



US00D676423S

(12) **United States Design Patent**
Joseph

(10) **Patent No.:** **US D676,423 S**

(45) **Date of Patent:** **** Feb. 19, 2013**

- (54) **BLUETOOTH SPEAKER SYSTEM**
- (75) Inventor: **Brian Joseph**, Brooklyn, NY (US)
- (73) Assignee: **SDI Technologies, Inc.**, Rahway, NJ (US)
- (**) Term: **14 Years**
- (21) Appl. No.: **29/399,781**
- (22) Filed: **Aug. 18, 2011**
- (51) **LOC (9) Cl.** **14-03**
- (52) **U.S. Cl.** **D14/216**
- (58) **Field of Classification Search** D14/172, D14/204, 207, 210–216; 181/143, 144, 147, 181/148, 150, 153, 157, 198, 199; 381/300–303, 381/306, 332, 333, 336, 345, 361–364, 386–388
See application file for complete search history.

(56) **References Cited**

U.S. PATENT DOCUMENTS

D203,003 S *	11/1965	Spencer	D14/172
3,385,929 A *	5/1968	Magyar et al.	381/300
D222,072 S *	9/1971	Levitt	D14/211
D315,562 S *	3/1991	Brown	D14/213
D460,952 S *	7/2002	Kataoka	D14/126
D488,166 S *	4/2004	Daniels	D14/496
D533,537 S *	12/2006	Reardon et al.	D14/172

D552,054 S *	10/2007	Pena Angarita	D14/498
D572,236 S *	7/2008	Oxford et al.	D14/211
D573,135 S *	7/2008	Laituri et al.	D14/216
D636,760 S *	4/2011	Cheng	D14/216
D641,730 S *	7/2011	Oota	D14/216

* cited by examiner

Primary Examiner — Keli L Hill

(74) *Attorney, Agent, or Firm* — Ostrolenk Faber LLP

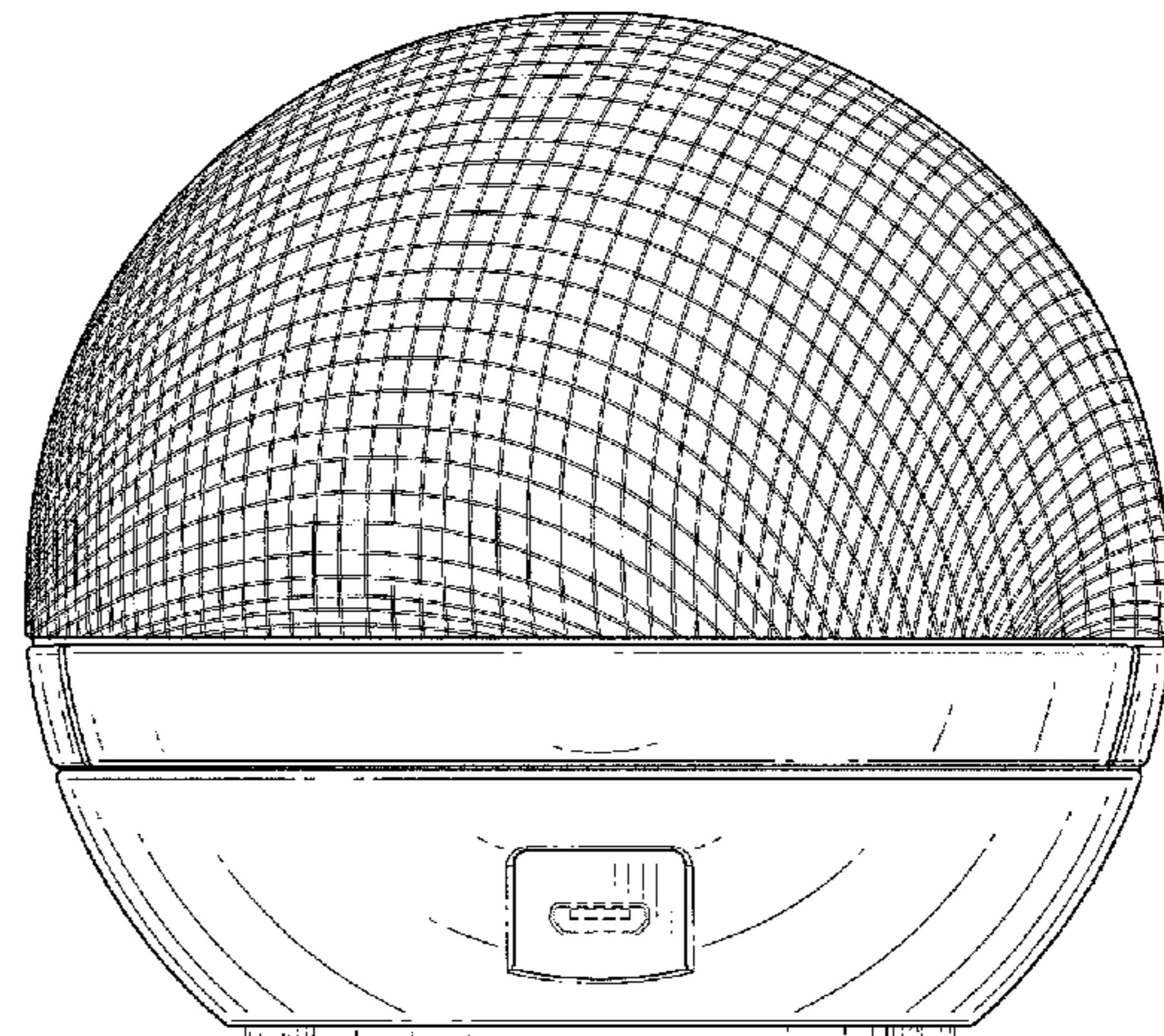
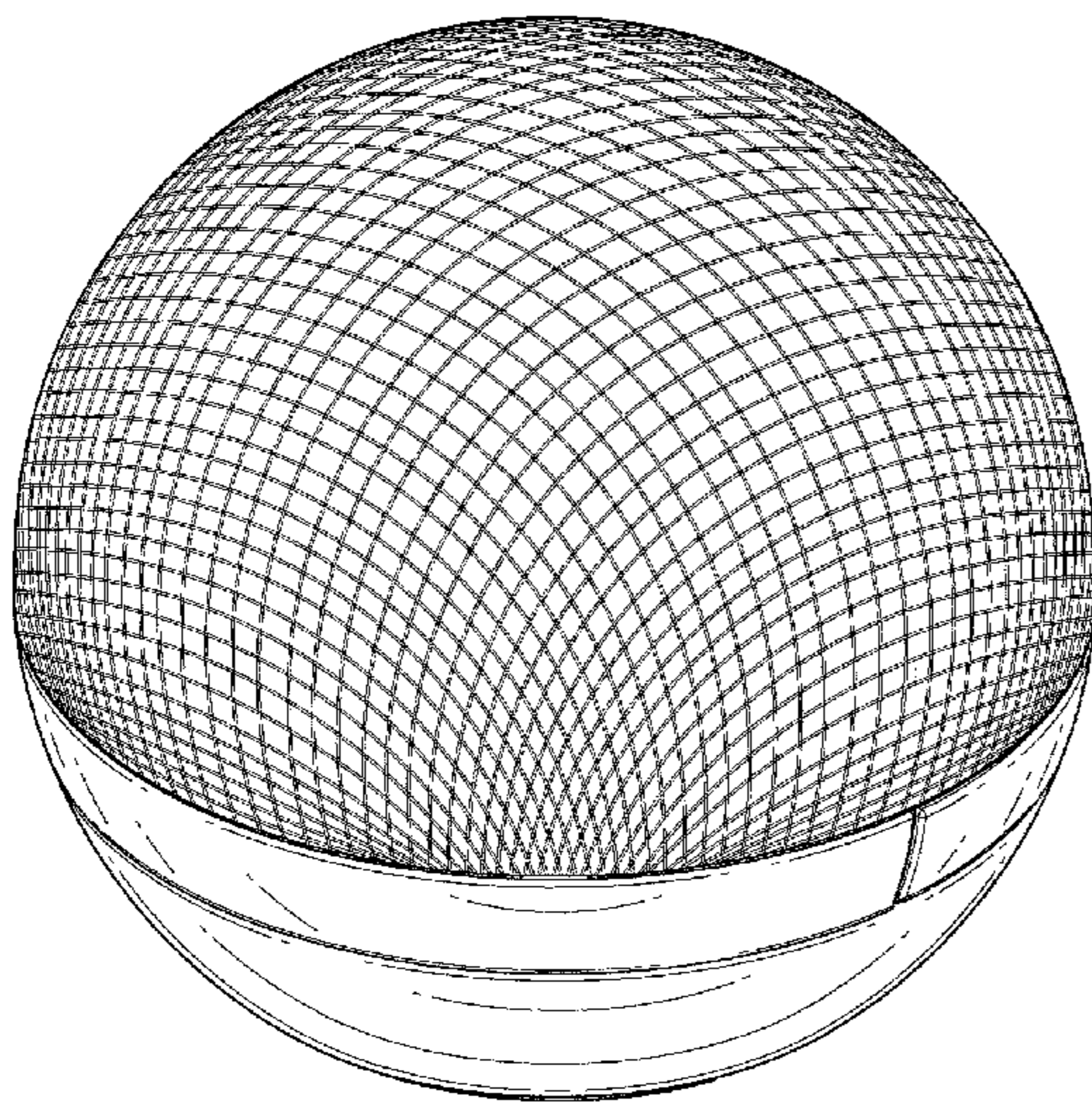
(57) **CLAIM**

The ornamental design for a bluetooth speaker system, as shown and described.

DESCRIPTION

FIG. 1 is a front perspective view of a bluetooth speaker system showing my new design;
 FIG. 2 is a front view thereof;
 FIG. 3 is a rear view thereof;
 FIG. 4 is a top view thereof;
 FIG. 5 is a bottom view thereof;
 FIG. 6 is a side view thereof, the opposite side view being a mirror image; and,
 FIG. 7 is a cross-sectional view along line 7-7 in FIG. 2.
 The broken lines in the drawings illustrate environmental material that forms no part of the claimed design.

1 Claim, 7 Drawing Sheets



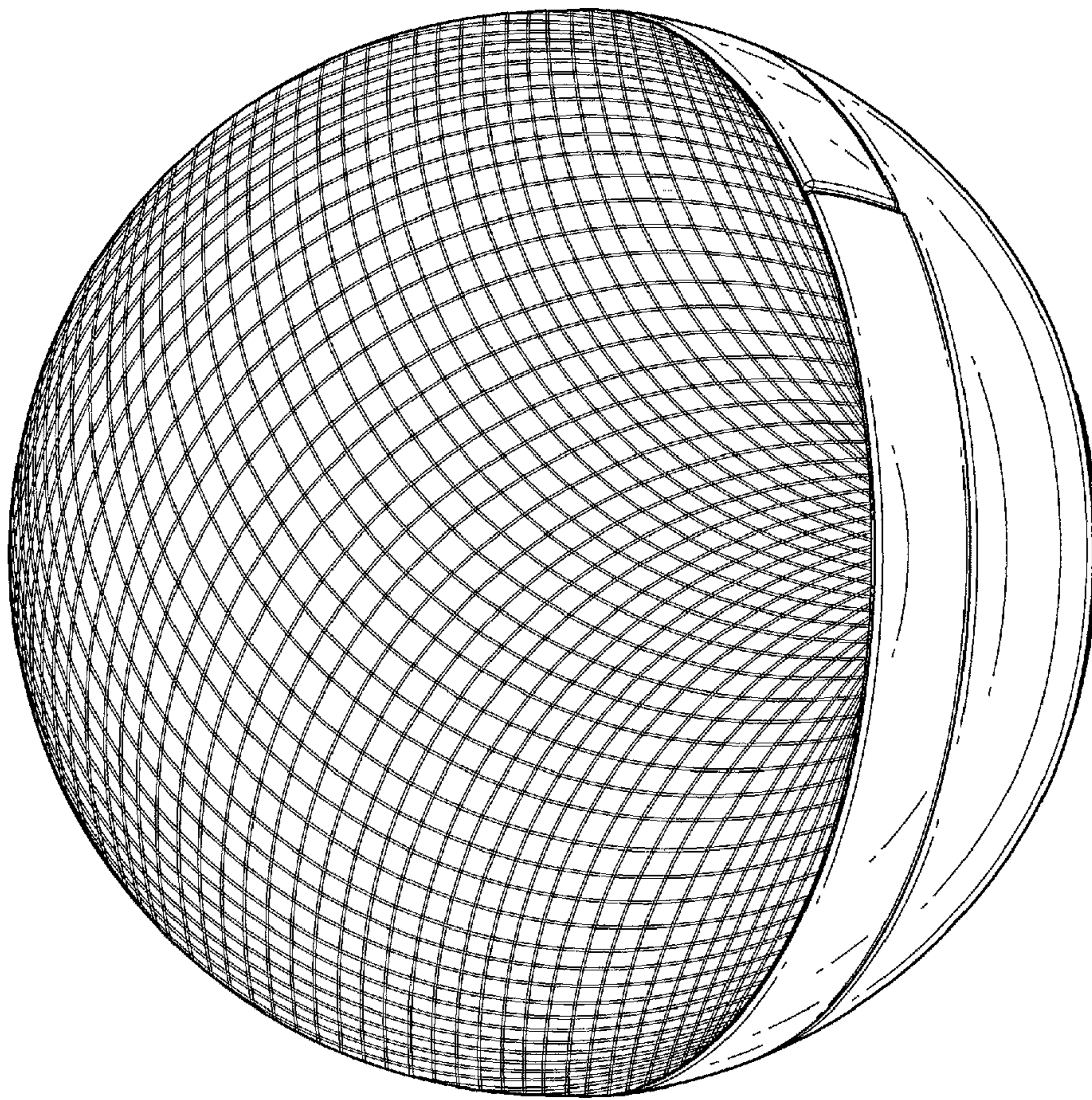


FIG. 1

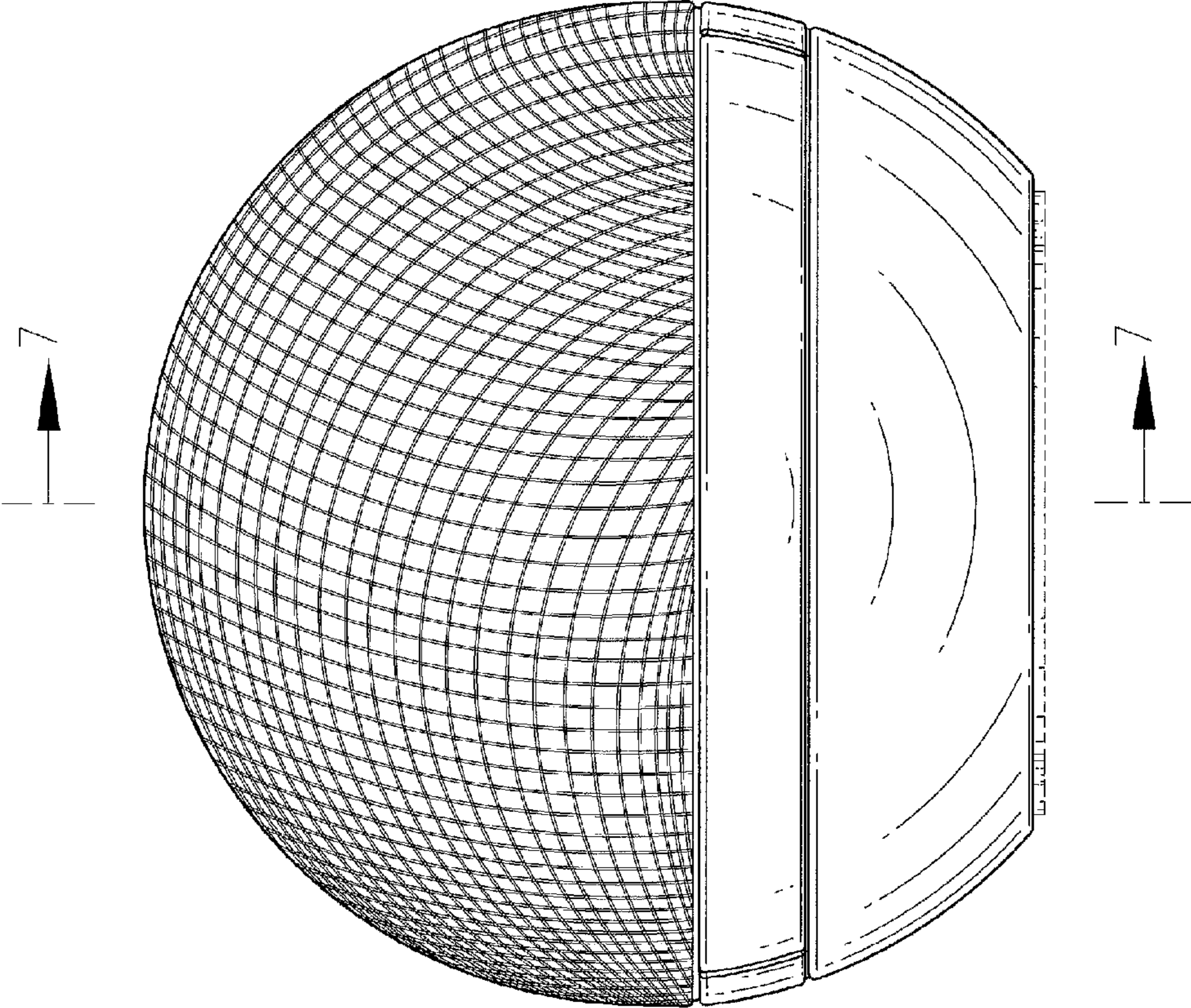


FIG. 2

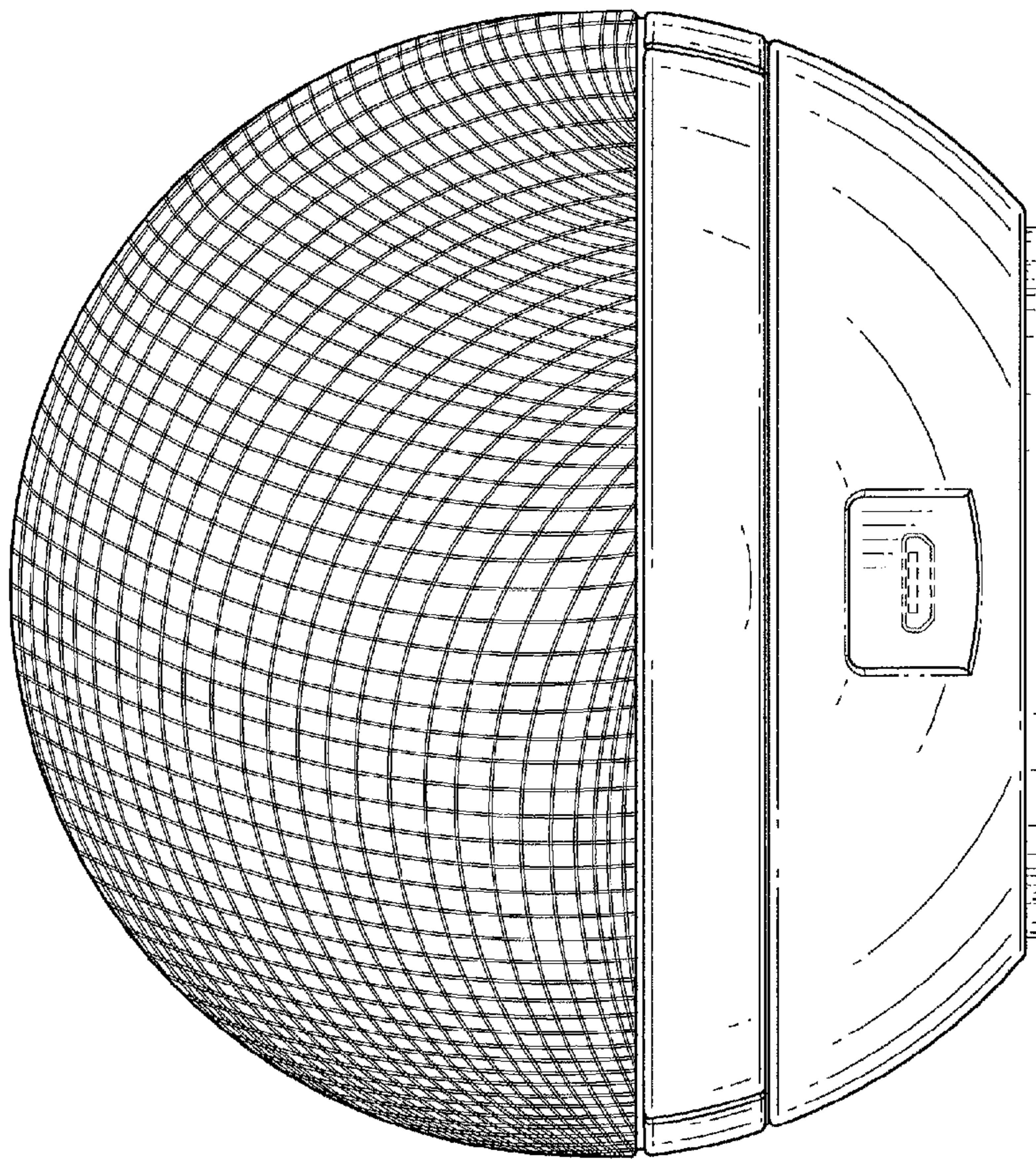


FIG. 3

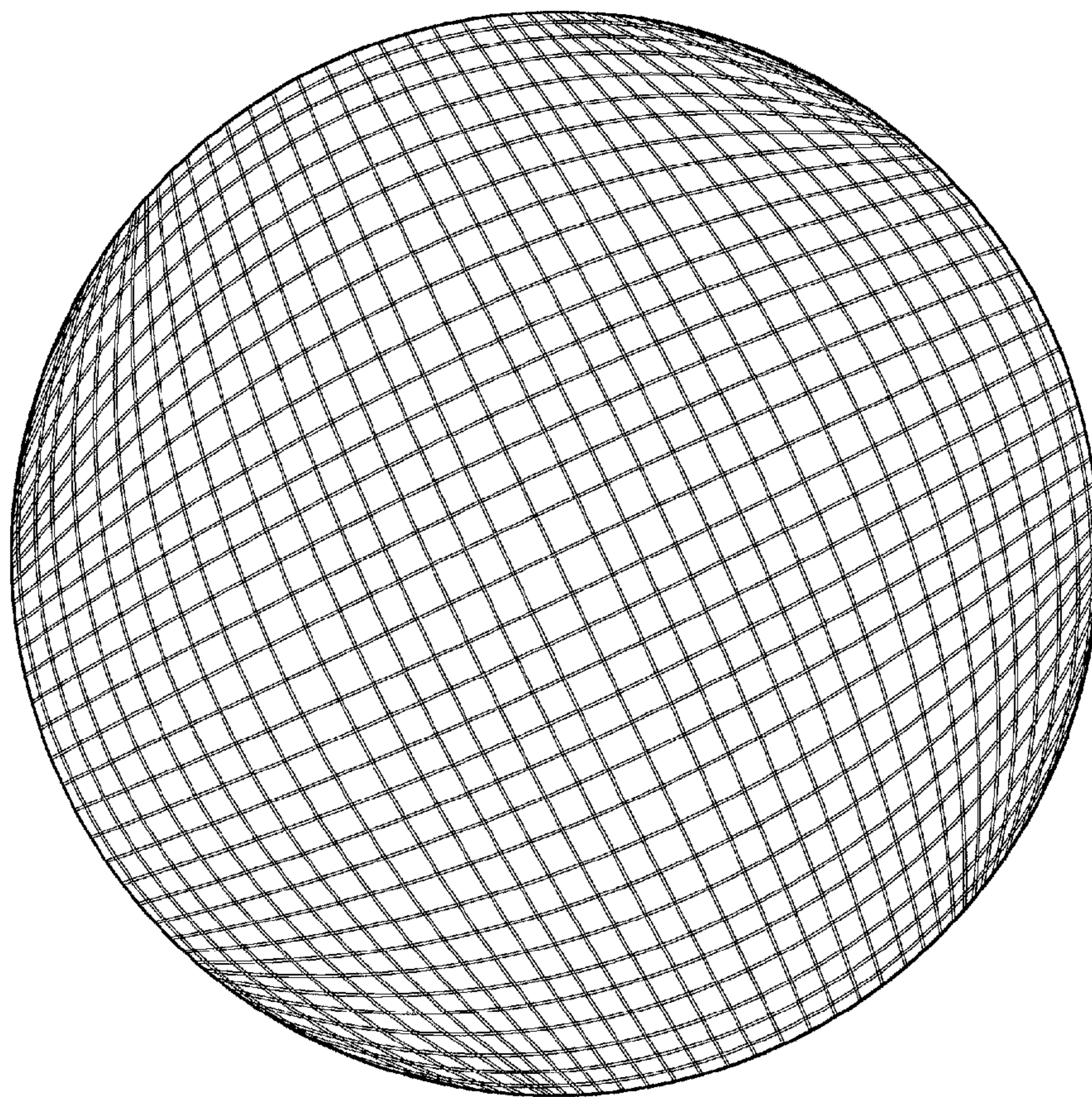


FIG. 4

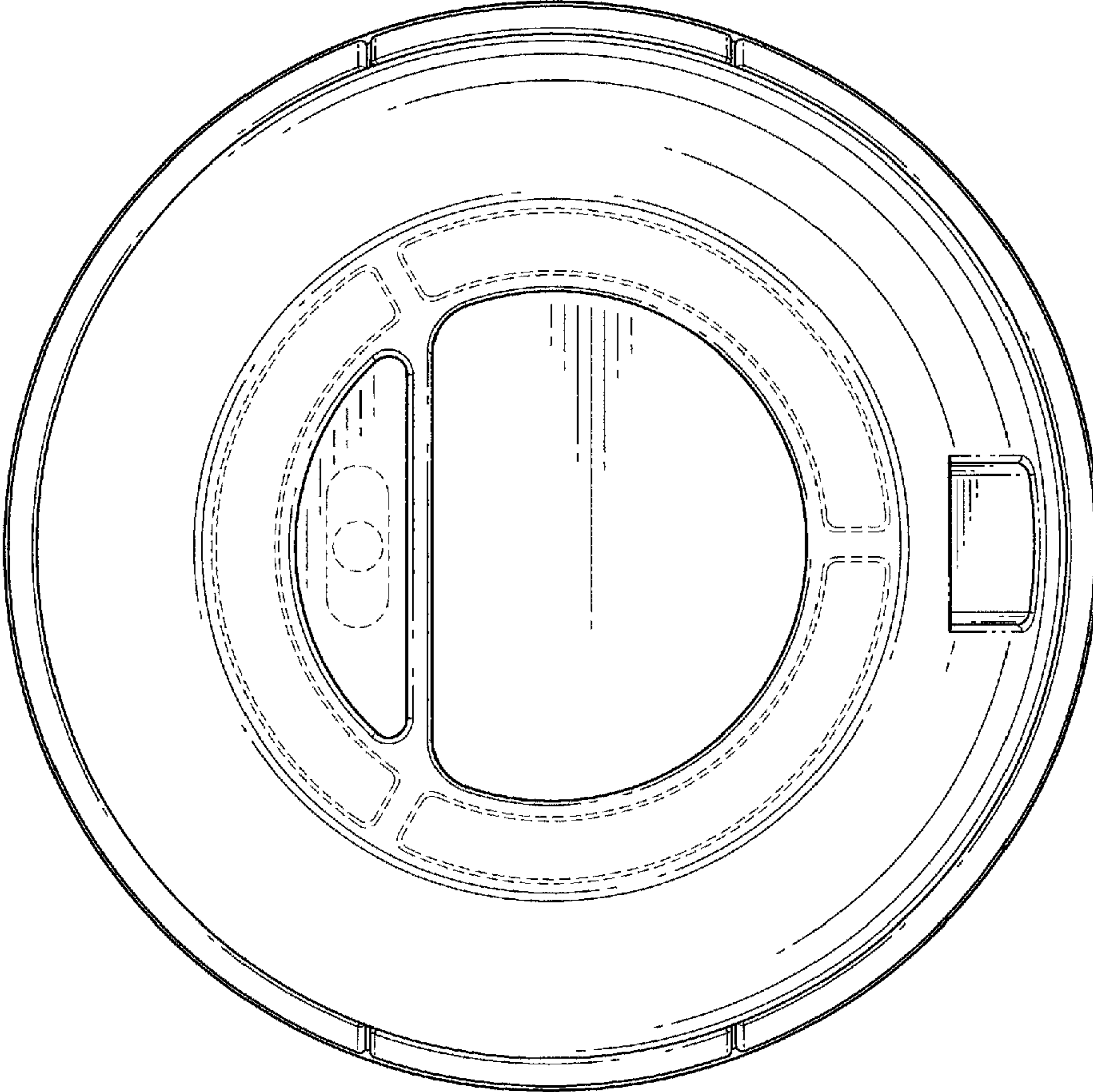


FIG. 5

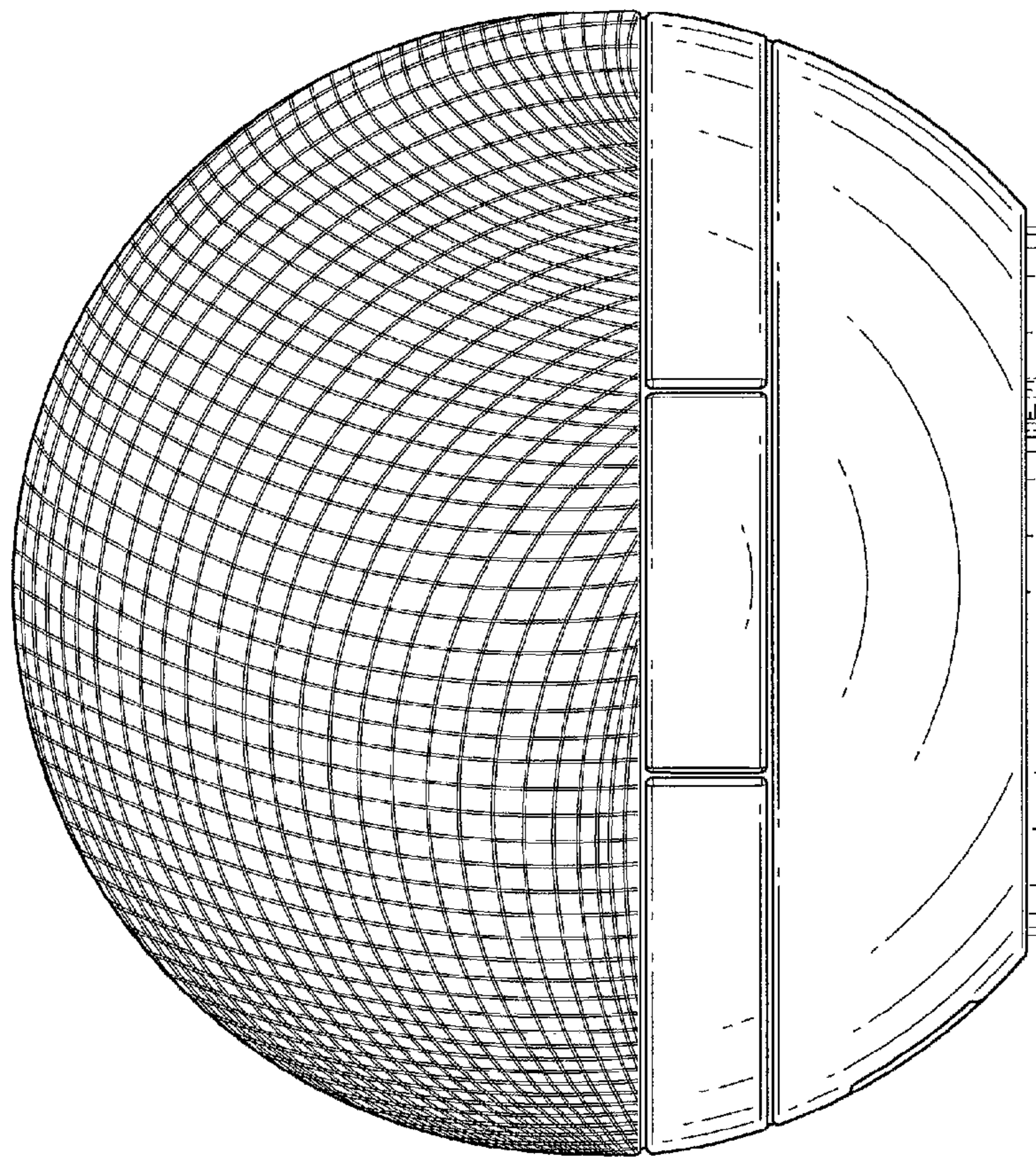


FIG. 6

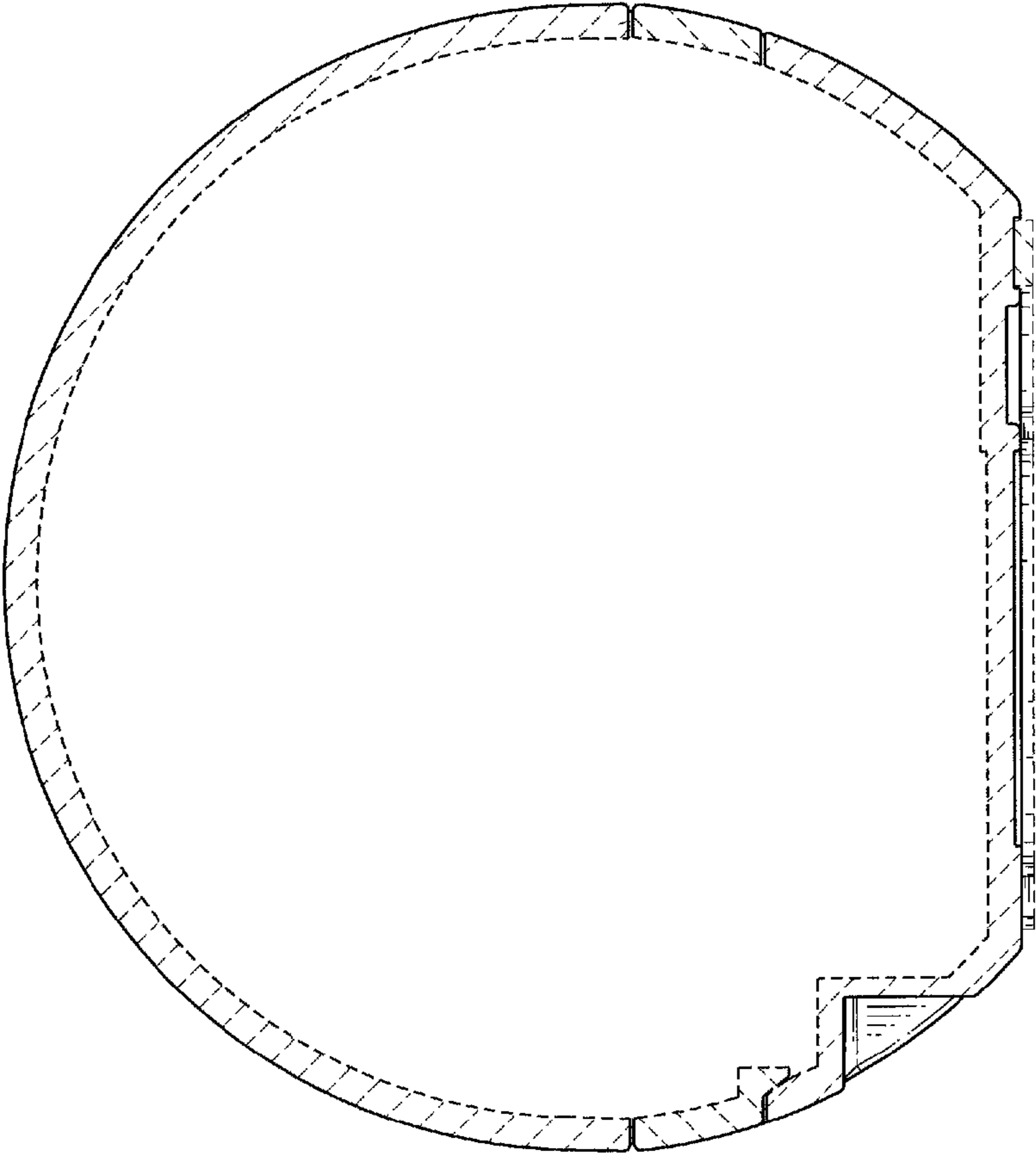


FIG. 7