



US00D676422S

(12) **United States Design Patent**
Onoue

(10) **Patent No.:** **US D676,422 S**

(45) **Date of Patent:** **** Feb. 19, 2013**

(54) **SPEAKER BOX**

(75) Inventor: **Ryuta Onoue**, Nara (JP)

(73) Assignee: **Panasonic Corporation**, Osaka (JP)

(**) Term: **14 Years**

(21) Appl. No.: **29/408,924**

(22) Filed: **Dec. 19, 2011**

(51) **LOC (9) Cl.** **14-03**

(52) **U.S. Cl.** **D14/214**

(58) **Field of Classification Search** D14/167,
D14/172, 194-196, 204, 207, 209.1, 210-216,
D14/221, 222; 181/143, 144, 147, 148, 150,
181/153, 157, 198, 199; 381/300-303, 306,
381/332, 333, 336, 345, 361-364, 386-388

See application file for complete search history.

(56) **References Cited**

U.S. PATENT DOCUMENTS

D319,242 S *	8/1991	Furuno	D14/204
D368,710 S *	4/1996	Althans	D14/128
D451,494 S *	12/2001	Oikawa	D14/214
D496,349 S *	9/2004	Allen	D14/211
D512,987 S	12/2005	Tsuge		
D522,492 S *	6/2006	Carbone	D14/211

D522,493 S *	6/2006	Tanaka et al.	D14/214
D562,802 S *	2/2008	Kim et al.	D14/211
D645,448 S *	9/2011	Kim et al.	D14/211

FOREIGN PATENT DOCUMENTS

EM	000075528-0026	8/2003
JP	D1376106	12/2009

* cited by examiner

Primary Examiner — Stella Reid

Assistant Examiner — Keli L Hill

(74) *Attorney, Agent, or Firm* — Brinks Hofer Gilson & Lione

(57) **CLAIM**

I claim the ornamental design for a speaker box, as shown and described.

DESCRIPTION

FIG. 1 is a top perspective view of a speaker box of the present invention;

FIG. 2 is a front view thereof;

FIG. 3 is a rear view thereof;

FIG. 4 is a first side view thereof;

FIG. 5 is a second side view thereof;

FIG. 6 is a top view thereof; and,

FIG. 7 is a bottom view thereof.

1 Claim, 7 Drawing Sheets

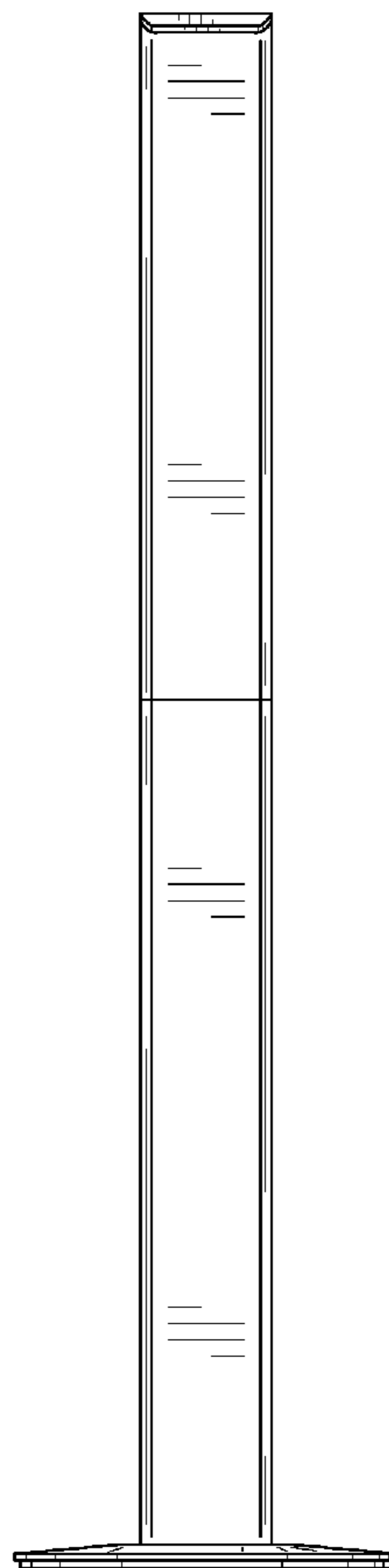
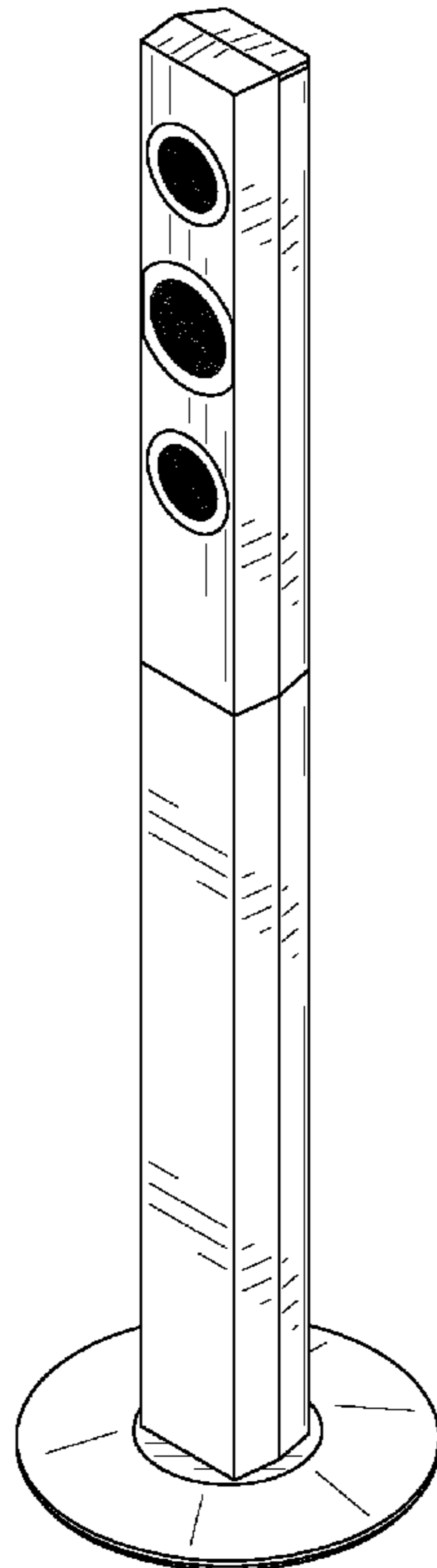


FIG.1

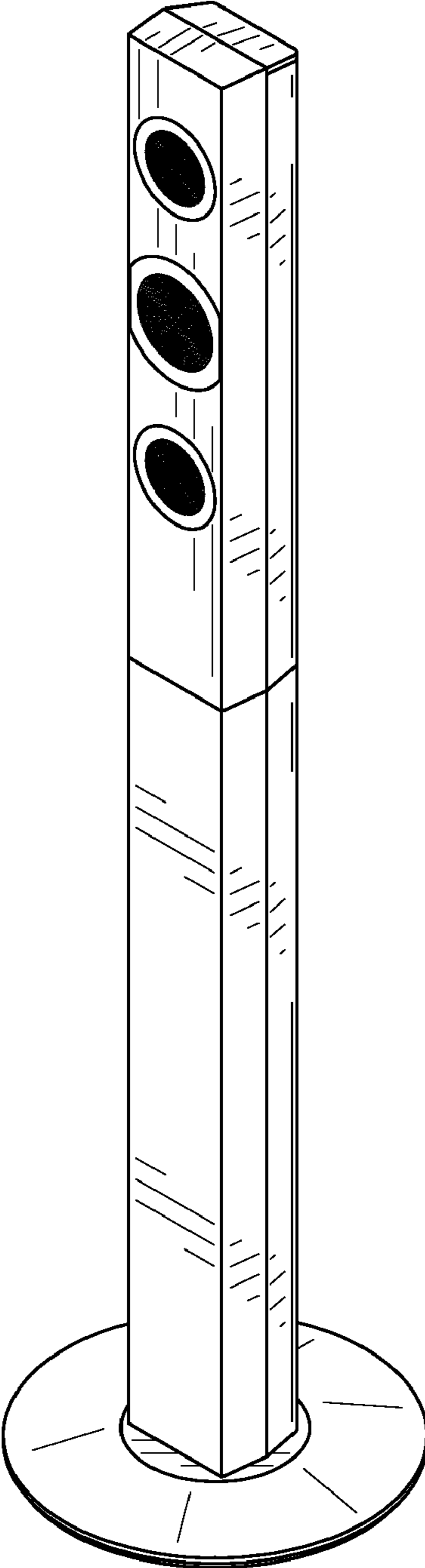


FIG.2

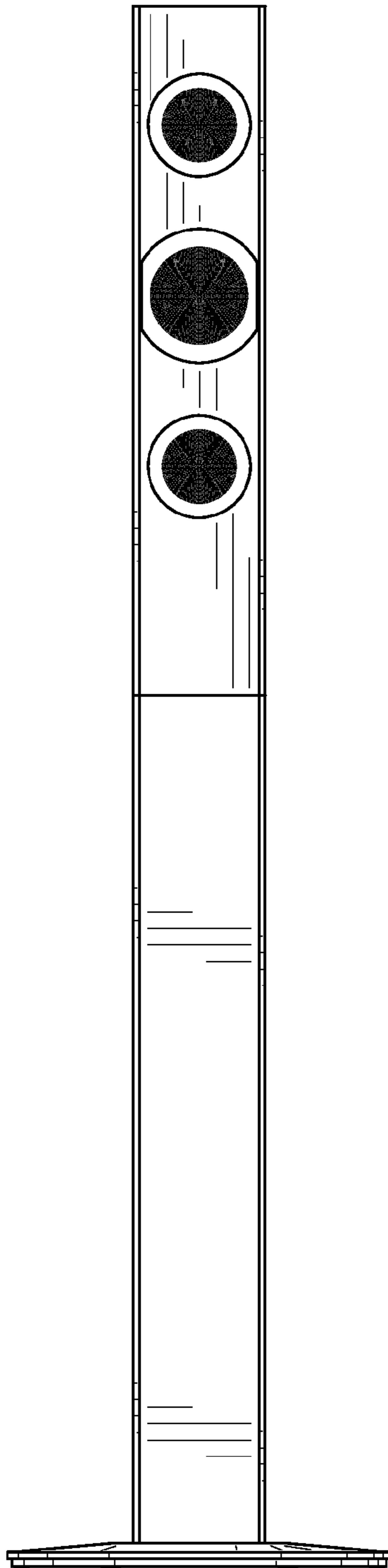


FIG.3

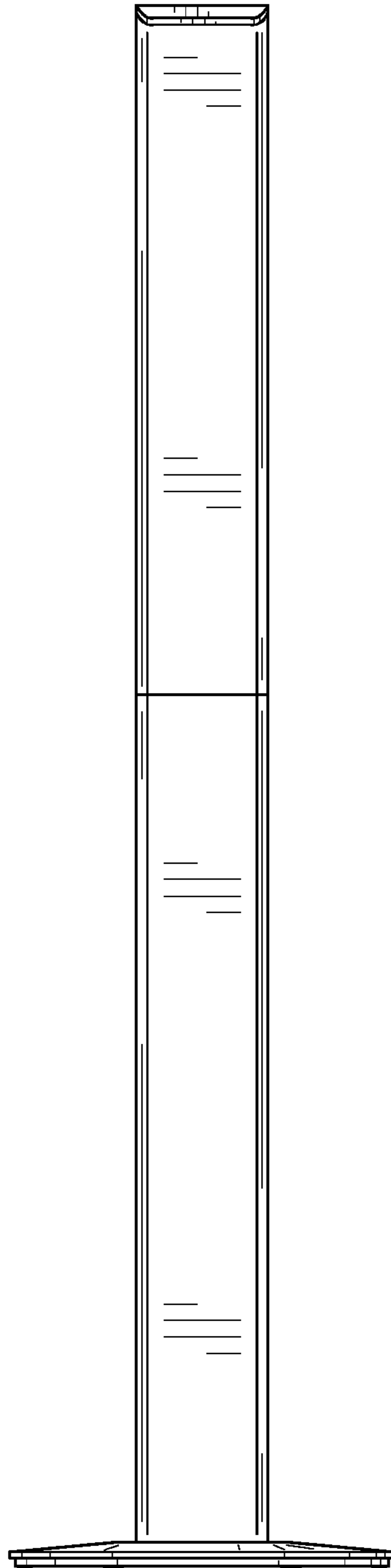


FIG.4

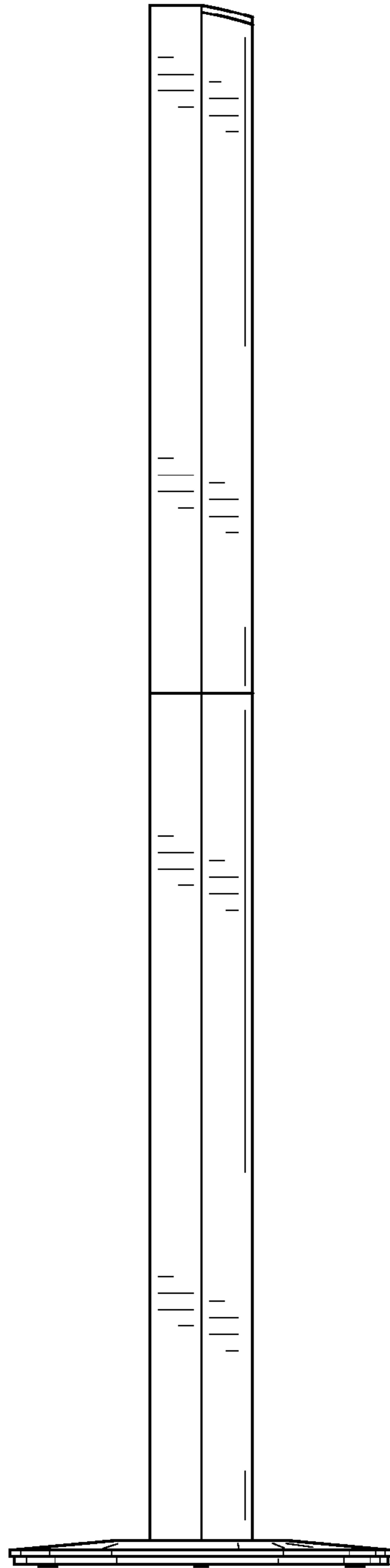


FIG.5

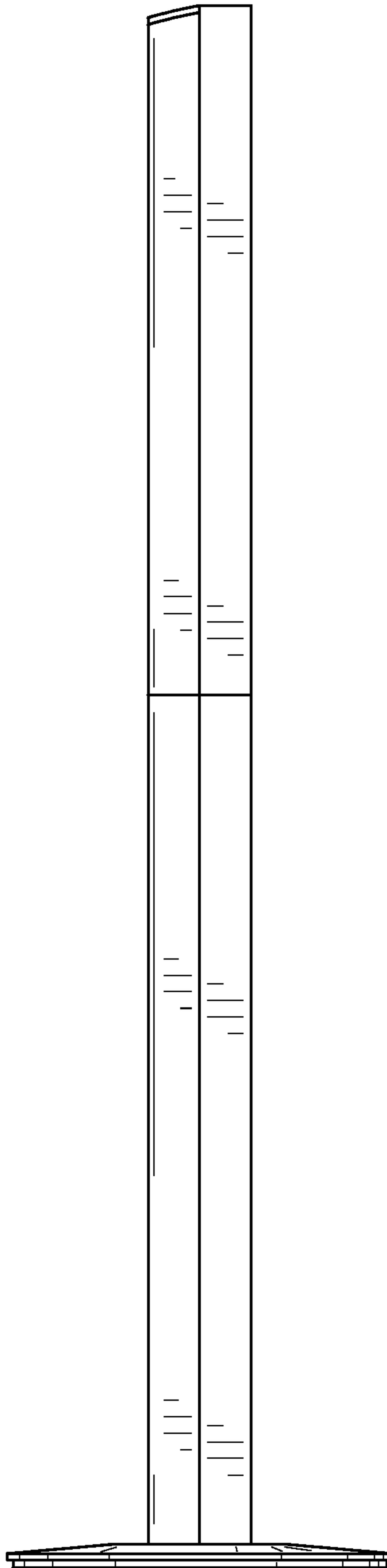


FIG.6

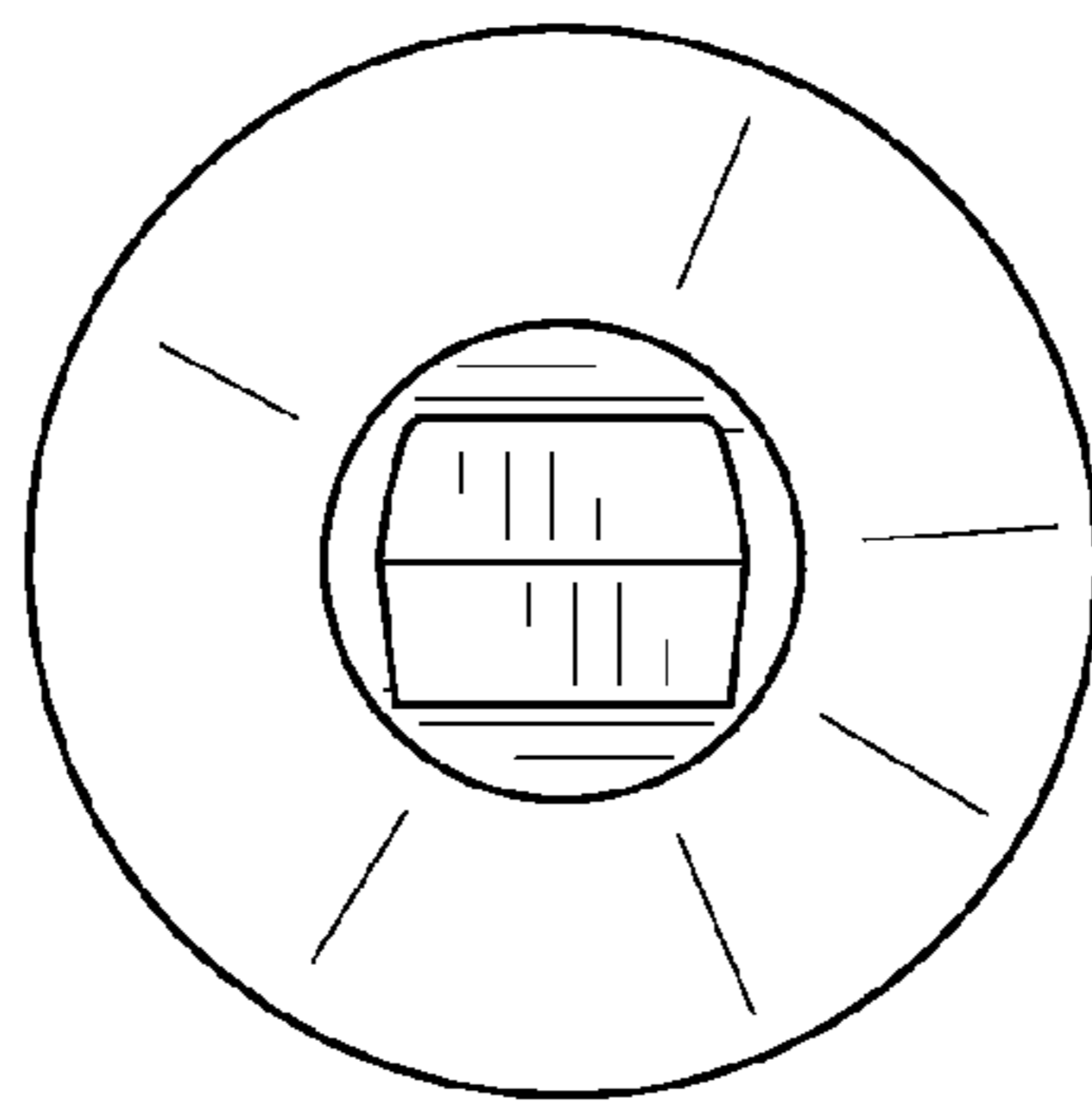


FIG. 7

