



US00D676421S

(12) **United States Design Patent**
Garrett

(10) **Patent No.:** **US D676,421 S**

(45) **Date of Patent:** **** Feb. 19, 2013**

(54) **BLUETOOTH SPEAKER**

(75) Inventor: **Jennifer Elizabeth Garrett**, Ardsley, PA
(US)

(73) Assignee: **SDI Technologies, Inc.**, Rahway, NJ
(US)

(**) Term: **14 Years**

(21) Appl. No.: **29/402,523**

(22) Filed: **Sep. 23, 2011**

(51) **LOC (9) Cl.** **14-03**

(52) **U.S. Cl.** **D14/214**

(58) **Field of Classification Search** D14/172,
D14/204, 207, 210–216; 181/143, 144, 147,
181/148, 150, 153, 157, 198, 199; 381/300–303,
381/306, 332, 333, 336, 345, 361–364, 386–388
See application file for complete search history.

(56) **References Cited**

U.S. PATENT DOCUMENTS

D230,489 S *	2/1974	Everitt	D14/214
D335,474 S *	5/1993	Patterson et al.	D8/68
D557,256 S *	12/2007	Joseph	D14/214
D586,780 S *	2/2009	Skurdal	D14/211
D612,837 S *	3/2010	Murray	D14/216
D626,938 S *	11/2010	Moore et al.	D14/214

D638,821 S *	5/2011	Hoehn et al.	D14/214
D644,204 S *	8/2011	Poandl	D14/215
D657,348 S *	4/2012	Shim et al.	D14/214

* cited by examiner

Primary Examiner — Keli L Hill

(74) *Attorney, Agent, or Firm* — Ostrolenk Faber LLP

(57) **CLAIM**

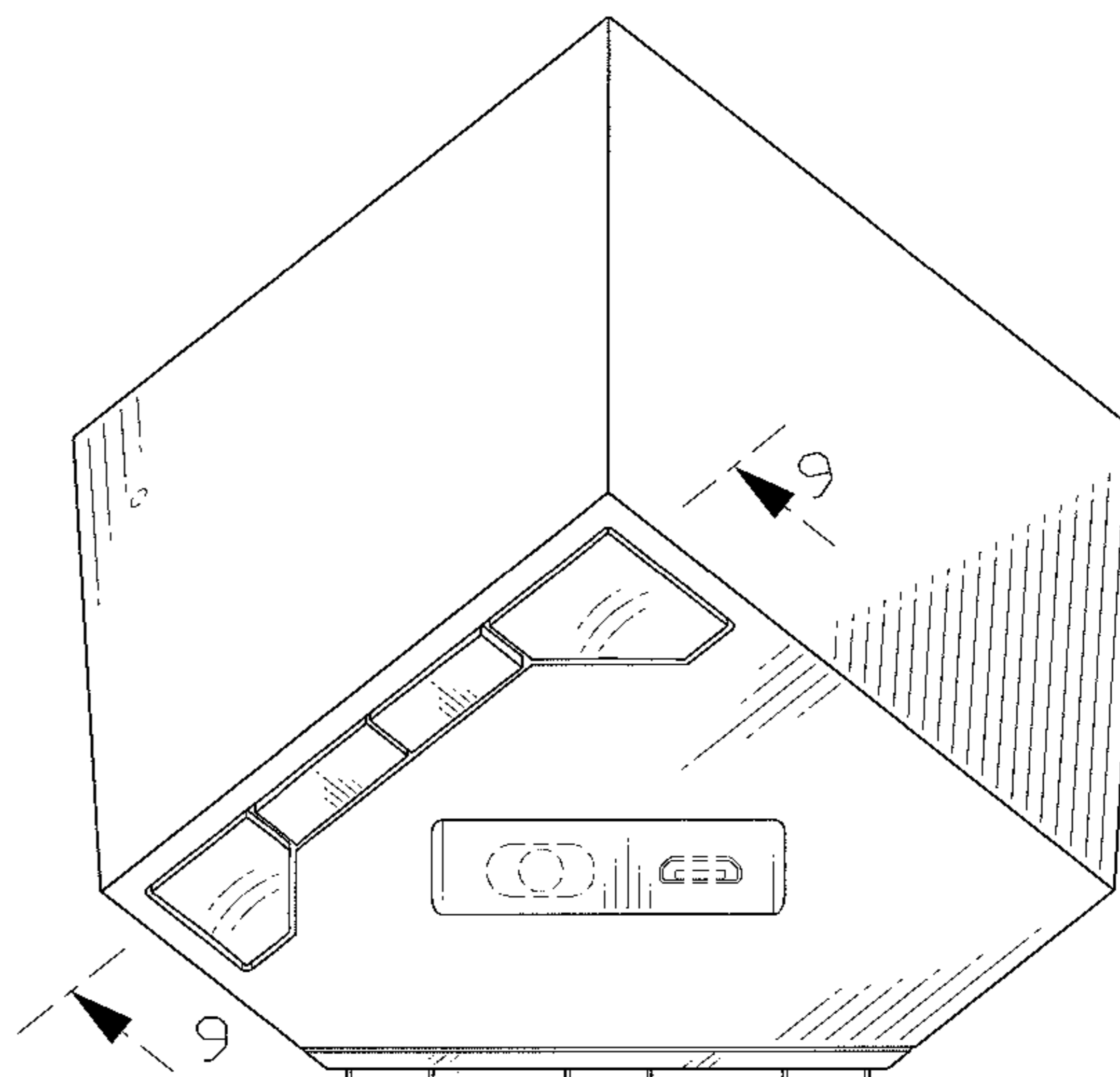
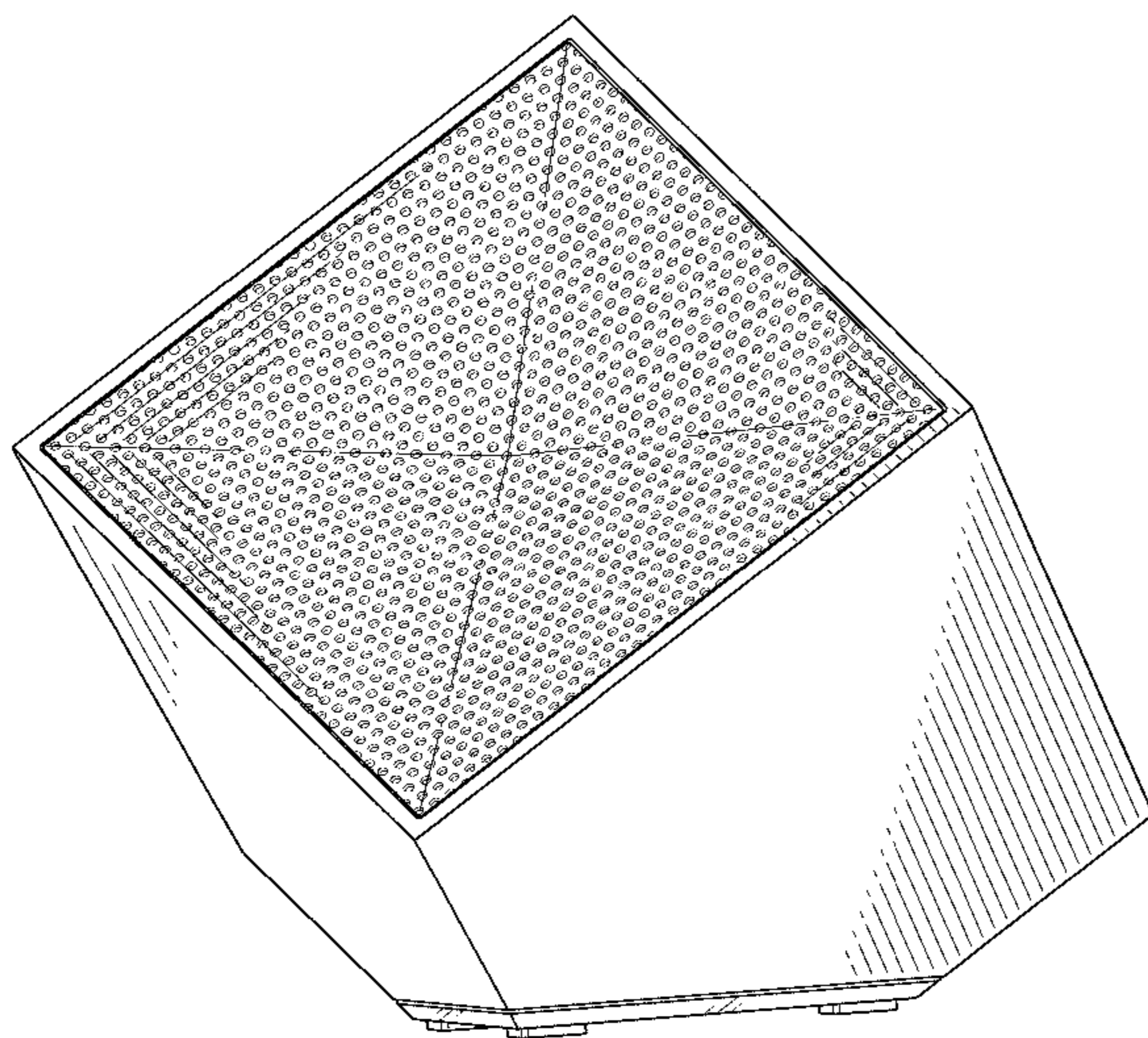
The ornamental design for a bluetooth speaker, as shown and described.

DESCRIPTION

FIG. 1 is a front, perspective view of a bluetooth speaker showing my new design;
 FIG. 2 is a rear, perspective view thereof;
 FIG. 3 is a front view thereof;
 FIG. 4 is a rear view thereof;
 FIG. 5 is a top view thereof;
 FIG. 6 is a bottom view thereof;
 FIG. 7 is a right side view thereof, the left side view being a mirror image;
 FIG. 8 is a cross-sectional view thereof along line 8-8 in FIG. 3; and,
 FIG. 9 is a cross-sectional view thereof along line 9-9 in FIG. 4.

The broken lines in the drawings illustrate environmental material that forms no part of the claimed design.

1 Claim, 9 Drawing Sheets



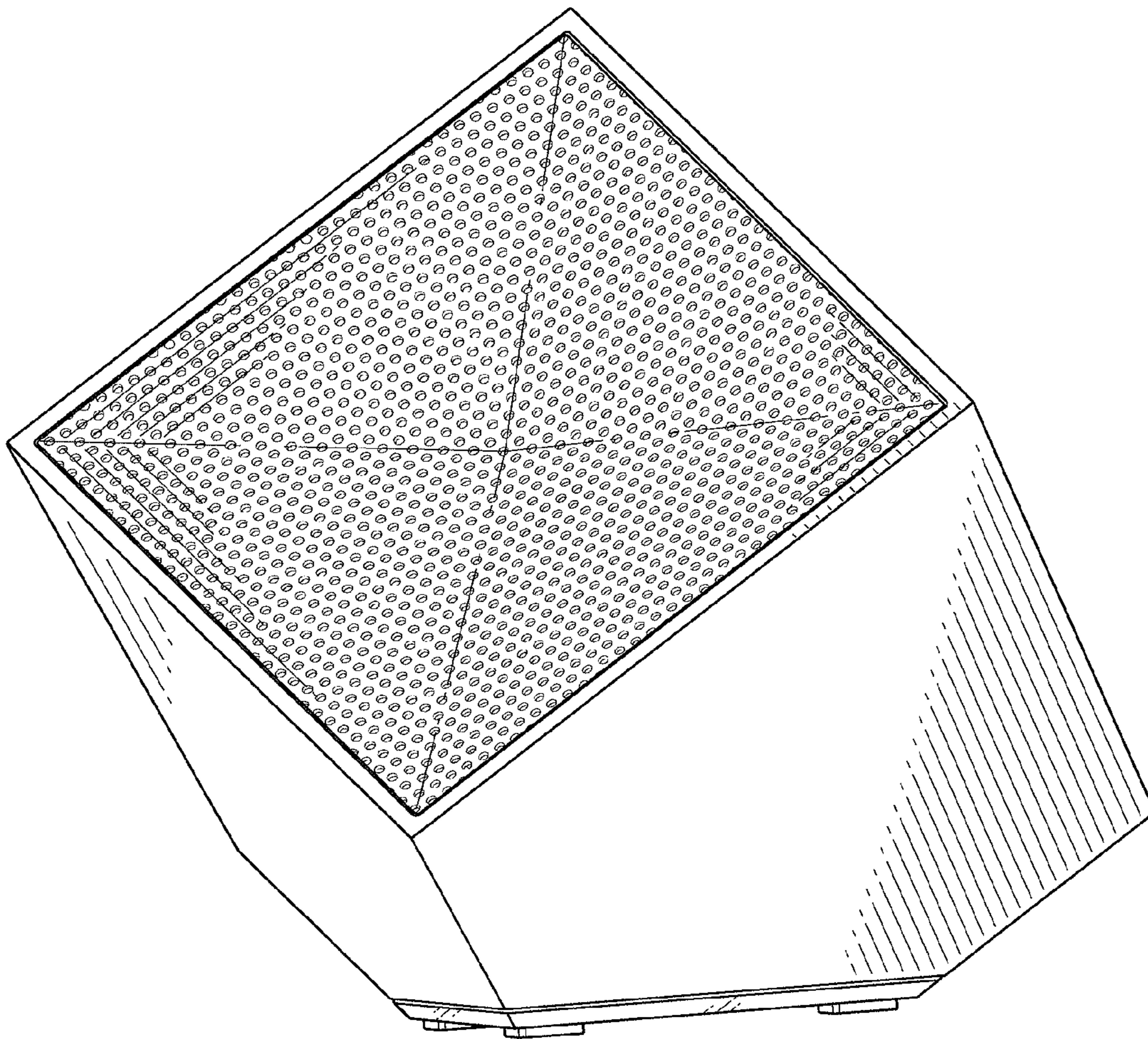


FIG. 1

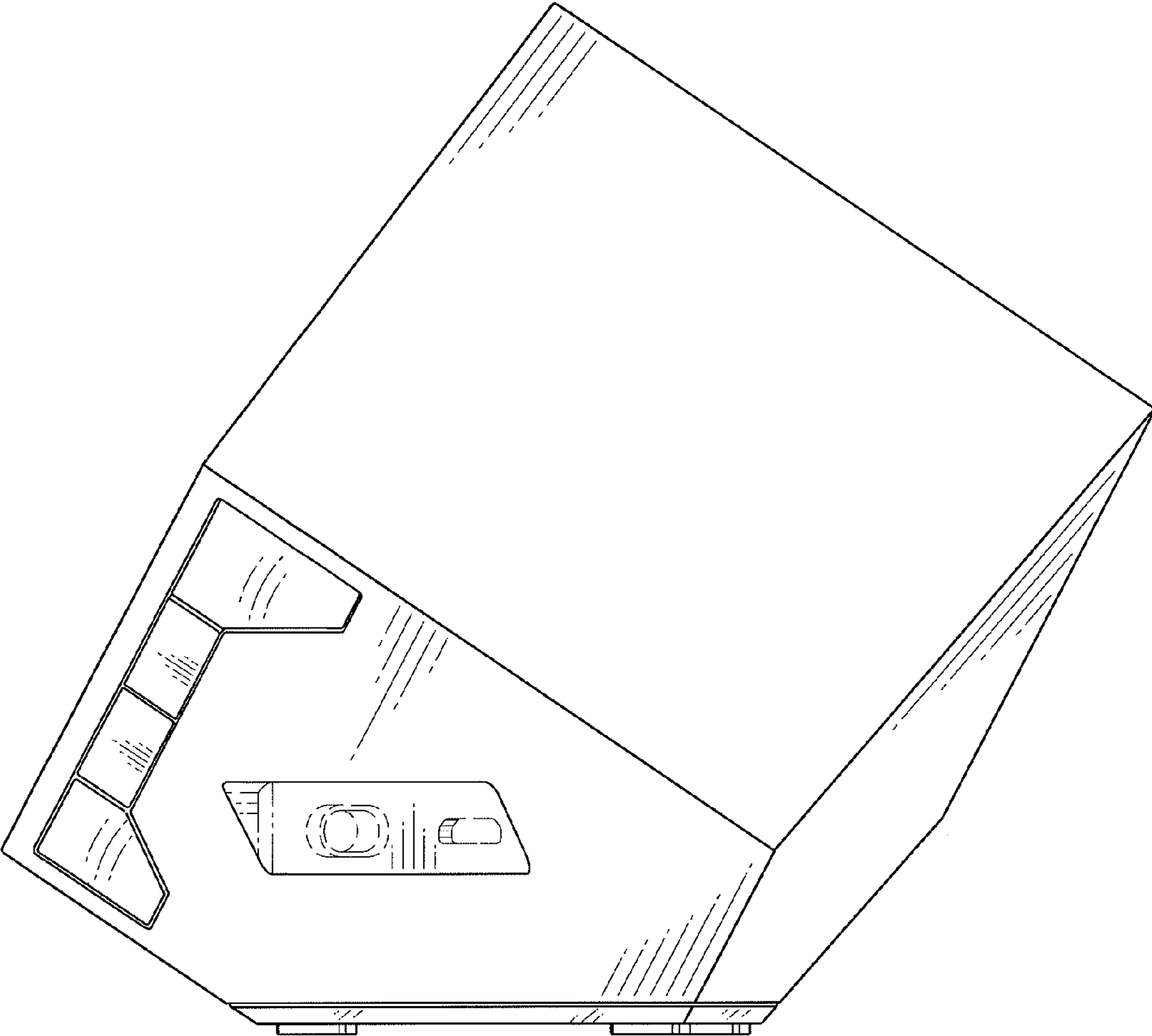


FIG. 2

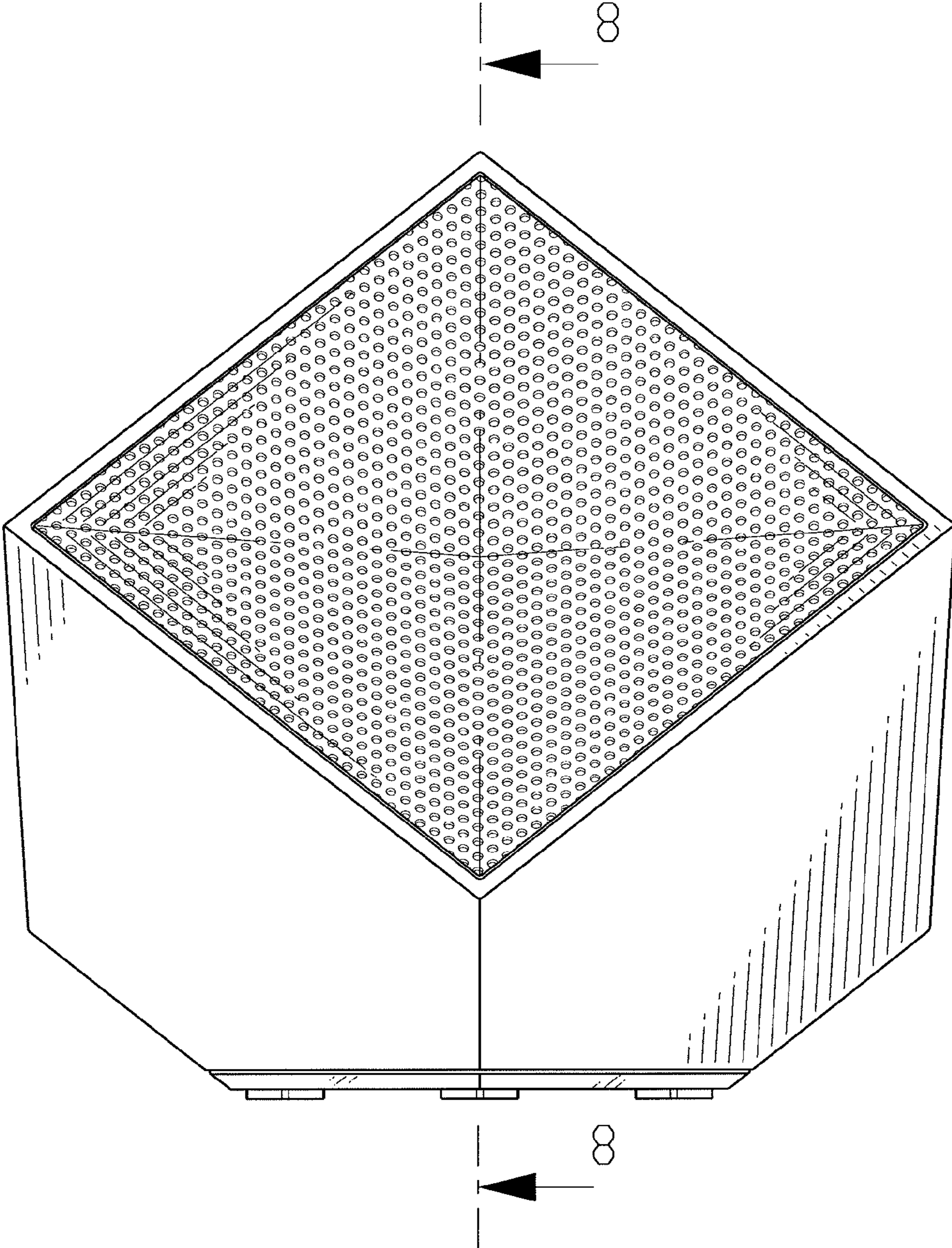


FIG. 3

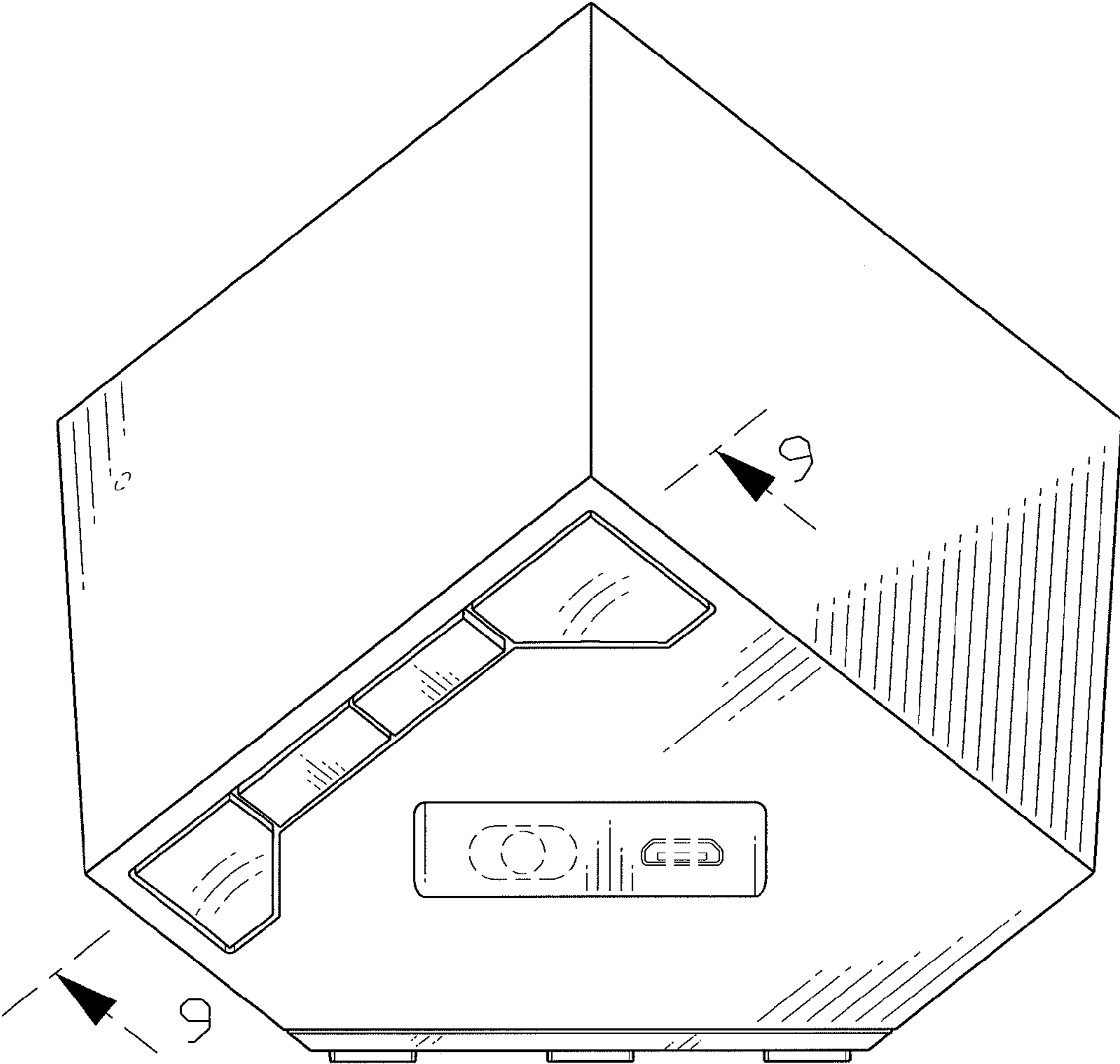


FIG. 4

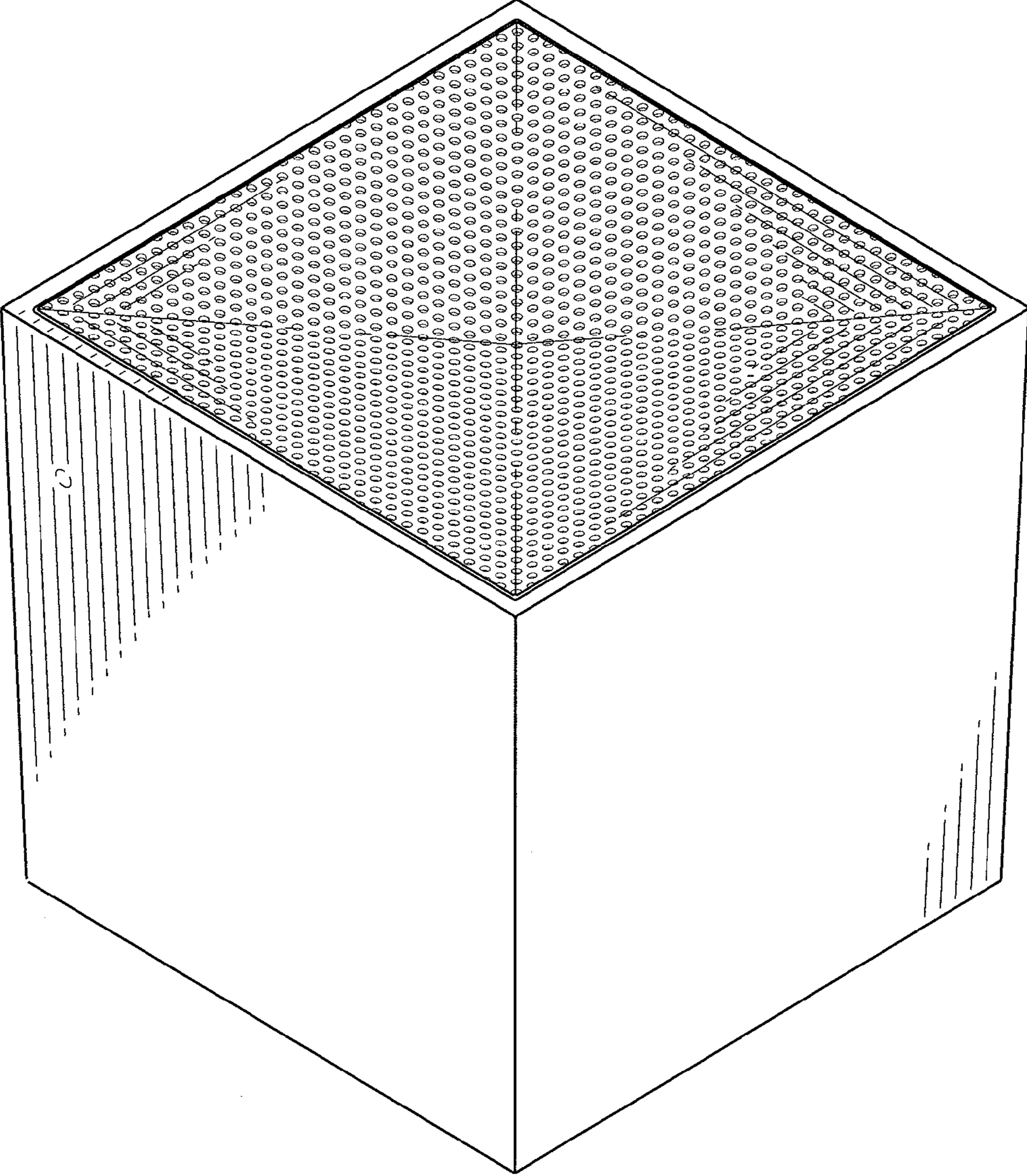


FIG. 5

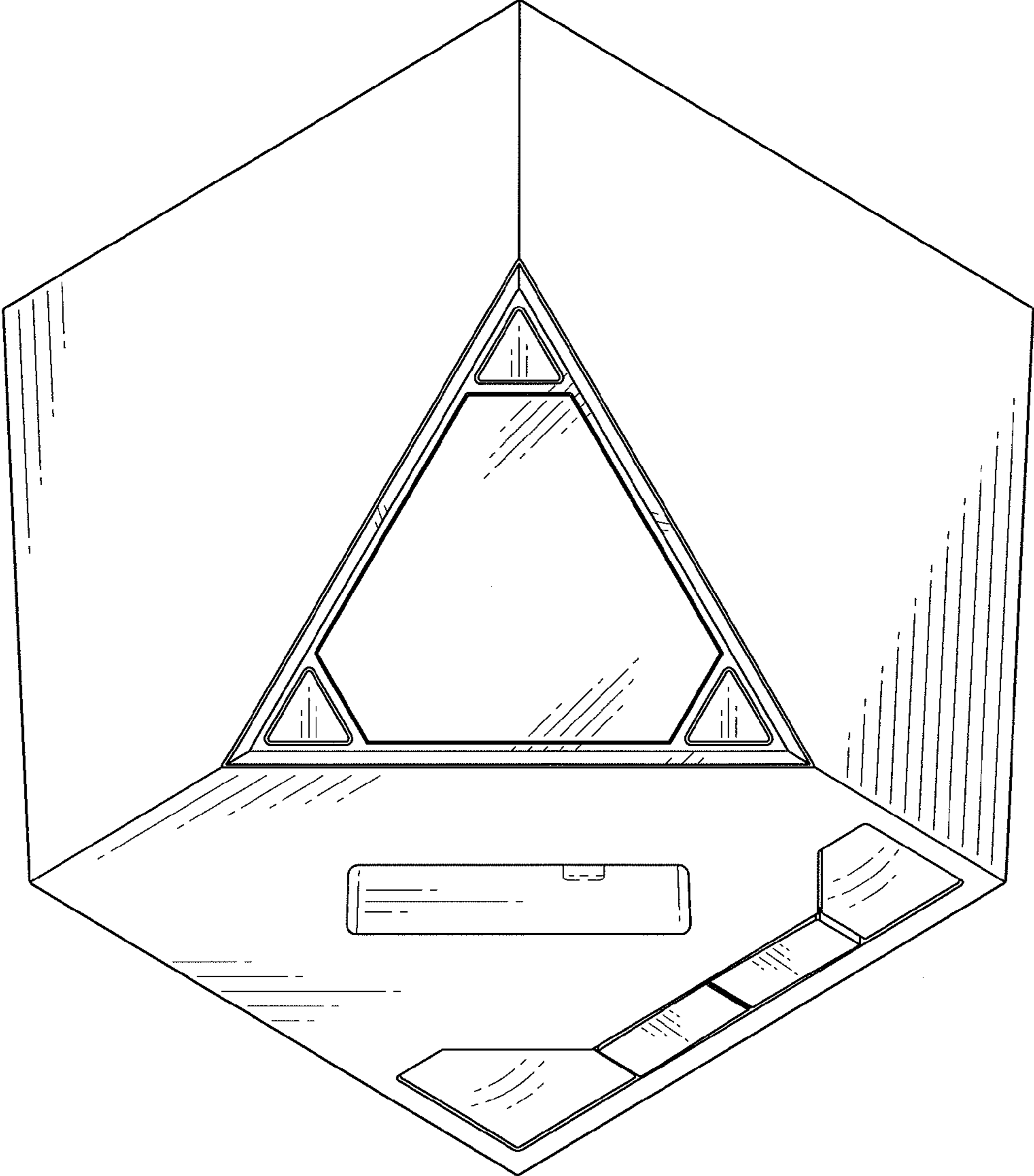


FIG. 6

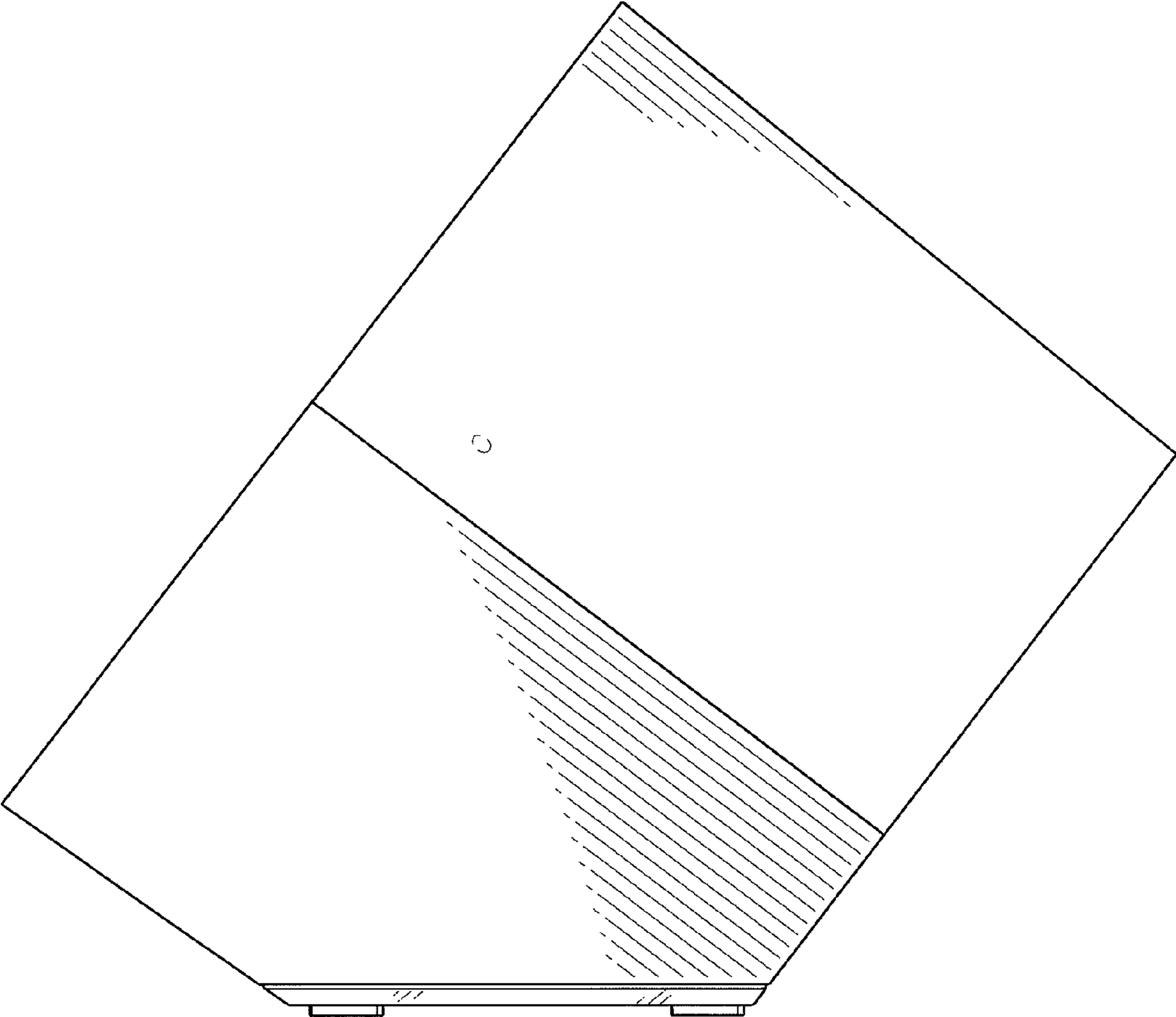


FIG. 7

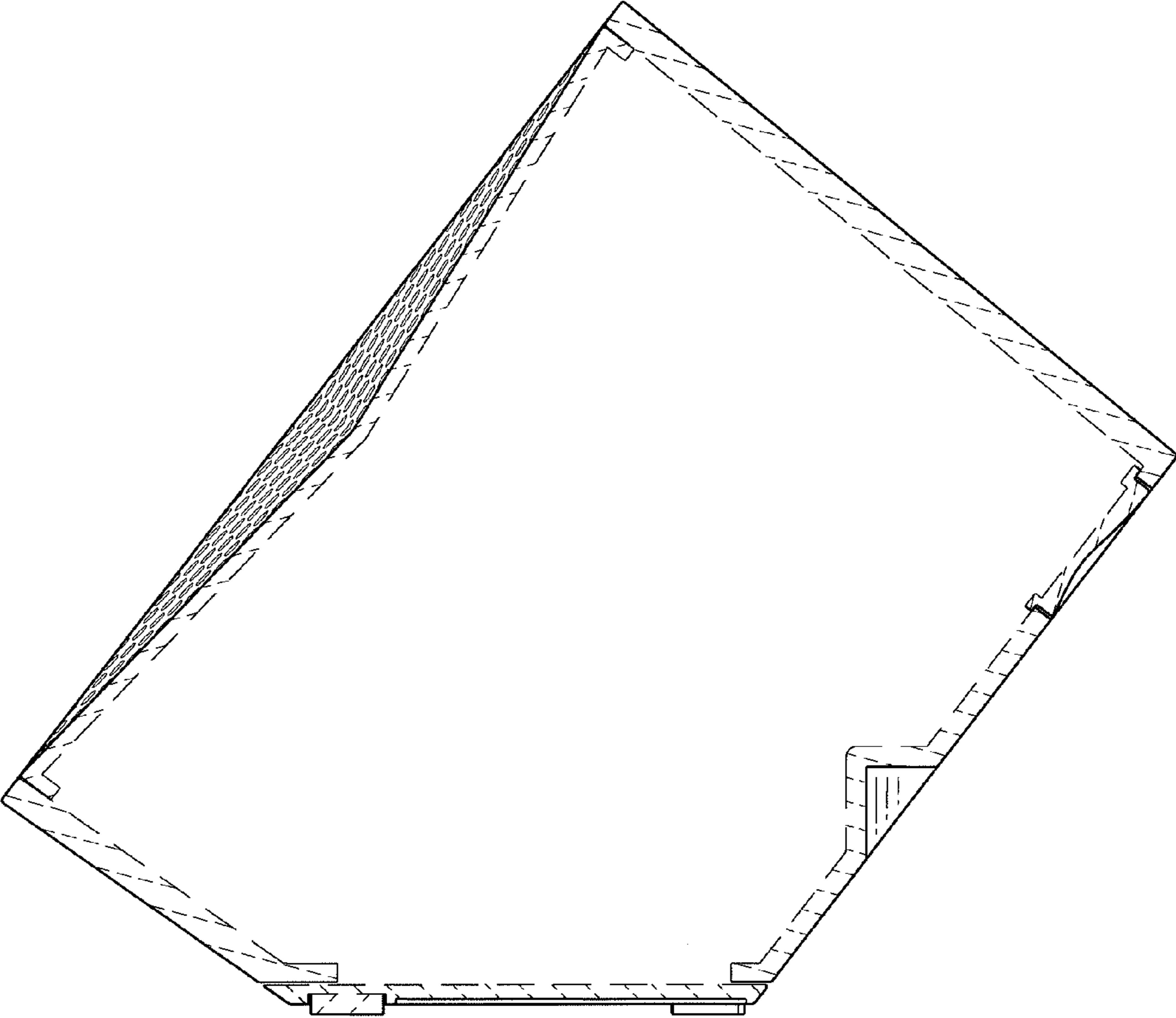


FIG. 8

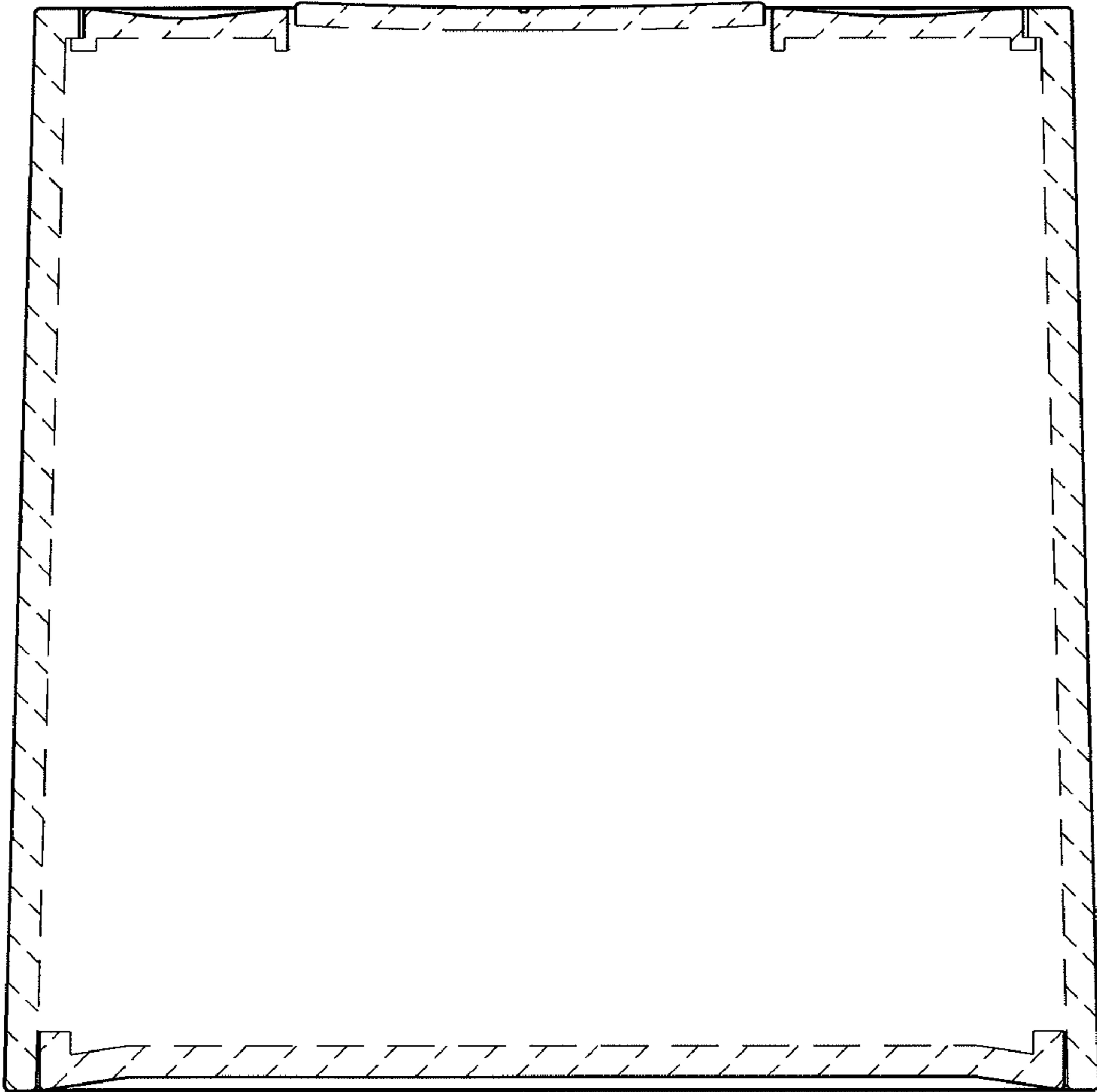


FIG. 9