



US00D676418S

(12) **United States Design Patent**  
**Suzuki**

(10) **Patent No.:** **US D676,418 S**

(45) **Date of Patent:** **\*\* Feb. 19, 2013**

(54) **SPEAKER BOX WITH AMPLIFIER**

(75) Inventor: **Tomohisa Suzuki**, Kawasaki (JP)

(73) Assignee: **Pioneer Corporation**, Kawasaki-shi,  
Kanagawa (JP)

(\*\*) Term: **14 Years**

(21) Appl. No.: **29/400,261**

(22) Filed: **Aug. 25, 2011**

(30) **Foreign Application Priority Data**

Mar. 31, 2011 (JP) ..... D2011-007420

(51) **LOC (9) Cl.** ..... **14-01**

(52) **U.S. Cl.** ..... **D14/209.1**

(58) **Field of Classification Search** ..... D14/204,  
D14/204.1, 210–216, 172; 181/143, 144,  
181/147, 148, 150–153, 157, 198, 199;  
381/300–306, 332, 333, 336, 345, 361–364  
See application file for complete search history.

(56) **References Cited**

**U.S. PATENT DOCUMENTS**

5,546,468 A \* 8/1996 Beard ..... 381/86  
D472,542 S \* 4/2003 Oikawa ..... D14/172  
6,968,068 B1 \* 11/2005 Amsel ..... 381/334  
7,689,197 B2 \* 3/2010 Laude et al. .... 455/344  
D618,214 S \* 6/2010 Wang et al. .... D14/209.1  
D620,921 S \* 8/2010 Skurdal ..... D14/209.1

D632,670 S \* 2/2011 Chow ..... D14/209.1  
D636,378 S \* 4/2011 Ohashi et al. .... D14/209.1  
D642,156 S \* 7/2011 Joseph ..... D14/209.1  
D645,156 S \* 9/2011 Reitze ..... D24/227  
D645,446 S \* 9/2011 Cheng et al. .... D14/209.1  
8,180,095 B2 \* 5/2012 Zhang ..... 381/387

\* cited by examiner

*Primary Examiner* — Prabhakar Deshmukh

(74) *Attorney, Agent, or Firm* — Drinker Biddle & Reath  
LLP

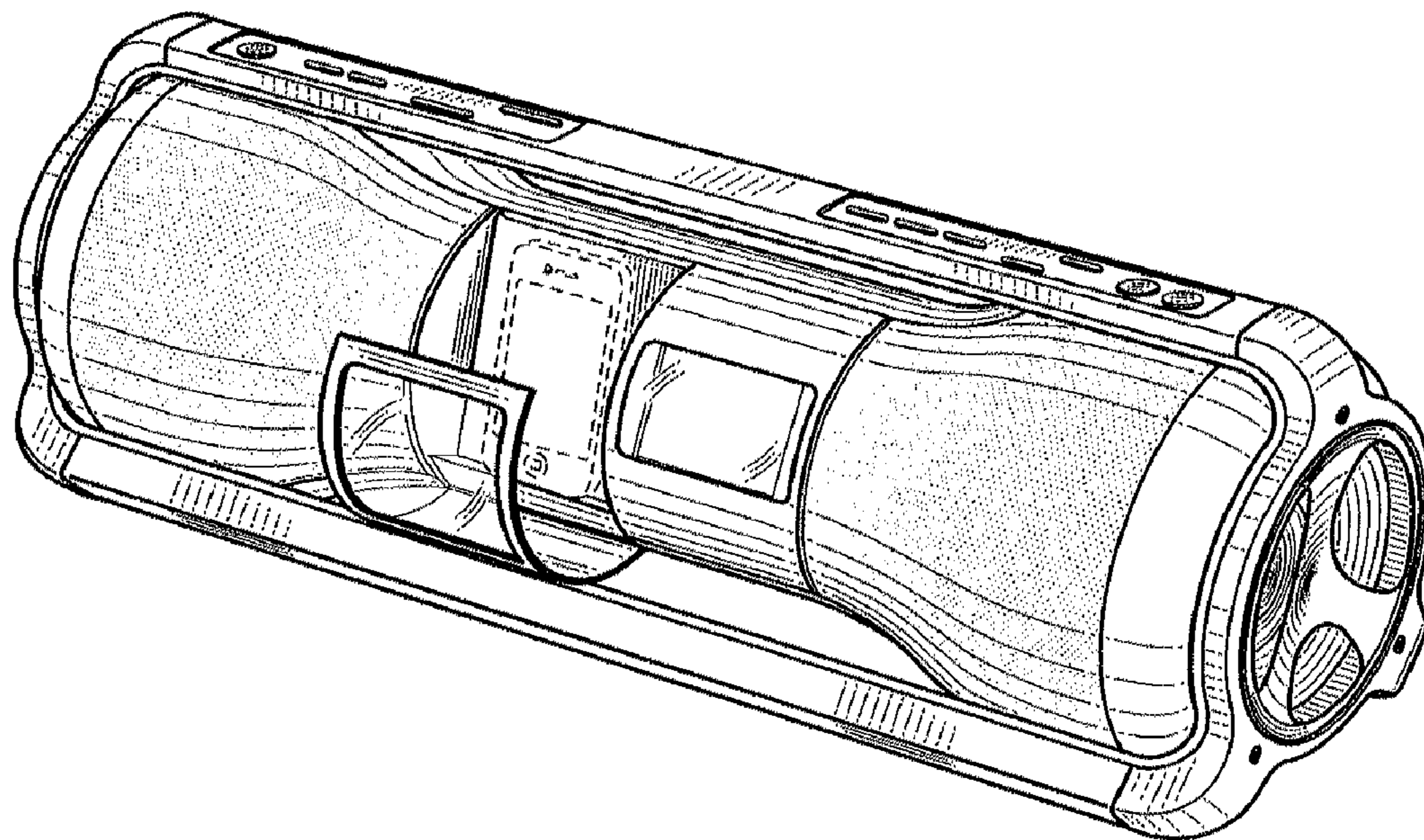
(57) **CLAIM**

The ornamental design for a speaker box with amplifier, as shown and described.

**DESCRIPTION**

FIG. 1 is a perspective view of the front, top and right side of a speaker box with amplifier showing my new design; FIG. 2 is a front view of thereof; FIG. 3 is a rear view thereof; FIG. 4 is a left side view thereof; FIG. 5 is a right side view thereof; FIG. 6 is a top plan view thereof; FIG. 7 is a bottom view thereof; and, FIG. 8 is a perspective view in usage. The portions shown in broken lines are for illustrative purposes only and form no part of the claimed design.

**1 Claim, 4 Drawing Sheets**



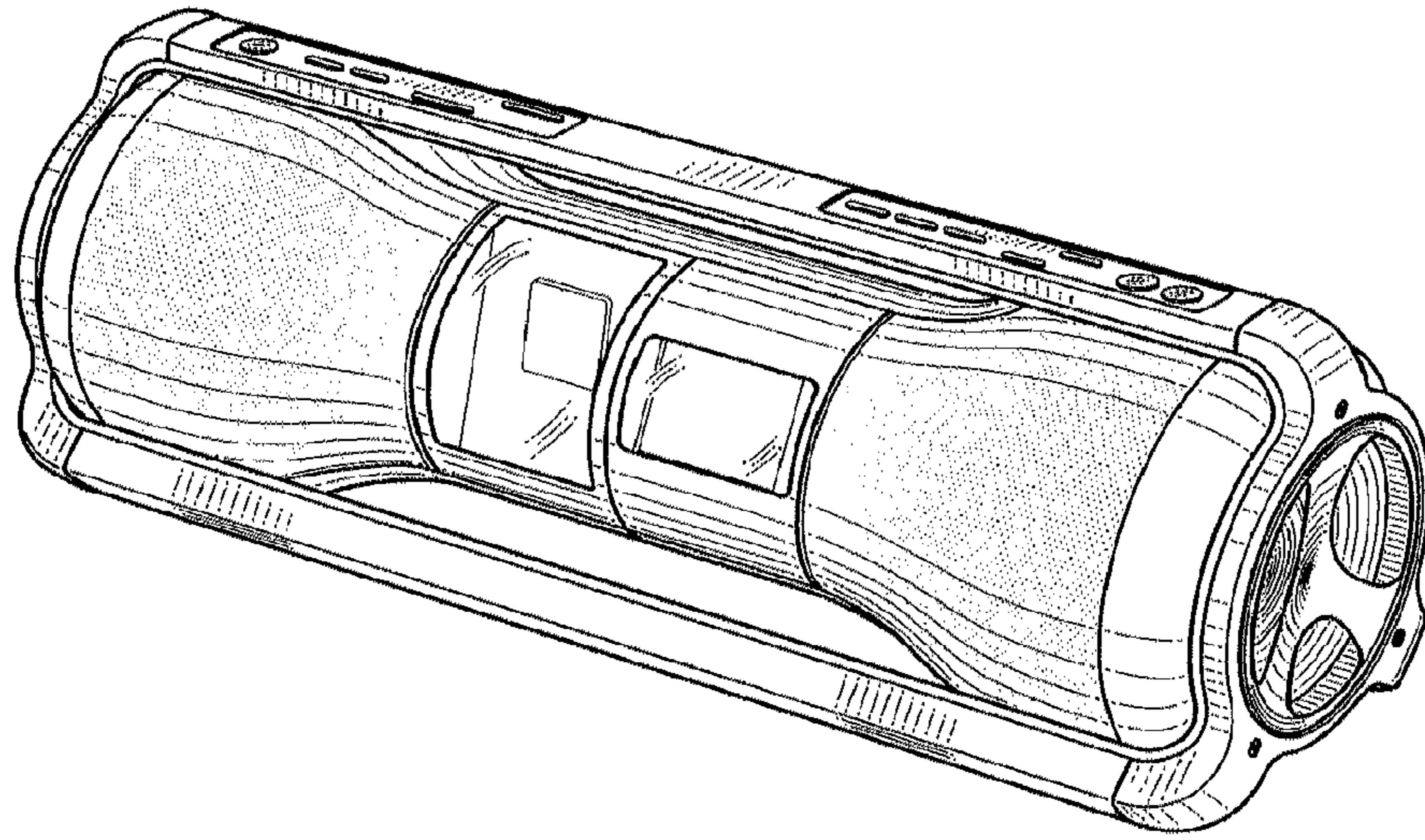


FIG. 1

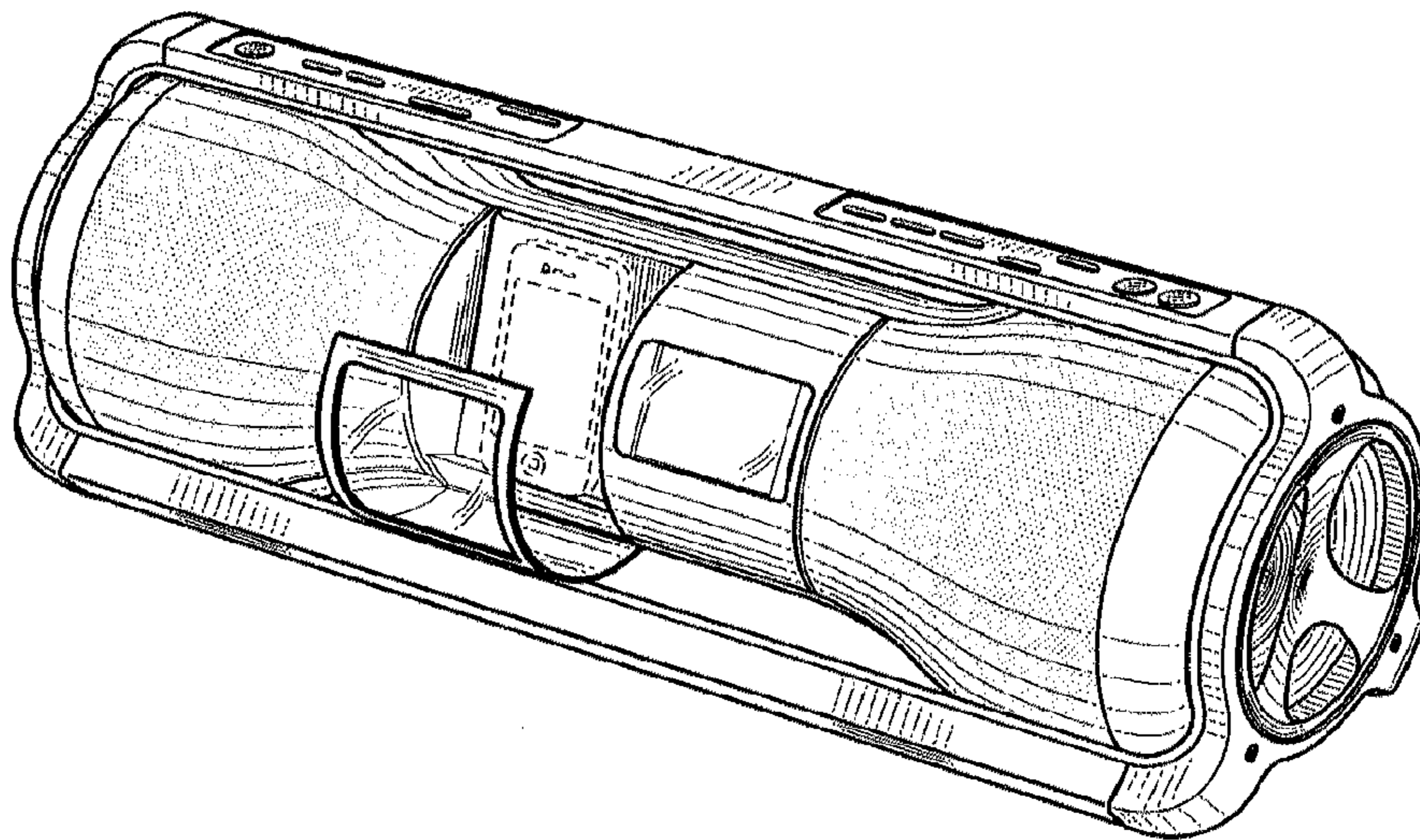


FIG. 8

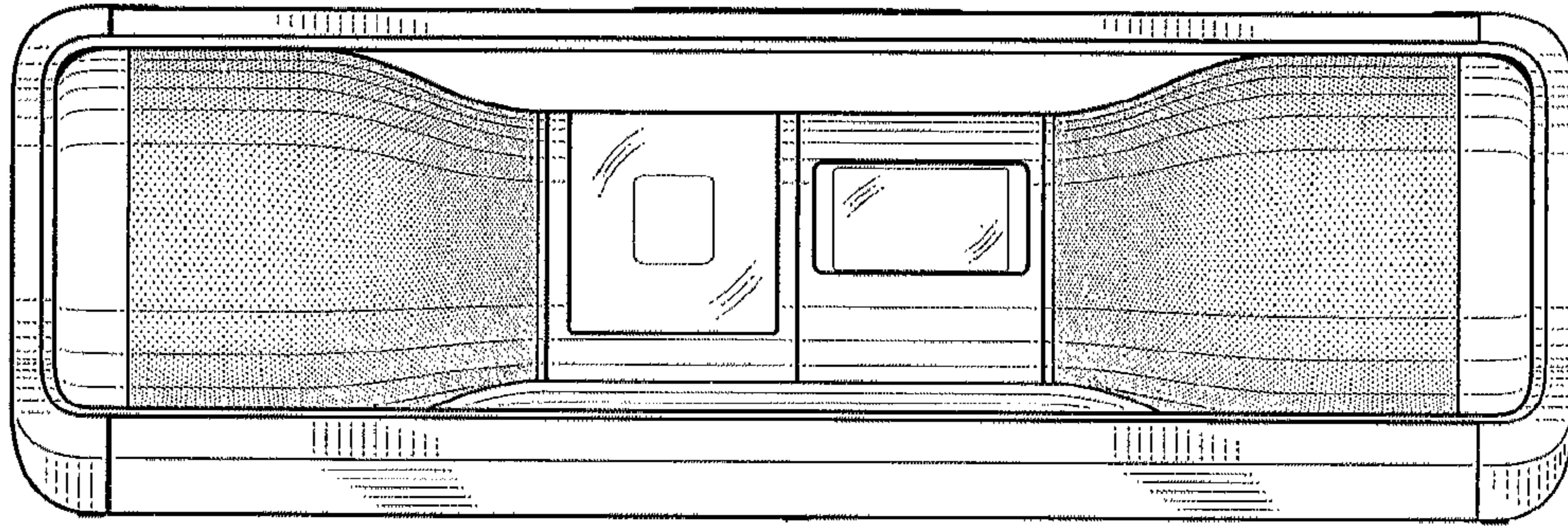


FIG. 2

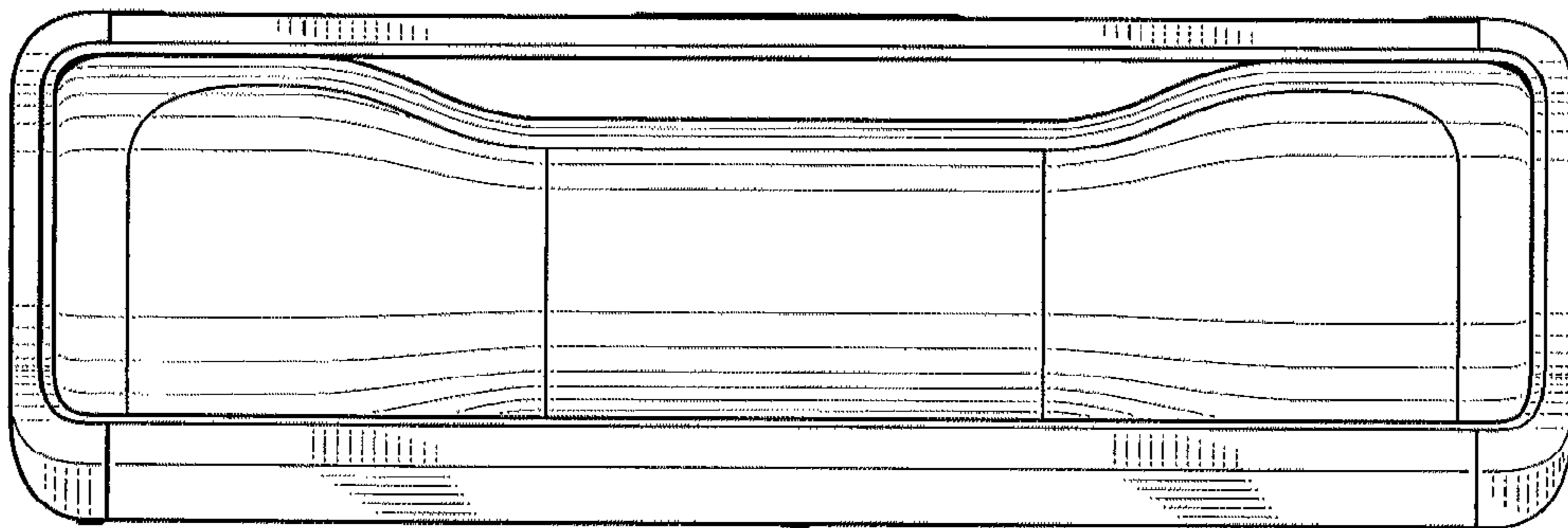


FIG. 3

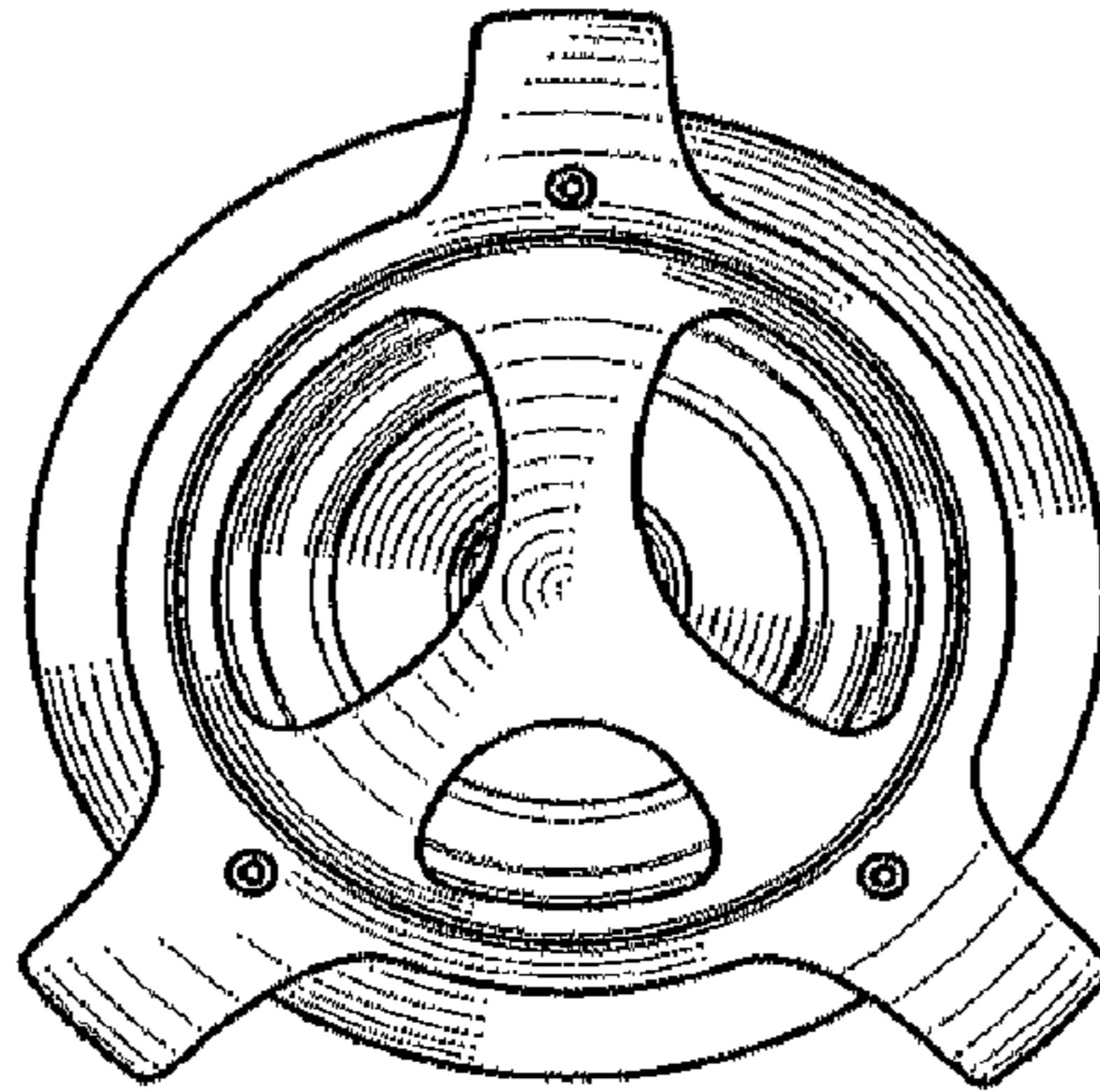


FIG. 4

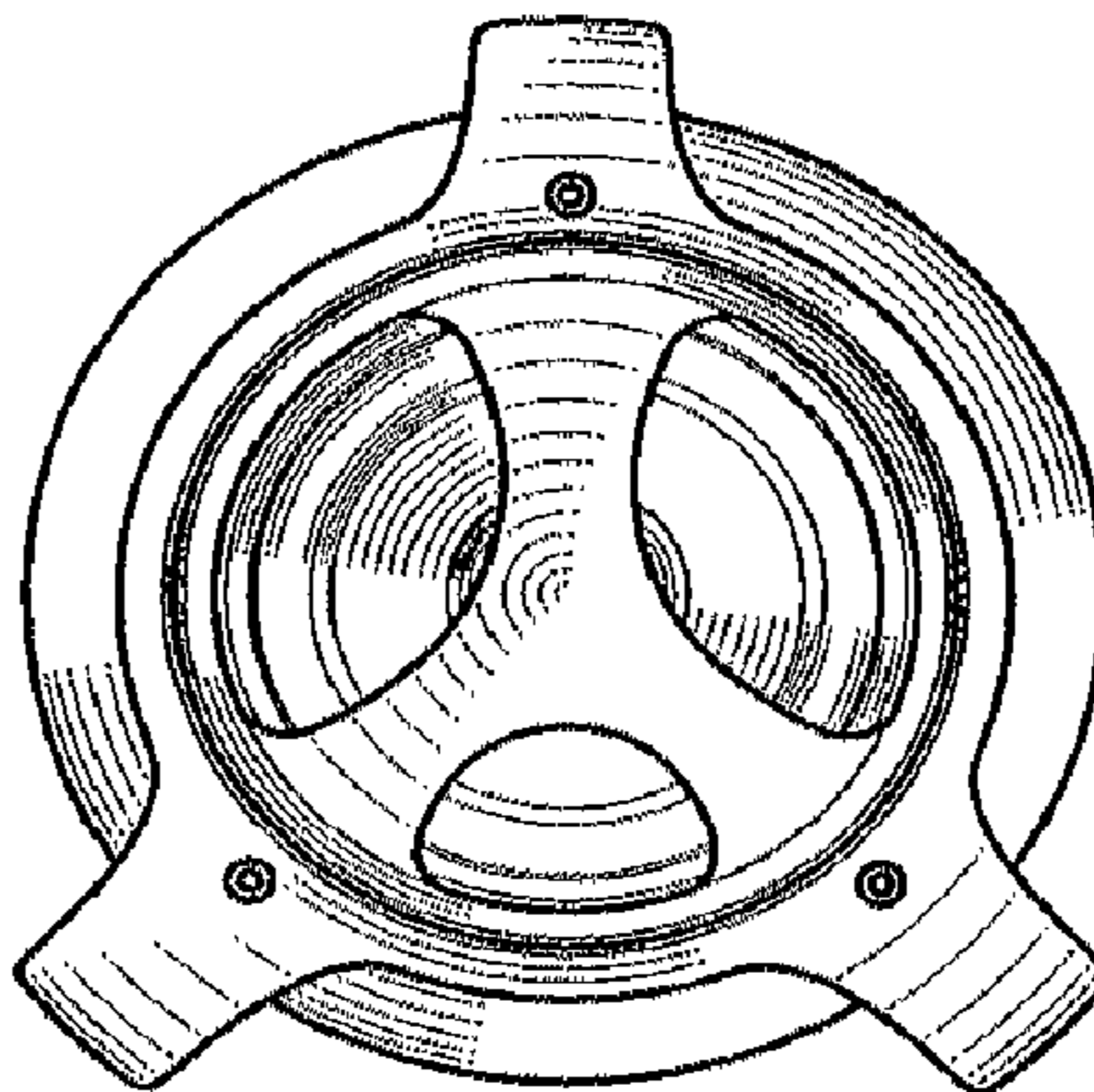


FIG. 5

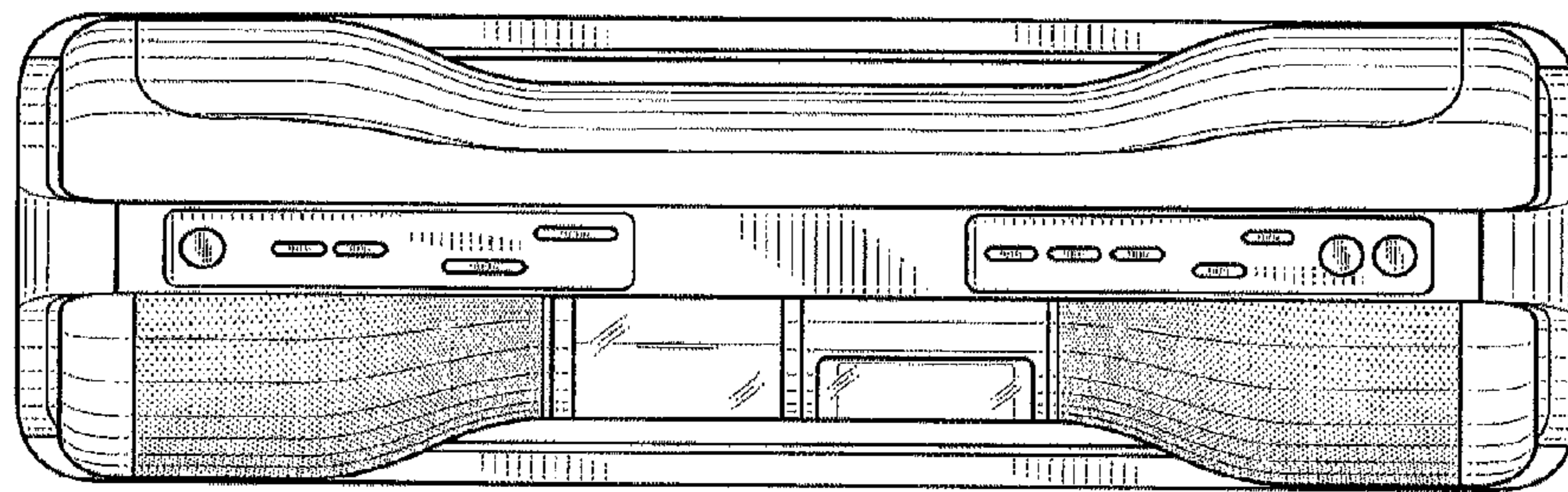


FIG. 6

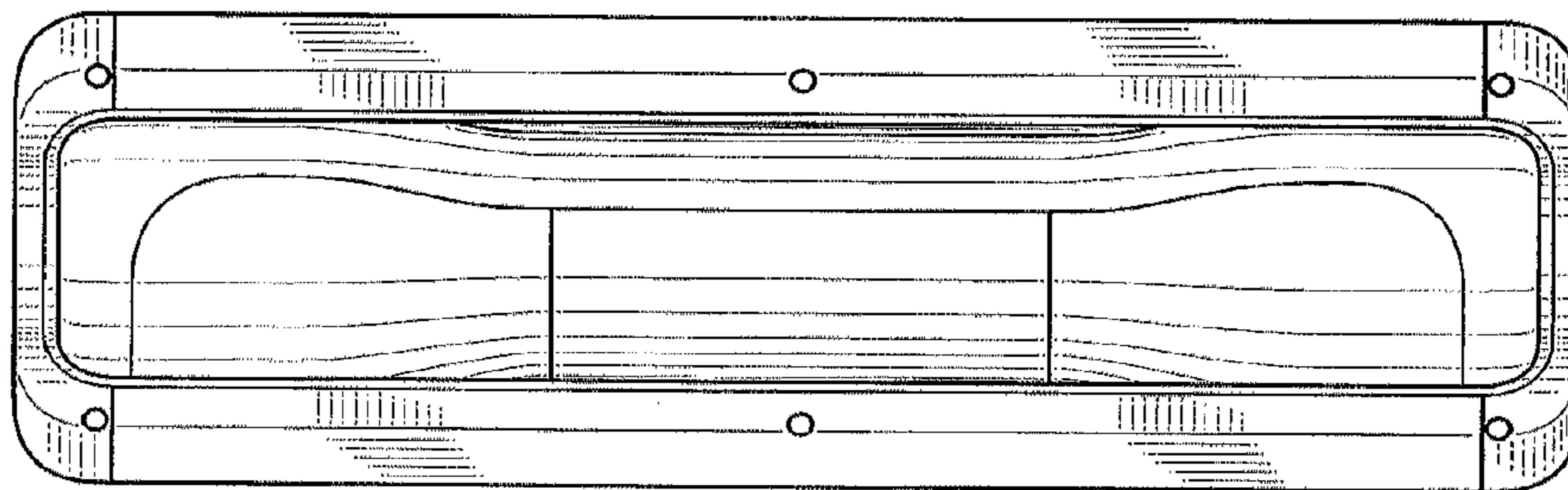


FIG. 7