



US00D676417S

(12) **United States Design Patent**  
**Masuda**

(10) **Patent No.:** **US D676,417 S**  
(45) **Date of Patent:** **\*\* Feb. 19, 2013**

(54) **PORTION OF EARPHONES**  
(76) Inventor: **Kazutami Masuda**, Tokyo (JP)  
(\*\*) Term: **14 Years**  
(21) Appl. No.: **29/413,927**  
(22) Filed: **Feb. 22, 2012**  
(51) **LOC (9) Cl.** ..... **14-01**  
(52) **U.S. Cl.** ..... **D14/205**  
(58) **Field of Classification Search** ..... D14/205,  
D14/206, 223; 181/129, 130, 135; 379/430,  
379/431; 381/380, 381; D11/3, 11; D99/26;  
455/90.3, 575.1  
See application file for complete search history.

D636,756 S \* 4/2011 Fahrendorff et al. .... D14/205  
D637,998 S \* 5/2011 Brunner et al. .... D14/205  
D643,414 S \* 8/2011 Lee et al. .... D14/223  
D652,407 S \* 1/2012 Groset et al. .... D14/205  
D652,817 S \* 1/2012 Lee et al. .... D14/205  
D658,157 S \* 4/2012 McManigal ..... D14/205  
D659,117 S \* 5/2012 Krauss et al. .... D14/205

\* cited by examiner

*Primary Examiner* — Paula Greene

(74) *Attorney, Agent, or Firm* — Ohlandt, Greeley, Ruggiero & Perle, LLP

(57) **CLAIM**  
The ornamental design for a portion of earphones, as shown and described.

(56) **References Cited**

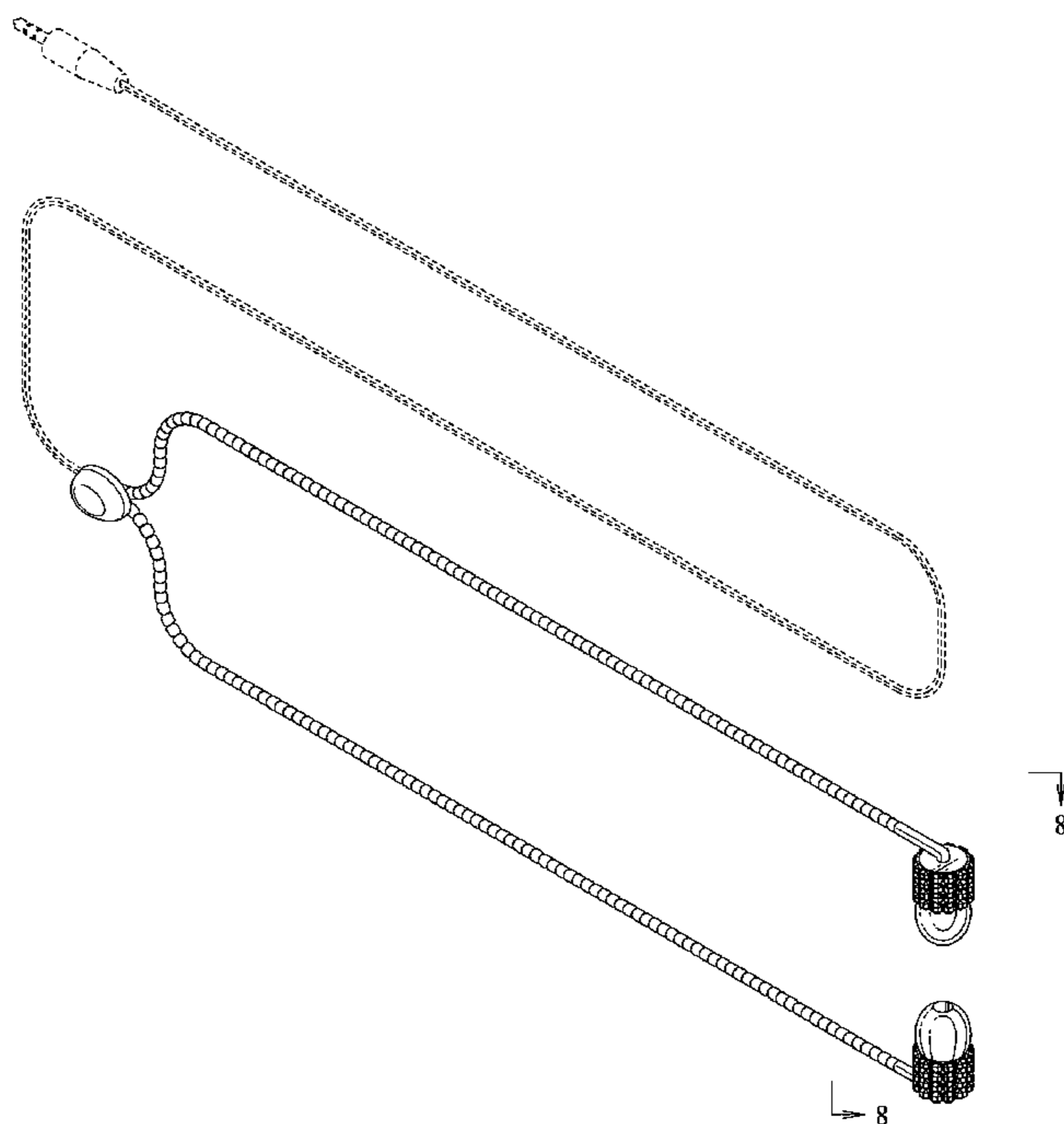
**U.S. PATENT DOCUMENTS**

D152,434 S \* 1/1949 Pizzano et al. .... D11/2  
D278,234 S \* 4/1985 Saito ..... D14/205  
4,646,872 A \* 3/1987 Kamon et al. .... 181/129  
D311,007 S \* 10/1990 Daido ..... D14/205  
6,349,568 B1 \* 2/2002 Ito ..... 63/3  
D470,790 S \* 2/2003 Schmidt ..... D11/11  
D569,841 S \* 5/2008 Chung et al. .... D14/205  
D578,507 S \* 10/2008 Ando ..... D14/205  
D582,389 S \* 12/2008 Bose et al. .... D14/205  
D582,889 S \* 12/2008 Bose et al. .... D14/205  
D587,681 S \* 3/2009 Yanai ..... D14/205  
D590,371 S \* 4/2009 Leinvuo ..... D14/205  
D591,264 S \* 4/2009 Hong et al. .... D14/205  
D595,268 S \* 6/2009 Kolton ..... D14/223  
D599,778 S \* 9/2009 Ando ..... D14/205  
D599,779 S \* 9/2009 Ando ..... D14/205  
D614,168 S \* 4/2010 Rogers et al. .... D14/206  
D624,056 S \* 9/2010 Kolton ..... D14/223  
D627,338 S \* 11/2010 Koss et al. .... D14/223

**DESCRIPTION**

FIG. 1 is a perspective view of a portion of earphones showing my new design, the opposite perspective view is a mirror image;  
FIG. 2 is a front elevational view thereof;  
FIG. 3 is a rear elevational view thereof;  
FIG. 4 is a top plan view thereof;  
FIG. 5 is a bottom plan view thereof;  
FIG. 6 is a right side elevational view thereof;  
FIG. 7 is a left side elevational view thereof;  
FIG. 8 is an enlarged fragmented perspective view thereof, taken along the line 8-8 in FIG. 1; and,  
FIG. 9 is an enlarged fragmented front elevational view thereof, taken along the line 9-9 in FIG. 2.  
The broken lines are for illustrative purposes only and form no part of the claimed design.

**1 Claim, 7 Drawing Sheets**



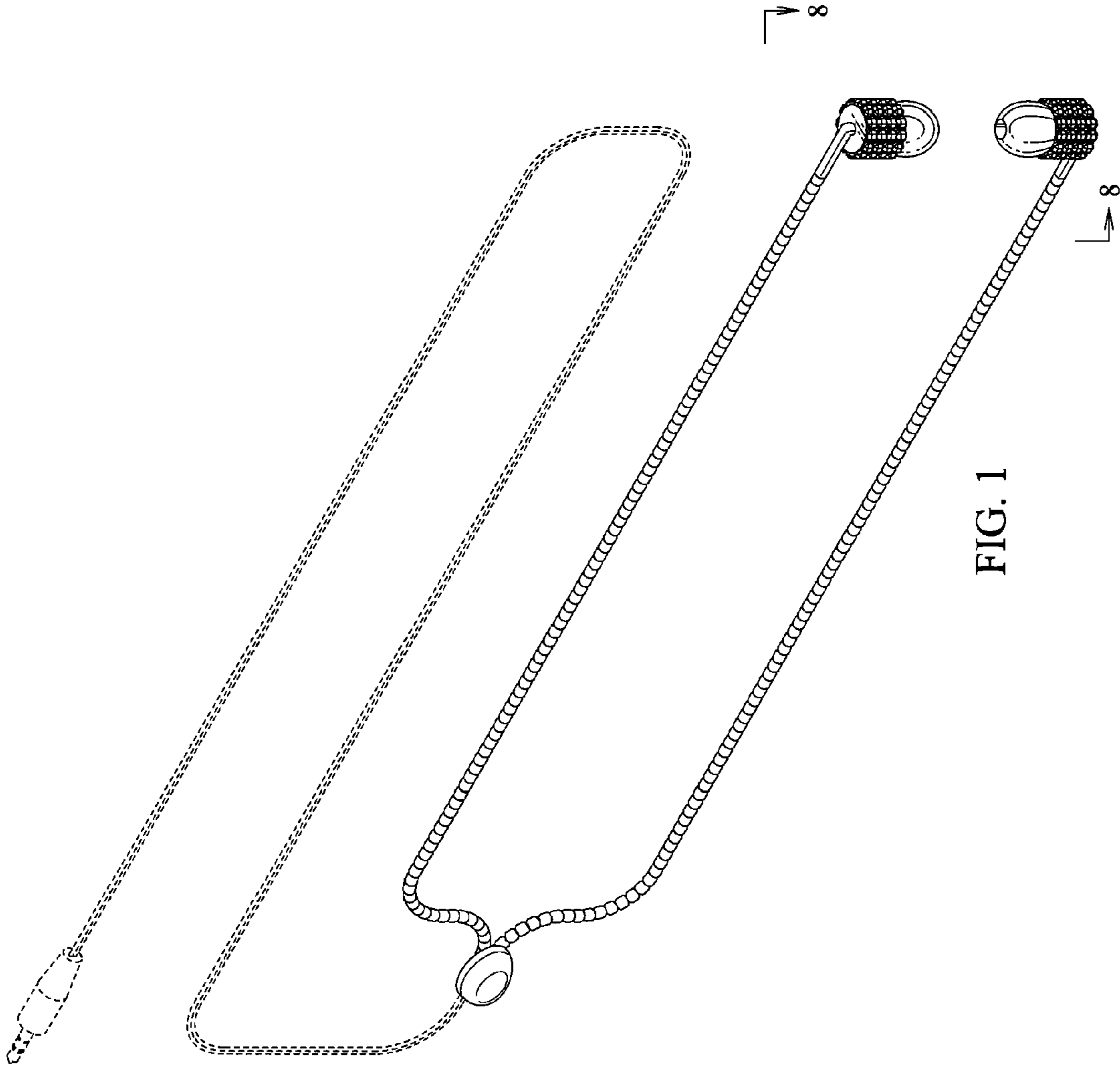


FIG. 1

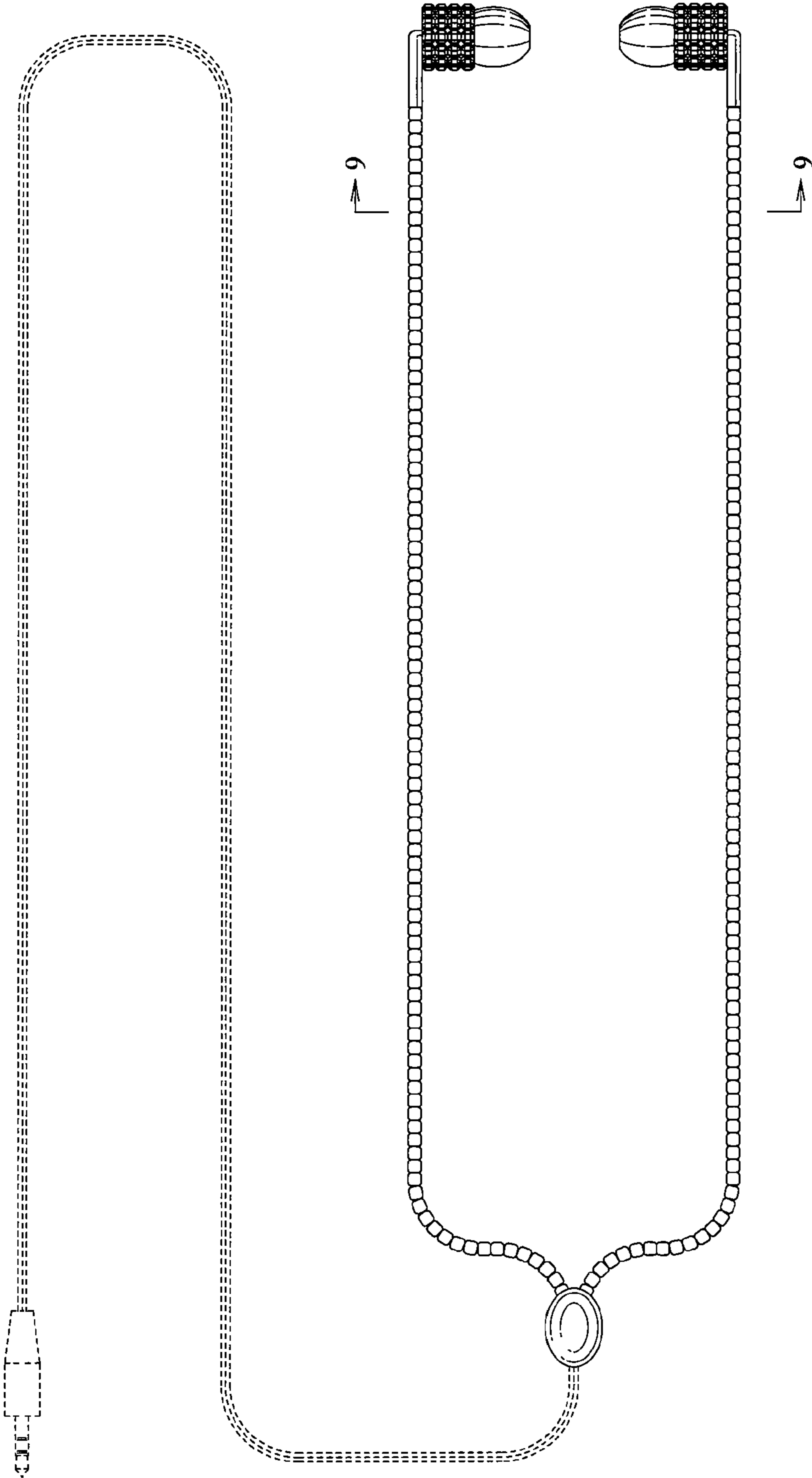


FIG. 2

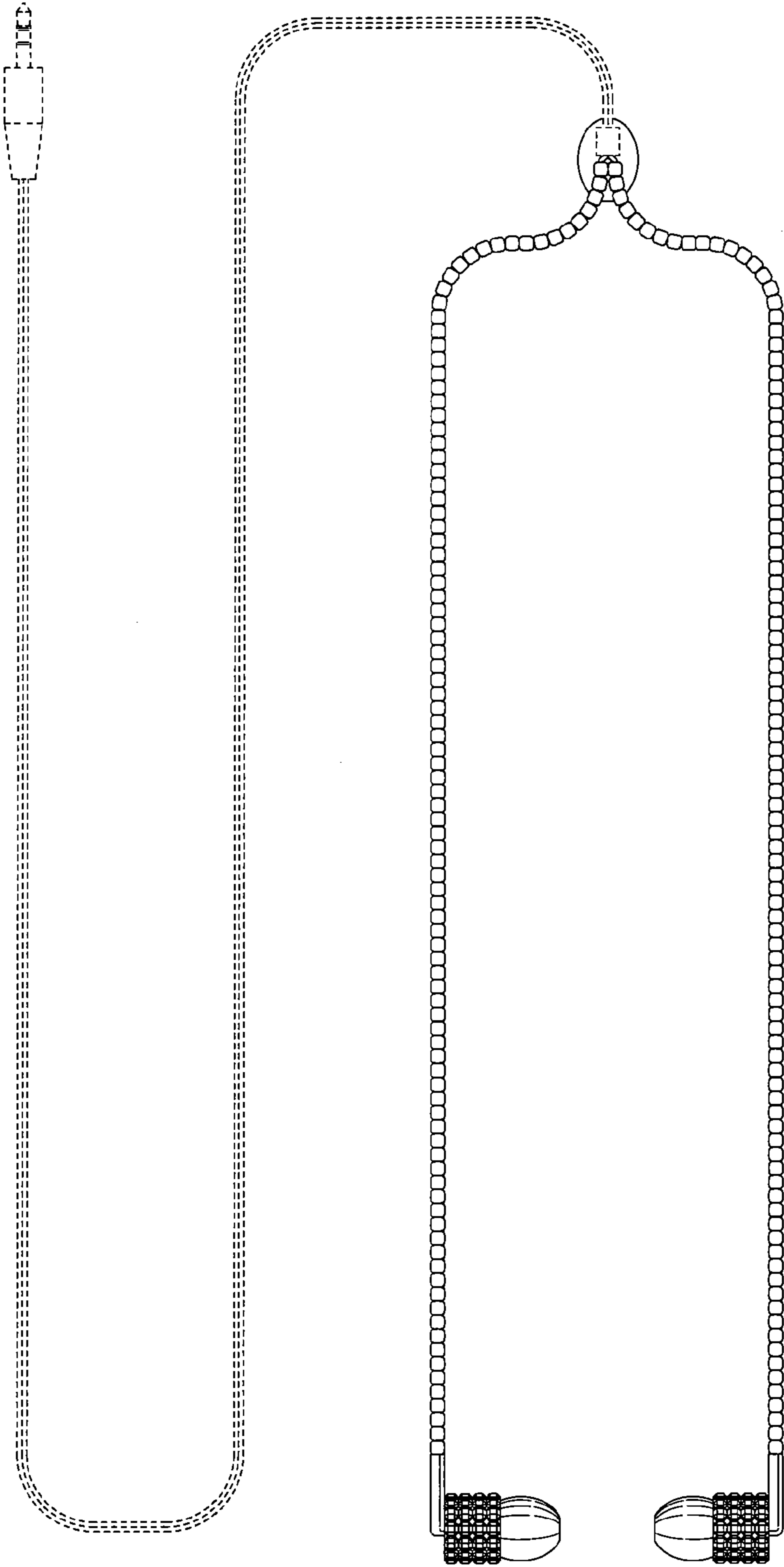


FIG. 3

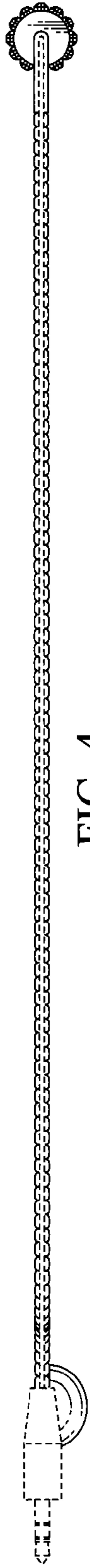


FIG. 4

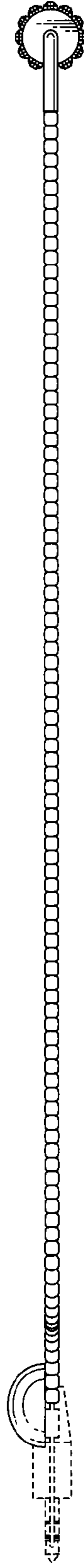


FIG. 5

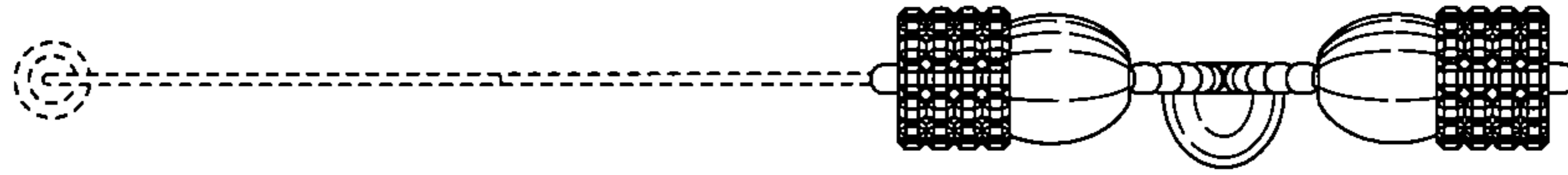


FIG. 6

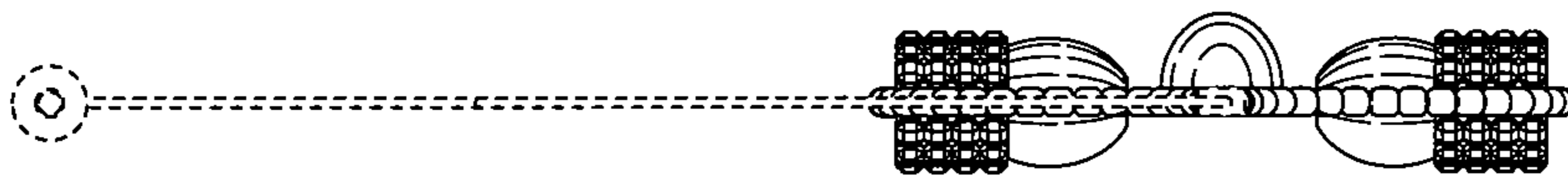


FIG. 7

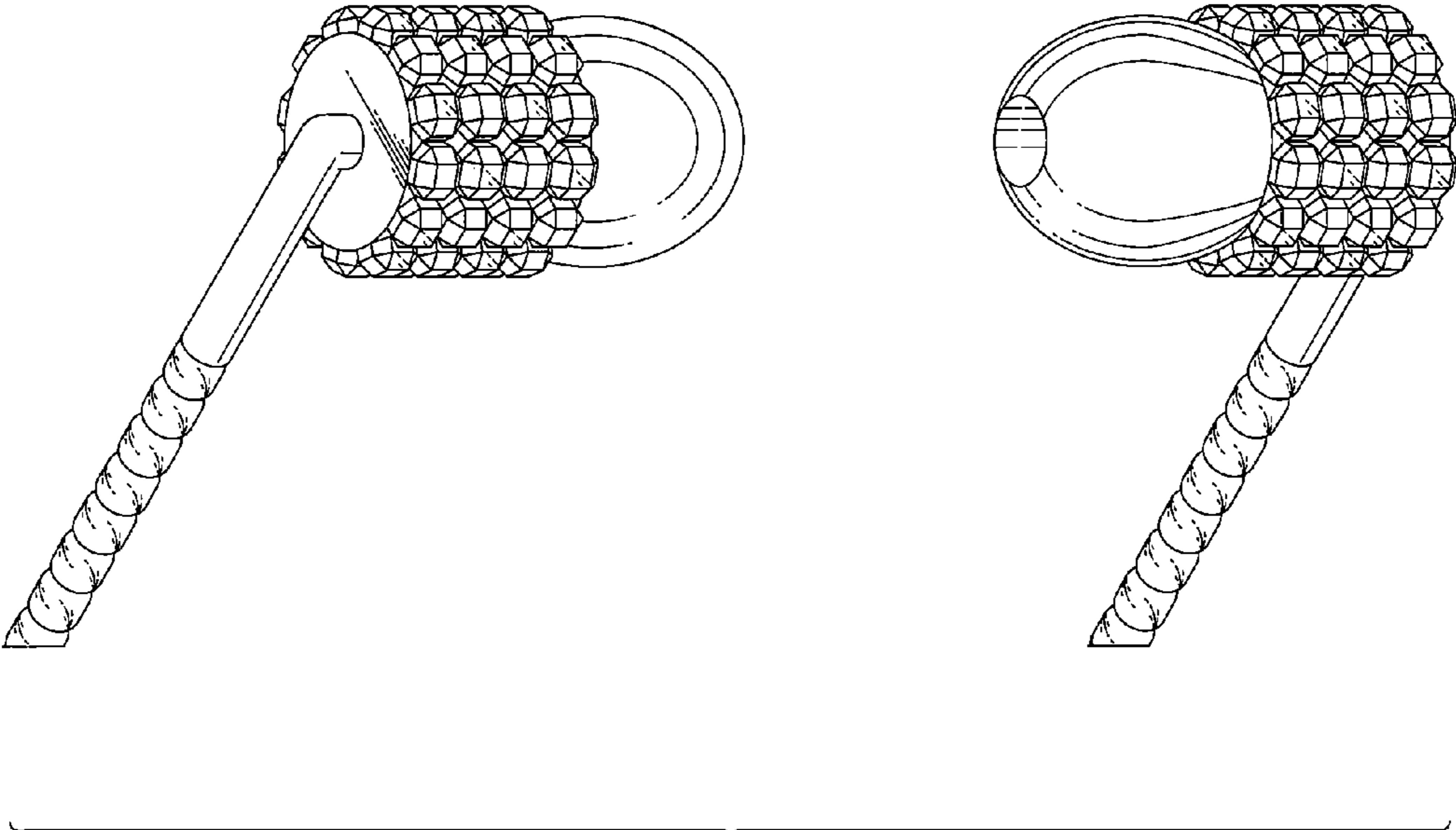


FIG. 8

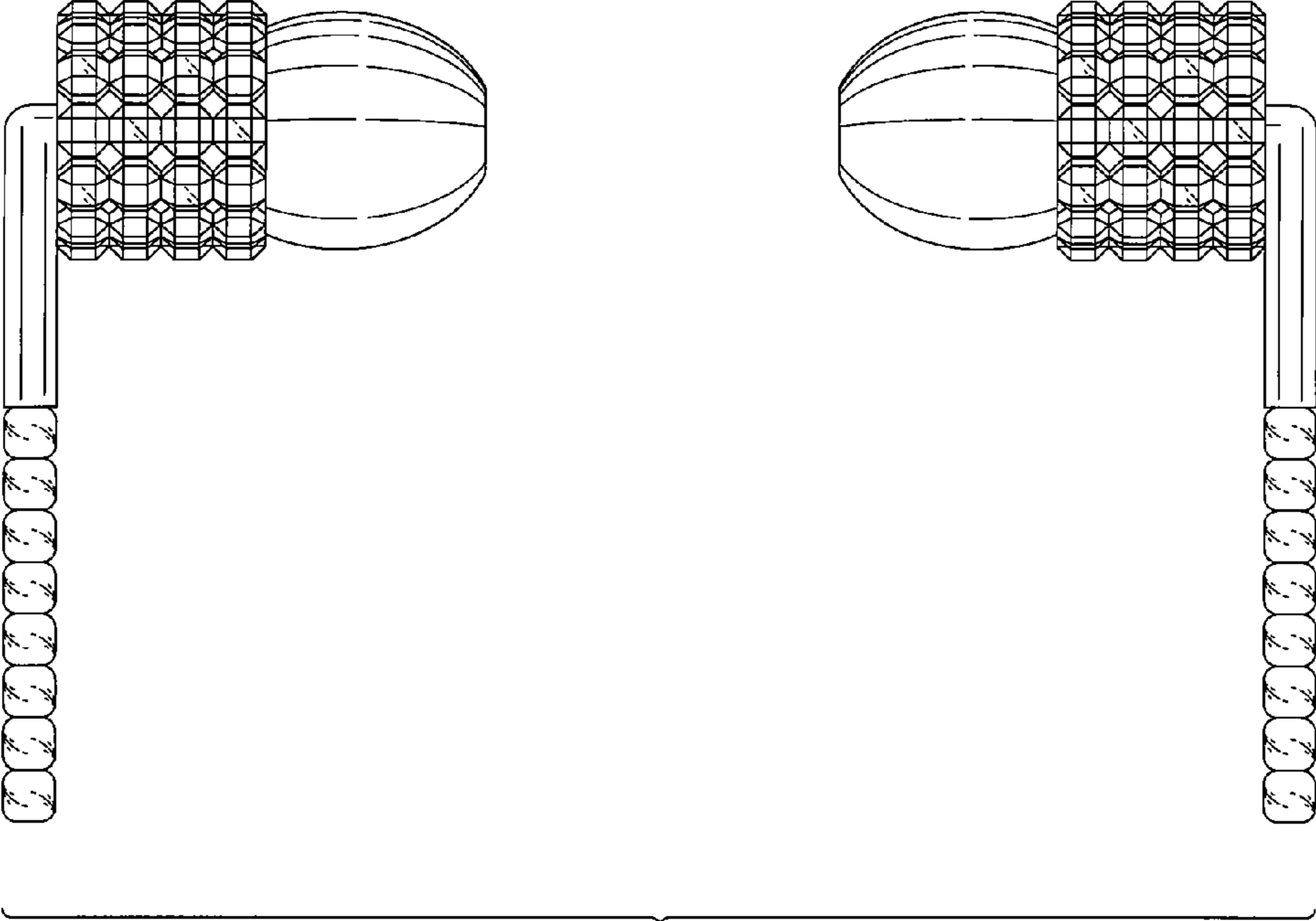


FIG. 9