



US00D676416S

(12) **United States Design Patent**
Stevinson

(10) **Patent No.:** **US D676,416 S**

(45) **Date of Patent:** **** Feb. 19, 2013**

(54) **CONTOURED EARPHONE RETAINING CLIP**

D576,867 S * 9/2008 Kretz D8/356
D600,673 S * 9/2009 Kim et al. D14/205
D601,879 S * 10/2009 Kim et al. D8/356

(76) Inventor: **Dean Stevenson**, Centennial, CO (US)

* cited by examiner

(**) Term: **14 Years**

Primary Examiner — Paula Greene

(21) Appl. No.: **29/409,520**

(74) *Attorney, Agent, or Firm* — Lathrop & Gage LLP

(22) Filed: **Dec. 23, 2011**

(57) **CLAIM**

(51) **LOC (9) Cl.** **14-01**

The ornamental design for a contoured earphone retaining clip, as shown and described.

(52) **U.S. Cl.** **D14/205**

(58) **Field of Classification Search** D14/205;
D13/154; D3/24; D8/356, 358, 382; 206/389;
381/370; 24/67.11, 545, 343, 30.5 R; 174/146;
242/400.1

DESCRIPTION

See application file for complete search history.

FIG. 1 is a perspective view, as seen from above, of the contoured earphone retaining clip;

(56) **References Cited**

U.S. PATENT DOCUMENTS

D136,783	S	*	12/1943	Le Veck	D8/358
3,161,723	A	*	12/1964	Flower et al.	174/146
D209,330	S	*	11/1967	Coderre et al.	D8/382
D284,299	S	*	6/1986	Auerbach et al.	D22/143
D347,989	S	*	6/1994	DeWard	D8/358
6,601,808	B1	*	8/2003	Nagel	248/220.31
6,928,704	B2	*	8/2005	Johnson	24/130
D514,923	S	*	2/2006	Brown	D8/354
D556,020	S	*	11/2007	Whitney et al.	D8/356

FIG. 2 is a front elevation of the contoured earphone retaining clip;

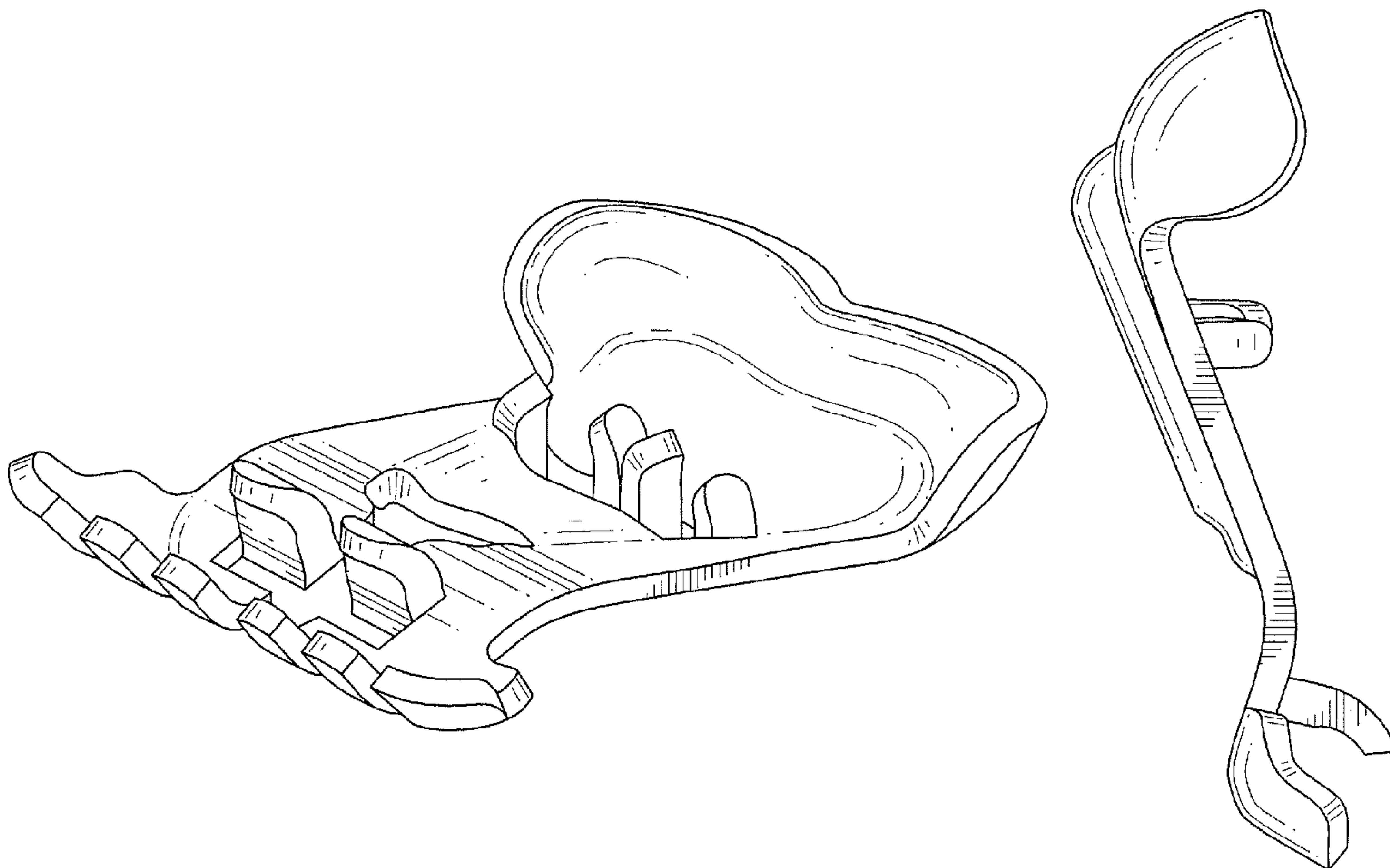
FIG. 3 is a back elevation of the contoured earphone retaining clip;

FIG. 4 is a left side elevation of the contoured earphone retaining clip, an opposing elevation of the of the contoured earphone retaining clip being a mirror image thereof;

FIG. 5 is a top elevation of the contoured earphone retaining clip; and,

FIG. 6 is a bottom elevation of the contoured earphone retaining clip.

1 Claim, 3 Drawing Sheets



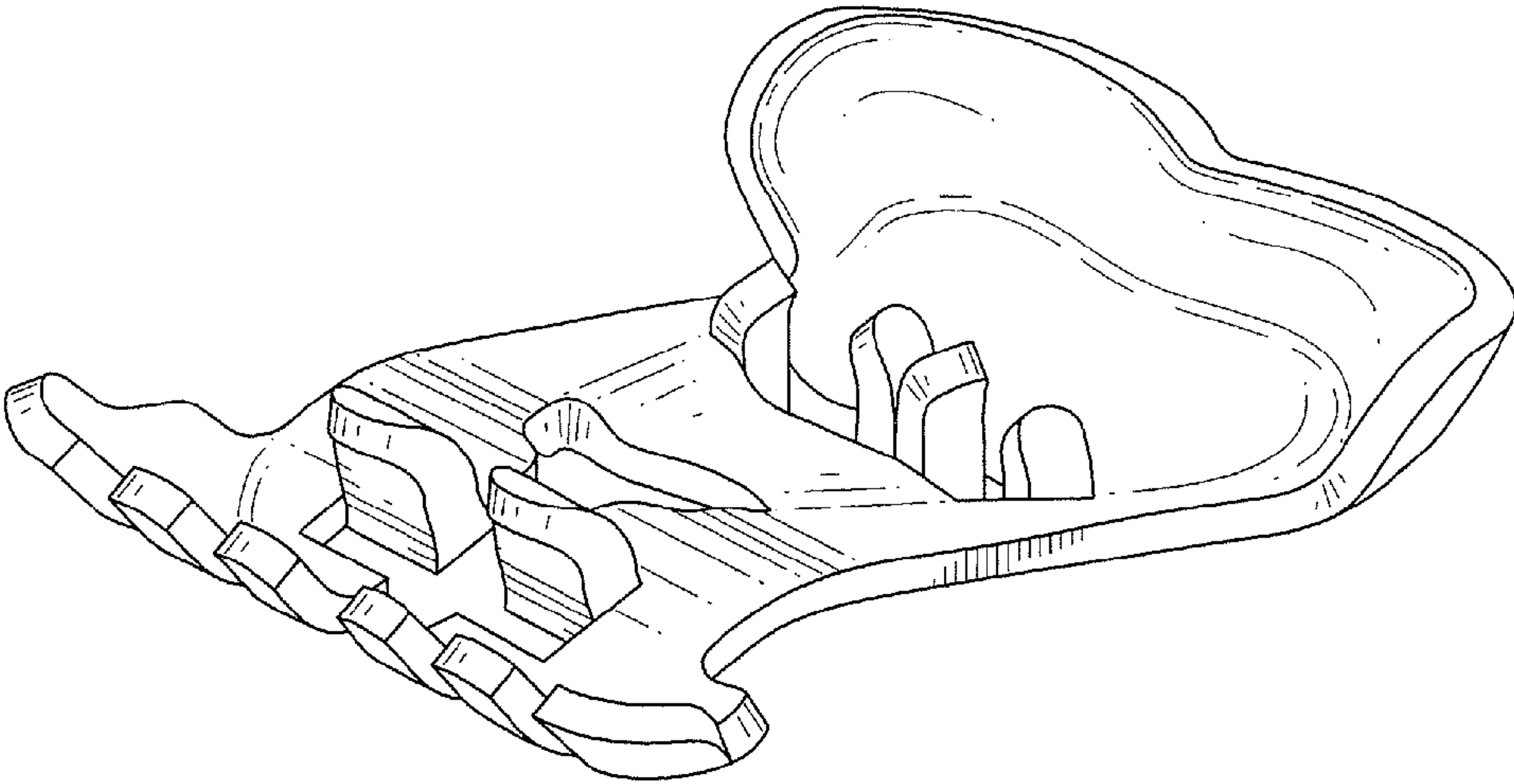


FIG. 1

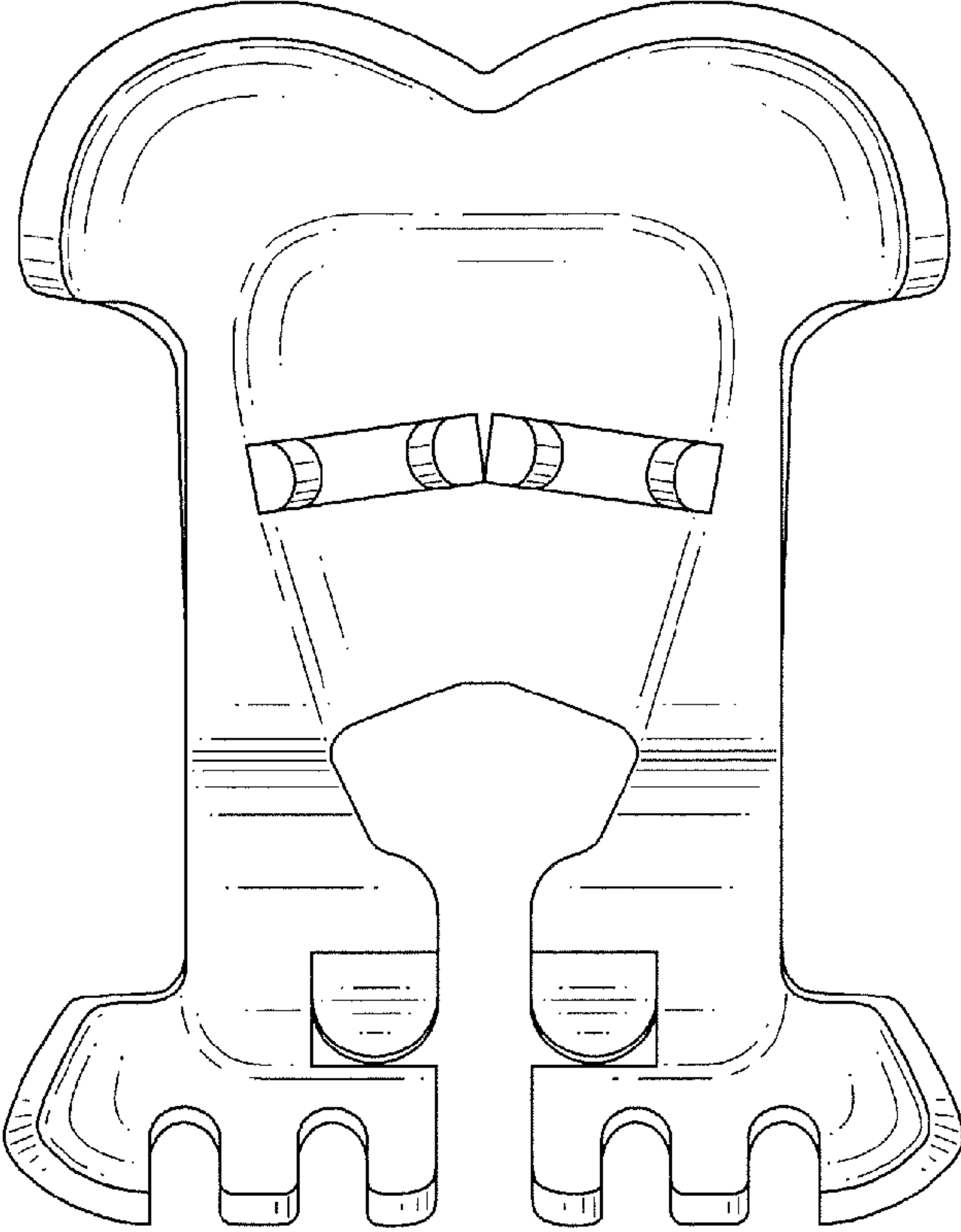


FIG. 2

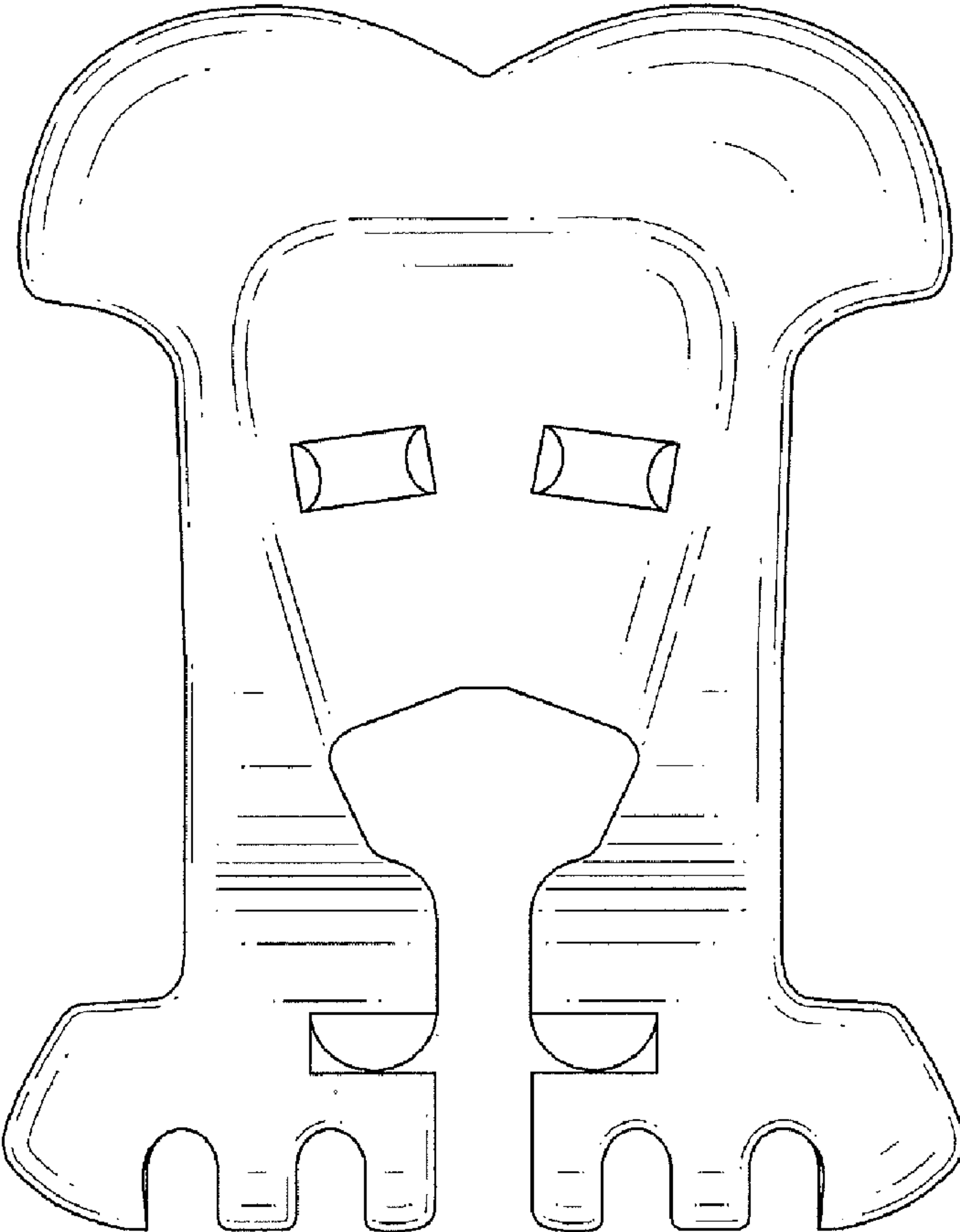


FIG. 3

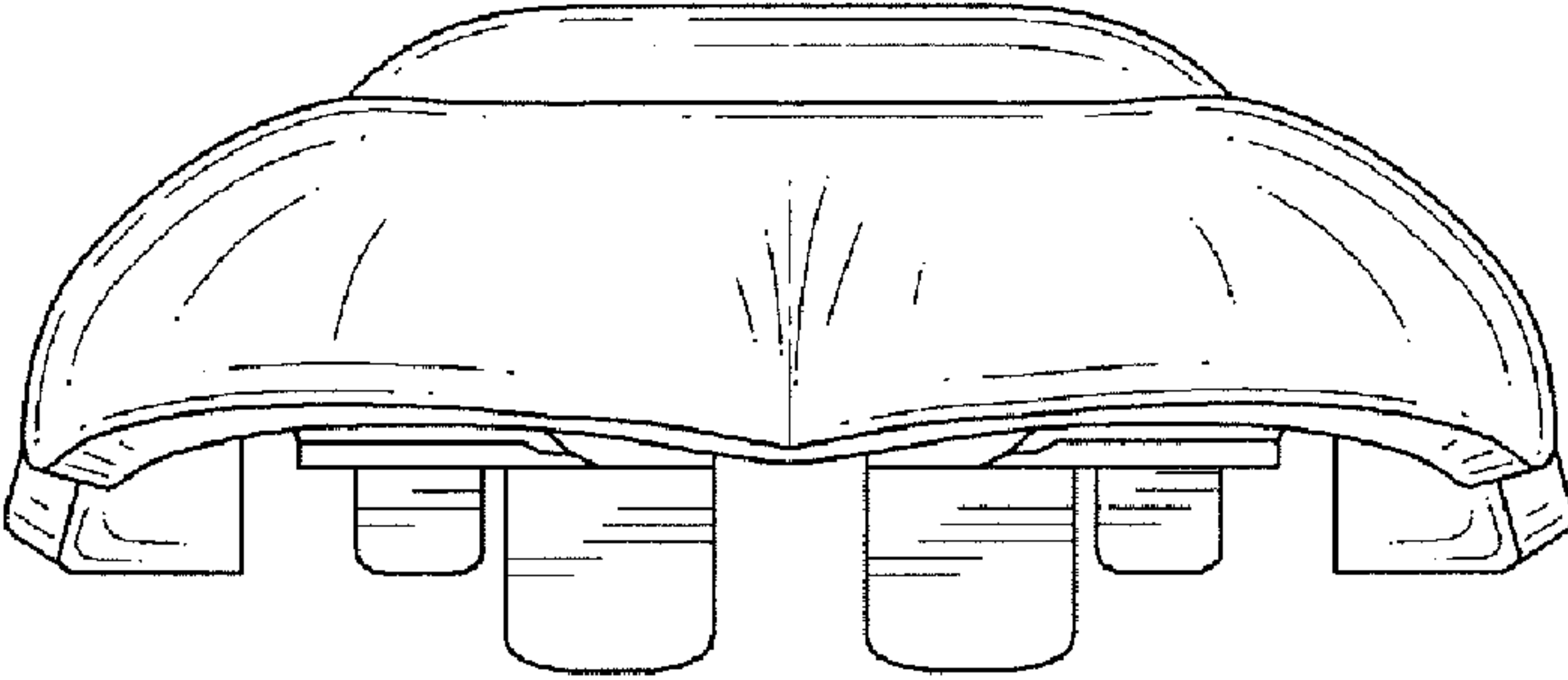


FIG. 5

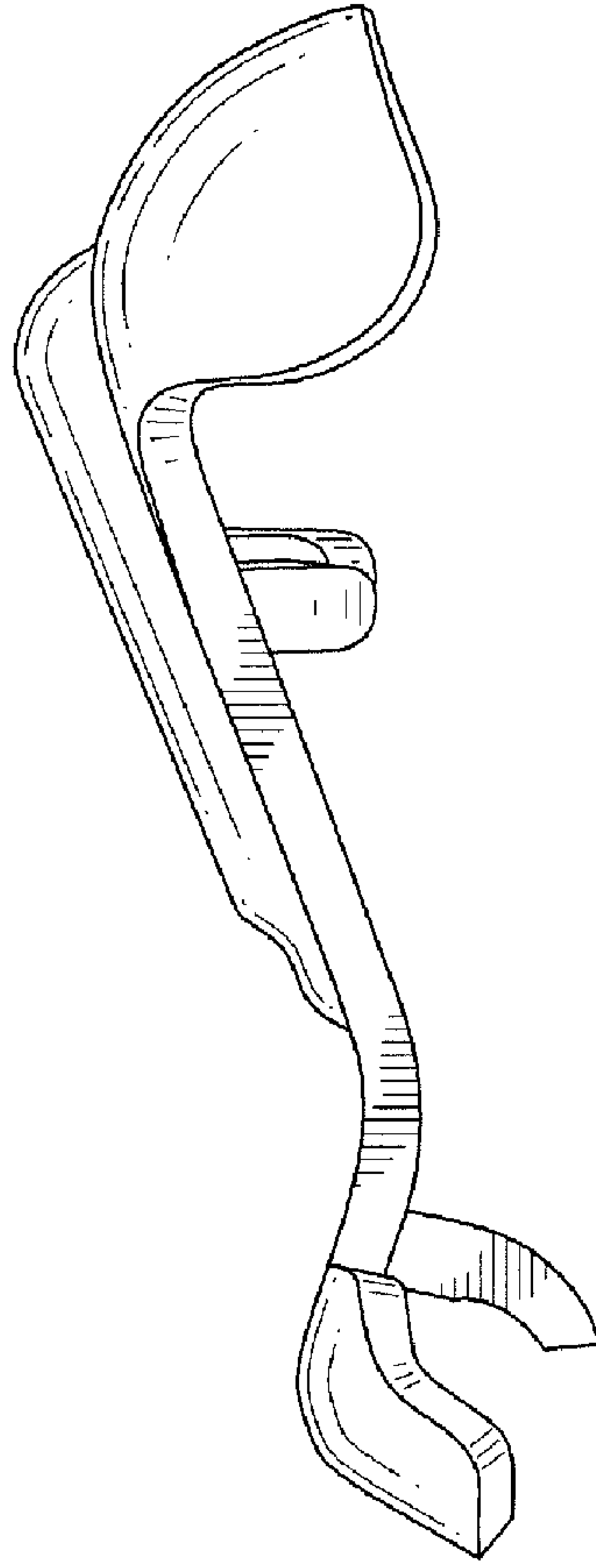


FIG. 4

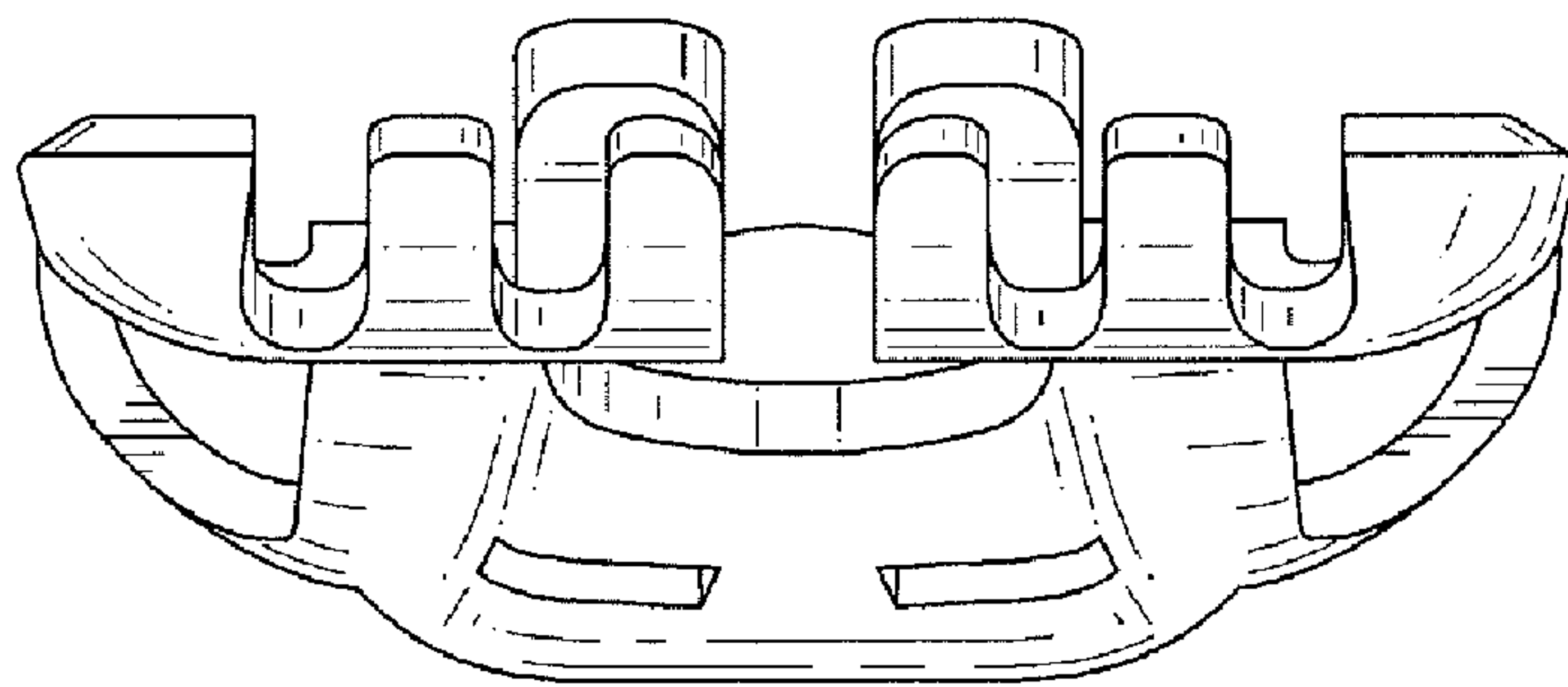


FIG. 6