



US00D676414S

(12) **United States Design Patent**
Holzer

(10) **Patent No.:** **US D676,414 S**

(45) **Date of Patent:** **** Feb. 19, 2013**

(54) **BLUETOOTH SPEAKER SYSTEM WITH INTEGRATED KEYBOARD**

(75) Inventor: **Eric Holzer**, Piscataway, NJ (US)

(73) Assignee: **SDI Technologies, Inc.**, Rahway, NJ (US)

(**) Term: **14 Years**

(21) Appl. No.: **29/403,438**

(22) Filed: **Oct. 6, 2011**

(51) **LOC (9) Cl.** **14-01**

(52) **U.S. Cl.** **D14/172**

(58) **Field of Classification Search** D14/204,
D14/210-216, 172, 191, 192, 188, 203.7,
D14/507, 341, 346, 356, 357, 392; 181/143,
181/144, 147, 148, 150-153, 157, 198, 199;
381/300-303, 306, 332, 333, 336, 345, 361-364,
381/386-388; D3/215, 218; 24/3.12

See application file for complete search history.

(56) **References Cited**

U.S. PATENT DOCUMENTS

3,512,605	A *	5/1970	McCorkle	381/301
4,700,396	A *	10/1987	Bolin	381/97
D551,208	S *	9/2007	Yano	D14/214
D579,915	S *	11/2008	Yeo	D14/214
D594,848	S *	6/2009	Imawaki	D14/215
D619,118	S *	7/2010	Joseph	D14/209.1
D636,759	S *	4/2011	Chen	D14/214
D644,292	S *	8/2011	Nelsen	D22/108
D644,627	S *	9/2011	Garrett	D14/214
D648,721	S *	11/2011	Wong et al.	D14/345
D656,133	S *	3/2012	Wang et al.	D14/240

* cited by examiner

Primary Examiner — Prabhakar Deshmukh

(74) *Attorney, Agent, or Firm* — Ostrolenk Faber LLP

(57) **CLAIM**

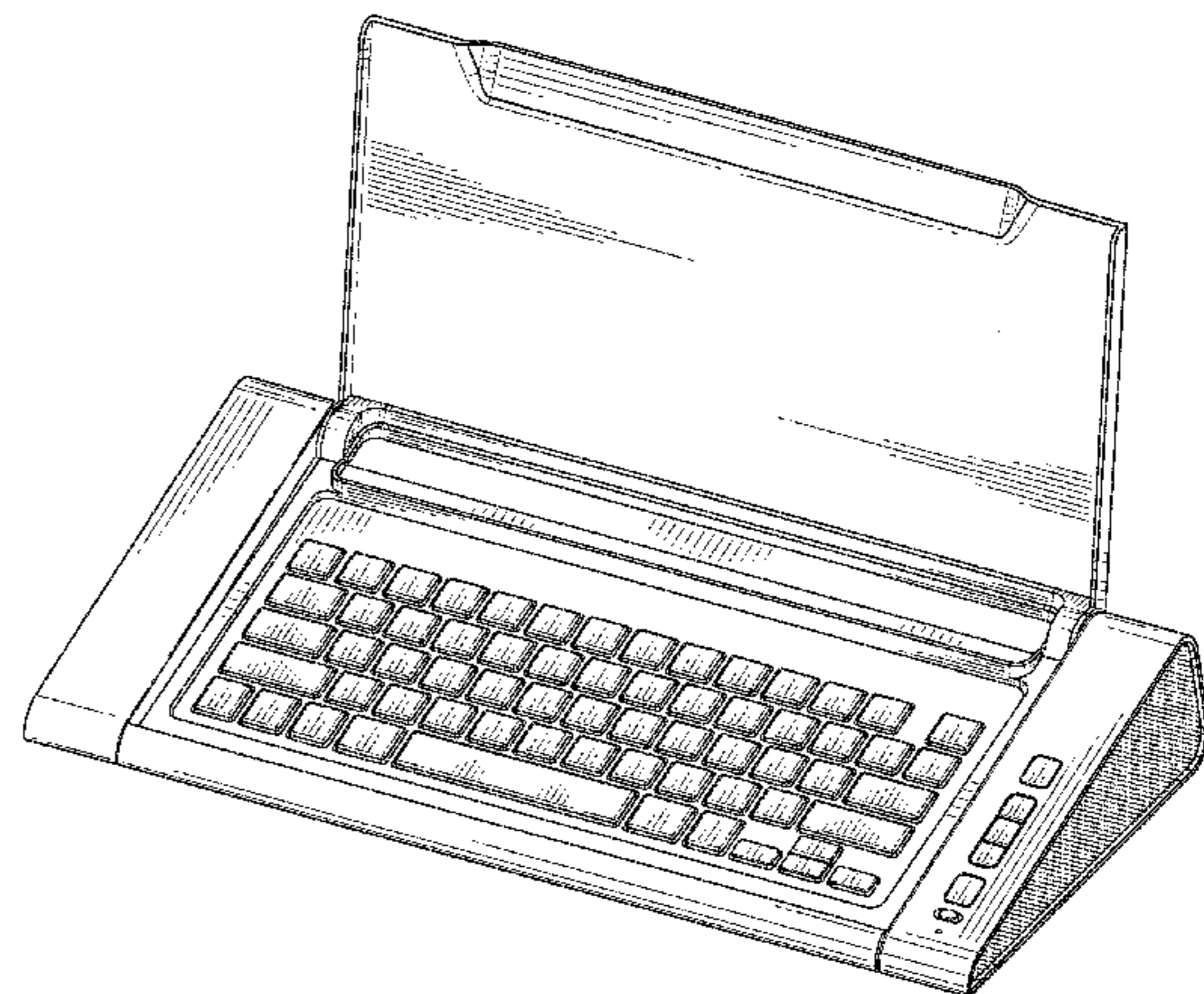
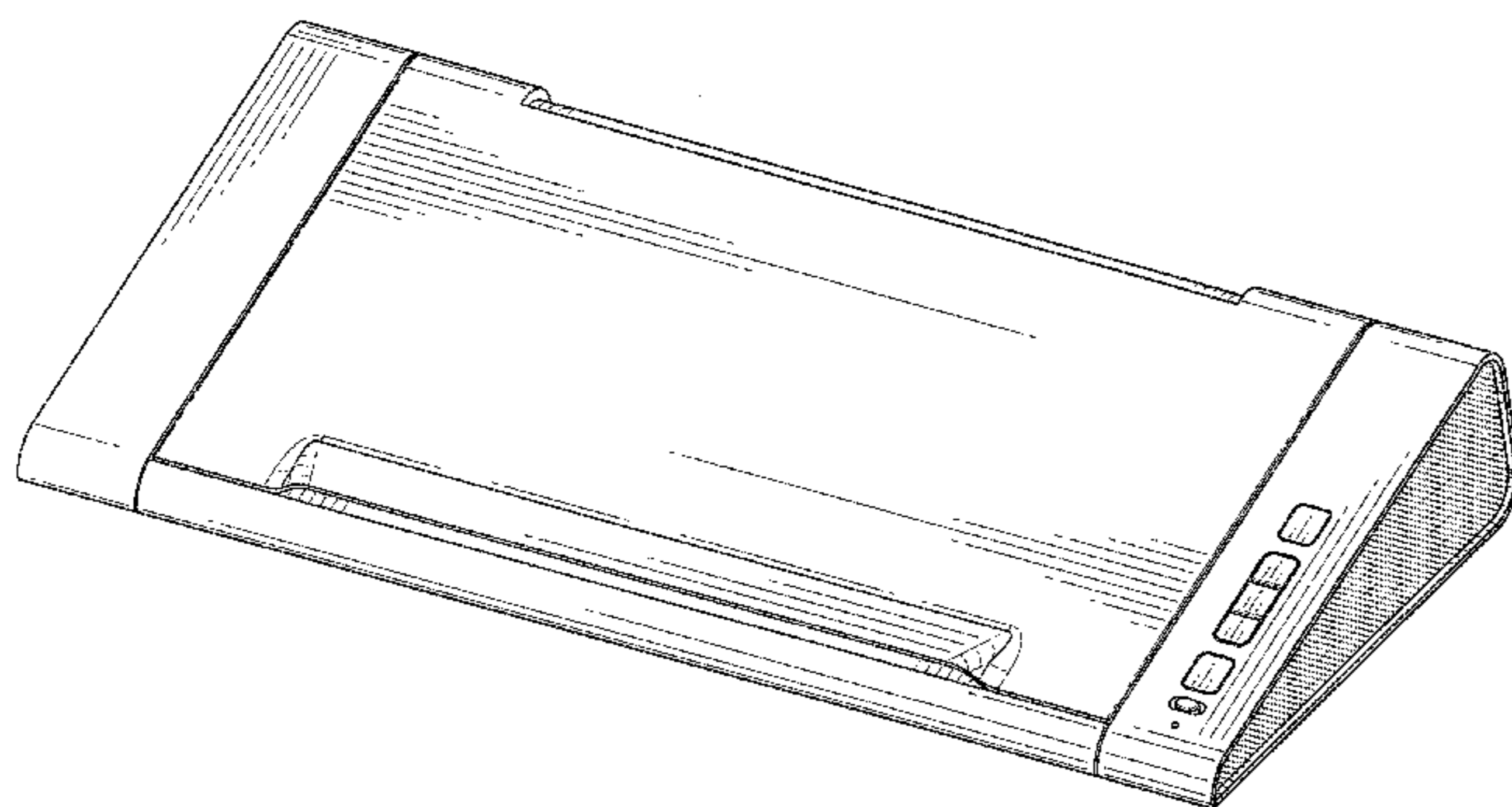
The ornamental design for a bluetooth speaker system with integrated keyboard, as shown and described.

DESCRIPTION

FIG. 1 is a top, right side, perspective view of a bluetooth speaker system with integrated keyboard showing my new design in a closed condition;
 FIG. 2 is a front view thereof;
 FIG. 3 is a rear view thereof;
 FIG. 4 is a top view thereof;
 FIG. 5 is a bottom view thereof;
 FIG. 6 is a left side view thereof;
 FIG. 7 is a right side view thereof;
 FIG. 8 is a cross-sectional view thereof along line 8-8 in FIG. 2;
 FIG. 9 is a cross-sectional view thereof along line 9-9 in FIG. 4;
 FIG. 10 is a sectional view thereof along line 10-10 in FIG. 6;
 FIG. 11 is a top, right side, perspective view thereof showing my new design in an open condition;
 FIG. 12 is a front view thereof;
 FIG. 13 is a rear view thereof;
 FIG. 14 is a top view thereof;
 FIG. 15 is a bottom view thereof;
 FIG. 16 is a left side view thereof;
 FIG. 17 is a right side view thereof;
 FIG. 18 is a cross-sectional view thereof along line 18-18 in FIG. 14; and,
 FIG. 19 is a cross-sectional view thereof along line 19-19 in FIG. 12.

The broken lines in the drawings illustrate environmental material that forms no part of the claimed design.

1 Claim, 19 Drawing Sheets



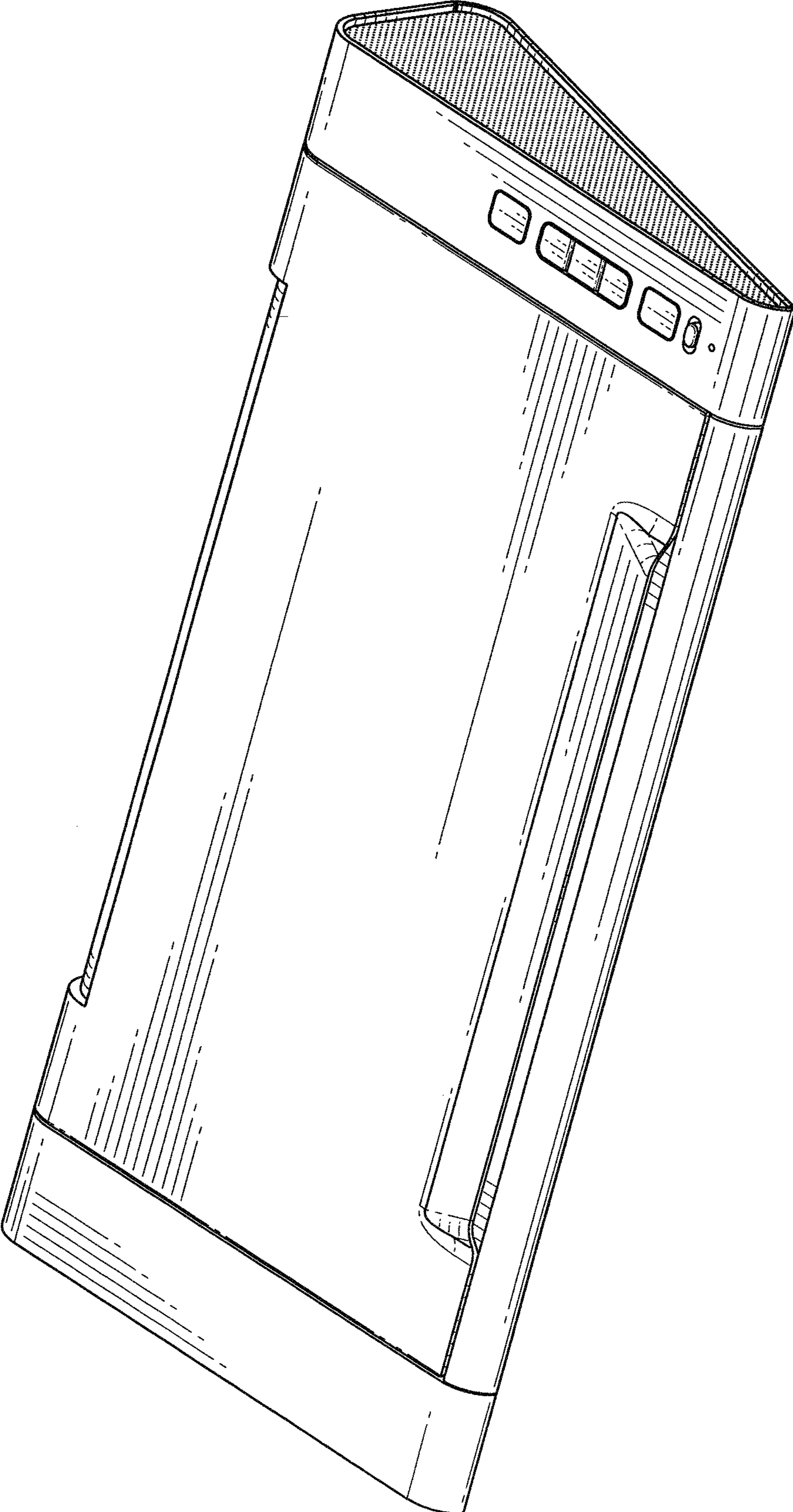


FIG.1

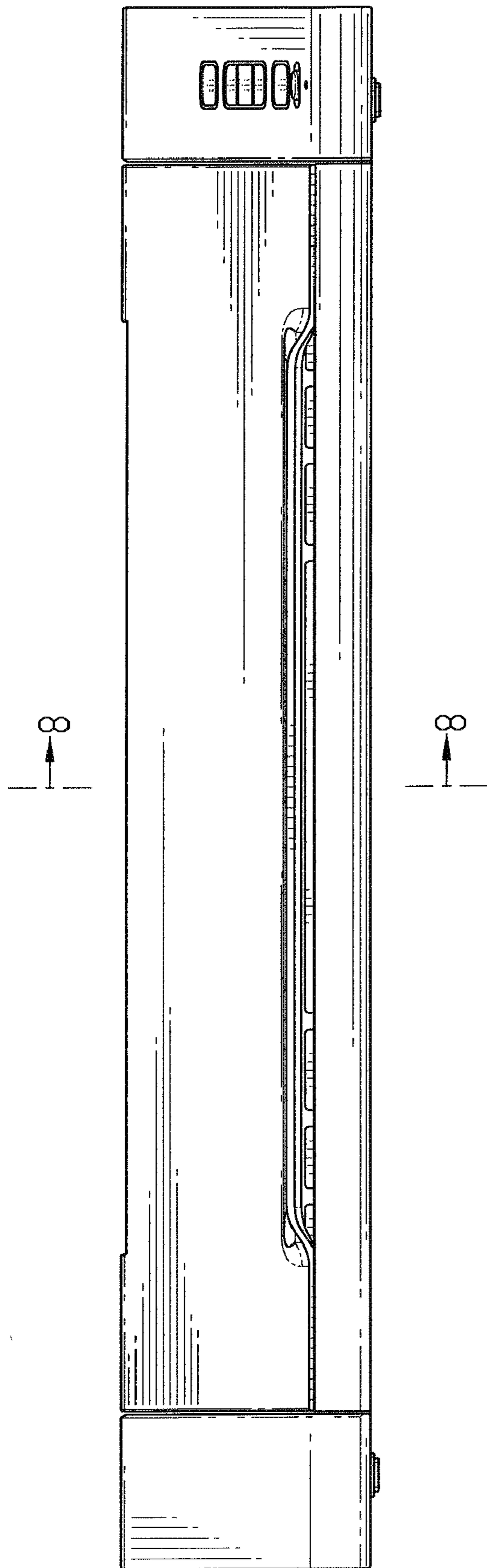


FIG. 2

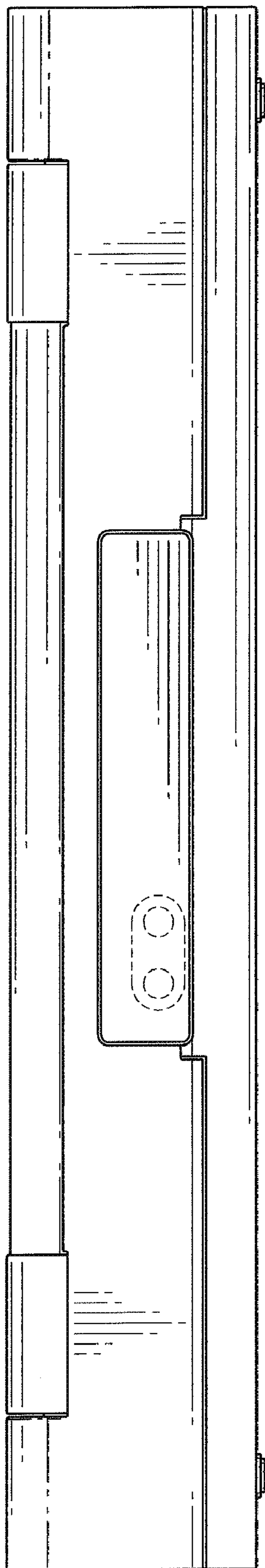


FIG. 3

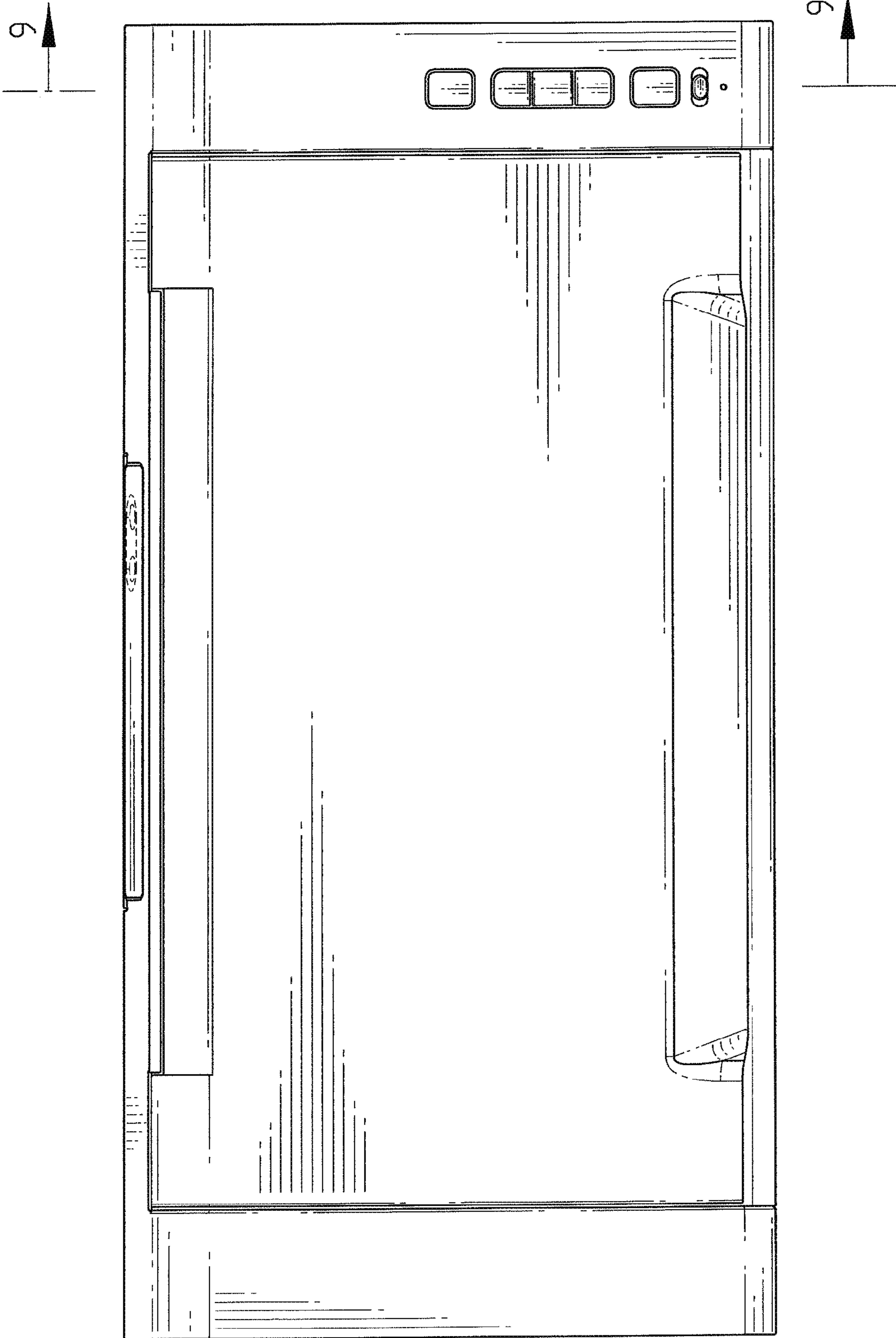


FIG. 4

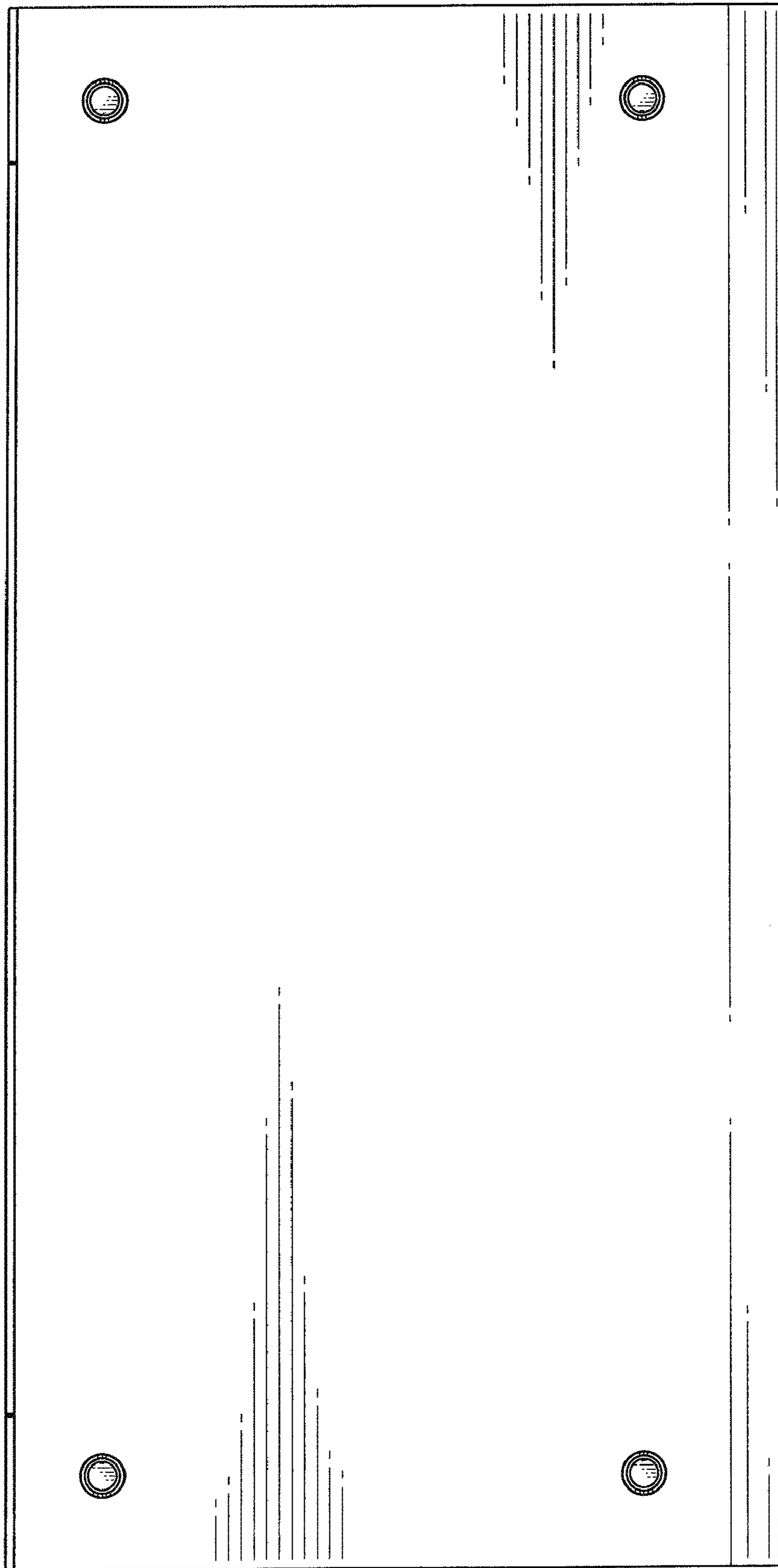


FIG. 5

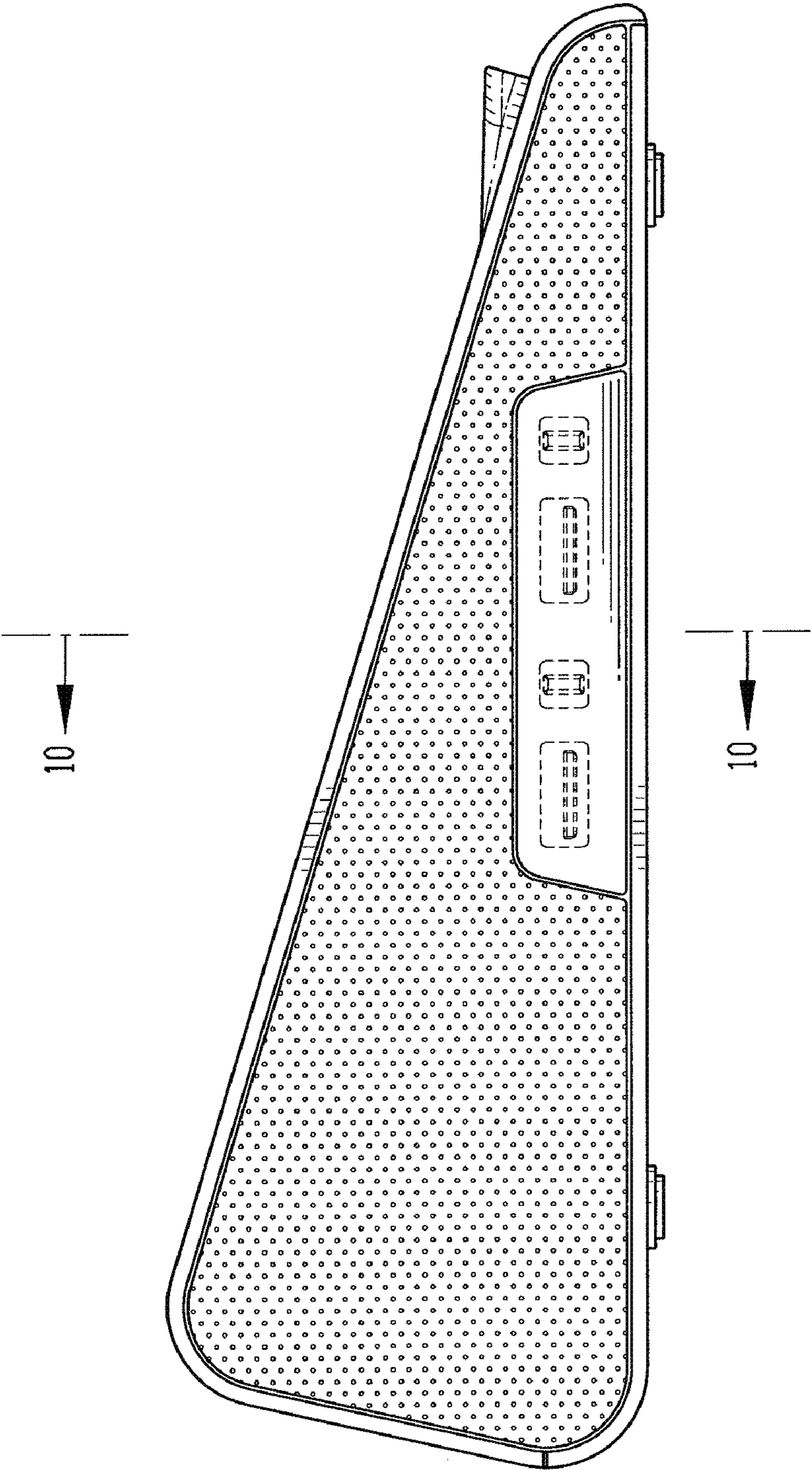


FIG. 6

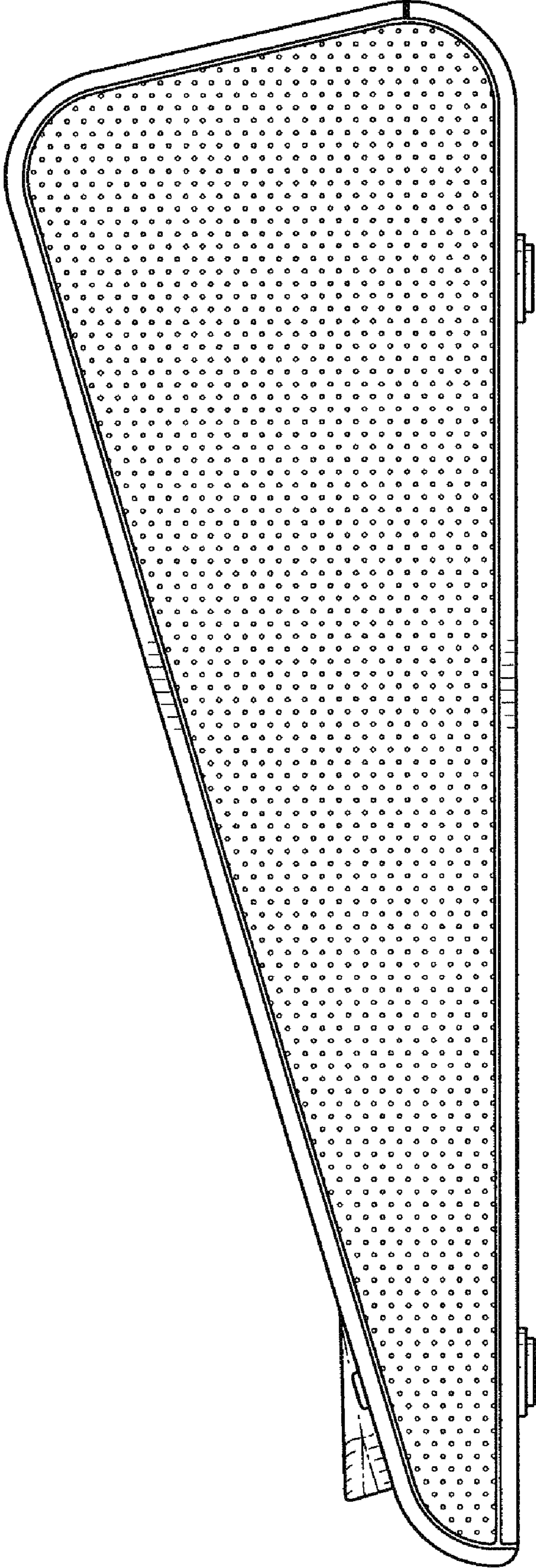


FIG. 7

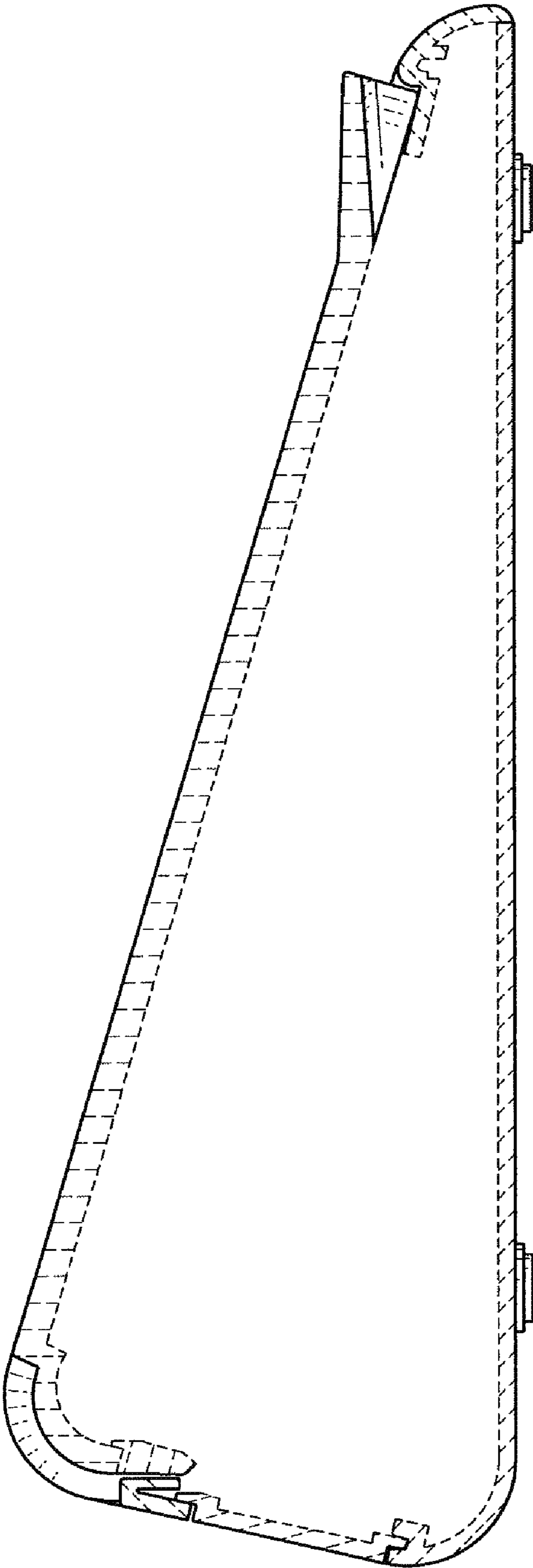


FIG. 8

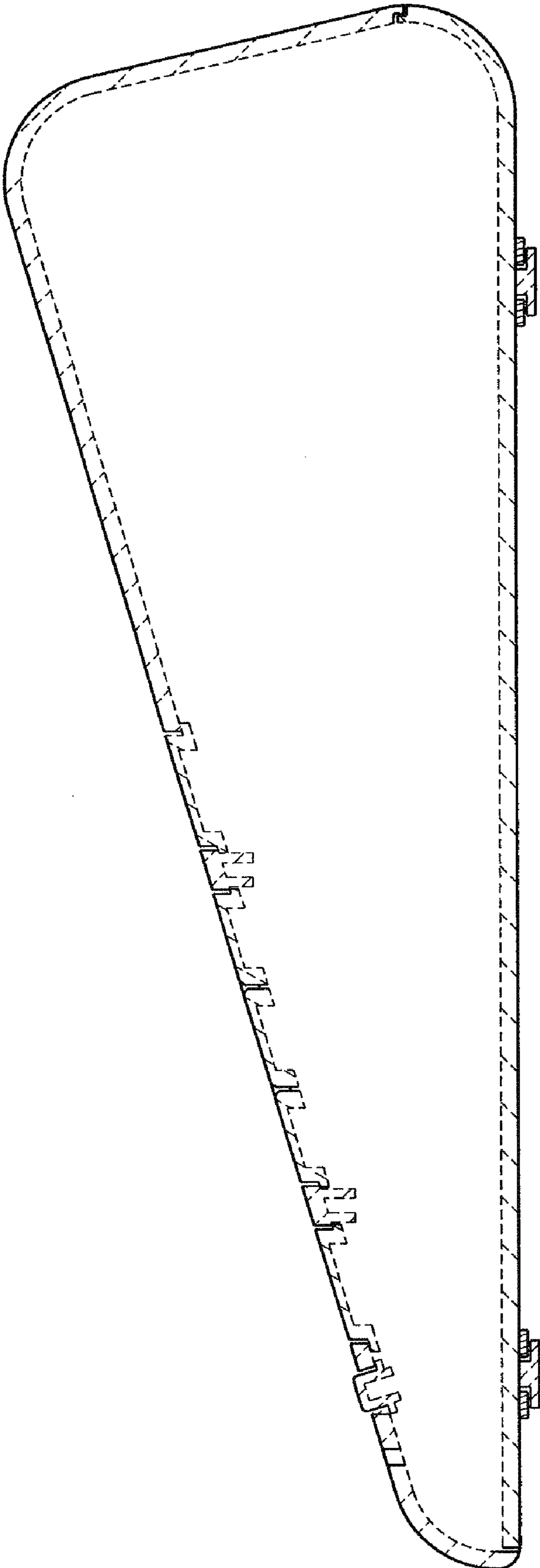


FIG. 9

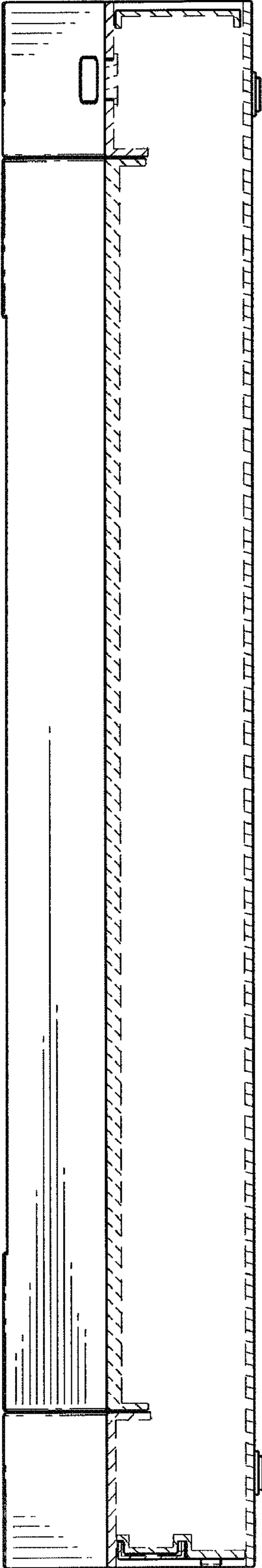


FIG. 10

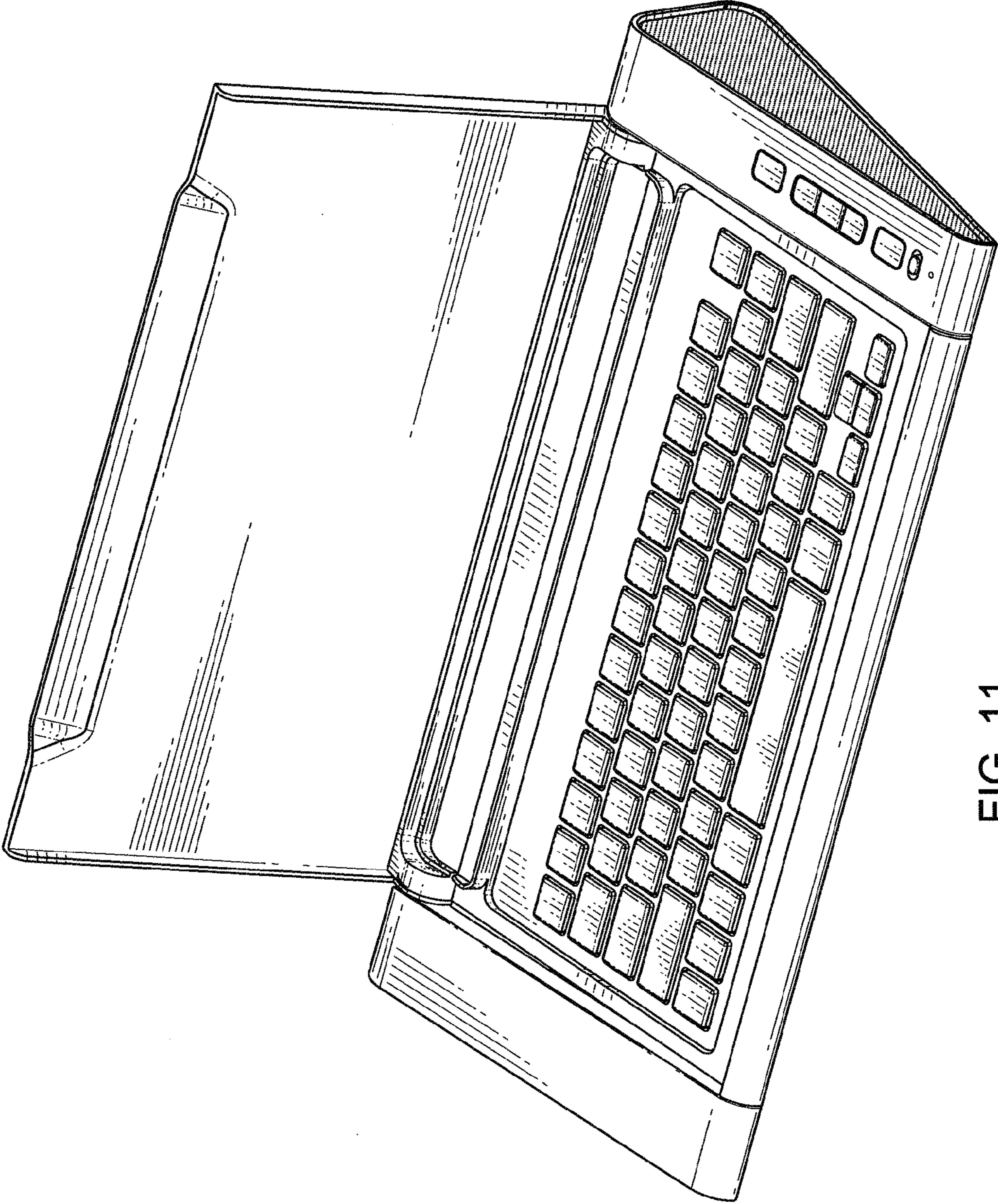
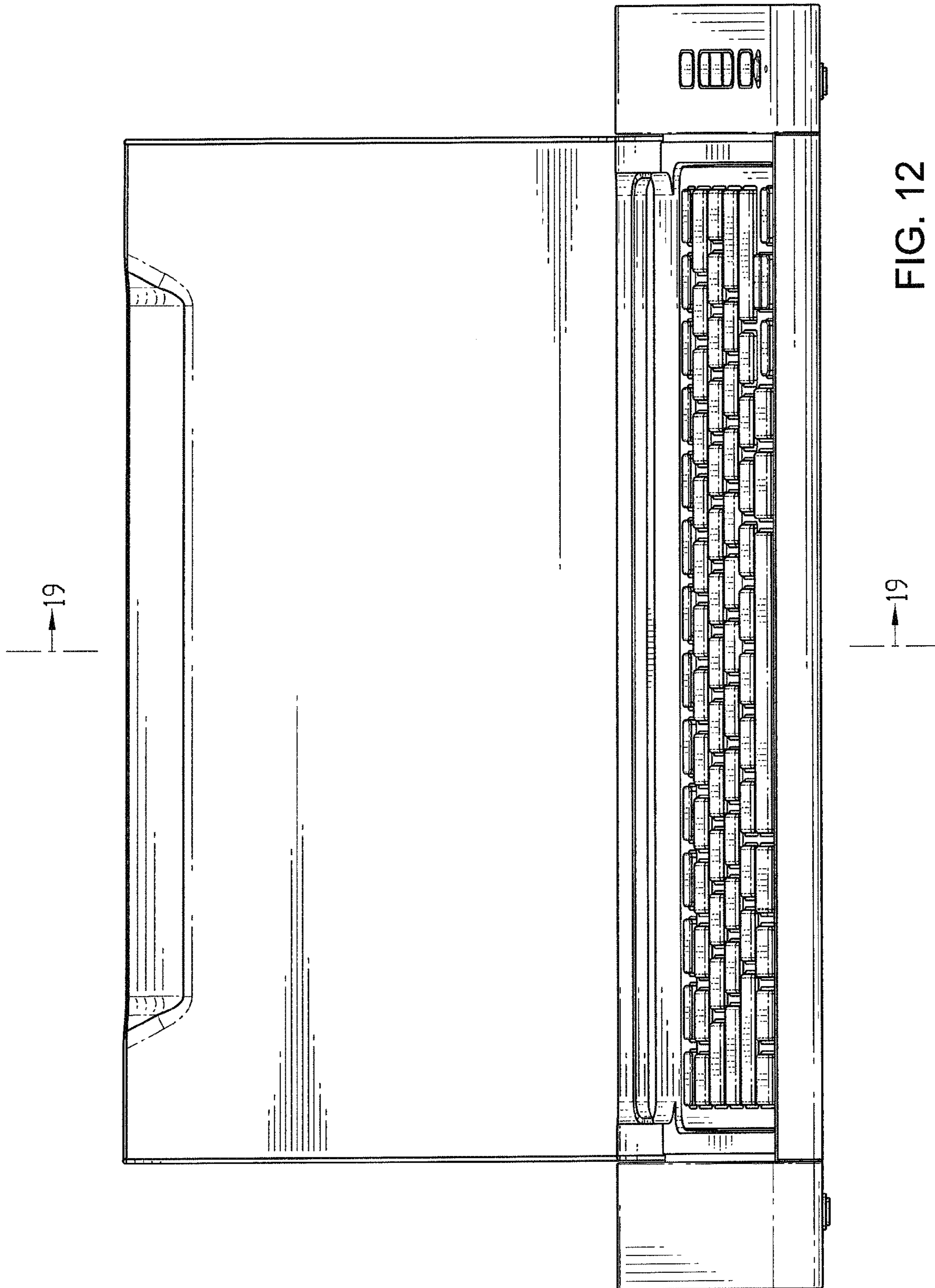


FIG. 11



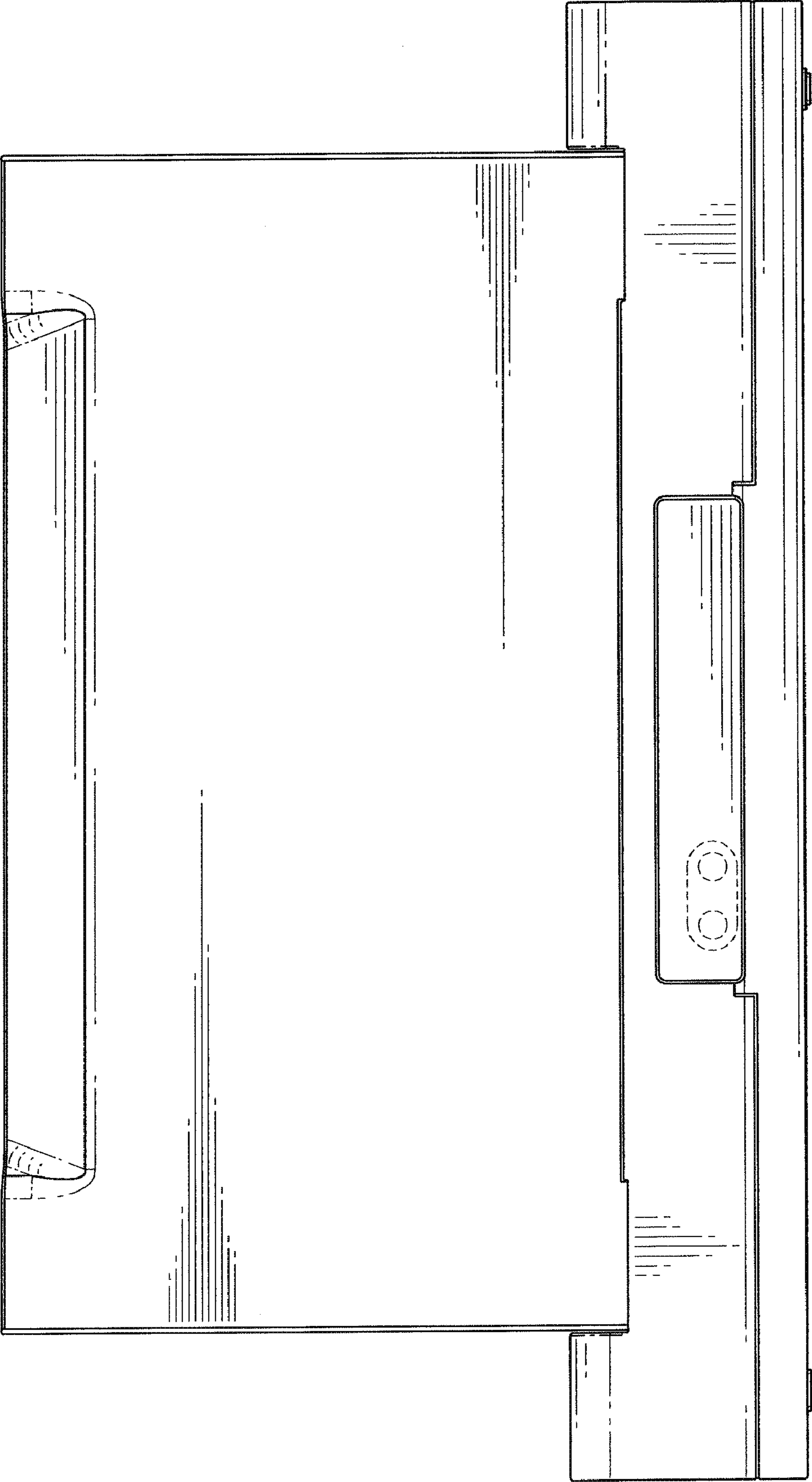


FIG. 13

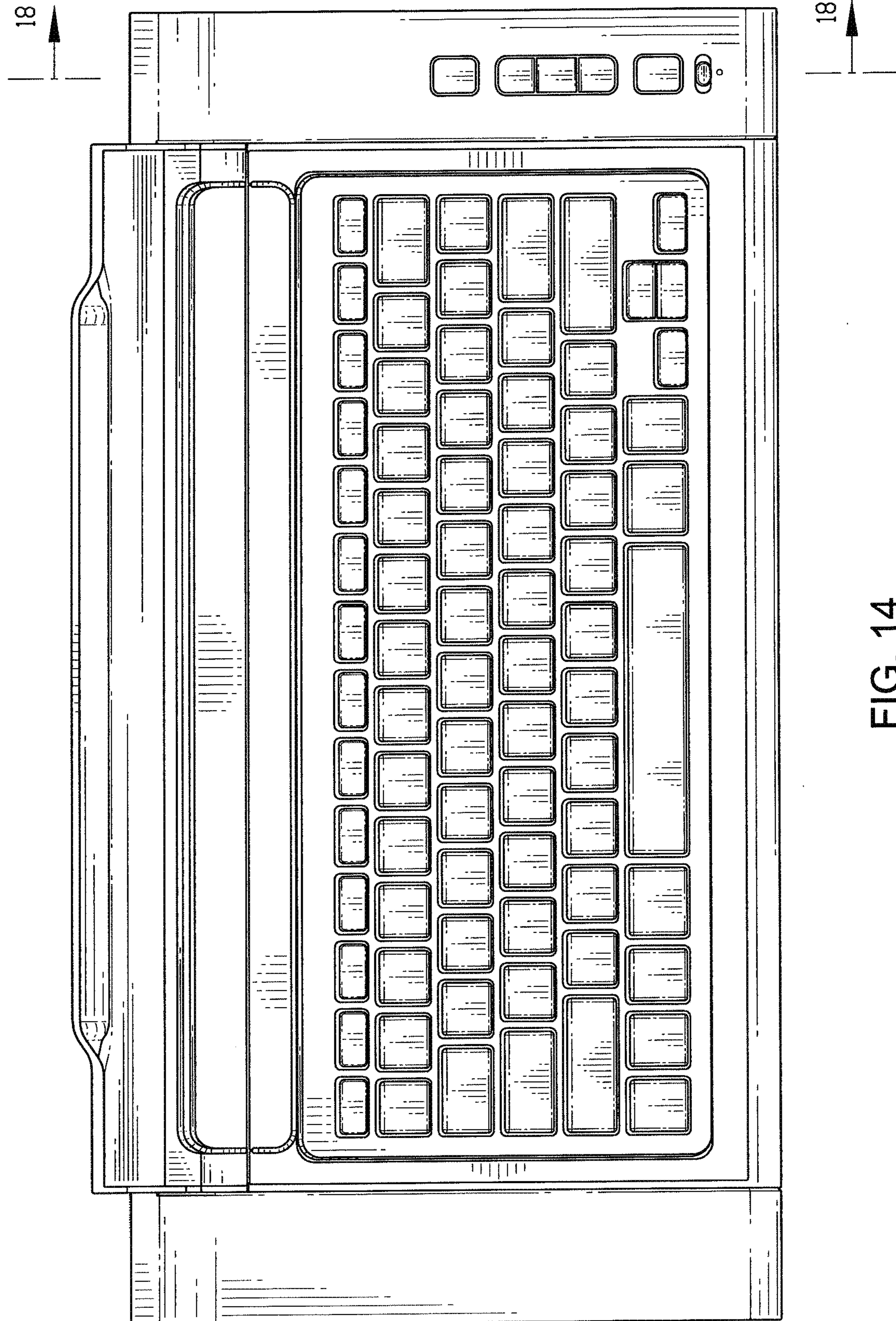


FIG. 14

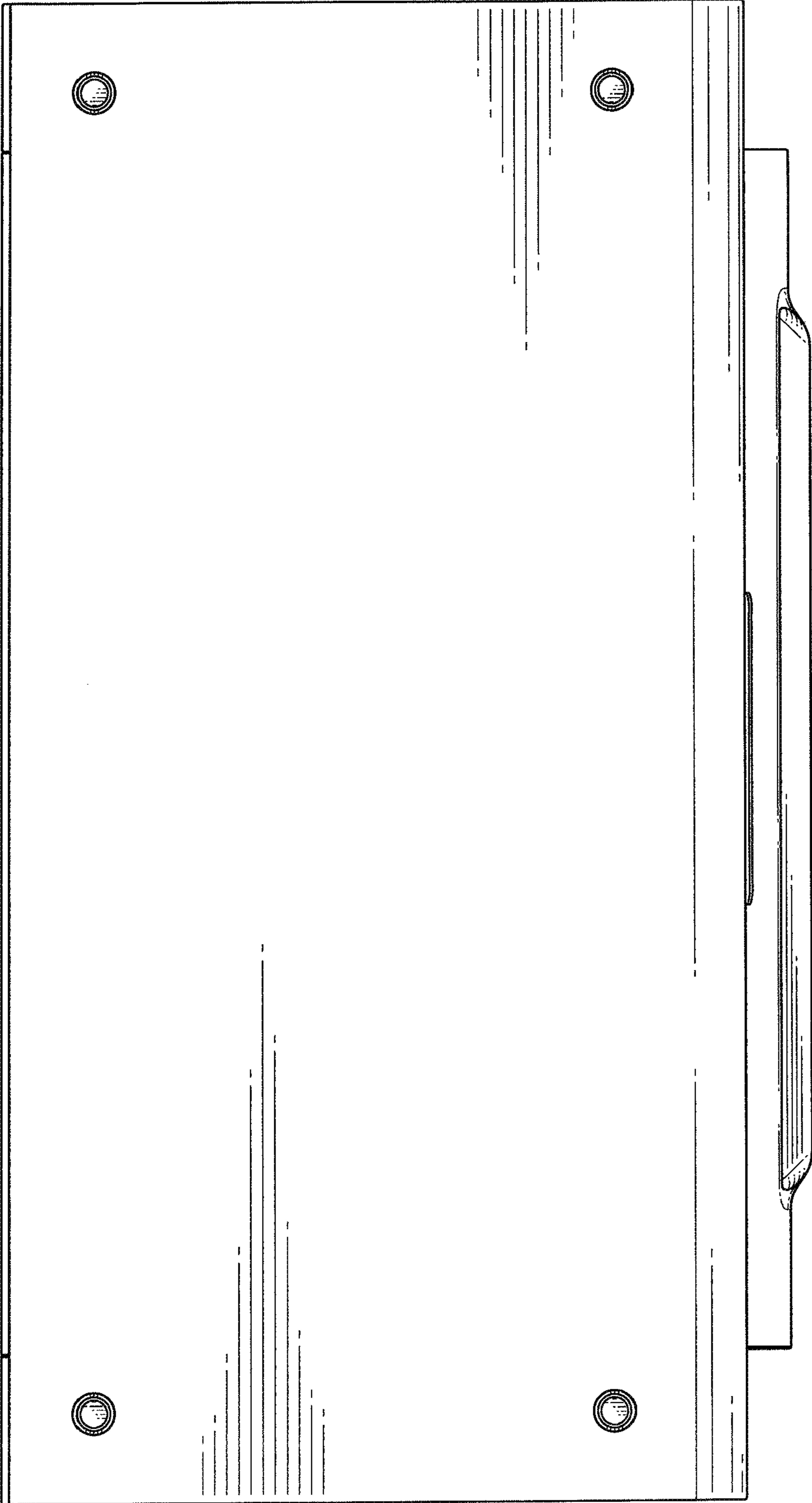


FIG. 15

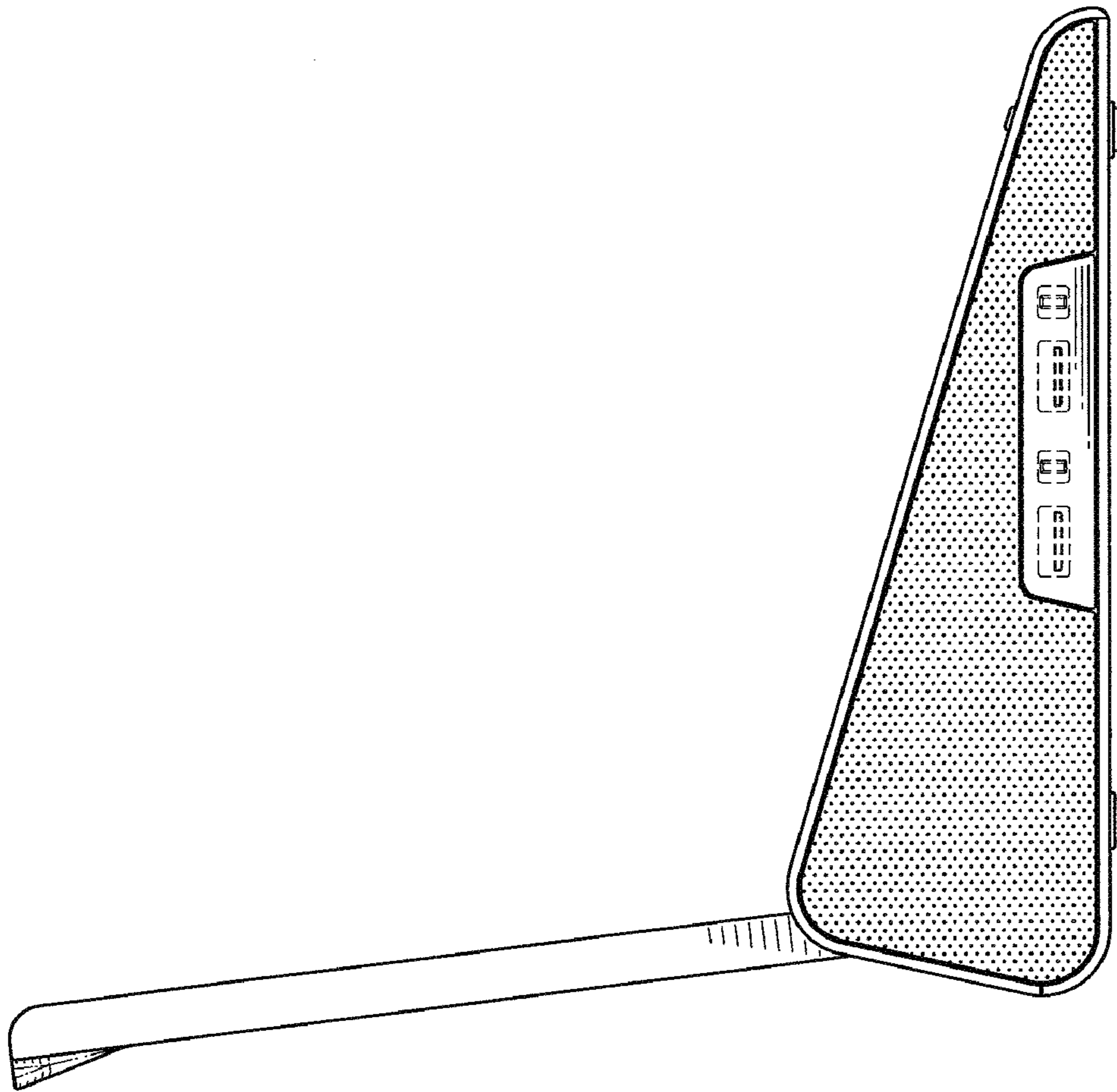


FIG. 16

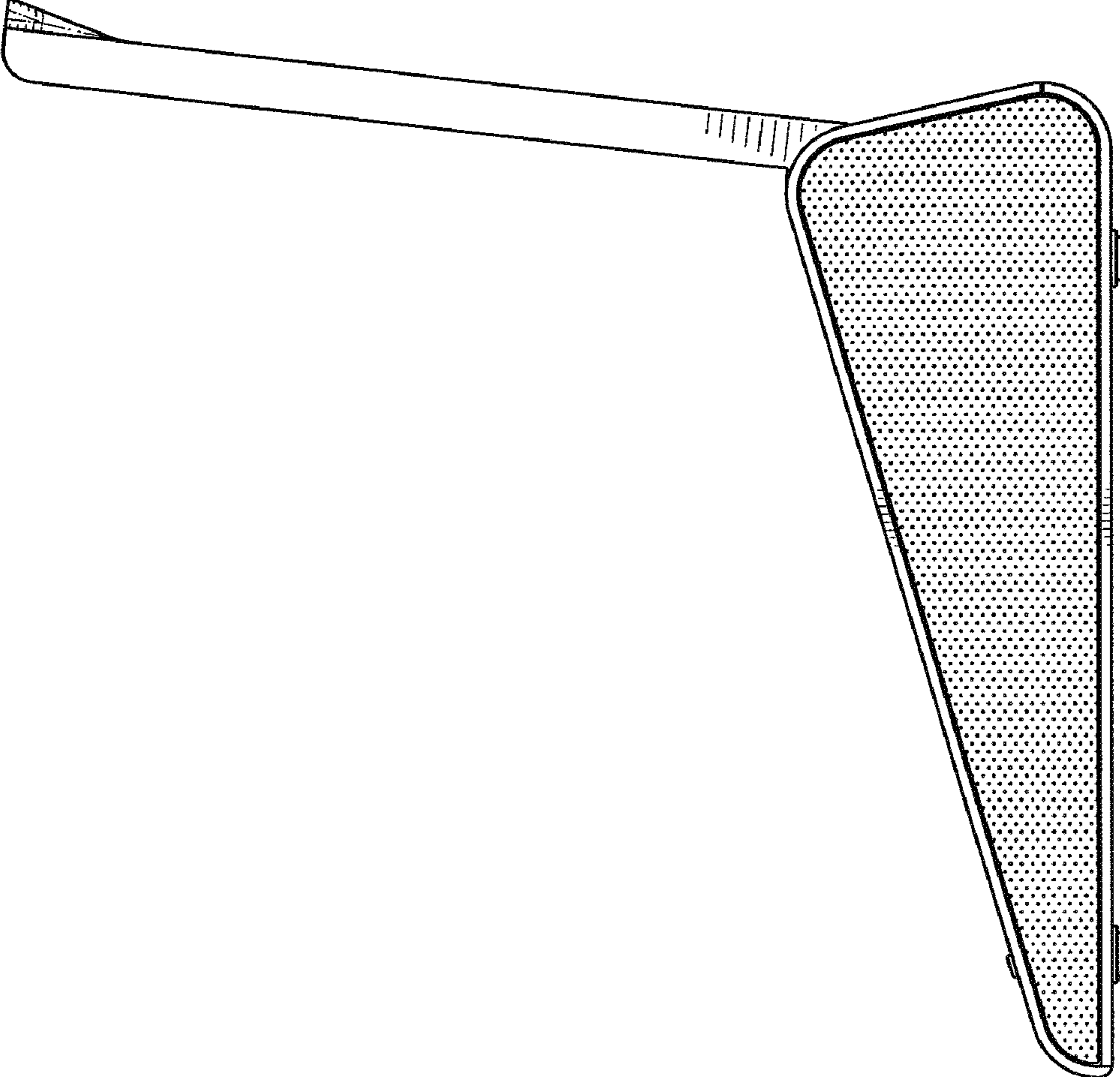


FIG.17

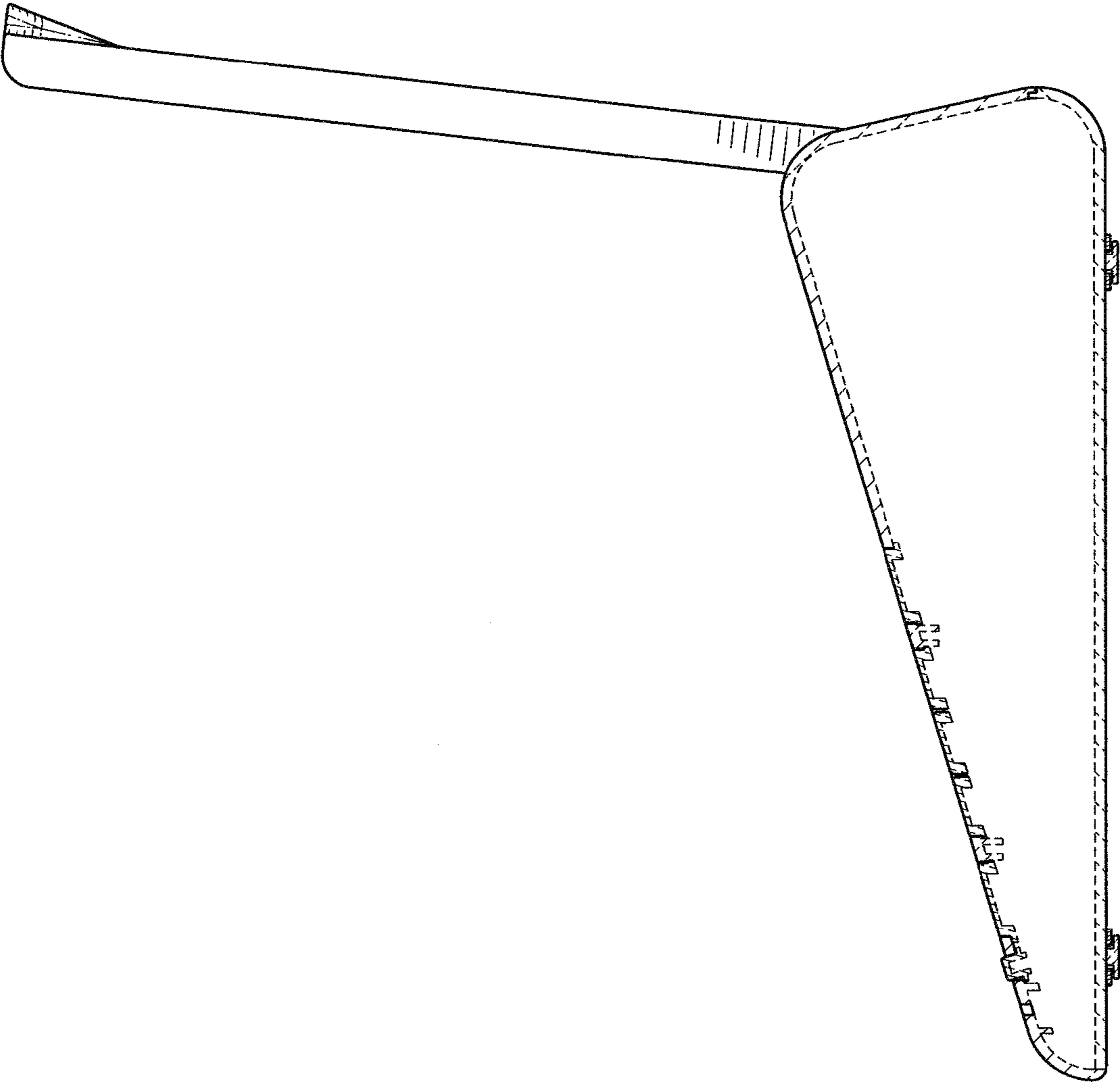


FIG.18

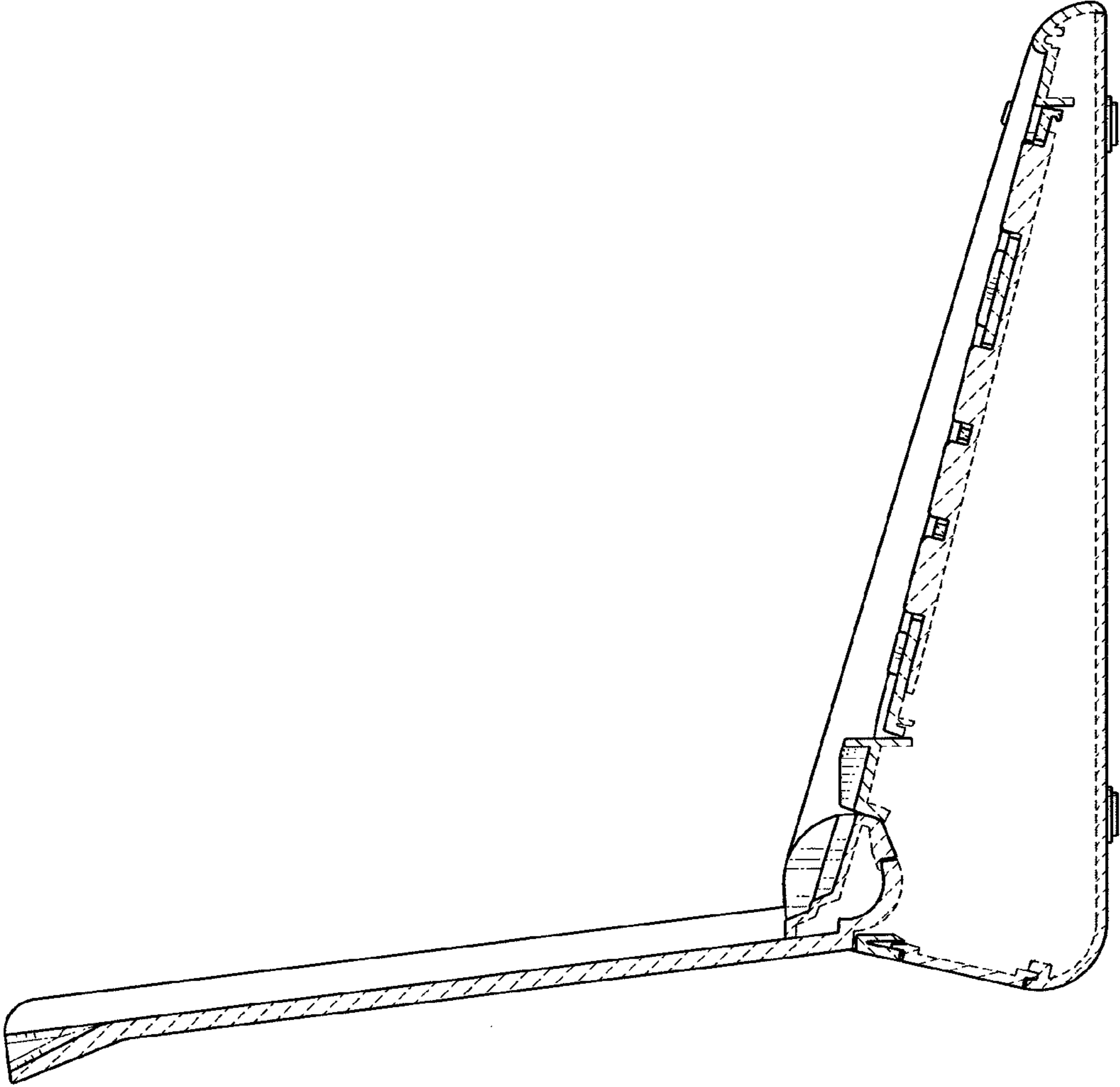


FIG.19