



US00D676412S

(12) **United States Design Patent**  
**Holzer**

(10) **Patent No.:** **US D676,412 S**

(45) **Date of Patent:** **\*\* Feb. 19, 2013**

(54) **SPEAKER SYSTEM ALARM CLOCK RADIO**

(75) Inventor: **Eric Holzer**, Piscataway, NJ (US)

(73) Assignee: **SDI Technologies, Inc.**, Rahway, NJ (US)

(\*\*) Term: **14 Years**

(21) Appl. No.: **29/408,179**

(22) Filed: **Dec. 8, 2011**

(51) **LOC (9) Cl.** ..... **14-03**

(52) **U.S. Cl.** ..... **D14/171; D14/209.1; D14/214**

(58) **Field of Classification Search** ..... D14/137, D14/140, 142, 149, 155, 157, 158, 168, 170, D14/171, 188, 189, 194-198, 203.1-203.8, D14/204, 209.1, 210, 212, 214, 215, 217, D14/224.1, 243, 251, 432-435.1, 447, 451, D14/480.1-480.7, 496; D13/107, 108, 118; 320/107, 110, 113-115; 361/600; 439/529, 439/534; 455/90.1-90.3, 556.1-556.2, 557; D10/2; 312/7.1; 369/6-12

See application file for complete search history.

(56) **References Cited**

**U.S. PATENT DOCUMENTS**

D542,265 S \* 5/2007 Hussaini et al. .... D14/170  
D557,256 S \* 12/2007 Joseph ..... D14/214  
D572,702 S \* 7/2008 Bart ..... D14/171

D577,743 S \* 9/2008 Liu ..... D14/496  
D580,952 S \* 11/2008 Liu ..... D14/496  
D582,887 S \* 12/2008 Poandl ..... D14/172  
D586,327 S \* 2/2009 Shimizu ..... D14/188  
D616,412 S \* 5/2010 Garrett ..... D14/171  
D642,154 S \* 7/2011 Poandl ..... D14/171  
D656,919 S \* 4/2012 Skurdal ..... D14/171  
D658,151 S \* 4/2012 Joseph ..... D14/171

\* cited by examiner

*Primary Examiner* — Keli L Hill

(74) *Attorney, Agent, or Firm* — Ostrolenk Faber LLP

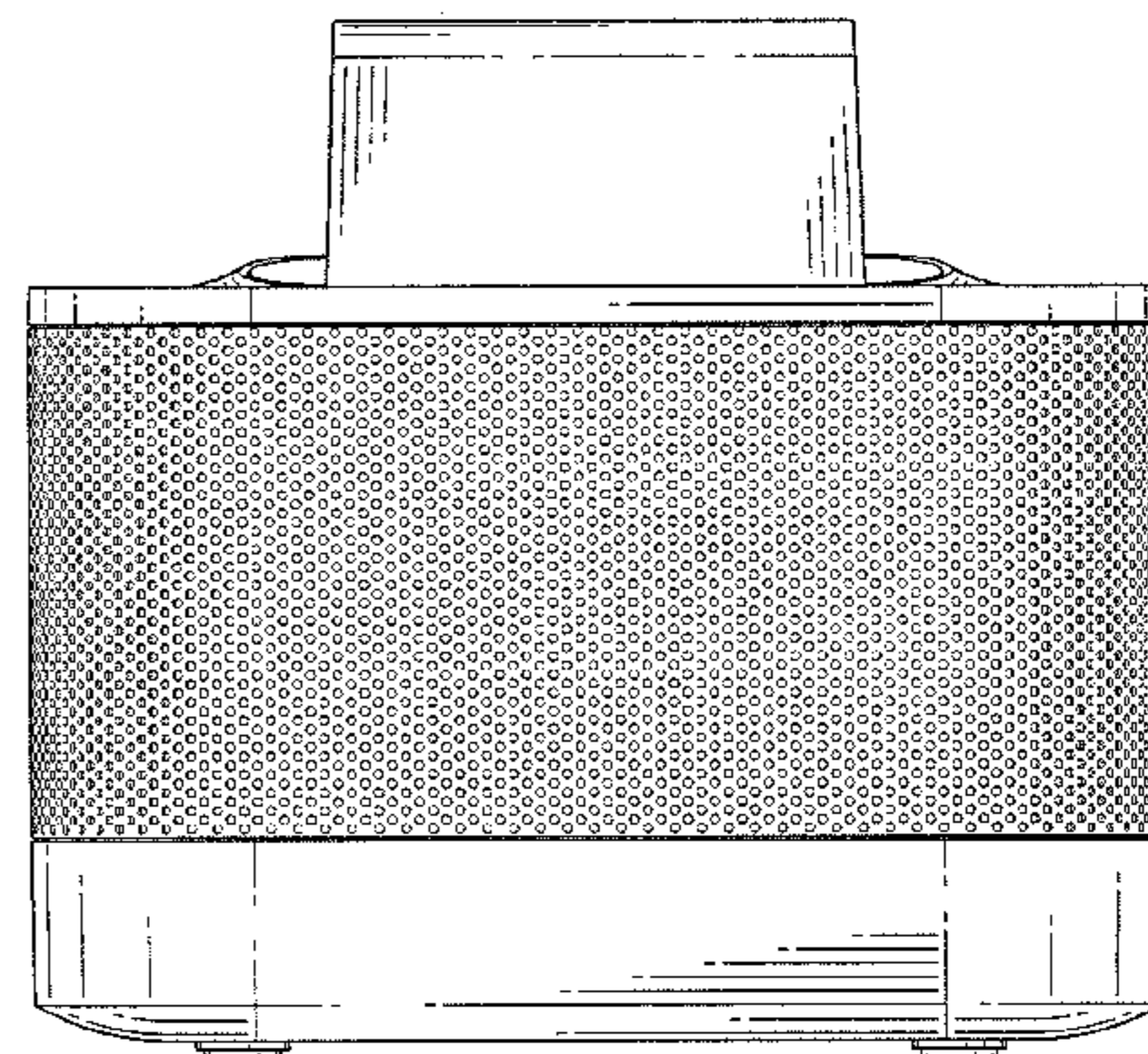
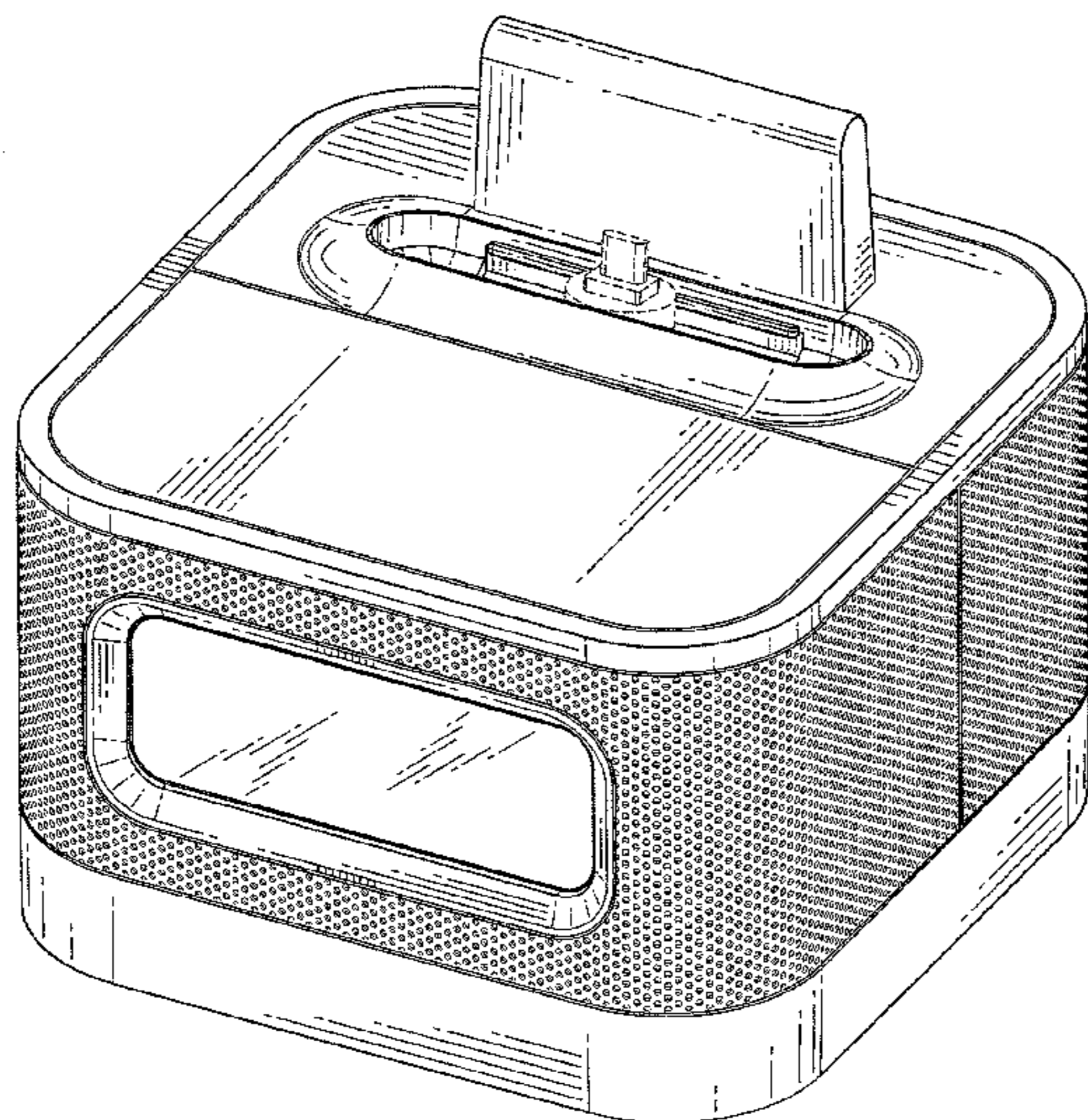
(57) **CLAIM**

The ornamental design for a speaker system alarm clock radio, as shown and described.

**DESCRIPTION**

FIG. 1 is a top, right side, perspective view of a speaker system alarm clock radio showing my new design; FIG. 2 is a front view thereof; FIG. 3 is a rear view thereof; FIG. 4 is a top view thereof; FIG. 5 is a bottom view thereof; FIG. 6 is a right side view thereof, the opposite view being a mirror image; FIG. 7 is a cross-sectional view thereof on line 7-7 in FIG. 2; and, FIG. 8 is a cross-sectional view thereof on line 8-8 in FIG. 4. The broken lines in the drawings illustrate environmental material that forms no part of the claimed design.

**1 Claim, 8 Drawing Sheets**



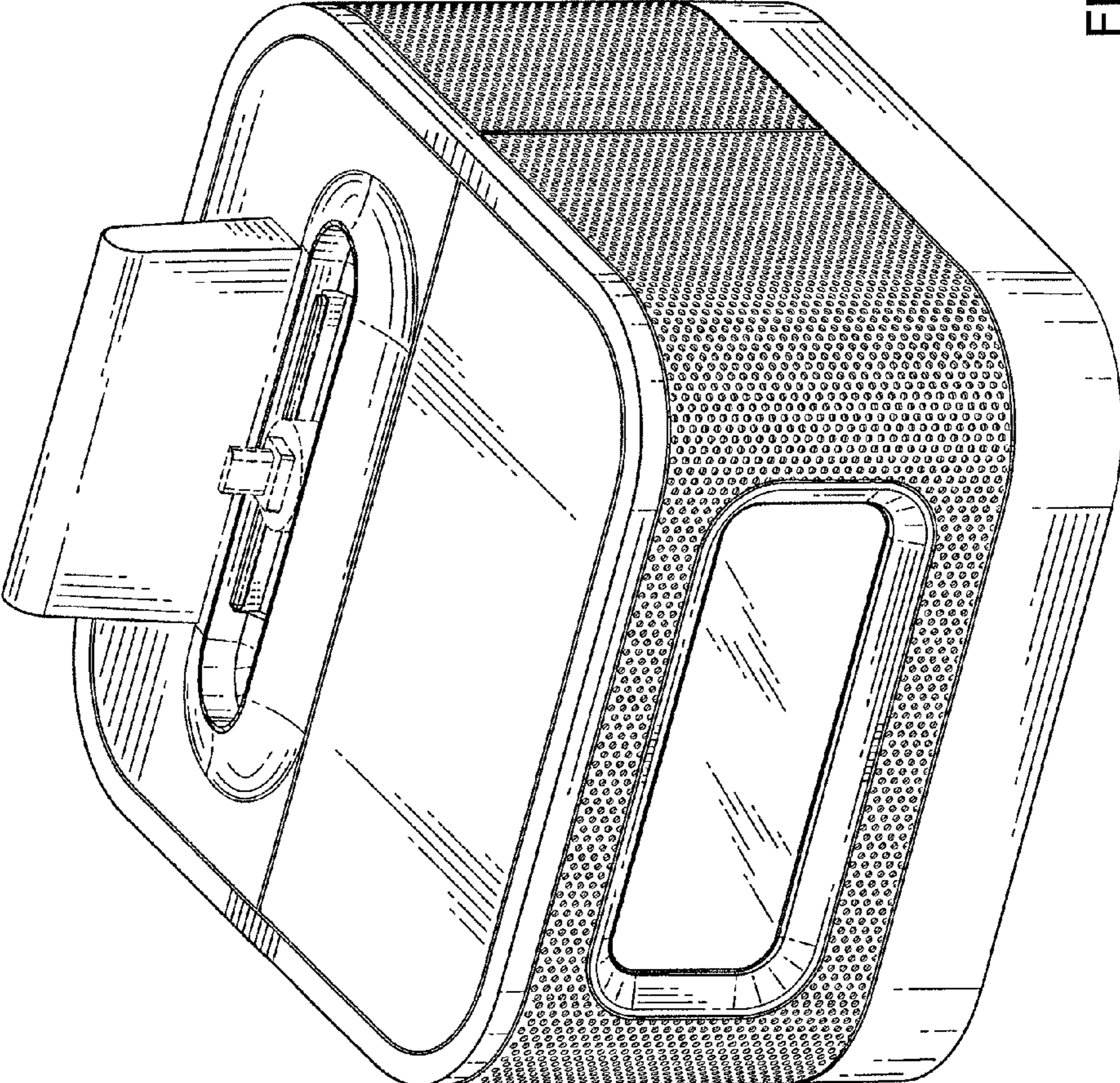


FIG.1

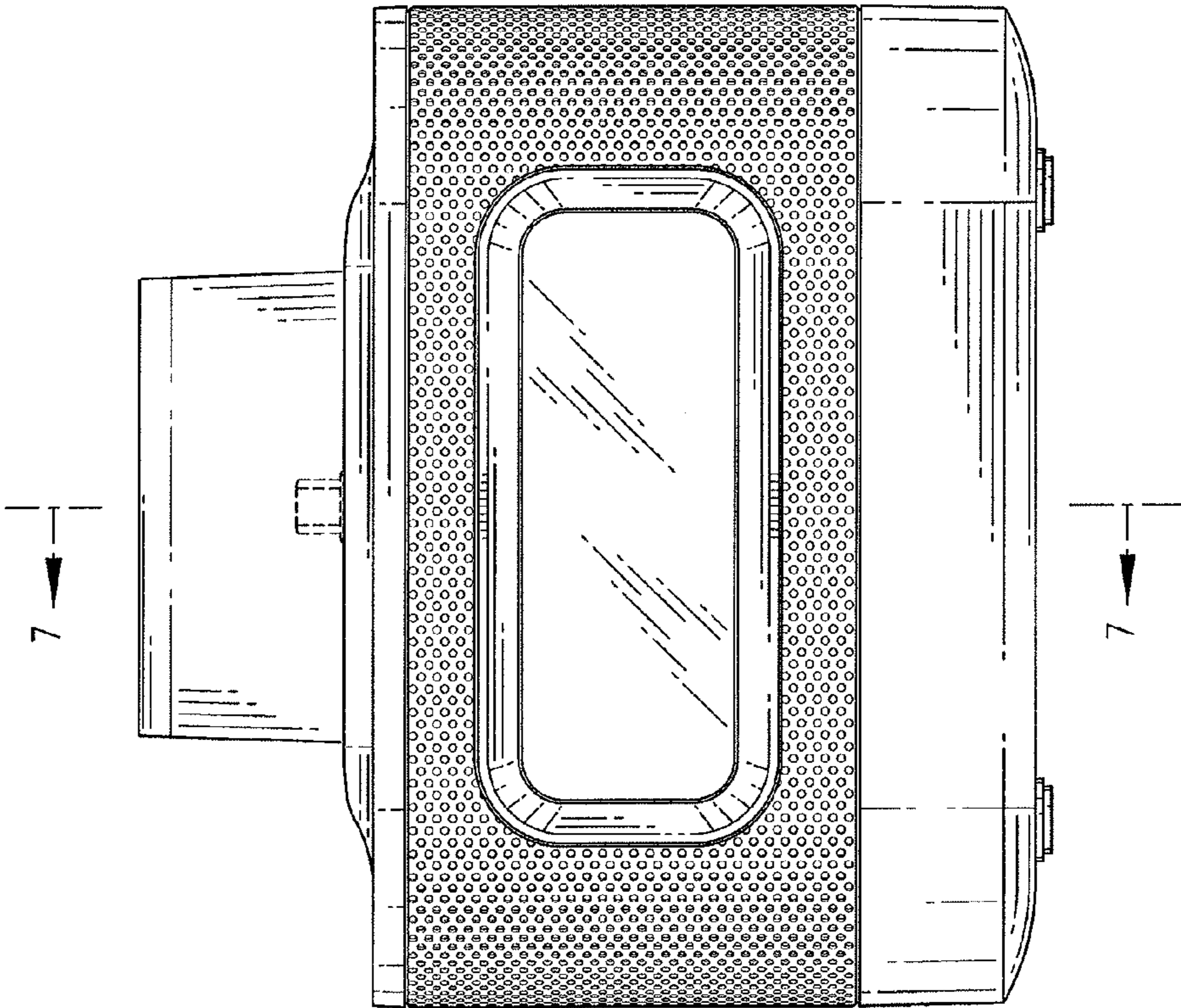


FIG. 2

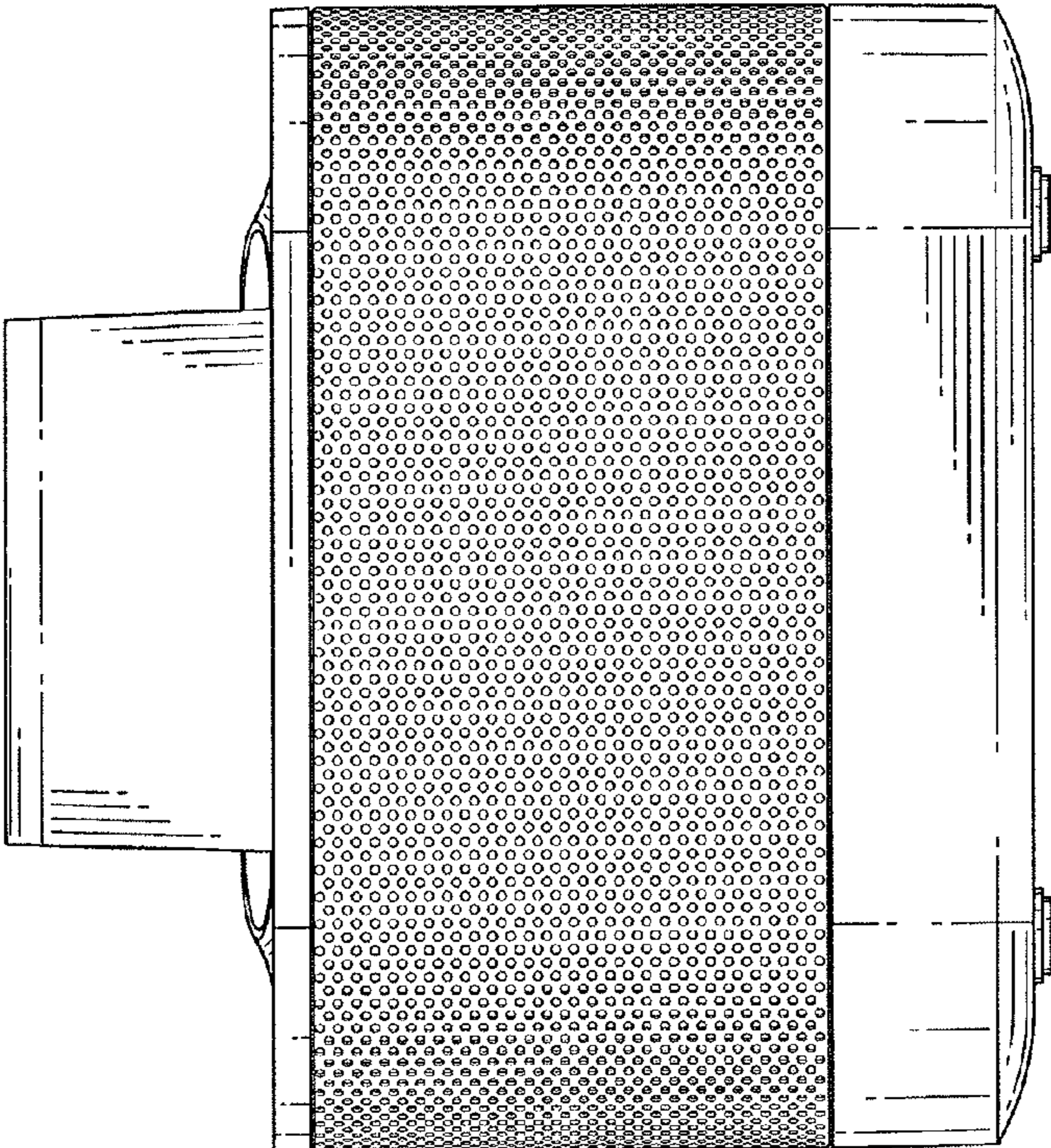


FIG. 3

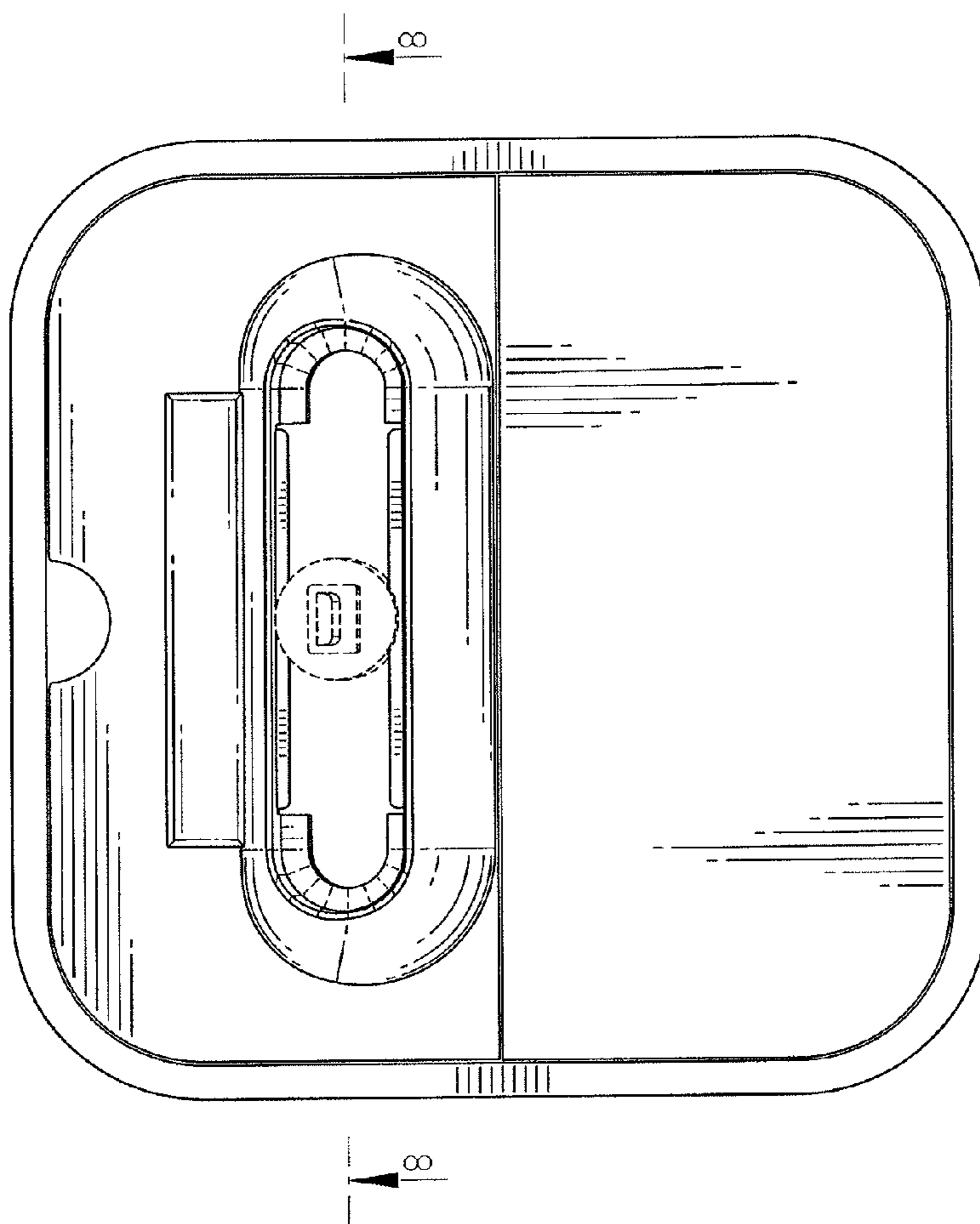


FIG. 4

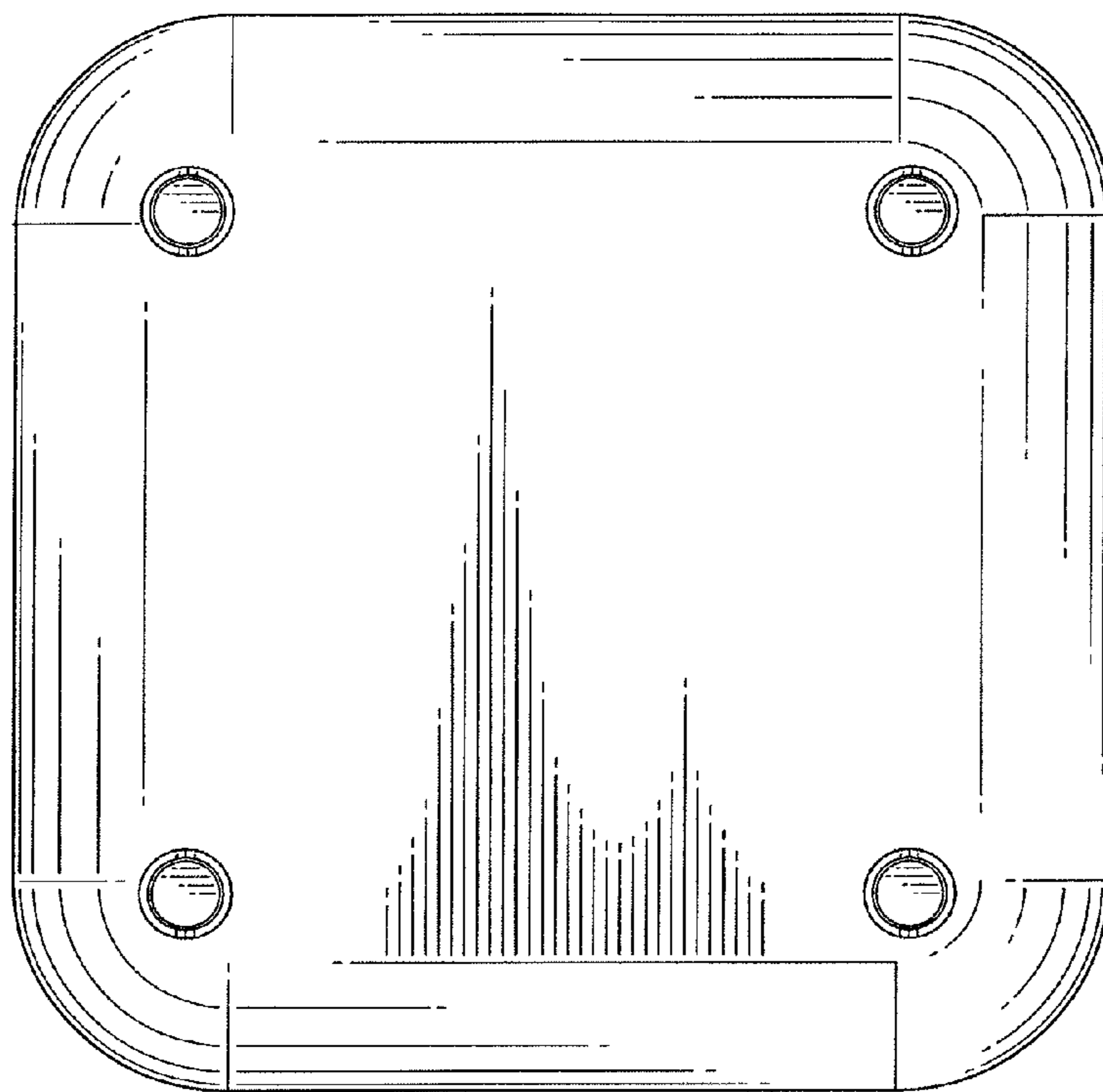


FIG. 5

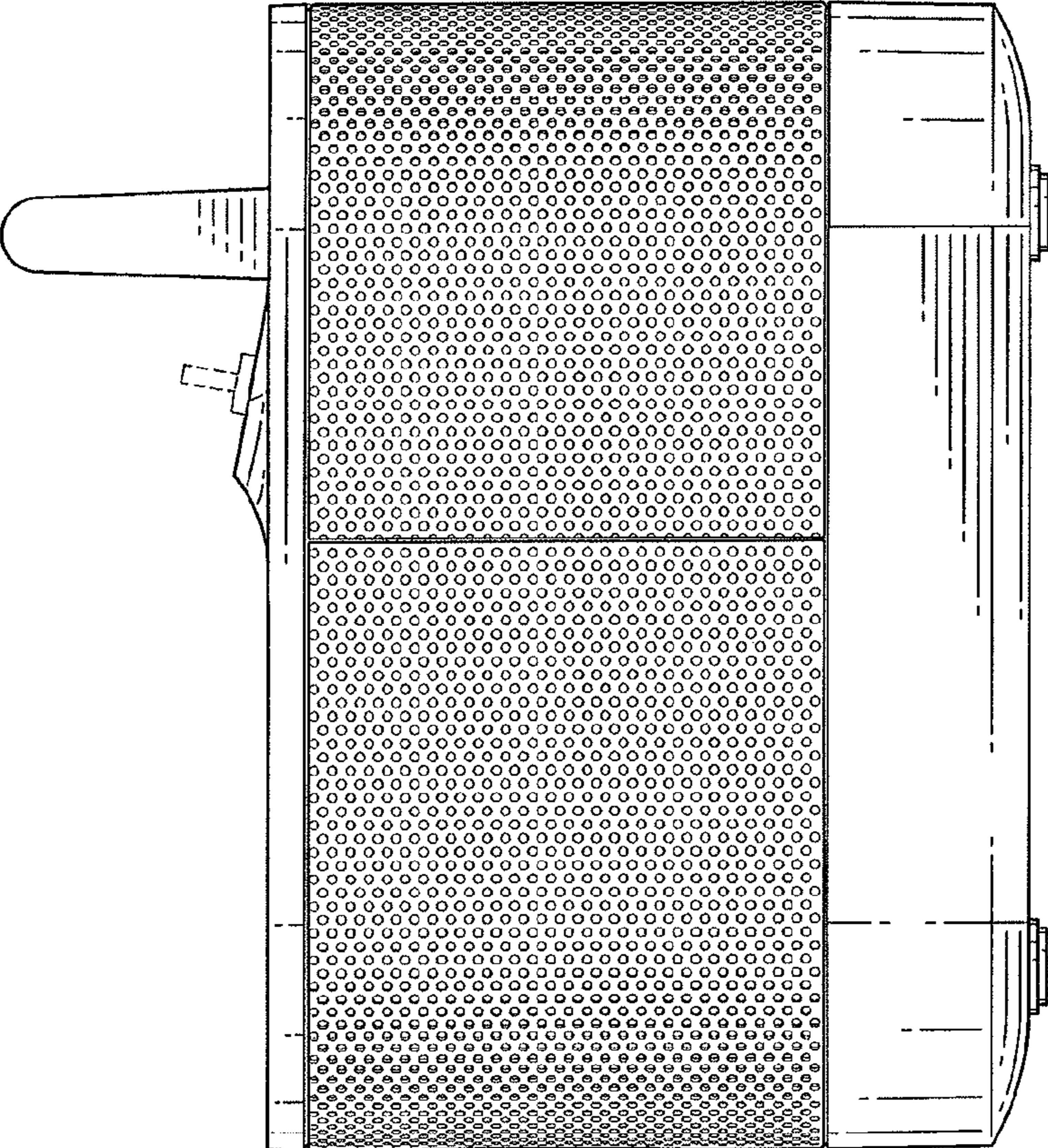


FIG. 6

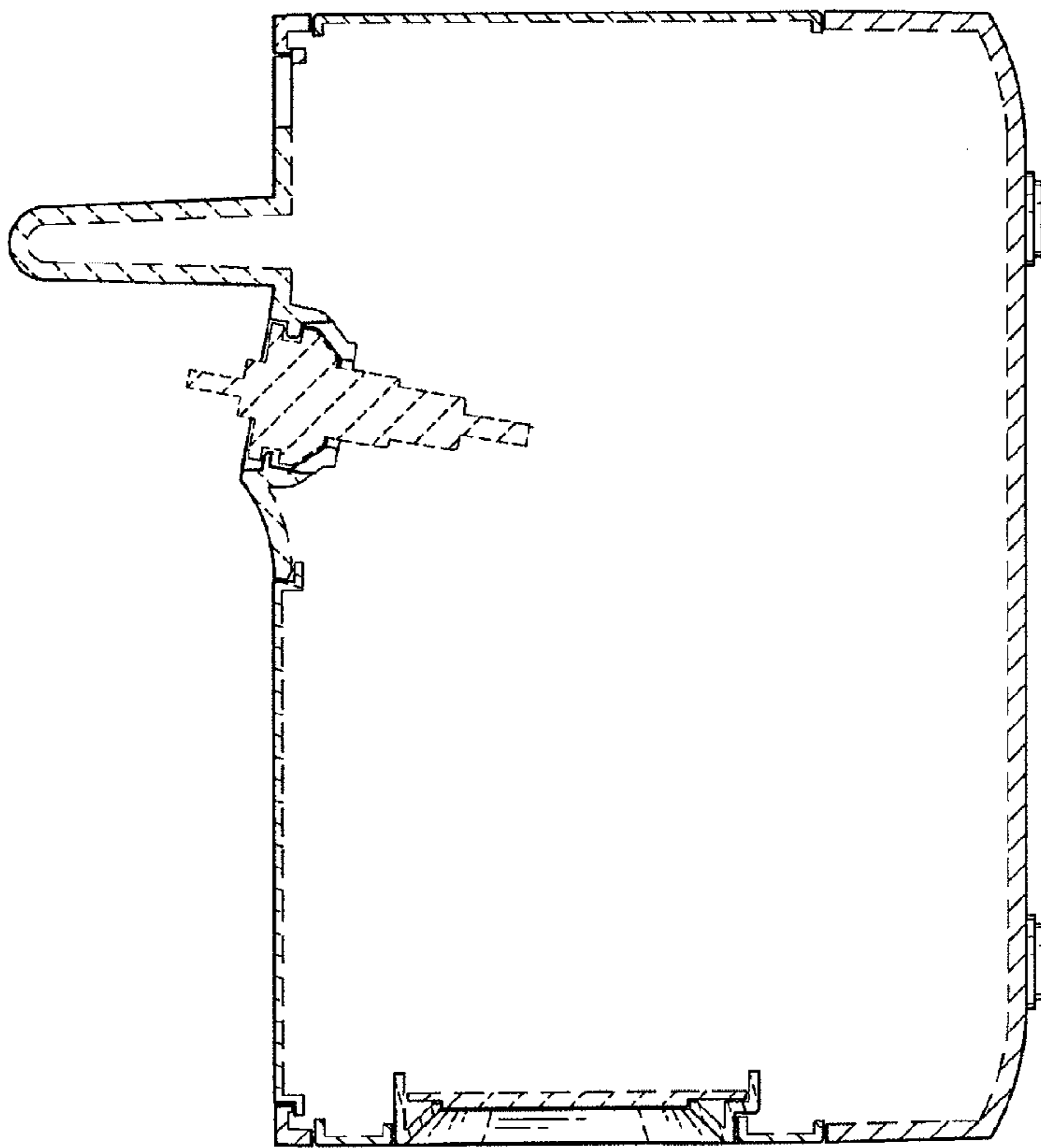


FIG. 7



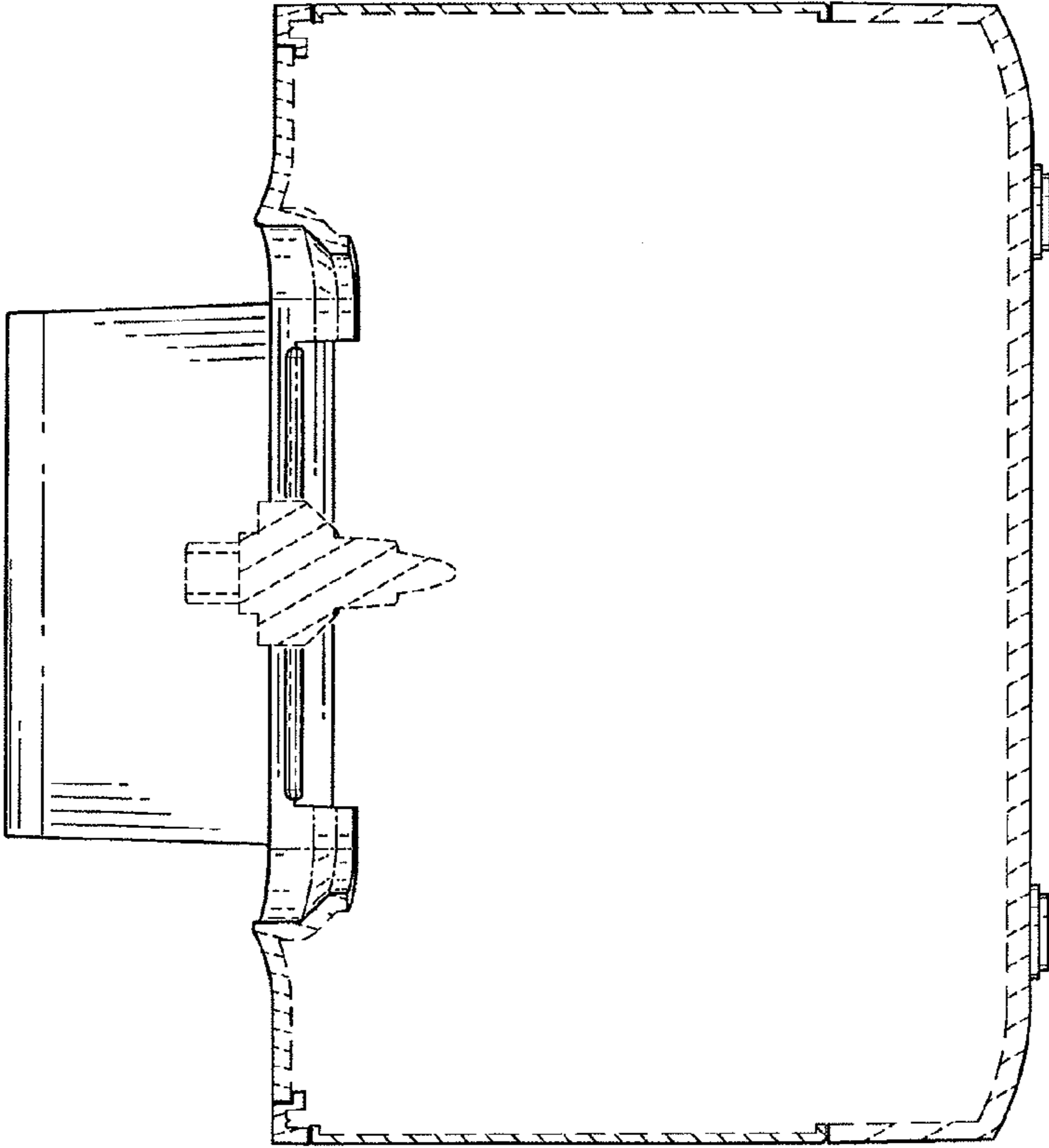


FIG. 8