



US00D676408S

(12) **United States Design Patent**
Kim

(10) **Patent No.:** **US D676,408 S**
(45) **Date of Patent:** **** Feb. 19, 2013**

(54) **MOBILE TERMINAL**

(75) Inventor: **Kang-Moon Kim**, Seoul (KR)

(73) Assignee: **Samsung Electronics Co., Ltd.** (KR)

(**) Term: **14 Years**

(21) Appl. No.: **29/422,788**

(22) Filed: **May 24, 2012**

(30) **Foreign Application Priority Data**

Dec. 23, 2011 (KR) 30-2011-0054979

(51) **LOC (9) Cl.** **14-03**

(52) **U.S. Cl.** **D14/138 AA**

(58) **Field of Classification Search** D14/138 AA,
D14/138 R, 496, 341, 345, 346, 203.1, 203.4,
D14/203.7, 147, 218; D21/517; 455/575.1,
455/556.2; 379/433.01, 433.04

See application file for complete search history.

(56) **References Cited**

U.S. PATENT DOCUMENTS

D574,800	S	*	8/2008	Stillerman	D14/138 AA
D577,351	S	*	9/2008	Kim et al.	D14/138 AA
D577,371	S	*	9/2008	Hu et al.	D14/496
D589,922	S	*	4/2009	Boyd et al.	D14/138 AA
D597,510	S	*	8/2009	Anderson	D14/138 AA
D597,538	S	*	8/2009	Schellen	D14/248
D601,531	S	*	10/2009	Lee et al.	D14/138 AA
D606,039	S	*	12/2009	Henning	D14/138 AA
D608,750	S	*	1/2010	He et al.	D14/138 AA
D609,678	S	*	2/2010	Ham	D14/138 AA
D610,564	S	*	2/2010	Schellen	D14/138 AA
D617,299	S	*	6/2010	Tzeng et al.	D14/138 AA
D617,300	S	*	6/2010	Tzeng et al.	D14/138 AA
D620,466	S	*	7/2010	Kim et al.	D14/138 AA
D631,454	S	*	1/2011	Cui	D14/138 AA
D636,755	S	*	4/2011	Chen	D14/138 AA
D639,259	S	*	6/2011	Anderson	D14/138 AA
D639,265	S	*	6/2011	Kao	D14/138 AA
D640,226	S	*	6/2011	Park et al.	D14/138 AA
D643,394	S	*	8/2011	Kao	D14/13 AA
D649,130	S	*	11/2011	Ge et al.	D14/138 AA

D657,333	S	*	4/2012	Yun et al.	D14/138 AA
8,219,167	B2	*	7/2012	Hsiao	455/575.8
2009/0170576	A1	*	7/2009	Minamide et al.	455/575.4

OTHER PUBLICATIONS

Samsung E3210 telephone, announced Feb. 2011, [online], [site visited Sep. 10, 2012]. Available from Internet, <URL: http://www.gsmarena.com/samsung_e3210-3766.php>.*

Samsung S5610 telephone, announced Aug. 2011, [online], [site visited Sep. 10, 2012]. Available from Internet, <URL: http://www.gsmarena.com/samsung_s5610-4191.php>.*

Nokia 3500 classic telephone, announced Oct. 2007, [online], [site visited Sep. 10, 2012]. Available from Internet, <URL: http://www.gsmarena.com/nokia_3500_classic-2012.php>.*

Nokia 7310 Supernova telephone, announced Jun. 2008, [online], [site visited Sep. 10, 2012]. Available from Internet, <URL: http://www.gsmarena.com/nokia_7310_supernova-2446.php>.*

Nokia C5 telephone, announced Mar. 2010, [online], [site visited Sep. 10, 2012]. Available from Internet, <URL: http://www.gsmarena.com/nokia_c5-3122.php>.*

ZTE R230 telephone, announced 2010, [online], [site visited Sep. 10, 2012]. Available from Internet, <URL: http://www.gsmarena.com/verykool_i125-4438.php>.*

(Continued)

Primary Examiner — Jeffrey D Asch

(74) *Attorney, Agent, or Firm* — NSIP Law

(57) **CLAIM**

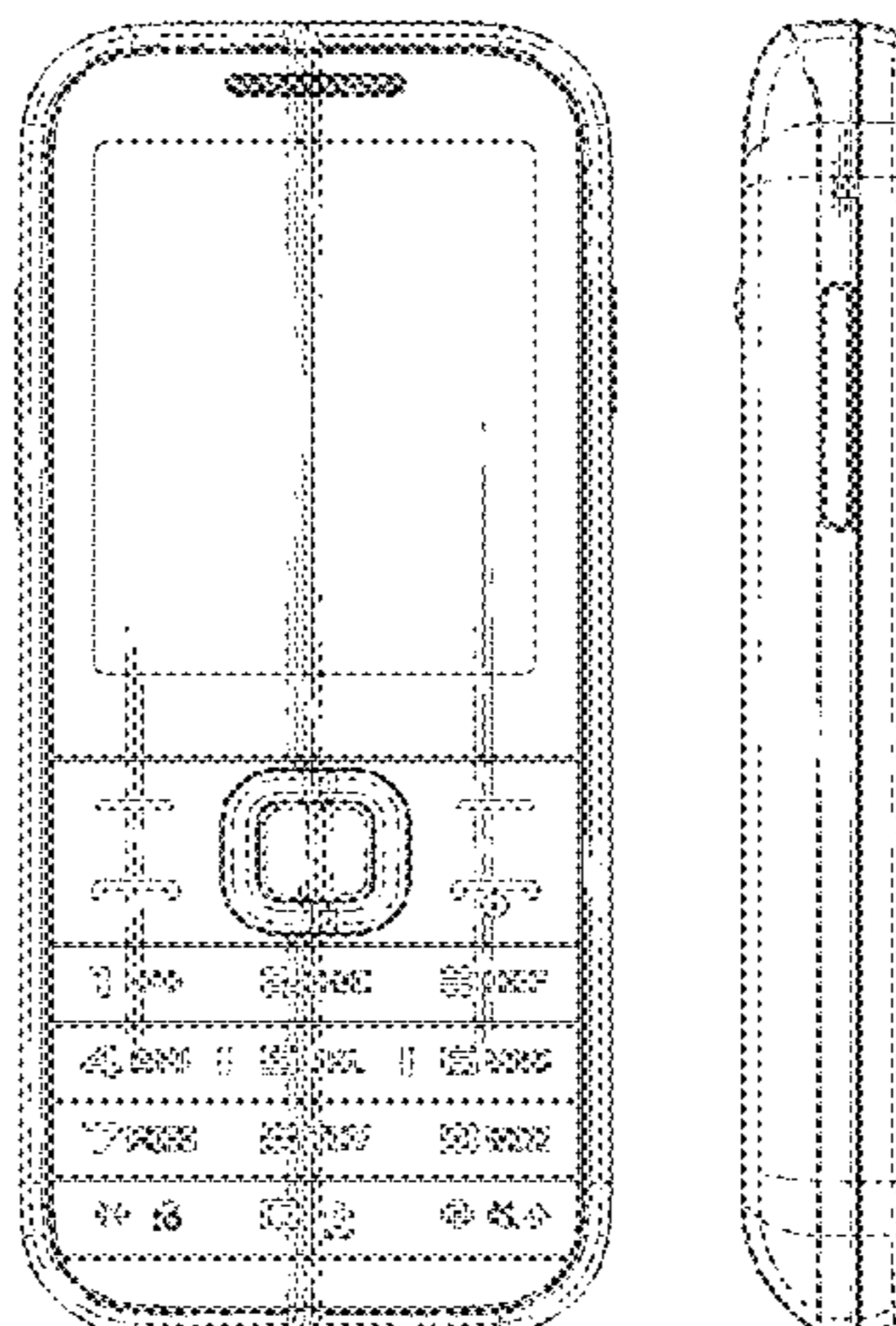
The ornamental design for a mobile terminal, as shown and described.

DESCRIPTION

FIG. 1 is a front perspective view of a mobile terminal; FIG. 2 is a front view of the mobile terminal of FIG. 1; FIG. 3 is a rear view of the mobile terminal of FIG. 1; FIG. 4 is a left-side view of the mobile terminal of FIG. 1; FIG. 5 is a right-side view of the mobile terminal of FIG. 1; FIG. 6 is a top plan view of the mobile terminal of FIG. 1; FIG. 7 is a bottom plan view of the mobile terminal of FIG. 1; and, FIG. 8 is a rear perspective view of the mobile terminal of FIG. 1.

Features drawn in broken lines in FIGS. 1 and 2 for no part of the claimed design.

1 Claim, 6 Drawing Sheets



OTHER PUBLICATIONS

Celkon C747 telephone, announced 2010, [online], [site visited Sep. 10, 2012]. Available from Internet, <URL: http://www.gsmarena.com/celkon_c747-4539.php>.*

Celkon C10 telephone, announced 2011, [online], [site visited Sep. 10, 2012]. Available from Internet, <URL: http://www.gsmarena.com/celkon_c10-4499.php>.*

Micromax X250 telephone, announced May 2009, [online], [site visited Sep. 10, 2012]. Available from Internet, <URL: http://www.gsmarena.com/lg_gb109-2915.php>.*

Spice M-5170 telephone, announced 2010, [online], [site visited Sep. 10, 2012]. Available from Internet, <URL: http://www.gsmarena.com/spice_m_5170-3656.php>.*

* cited by examiner

FIG. 1

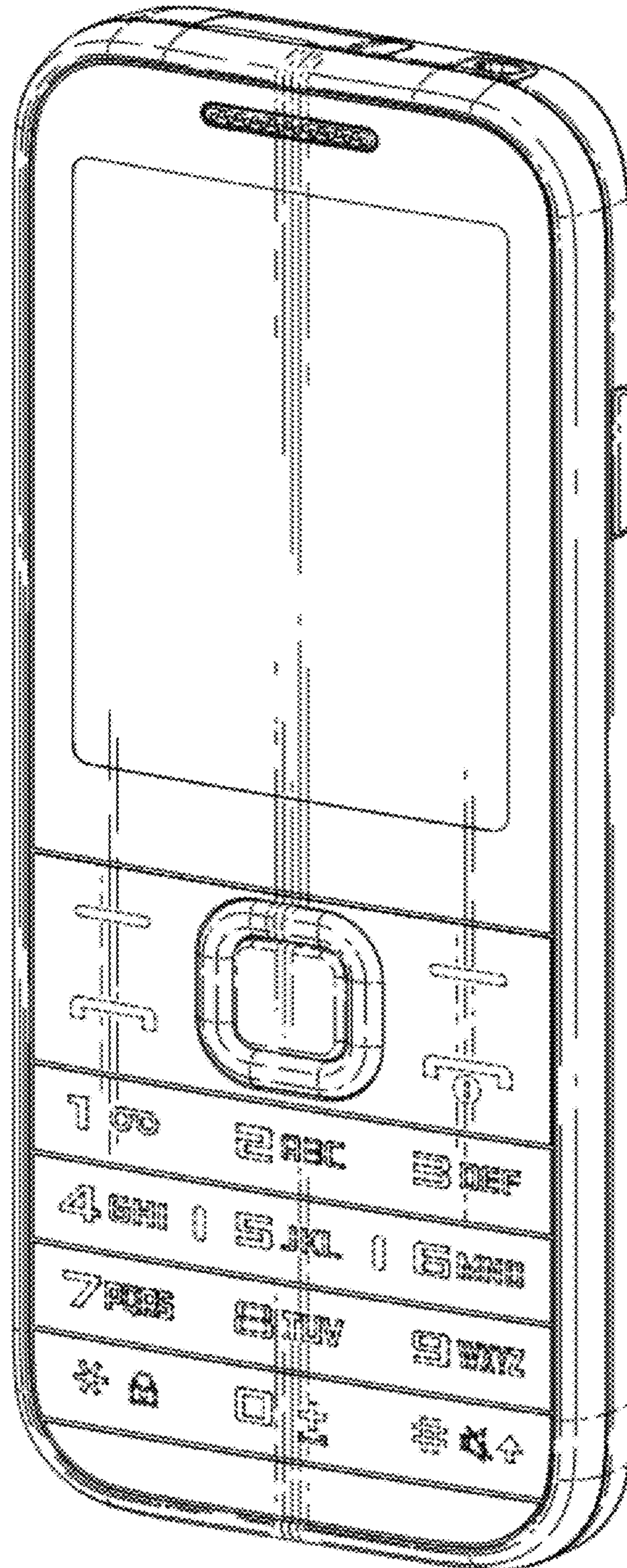


FIG. 2

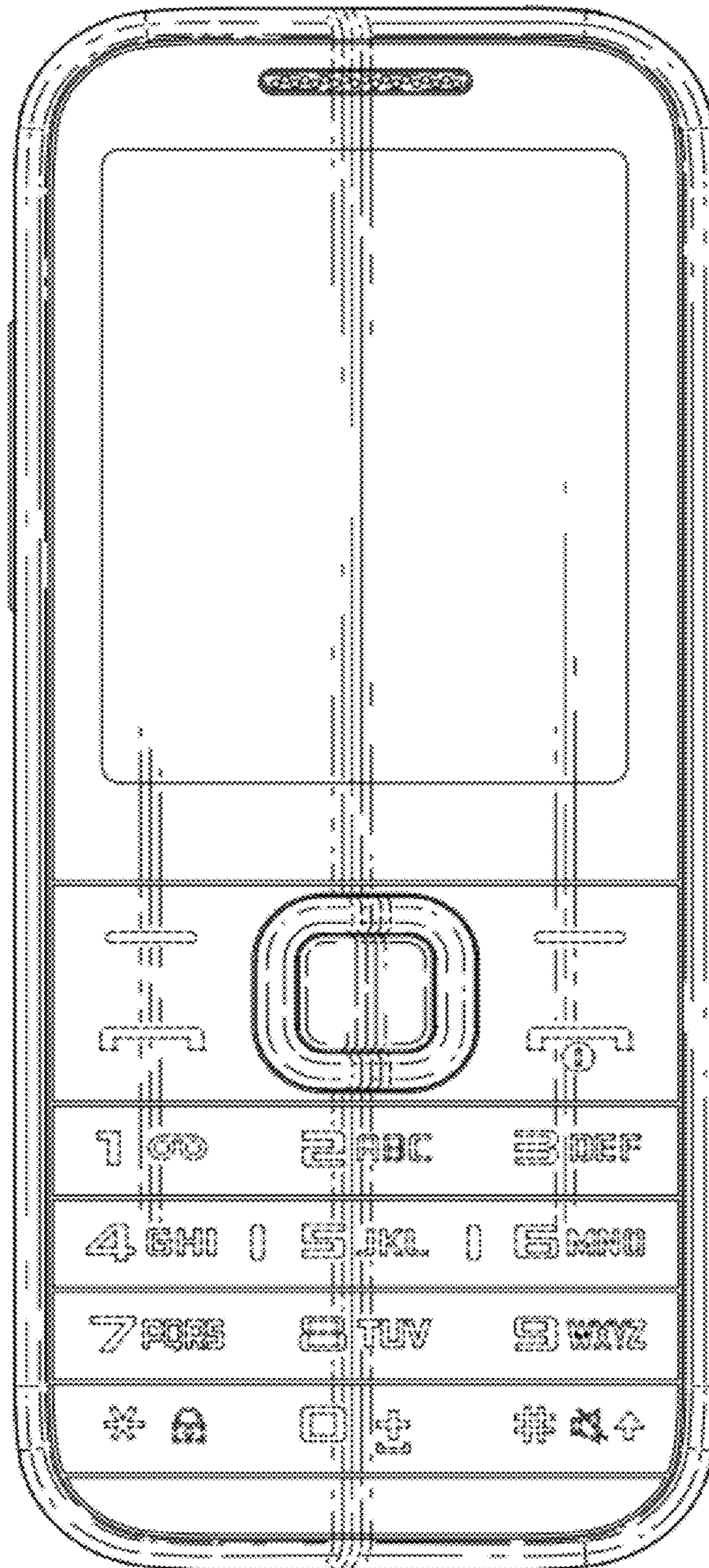


FIG. 3

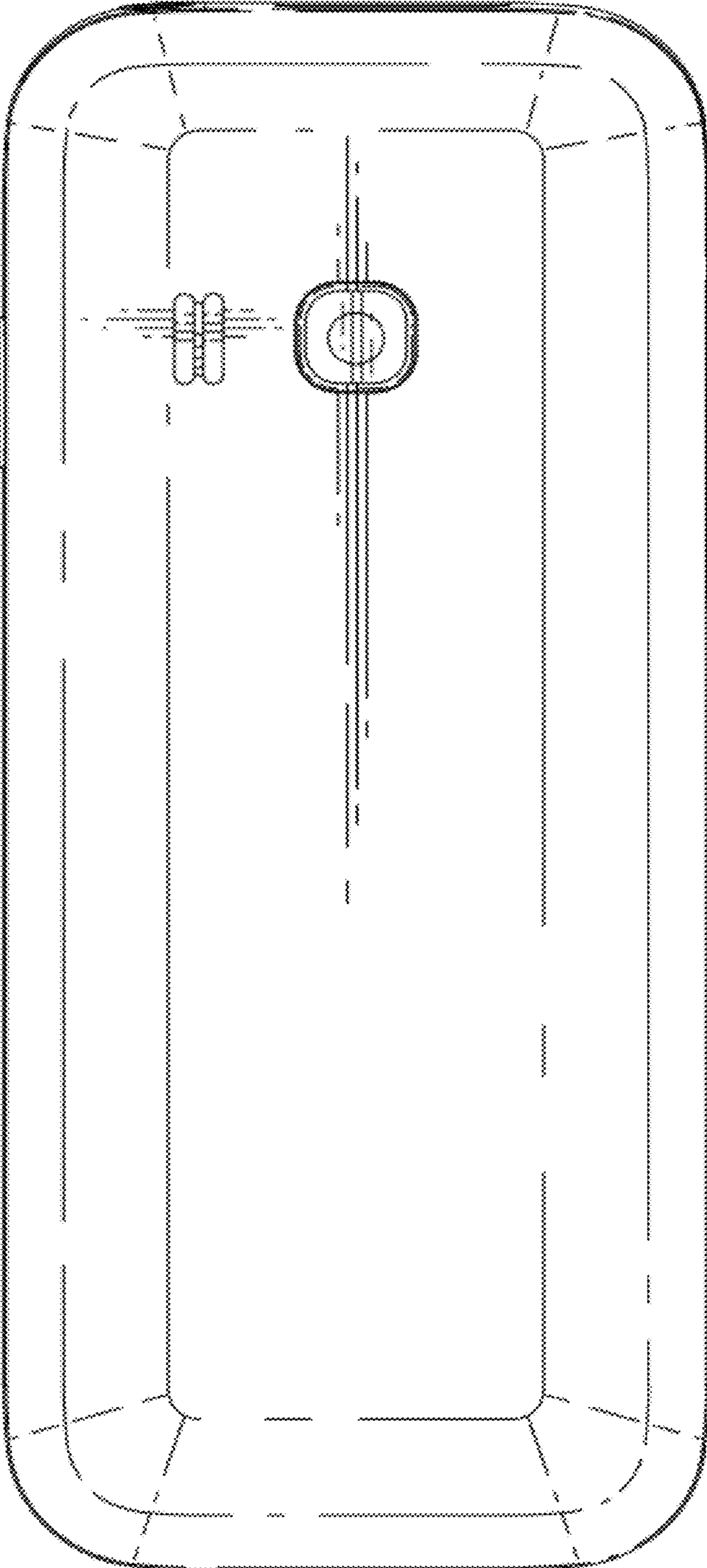


FIG. 4

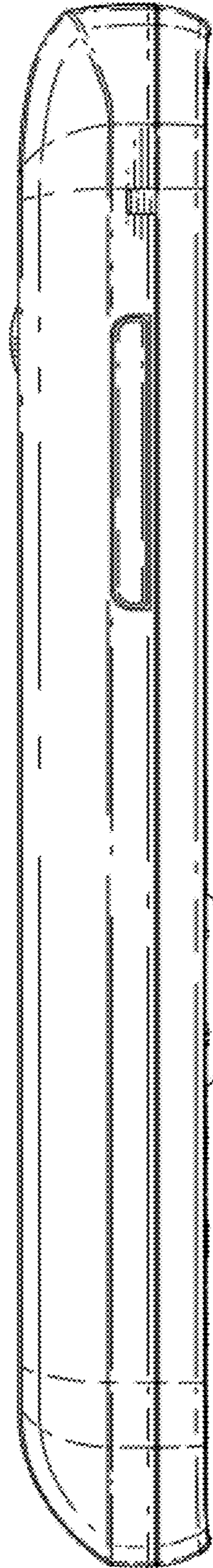


FIG. 5

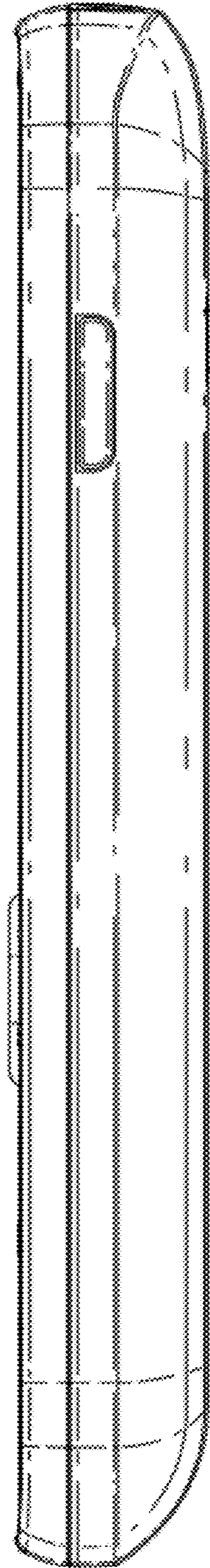


FIG. 6

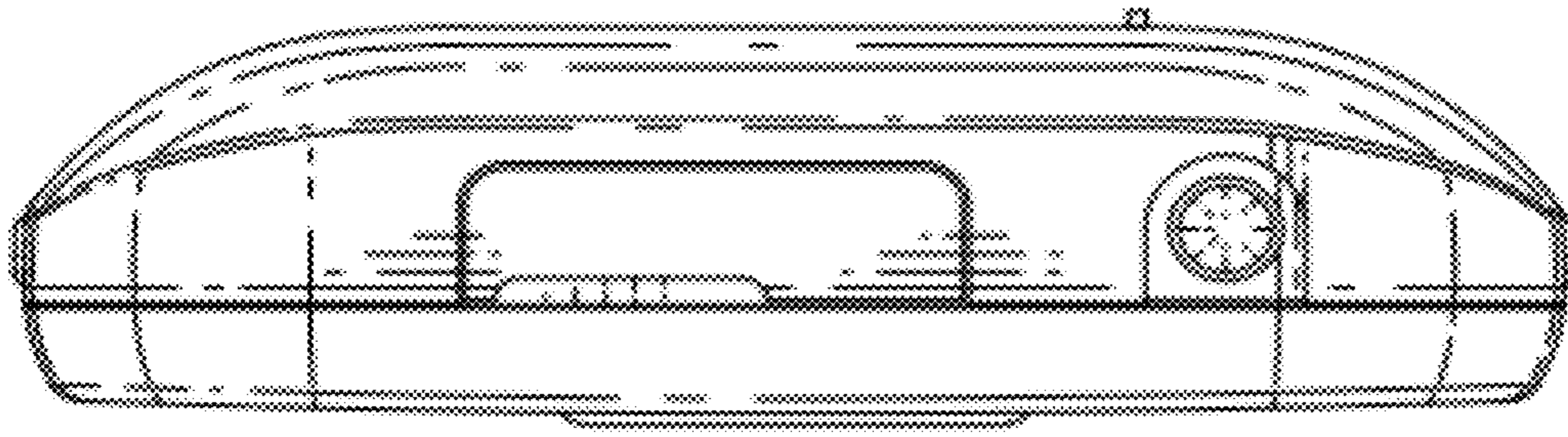


FIG. 7

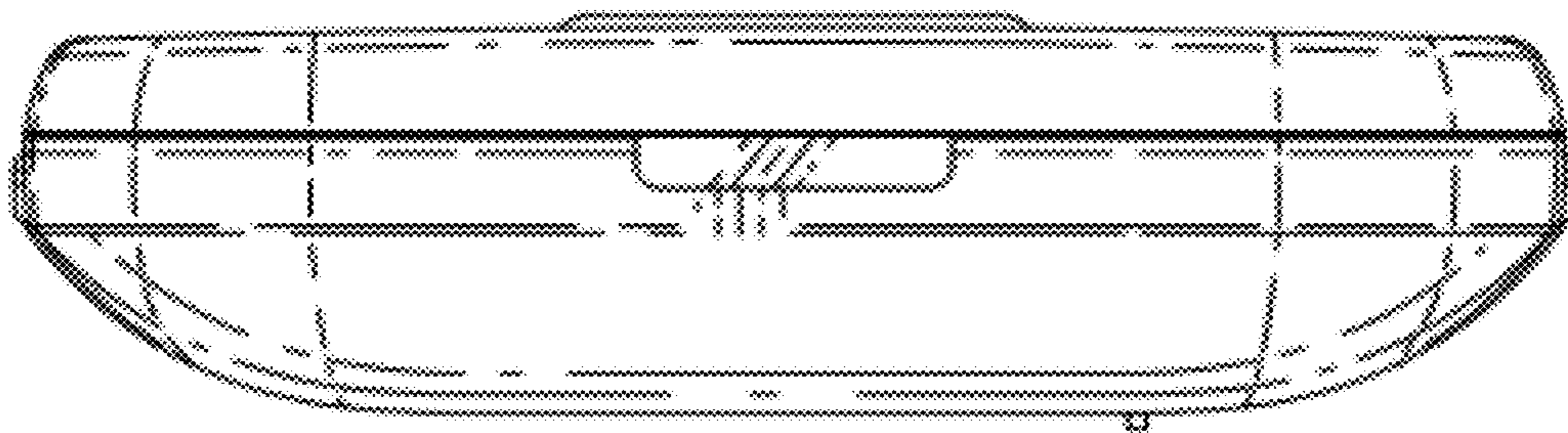


FIG. 8

