



US00D676404S

(12) **United States Design Patent**  
**Lin**

(10) **Patent No.:** **US D676,404 S**

(45) **Date of Patent:** **\*\* Feb. 19, 2013**

(54) **CELL PHONE**

(76) Inventor: **Hua-Tai Lin**, Taipei (TW)

(\*\*) Term: **14 Years**

(21) Appl. No.: **29/419,137**

(22) Filed: **Apr. 25, 2012**

(51) **LOC (9) Cl.** ..... **14-03**

(52) **U.S. Cl.** ..... **D14/138 AA**

(58) **Field of Classification Search** ..... D14/138 AA,  
D14/138 R, 496, 341, 345, 346, 203.1, 203.4,  
D14/203.7, 147, 218; D21/517; 455/575.1,  
455/556.2; 379/433.01, 433.04

See application file for complete search history.

(56) **References Cited**

**U.S. PATENT DOCUMENTS**

|              |         |                   |            |
|--------------|---------|-------------------|------------|
| D542,259 S * | 5/2007  | Cho et al. ....   | D14/138 AA |
| D543,187 S * | 5/2007  | Lee et al. ....   | D14/138 AA |
| D546,315 S * | 7/2007  | Kim et al. ....   | D14/138 AA |
| D547,744 S * | 7/2007  | Kim et al. ....   | D14/138 AA |
| D556,727 S * | 12/2007 | Cha et al. ....   | D14/138 AA |
| D561,157 S * | 2/2008  | Bang et al. ....  | D14/138 AA |
| D562,297 S * | 2/2008  | Kim et al. ....   | D14/138 AA |
| D565,599 S * | 4/2008  | Jang et al. ....  | D14/496    |
| D573,570 S * | 7/2008  | Park et al. ....  | D14/138 AA |
| D573,576 S * | 7/2008  | Kim et al. ....   | D14/138 AA |
| D603,406 S * | 11/2009 | Wood et al. ....  | D14/346    |
| D606,956 S * | 12/2009 | Wang et al. ....  | D14/138 AA |
| D609,204 S * | 2/2010  | Kim et al. ....   | D14/138 AA |
| D610,113 S * | 2/2010  | Park et al. ....  | D14/138 AA |
| D615,058 S * | 5/2010  | Lee et al. ....   | D14/138 AA |
| D615,944 S * | 5/2010  | Jeong et al. .... | D14/138 AA |
| D620,911 S * | 8/2010  | Kim et al. ....   | D14/138 AA |
| D630,182 S * | 1/2011  | Park et al. ....  | D14/138 AA |
| D635,536 S * | 4/2011  | Xiao .....        | D14/138 AA |
| D640,226 S * | 6/2011  | Park et al. ....  | D14/138 AA |
| D648,311 S * | 11/2011 | Choi et al. ....  | D14/138 AA |
| D652,010 S * | 1/2012  | Chung .....       | D14/138 AA |

|              |        |                  |            |
|--------------|--------|------------------|------------|
| D652,011 S * | 1/2012 | Baik et al. .... | D14/138 AA |
| D657,333 S * | 4/2012 | Yun et al. ....  | D14/138 AA |
| D661,279 S * | 6/2012 | Youn .....       | D14/138 AA |
| D663,282 S * | 7/2012 | Sparks .....     | D14/138 AA |

**OTHER PUBLICATIONS**

Samsung X820 telephone, announced May 2006, [online], [site visited Sep. 10, 2012]. Available from Internet, <URL: [http://www.gsmarena.com/samsung\\_x820-1556.php](http://www.gsmarena.com/samsung_x820-1556.php)>.\*

Samsung U100 telephone, announced Feb. 2007, [online], [site visited Sep. 10, 2012]. Available from Internet, <URL: [http://www.gsmarena.com/samsung\\_u100-1854.php](http://www.gsmarena.com/samsung_u100-1854.php)>.\*

Samsung C3200 Monte Bar telephone, announced Feb. 2010, [online], [site visited Sep. 10, 2012]. Available from Internet, <URL: [http://www.gsmarena.com/samsung\\_c3200\\_monte\\_bar-3149.php](http://www.gsmarena.com/samsung_c3200_monte_bar-3149.php)>.\*

LG A290 telephone, announced Feb. 2012, [online], [site visited Sep. 10, 2012]. Available from Internet, <URL: [http://www.gsmarena.com/lg\\_a290-4470.php](http://www.gsmarena.com/lg_a290-4470.php)>.\*

\* cited by examiner

*Primary Examiner* — Jeffrey D Asch

(57) **CLAIM**

The ornamental design for a cell phone, as shown.

**DESCRIPTION**

FIG. 1 is a perspective view of a cell phone showing my new design;

FIG. 2 is a front elevational view thereof;

FIG. 3 is a rear elevational view thereof;

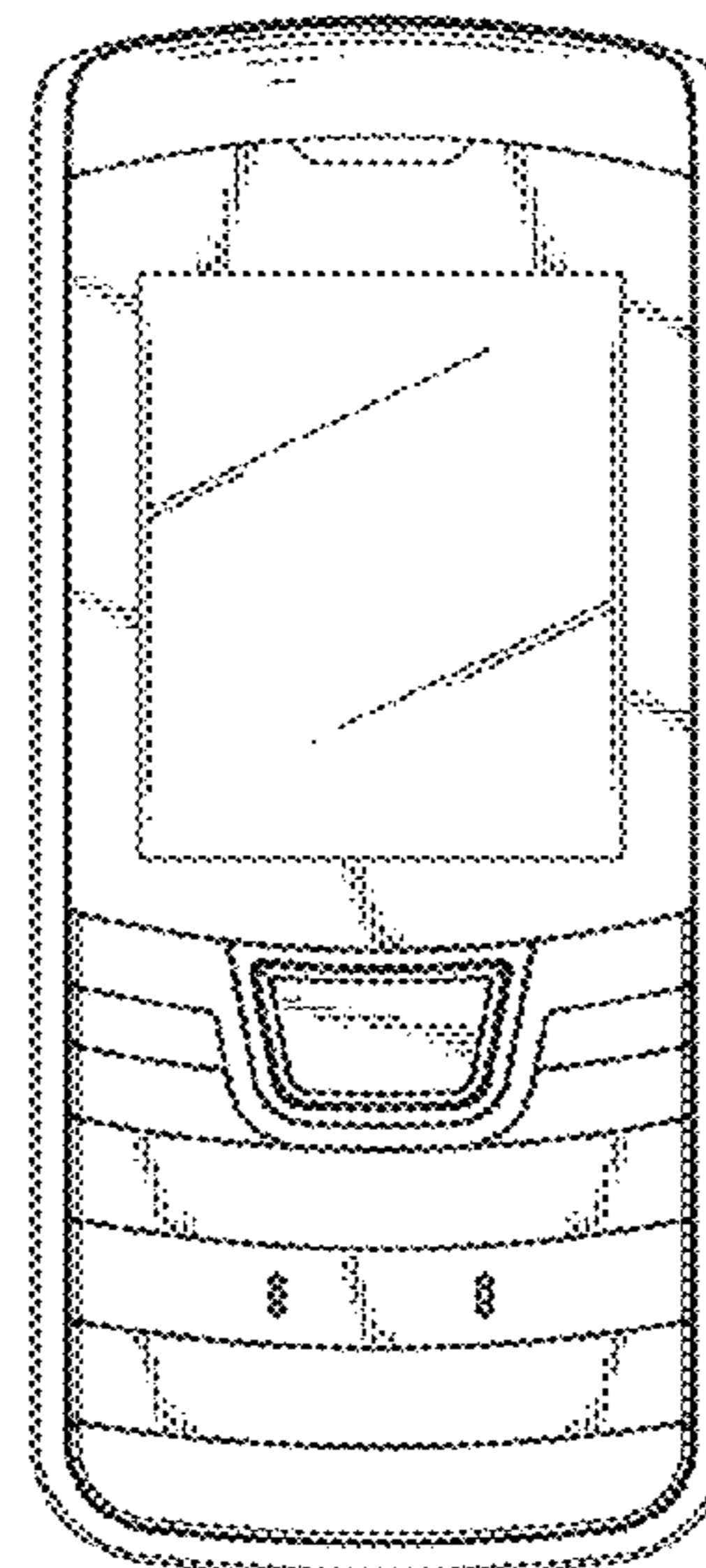
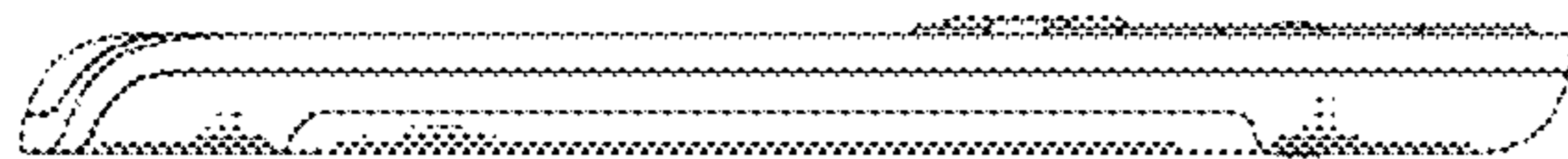
FIG. 4 is a left side view thereof;

FIG. 5 is a right side view thereof;

FIG. 6 is a top plain view thereof; and,

FIG. 7 is a bottom plain view thereof.

**1 Claim, 6 Drawing Sheets**



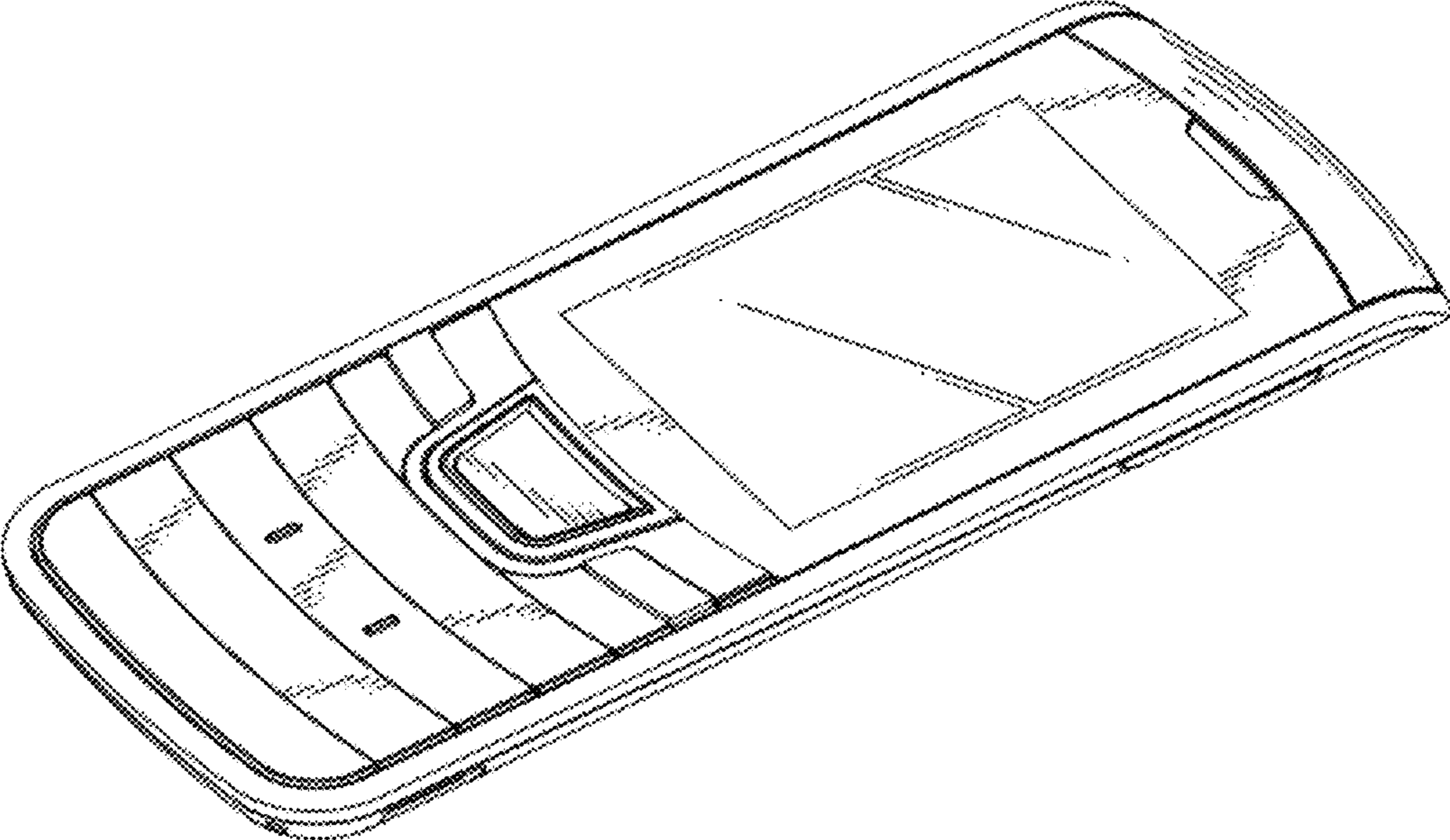


FIG. 1

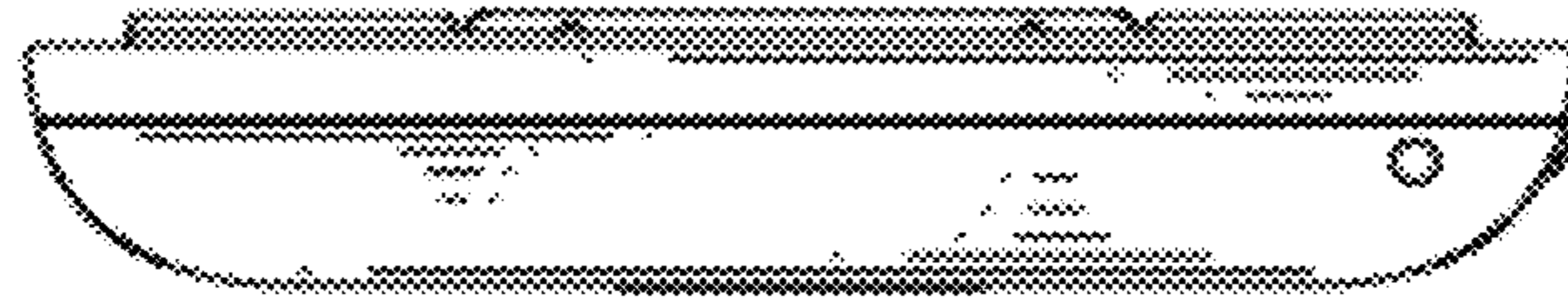


FIG. 2

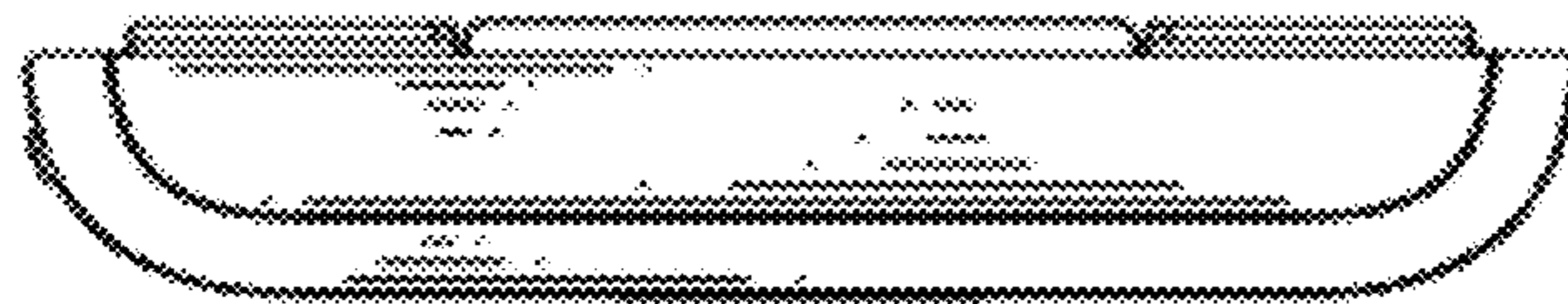


FIG. 3

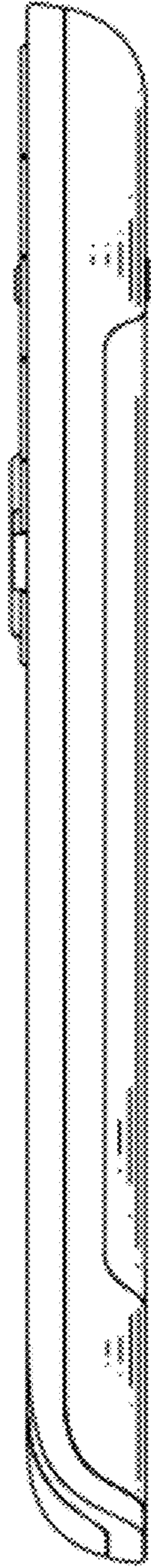


FIG. 4

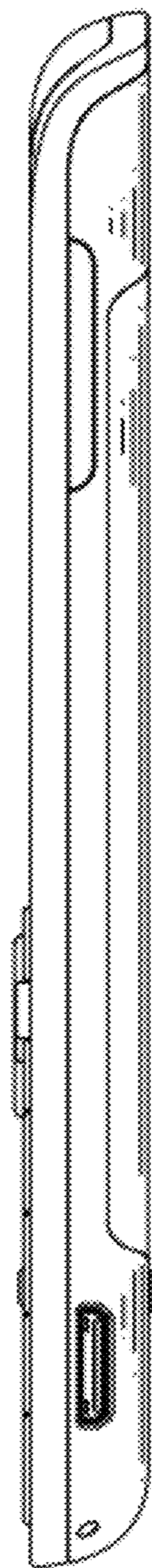


FIG. 5



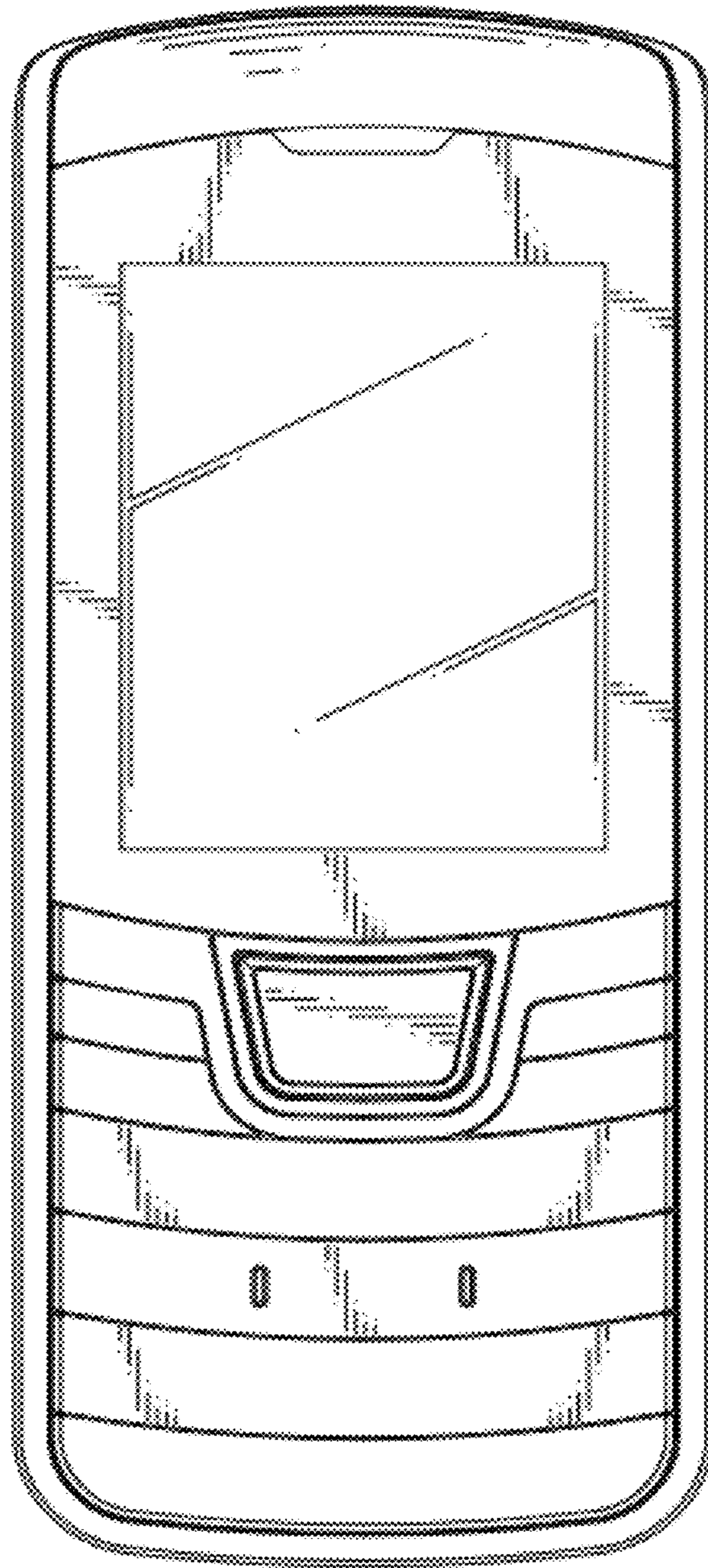


FIG. 6

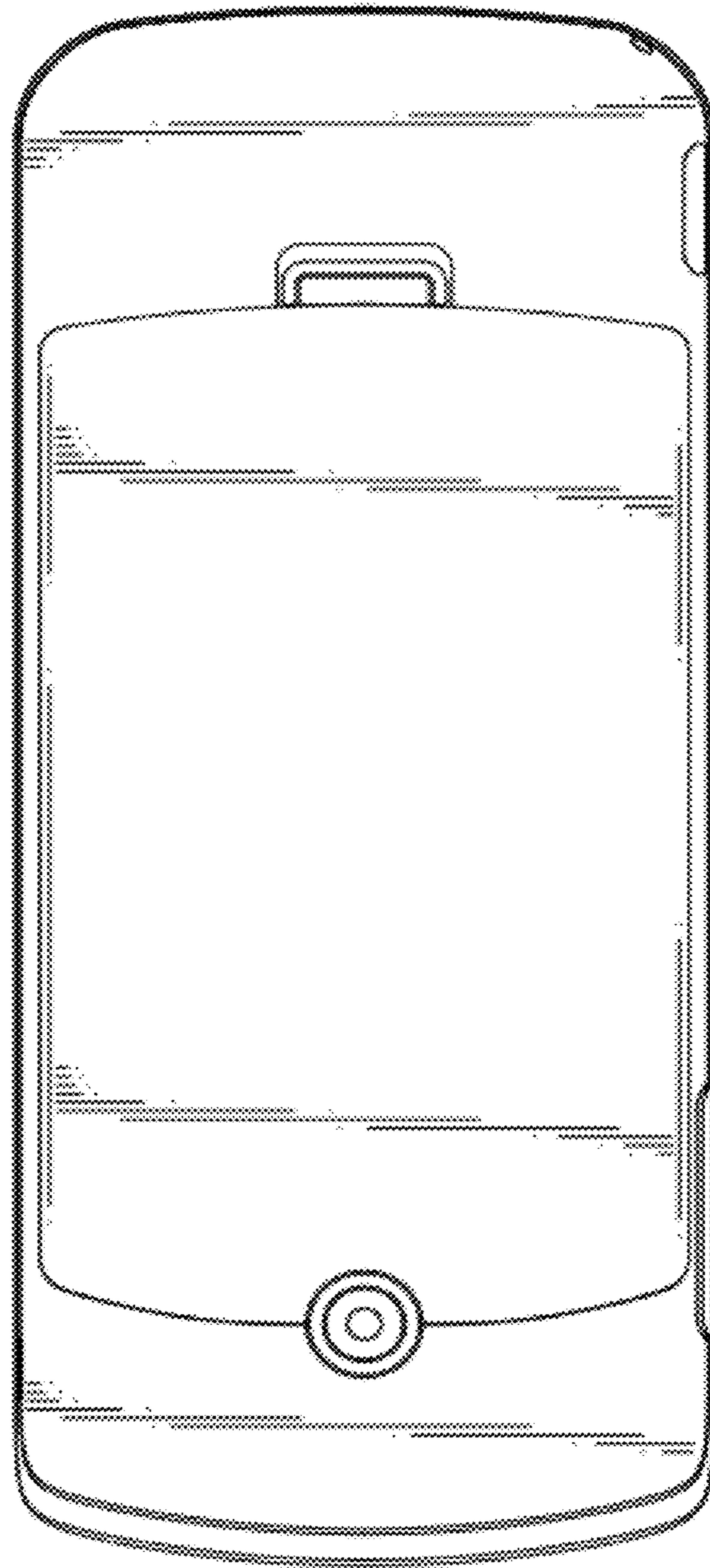


FIG. 7