



US00D676398S

(12) **United States Design Patent**
Zimmerli

(10) **Patent No.:** **US D676,398 S**

(45) **Date of Patent:** **** Feb. 19, 2013**

(54) **TFT DISPLAY UNIT**

(75) Inventor: **Fabian Zimmerli**, Waith (CH)

(73) Assignee: **Karl Storz GmbH & Co. KG** (DE)

(**) Term: **14 Years**

(21) Appl. No.: **29/416,260**

(22) Filed: **Mar. 20, 2012**

(30) **Foreign Application Priority Data**

Sep. 20, 2011 (EM) 001920232-0004

(51) **LOC (9) Cl.** **14-03**

(52) **U.S. Cl.** **D14/132**

(58) **Field of Classification Search** D14/125-134,
D14/239, 371, 136, 374-377, 440, 450, 448,
D14/336, 342; 312/7.2; 348/836, 838, 180,
348/184, 325, 739; 341/12; 248/917-924,
248/465; 345/104, 133, 156, 168, 87, 173;
720/605, 669, 600, 655; 369/99, 197; 455/344,
455/347; D21/329, 515, 577, 622, 333, 433,
D21/448, 452, 450, 331; D6/477, 479, 300;
273/148 B; 446/484, 175, 356; D10/15,
D10/26

See application file for complete search history.

(56) **References Cited**

U.S. PATENT DOCUMENTS

| | | | | | | |
|----------|---|---|---------|--------------|-------|---------|
| D405,443 | S | * | 2/1999 | Marsh | | D14/126 |
| D412,899 | S | * | 8/1999 | Rosen | | D14/132 |
| D416,015 | S | * | 11/1999 | Mitchell | | D14/132 |
| D425,036 | S | * | 5/2000 | Copus et al. | | D14/132 |
| D438,850 | S | * | 3/2001 | Rosen | | D14/132 |
| D496,013 | S | * | 9/2004 | Tanaka | | D14/132 |
| D578,086 | S | * | 10/2008 | Hoehn et al. | | D14/126 |

* cited by examiner

Primary Examiner — Raphael Barkai

Assistant Examiner — Randall Gholson

(74) *Attorney, Agent, or Firm* — St. Onge Steward Johnston & Reens LLC

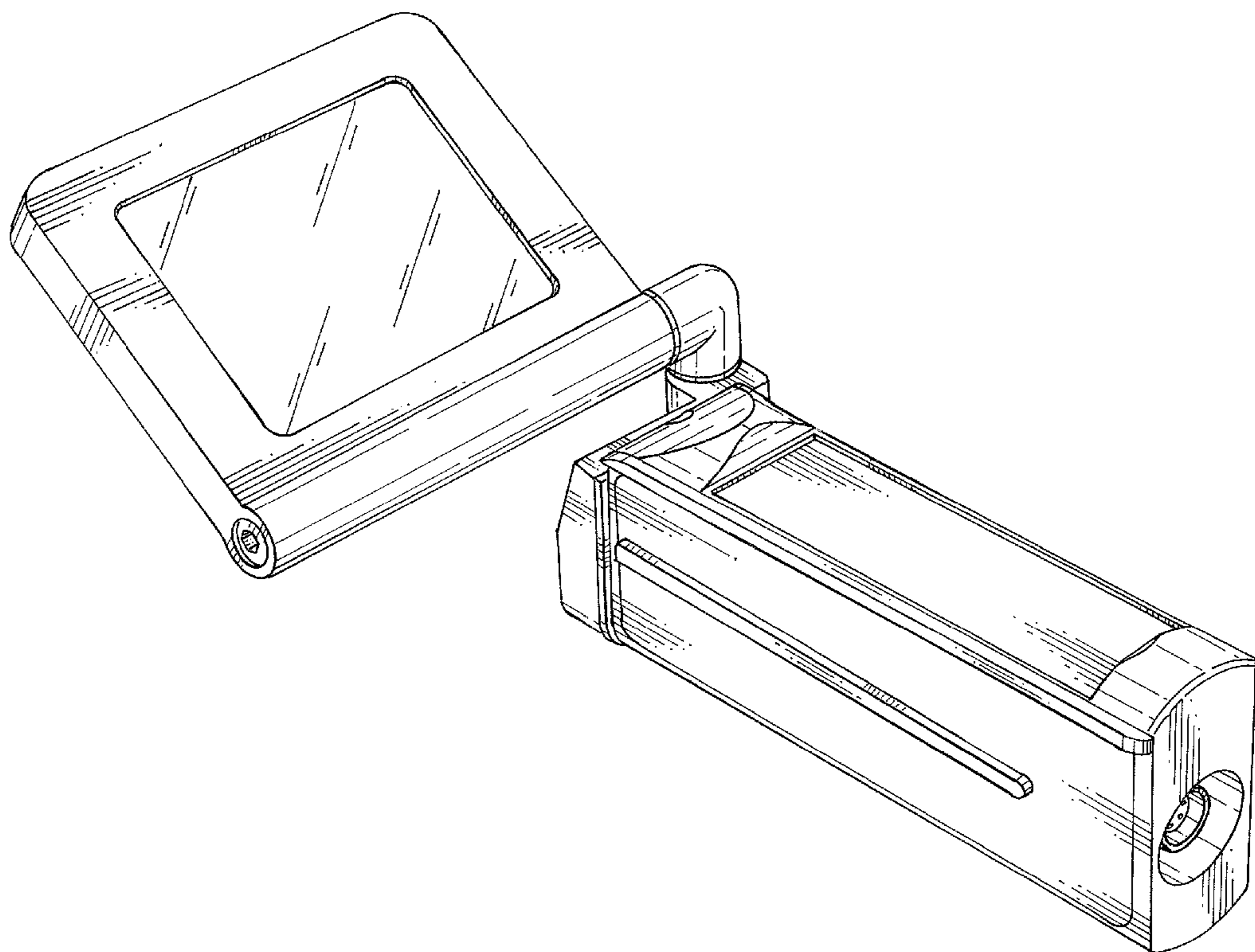
(57) **CLAIM**

The ornamental design for a TFT display unit, as shown and described.

DESCRIPTION

FIG. 1 is a top right side perspective view of a TFT display unit in accordance with the new design;
FIG. 2 is a right side isometric view thereof;
FIG. 3 is a bottom isometric view thereof;
FIG. 4 is a left side isometric view thereof;
FIG. 5 is a top isometric view thereof;
FIG. 6 is a rear isometric view thereof; and,
FIG. 7 is a front isometric view thereof.

1 Claim, 7 Drawing Sheets



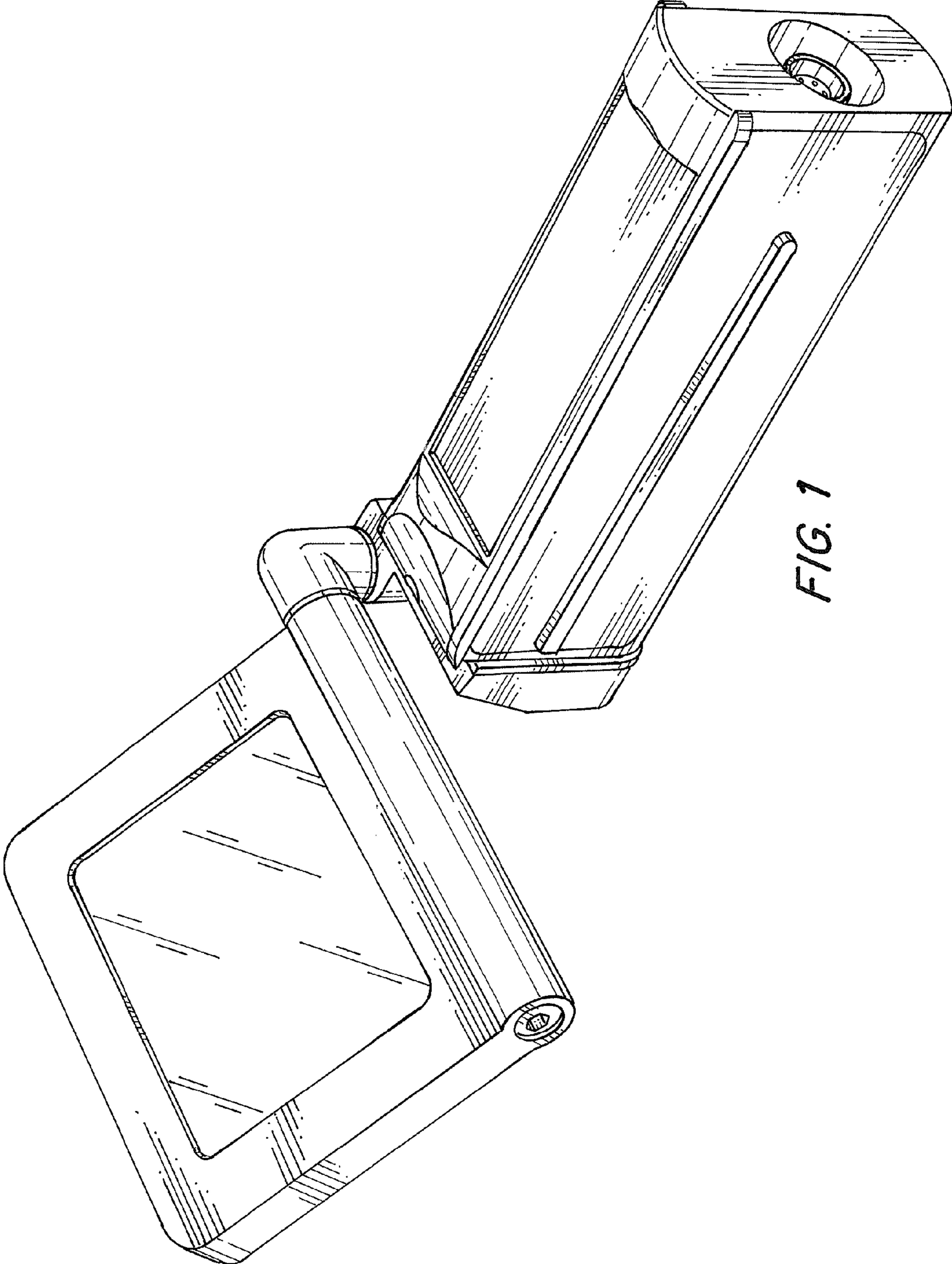


FIG. 1

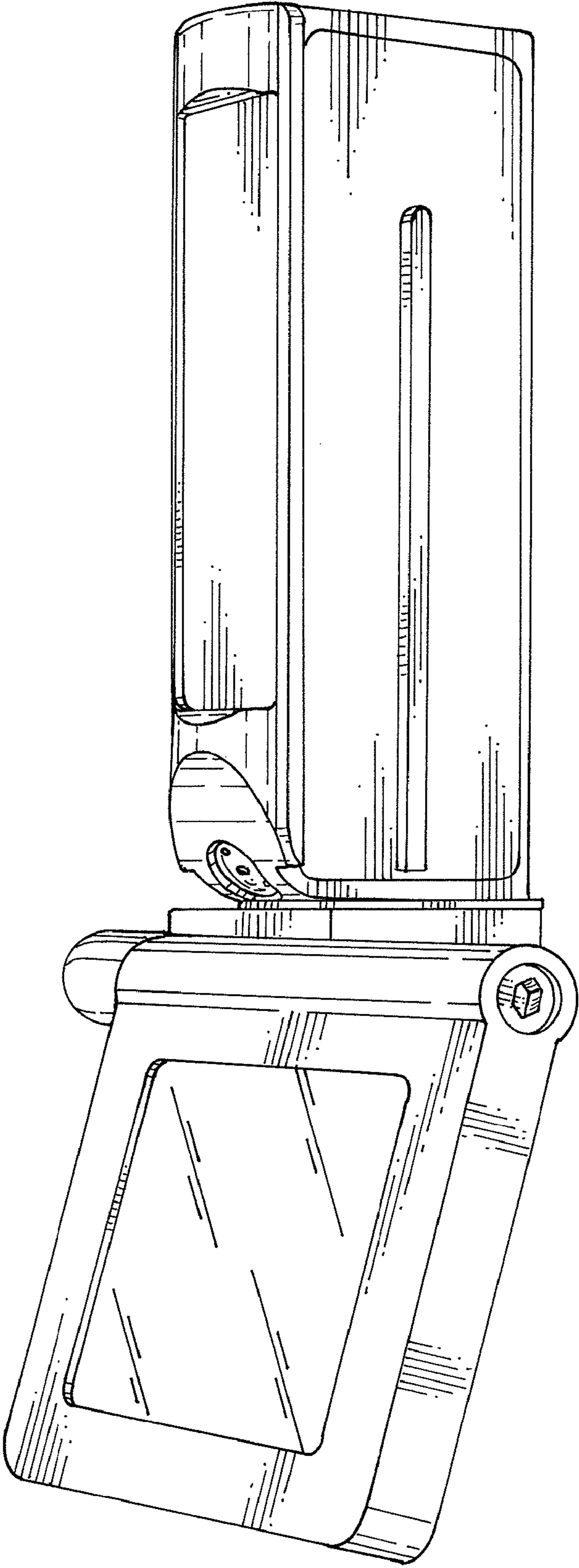


FIG. 2

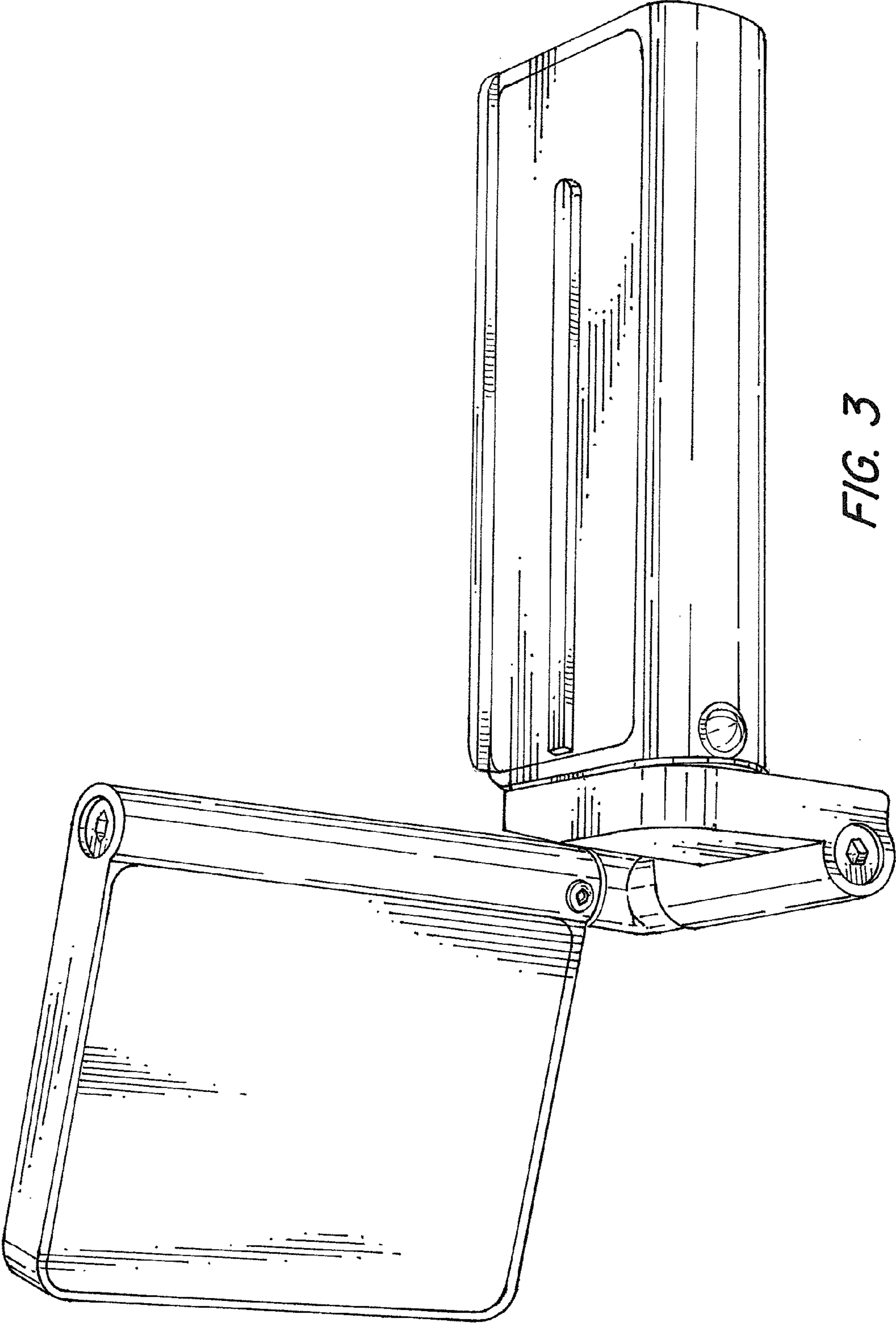


FIG. 3

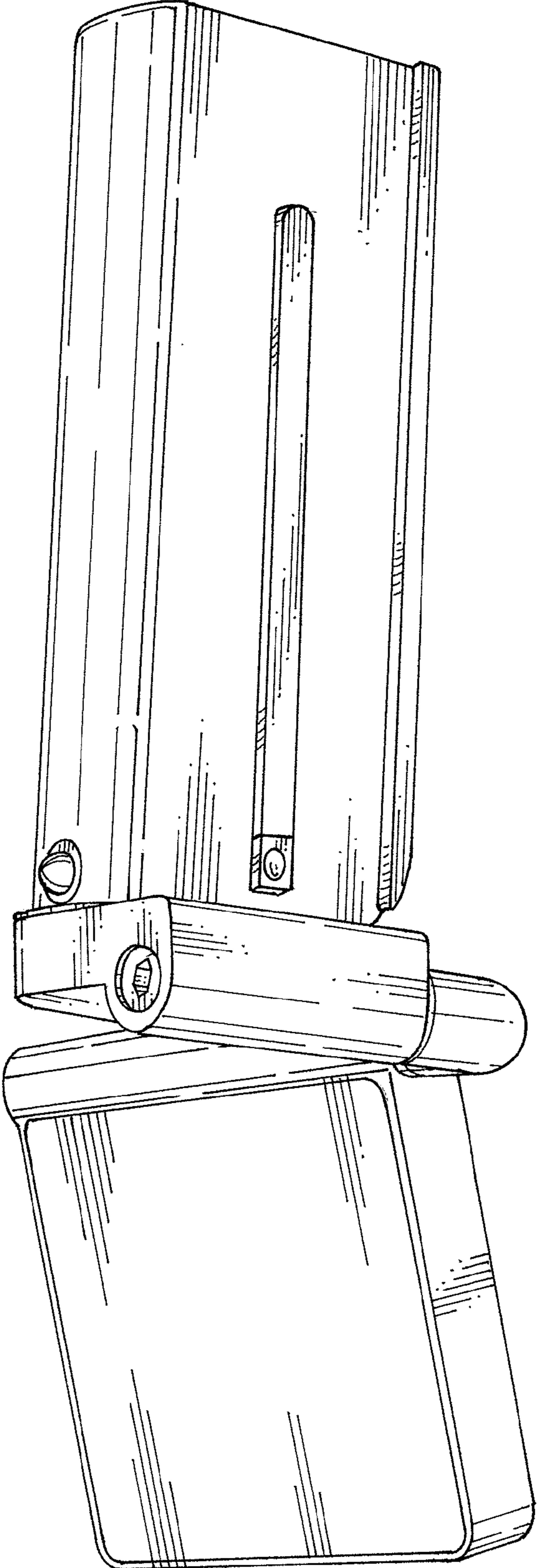


FIG. 4

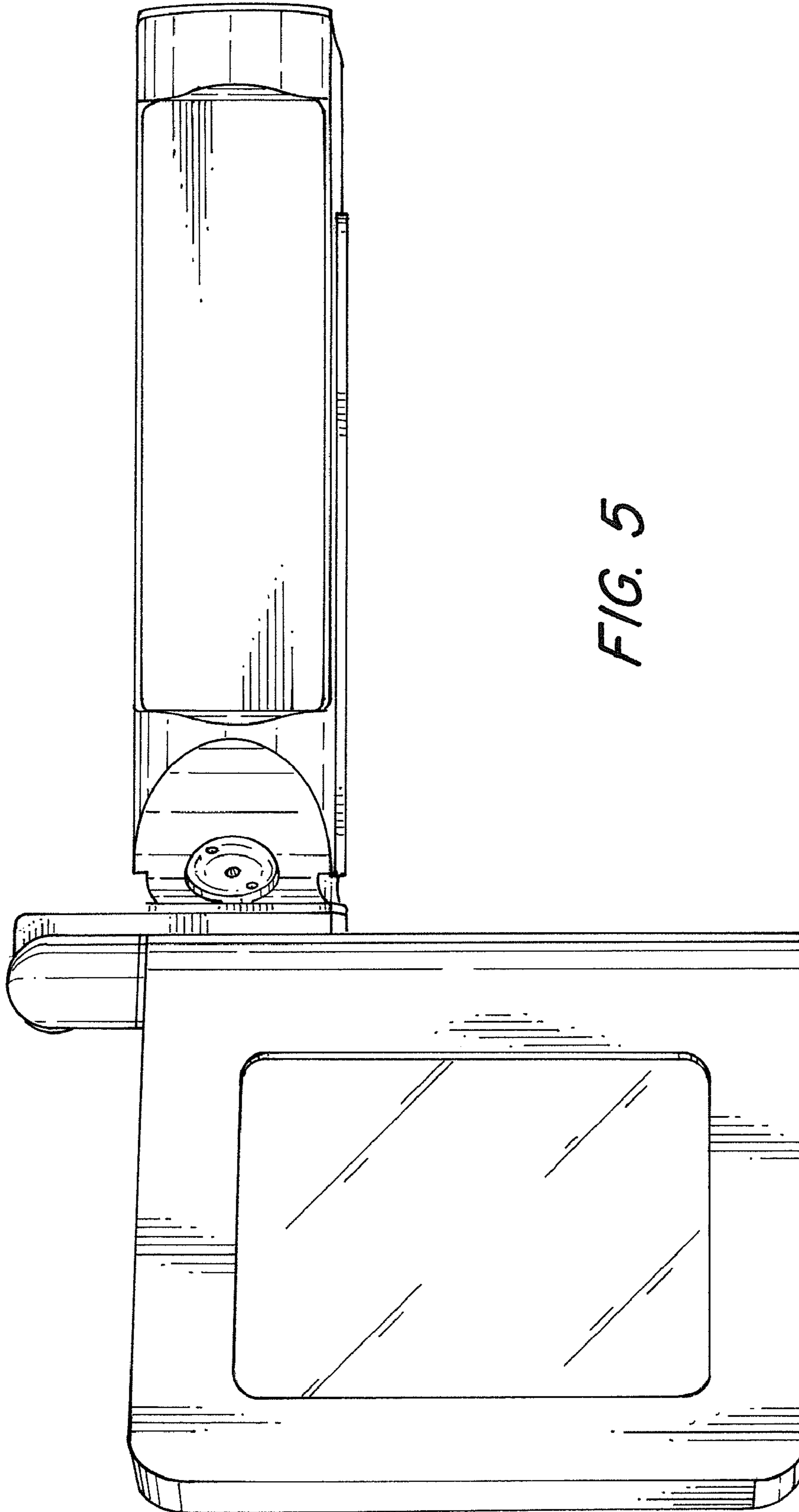


FIG. 5

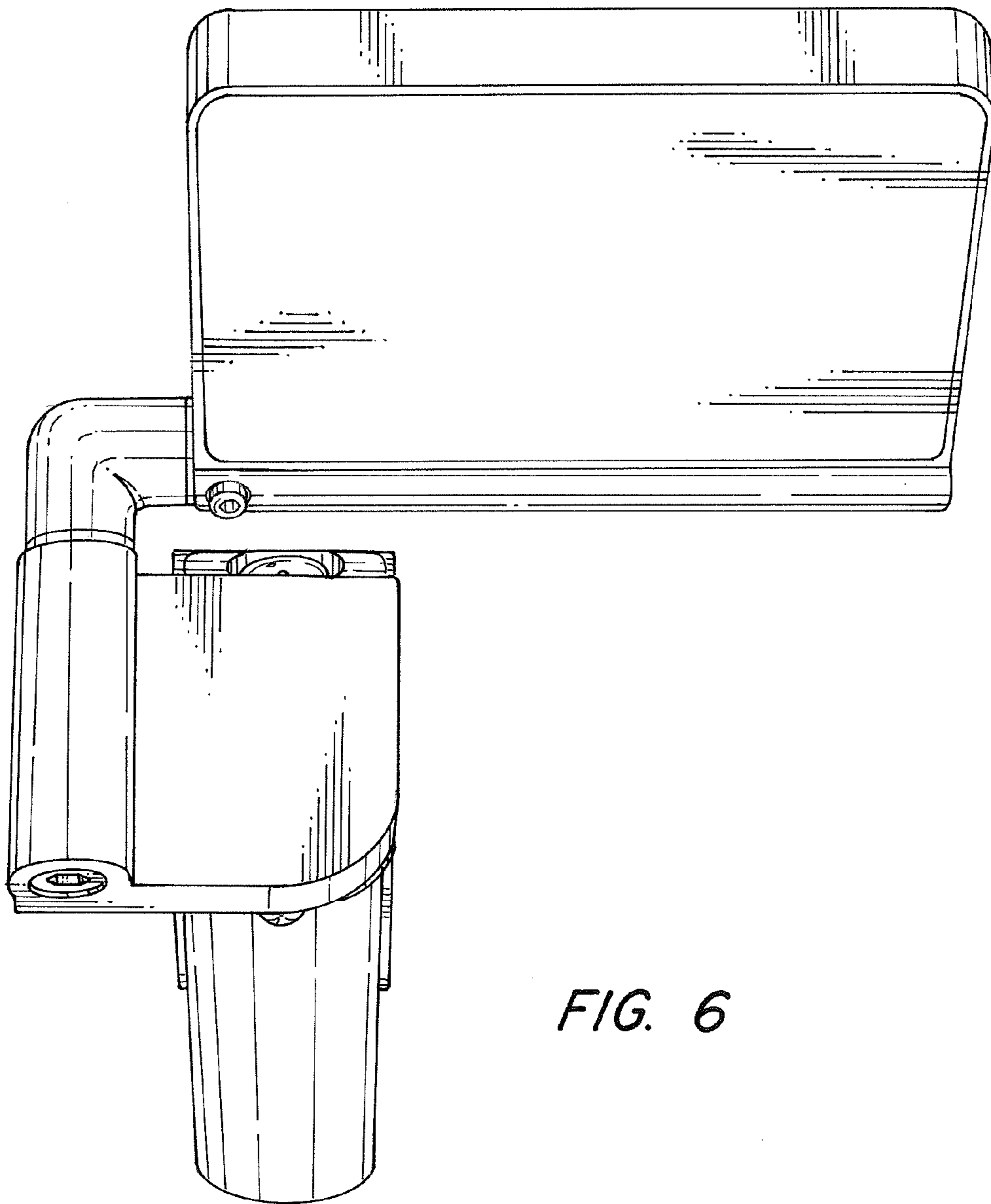


FIG. 6

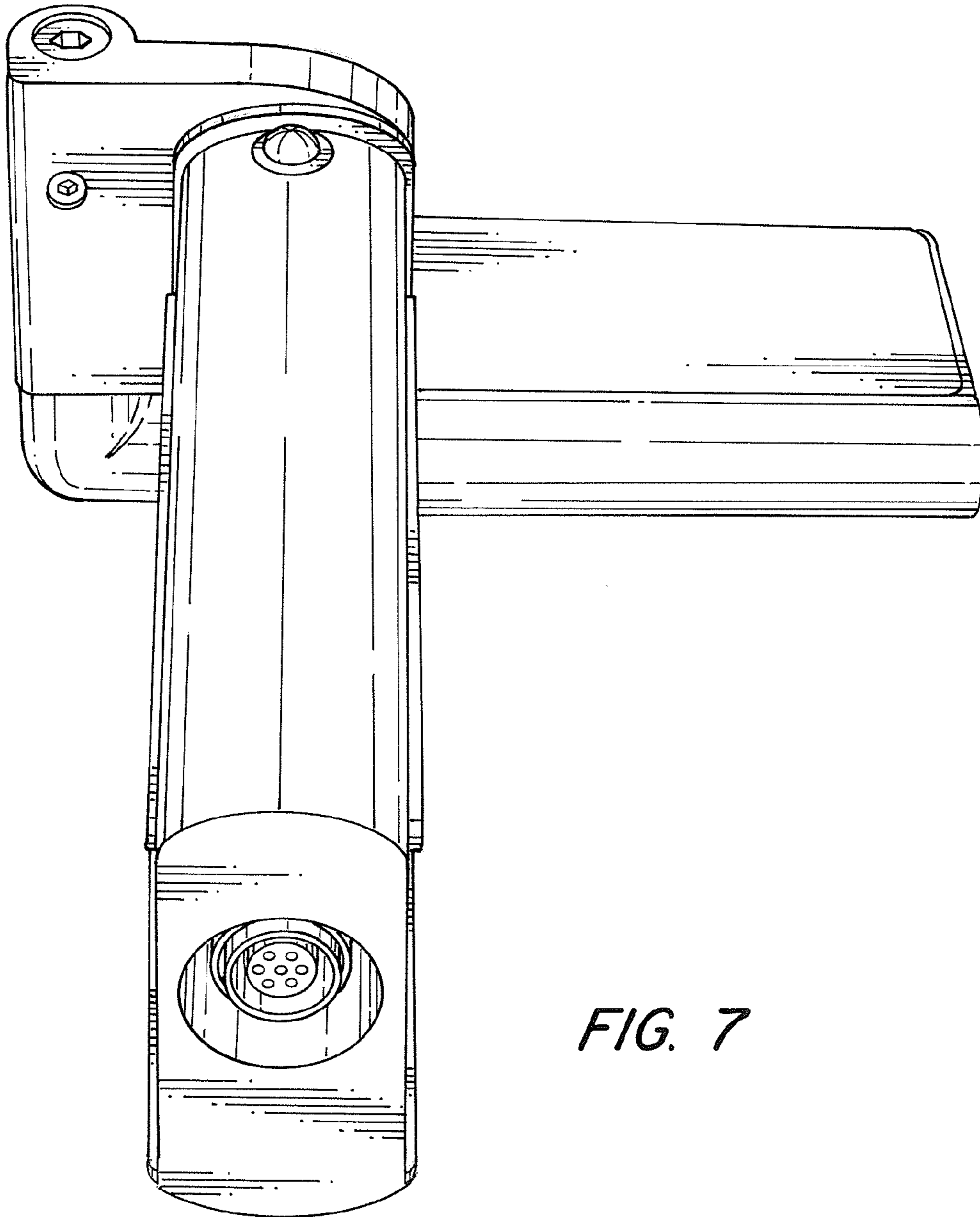


FIG. 7