

US00D676397S

(12) **United States Design Patent**
McManigal

(10) **Patent No.:** **US D676,397 S**

(45) **Date of Patent:** **** Feb. 19, 2013**

(54) **TELEVISION**

(75) Inventor: **Scott Paul McManigal**, Newport Beach,
CA (US)

(73) Assignee: **Vizio Inc.**, Irvine, CA (US)

(**) Term: **14 Years**

(21) Appl. No.: **29/415,701**

(22) Filed: **Mar. 13, 2012**

(51) **LOC (9) Cl.** **14-03**

(52) **U.S. Cl.** **D14/126**

(58) **Field of Classification Search** D14/125-134,
D14/239, 371, 136, 374-377, 440, 450, 448,
D14/336, 342; 312/7.2; 348/836, 838, 180,
348/184, 325, 739; 341/12; 248/917-924,
248/465; 345/104, 133, 156, 168, 87, 173;
720/605, 669, 600, 655; 369/99, 197; 455/344,
455/347; D21/329, 515, 577, 622, 333, 433,
D21/448, 452, 450, 331; D6/477, 479, 300;
273/148 B; 446/484, 175, 356; D10/15,
D10/26

See application file for complete search history.

(56) **References Cited**

U.S. PATENT DOCUMENTS

D620,901 S * 8/2010 Won et al. D14/126
D620,902 S * 8/2010 Kim et al. D14/126
D620,903 S * 8/2010 Song et al. D14/126

D622,235 S * 8/2010 Lee et al. D14/126
D624,512 S * 9/2010 Kim et al. D14/126
D630,209 S * 1/2011 Lee et al. D14/374
D637,567 S * 5/2011 Kim et al. D14/126
D639,759 S * 6/2011 Shin et al. D14/126
D642,147 S * 7/2011 Won et al. D14/126
D648,294 S * 11/2011 Kim et al. D14/126
2009/0141198 A1 * 6/2009 Kim 348/836

* cited by examiner

Primary Examiner — Raphael Barkai

Assistant Examiner — Randall Gholson

(74) *Attorney, Agent, or Firm* — Law Office of Scott C.
Harris, Inc.

(57) **CLAIM**

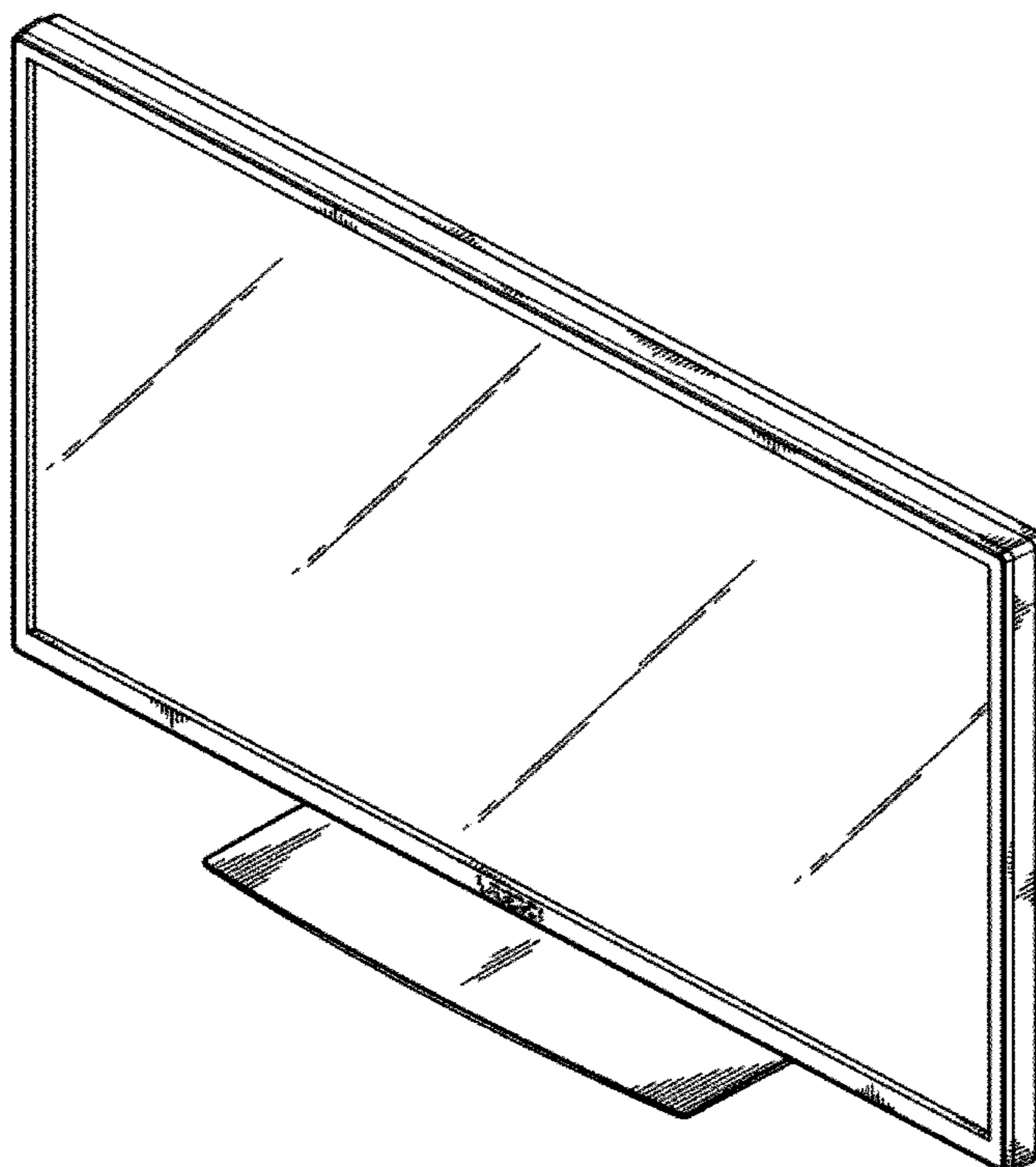
The ornamental design for television, as shown and
described.

DESCRIPTION

FIG. 1 is a front perspective view of the television;
FIG. 2 shows a front view of the television;
FIG. 3 shows a rear view of the television;
FIGS. 4 and 5 show alternate side views of the television; and,
FIGS. 6 and 7 respectively show a top and bottom views of the
television.

The broken lines in the drawings are for the purpose of illus-
tration and forms no part of the claimed design.

1 Claim, 5 Drawing Sheets



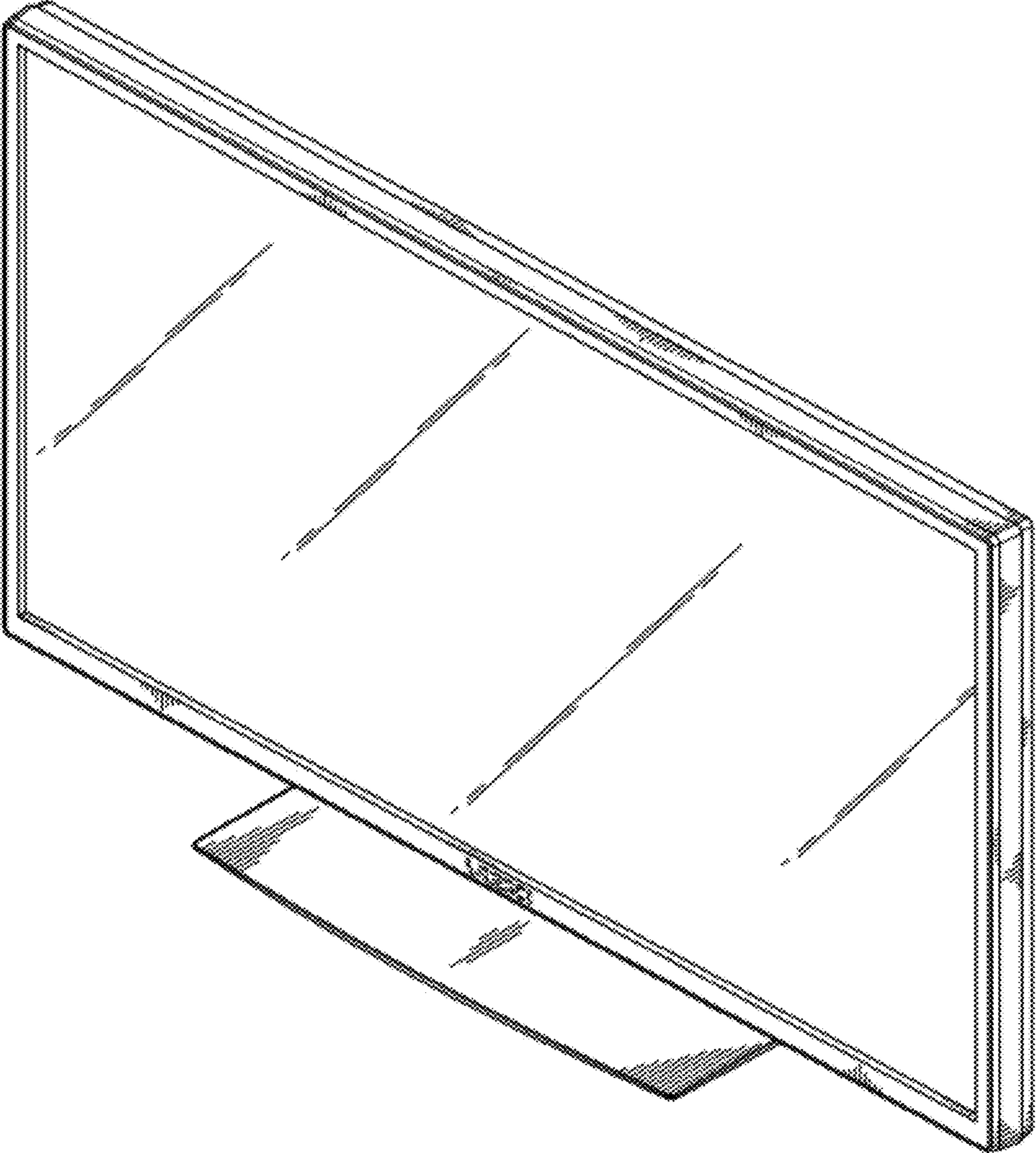


FIG. 1

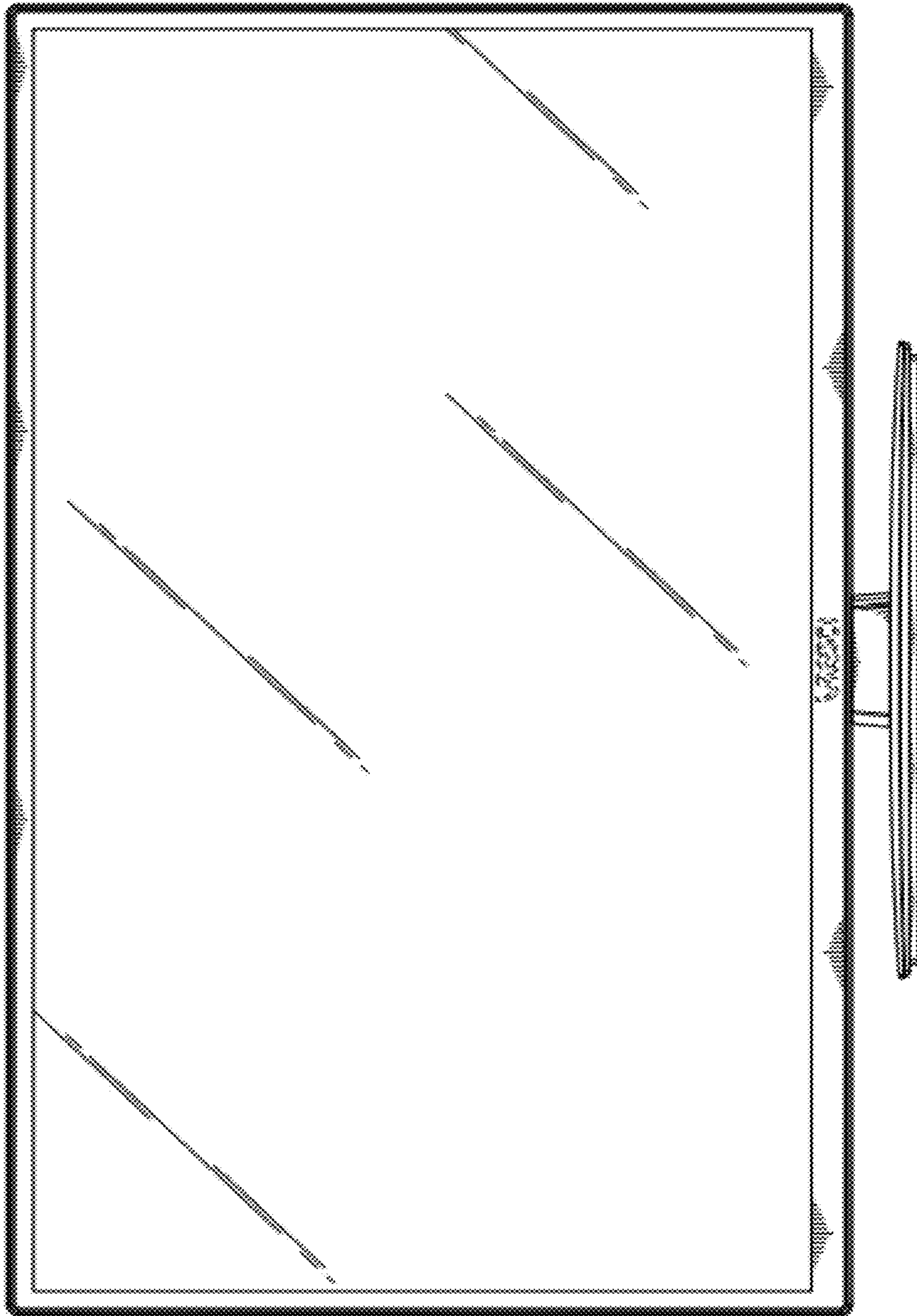


FIG. 2

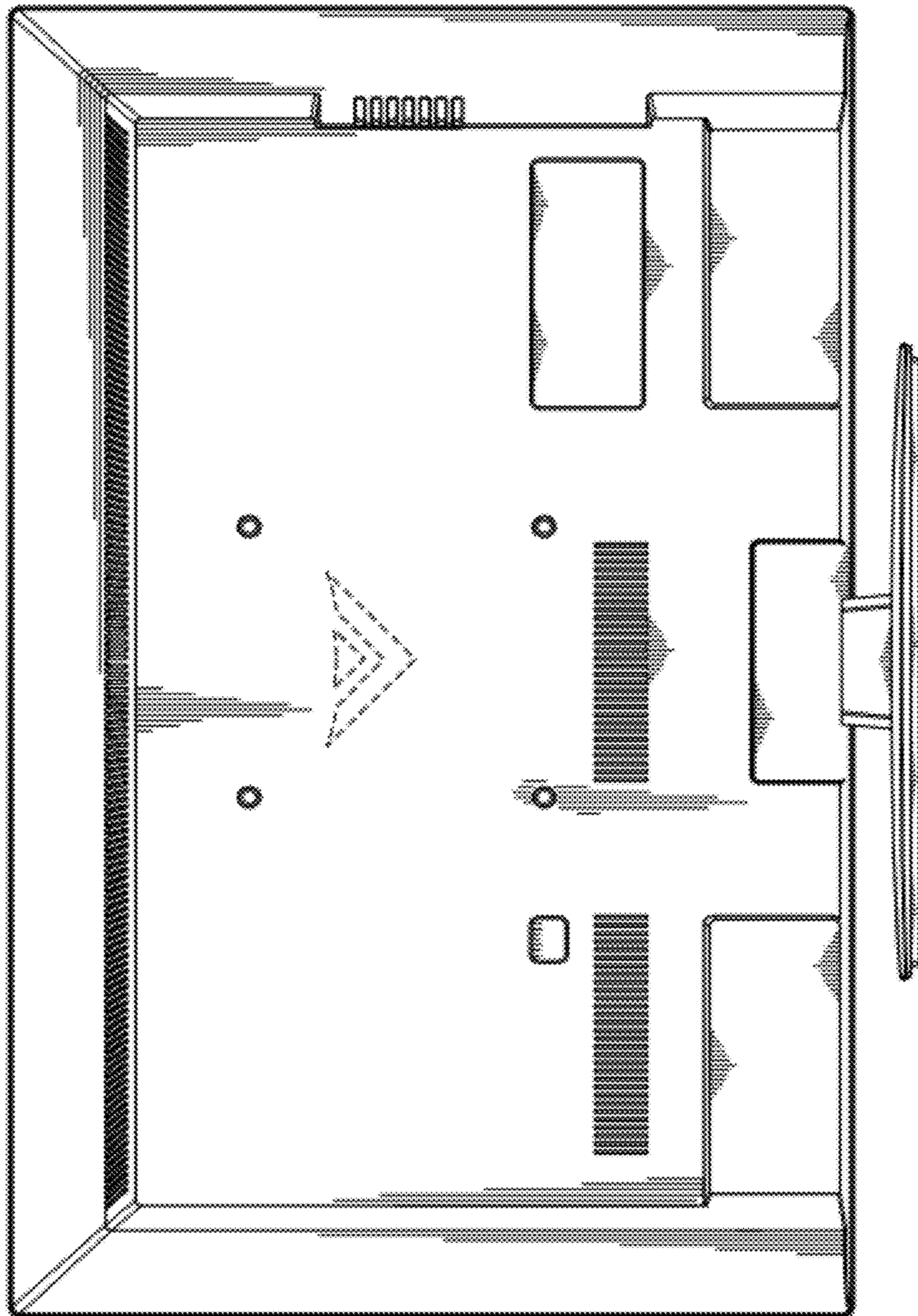


FIG. 3

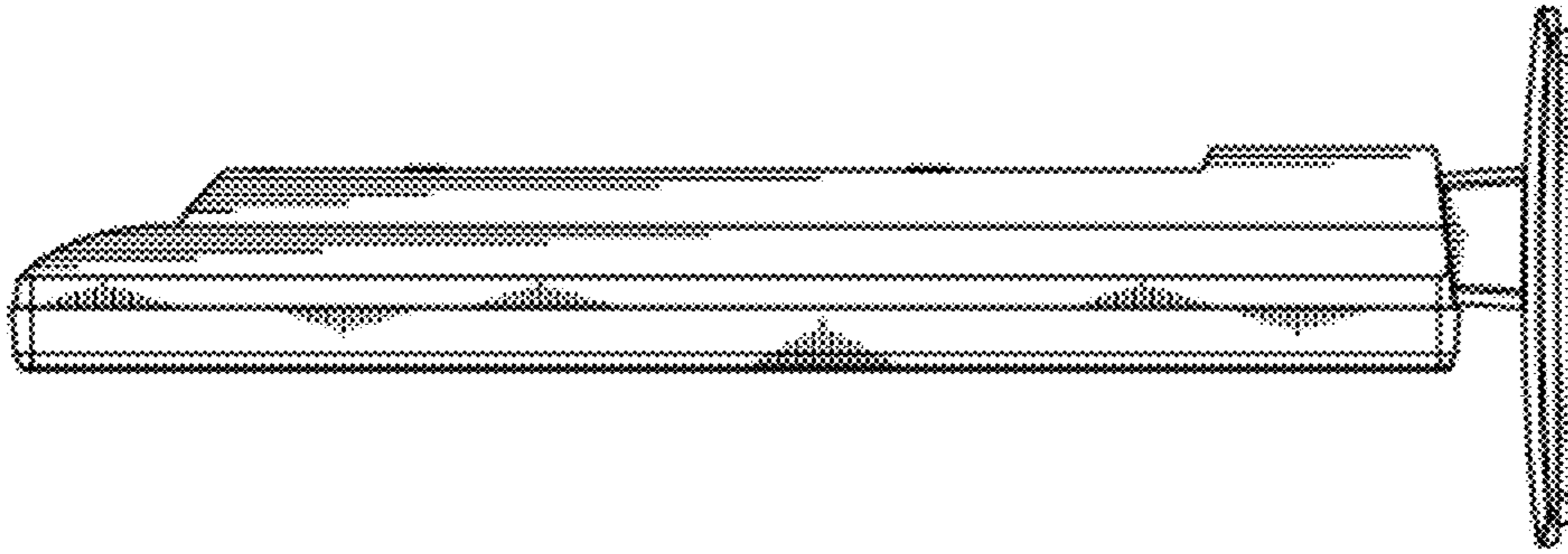


FIG. 5

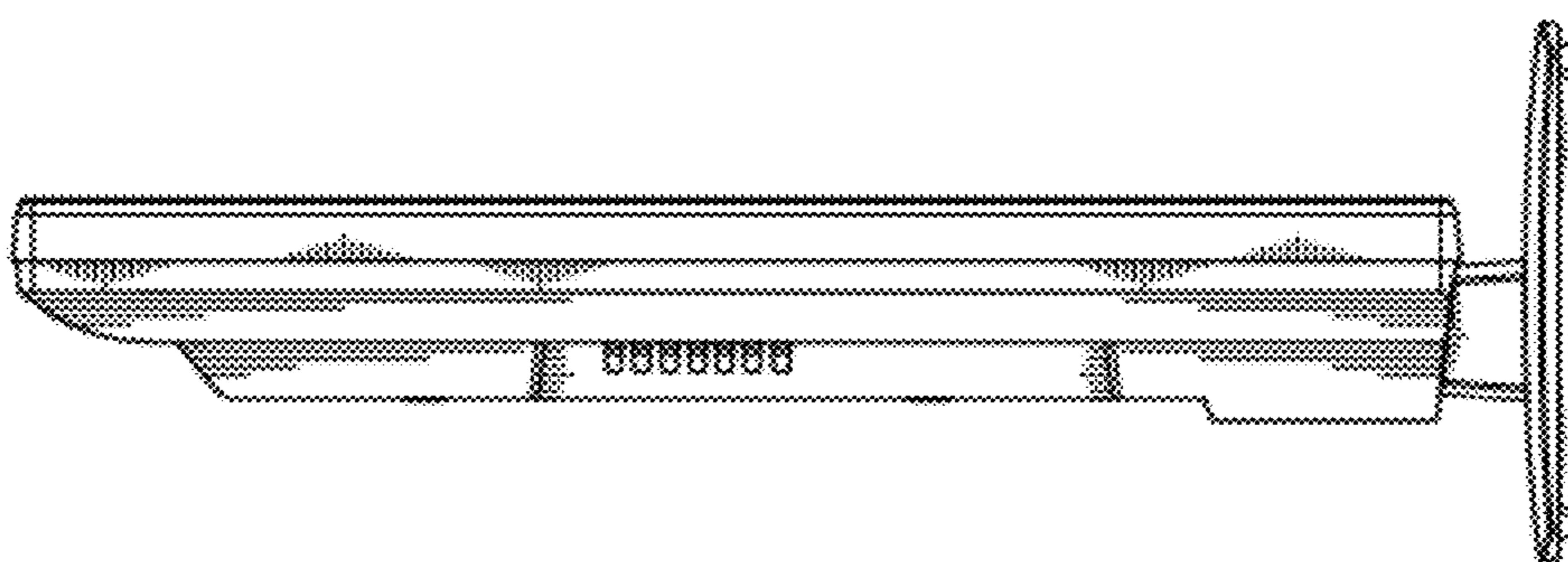


FIG. 4

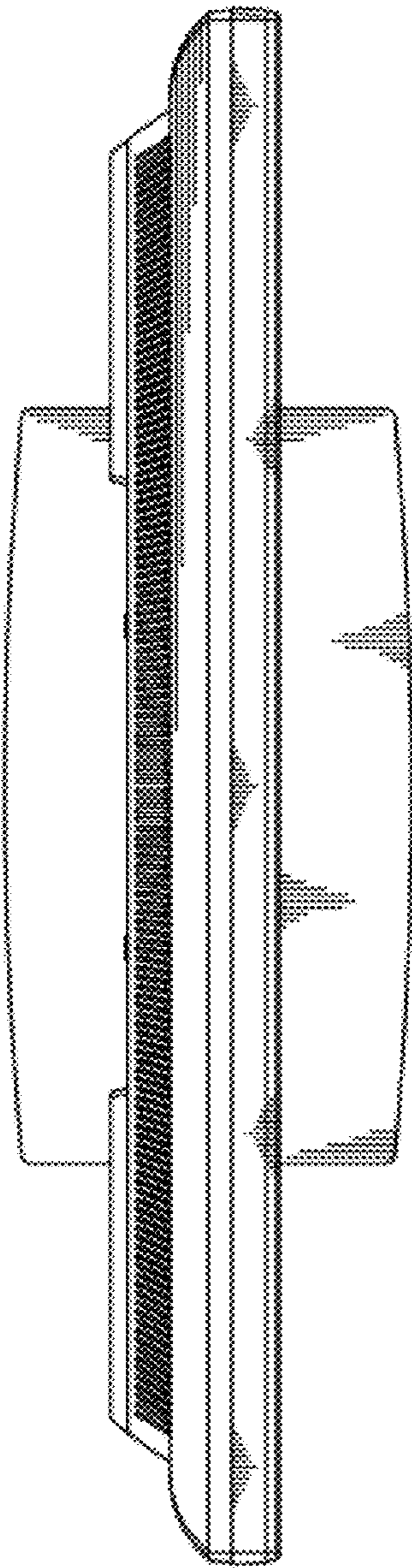


FIG. 6

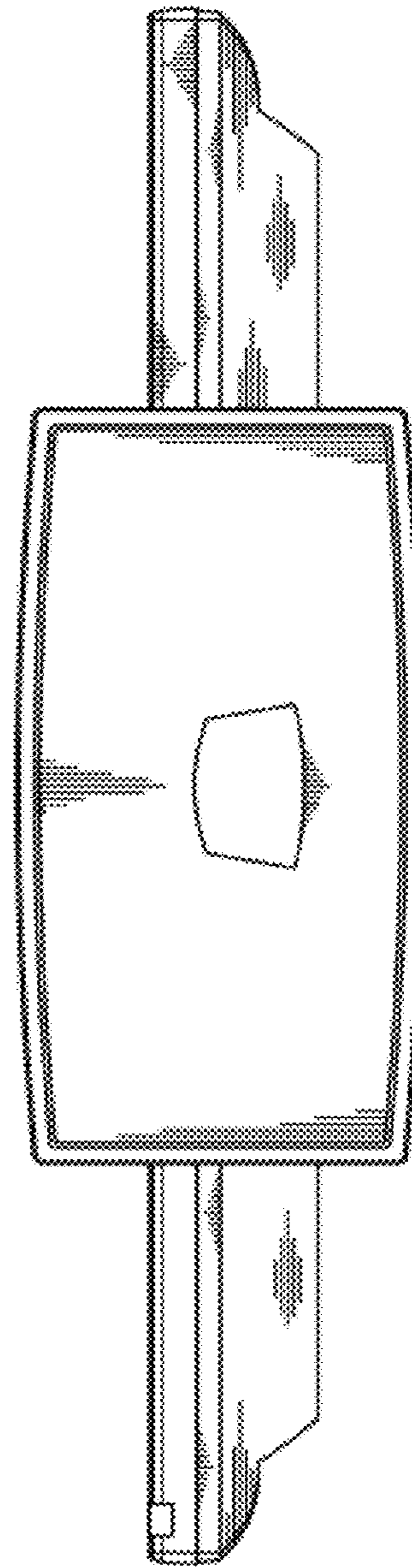


FIG. 7