



US00D676396S

(12) **United States Design Patent**  
**Lin**

(10) **Patent No.:** **US D676,396 S**  
(45) **Date of Patent:** **\*\* Feb. 19, 2013**

(54) **LIGHT EMITTING DIODE**

(75) Inventor: **Jung Chiuan Lin**, New Taipei (TW)  
(73) Assignee: **Everlight Electronics Co., Ltd.** (TW)  
(\*\*) Term: **14 Years**  
(21) Appl. No.: **29/417,946**  
(22) Filed: **Apr. 10, 2012**

(30) **Foreign Application Priority Data**

Oct. 31, 2011 (TW) ..... 100305884

(51) **LOC (9) Cl.** ..... **13-03**  
(52) **U.S. Cl.** ..... **D13/180**  
(58) **Field of Classification Search** ..... D13/180;  
D26/1, 2; 257/79, 80, 81, 88, 89, 95, 98,  
257/99, 100, E33.058; 313/483, 498, 500;  
362/555, 800

See application file for complete search history.

(56) **References Cited**

**U.S. PATENT DOCUMENTS**

7,199,452 B2 \* 4/2007 Takase ..... 257/660  
D609,654 S \* 2/2010 Hsieh ..... D13/180  
D619,111 S \* 7/2010 Wu et al. .... D13/180  
D656,907 S \* 4/2012 Wu et al. .... D13/180  
D657,321 S \* 4/2012 Wu et al. .... D13/180  
2008/0272383 A1 \* 11/2008 Loh ..... 257/98

**FOREIGN PATENT DOCUMENTS**

JP D1332784 6/2008  
JP D1357437 4/2009  
KR 30-0382756 5/2005  
KR 30-0465248 10/2007  
TW D114623 12/2006  
TW D132331 12/2009  
TW 201025559 7/2010  
TW D139847 4/2011

\* cited by examiner

*Primary Examiner* — Selina Sikder

(74) *Attorney, Agent, or Firm* — Andy M. Han; Han IP Law PLLC

(57) **CLAIM**

The ornamental design for a light emitting diode, as shown.

**DESCRIPTION**

FIG. 1 is a first perspective view of a light emitting diode incorporating a design according to an embodiment of the present disclosure;

FIG. 2 is a front elevational view thereof;

FIG. 3 is a rear elevational view thereof;

FIG. 4 is a left side elevational view thereof;

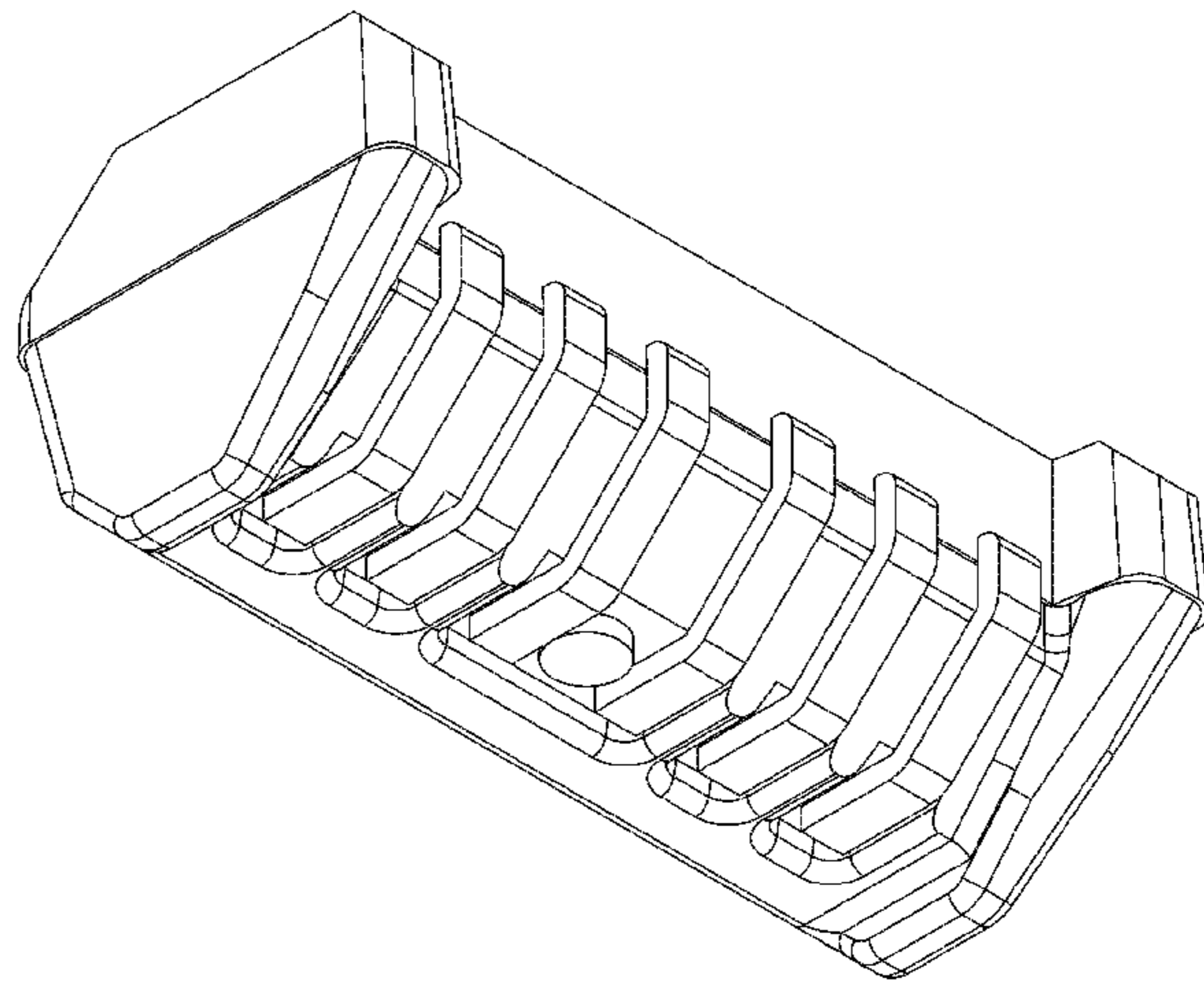
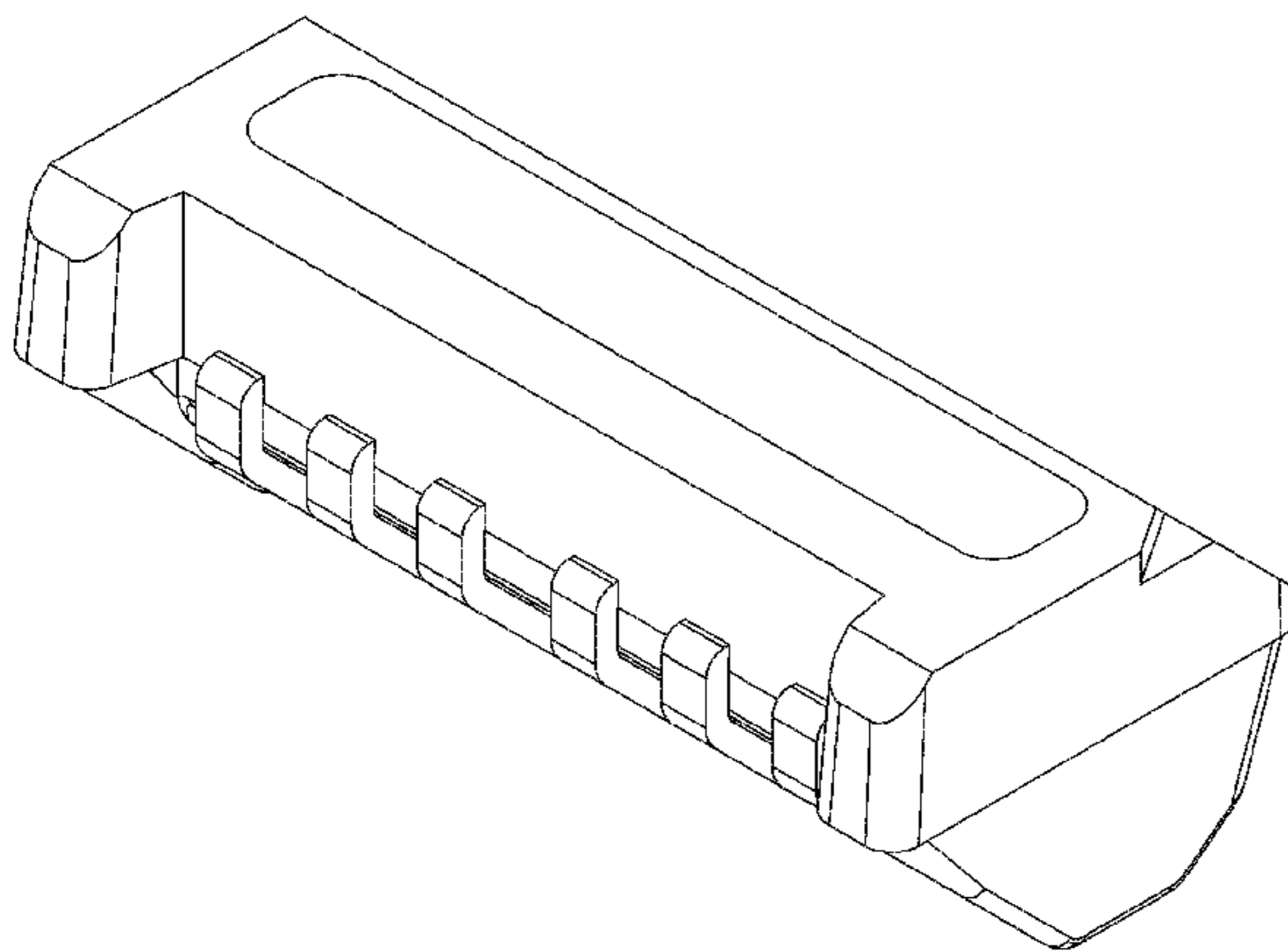
FIG. 5 is a right side elevational view thereof;

FIG. 6 is a top plan view thereof;

FIG. 7 is a bottom plan view thereof; and,

FIG. 8 is a second perspective view thereof.

**1 Claim, 5 Drawing Sheets**



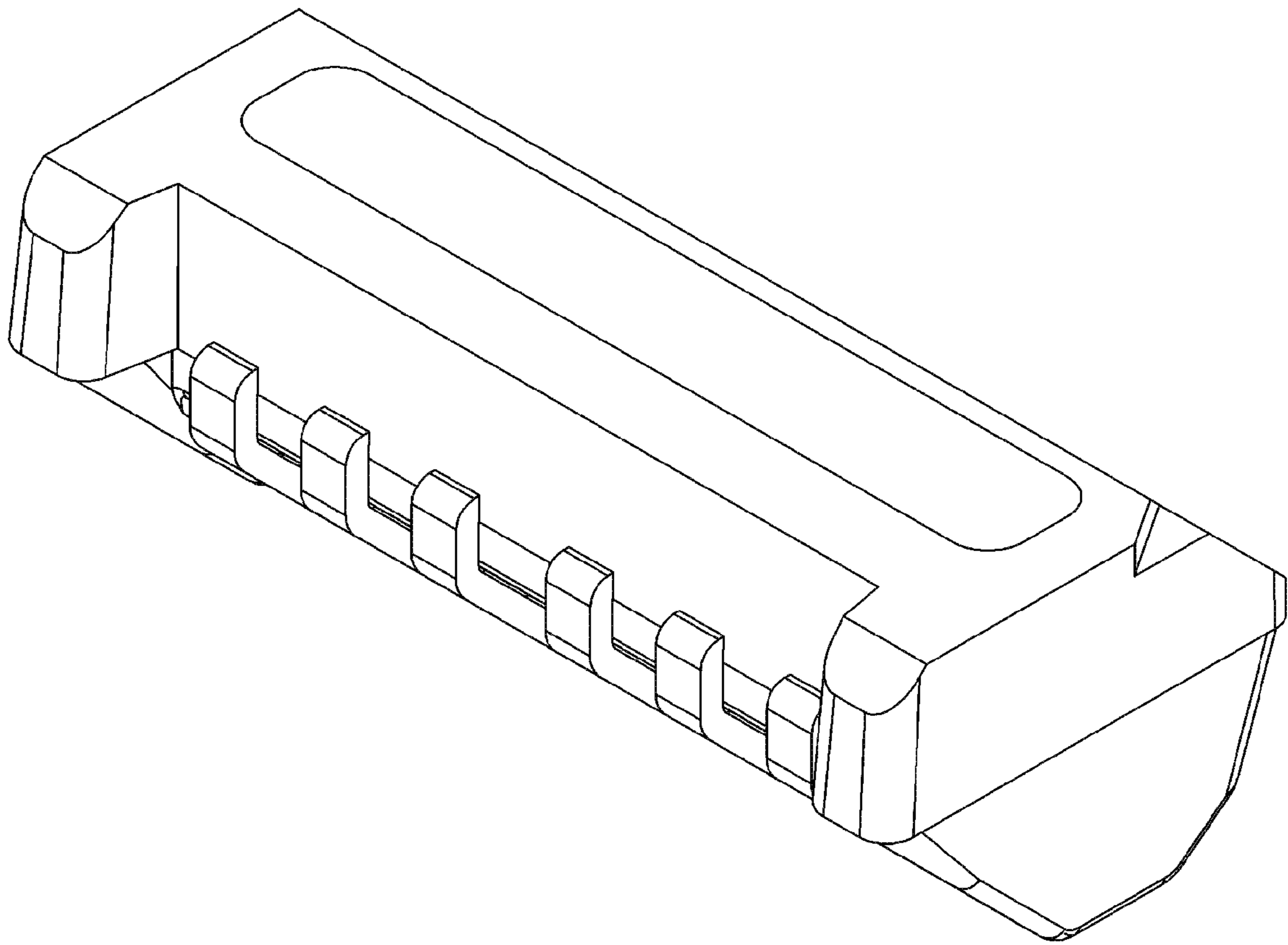


FIG. 1

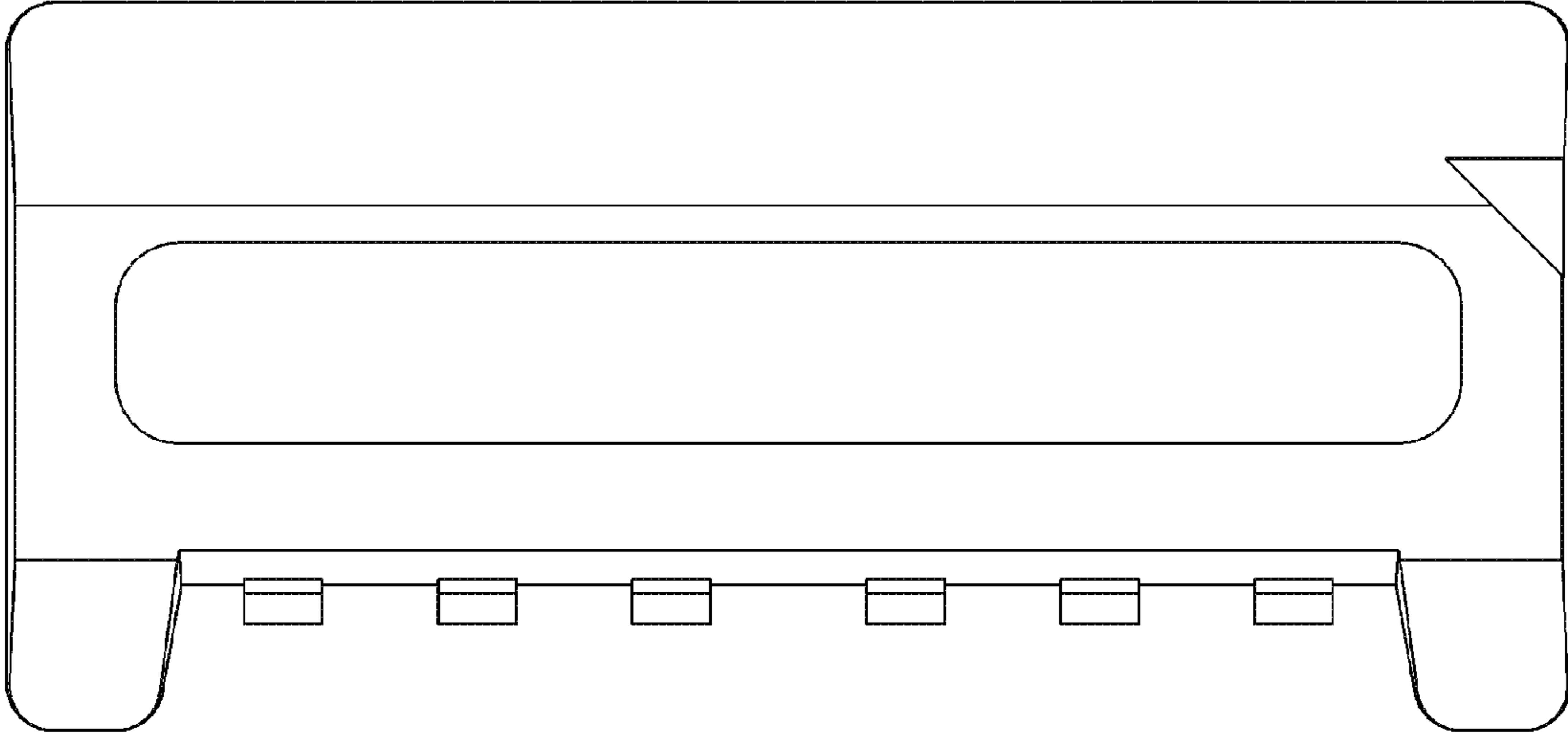


FIG. 2

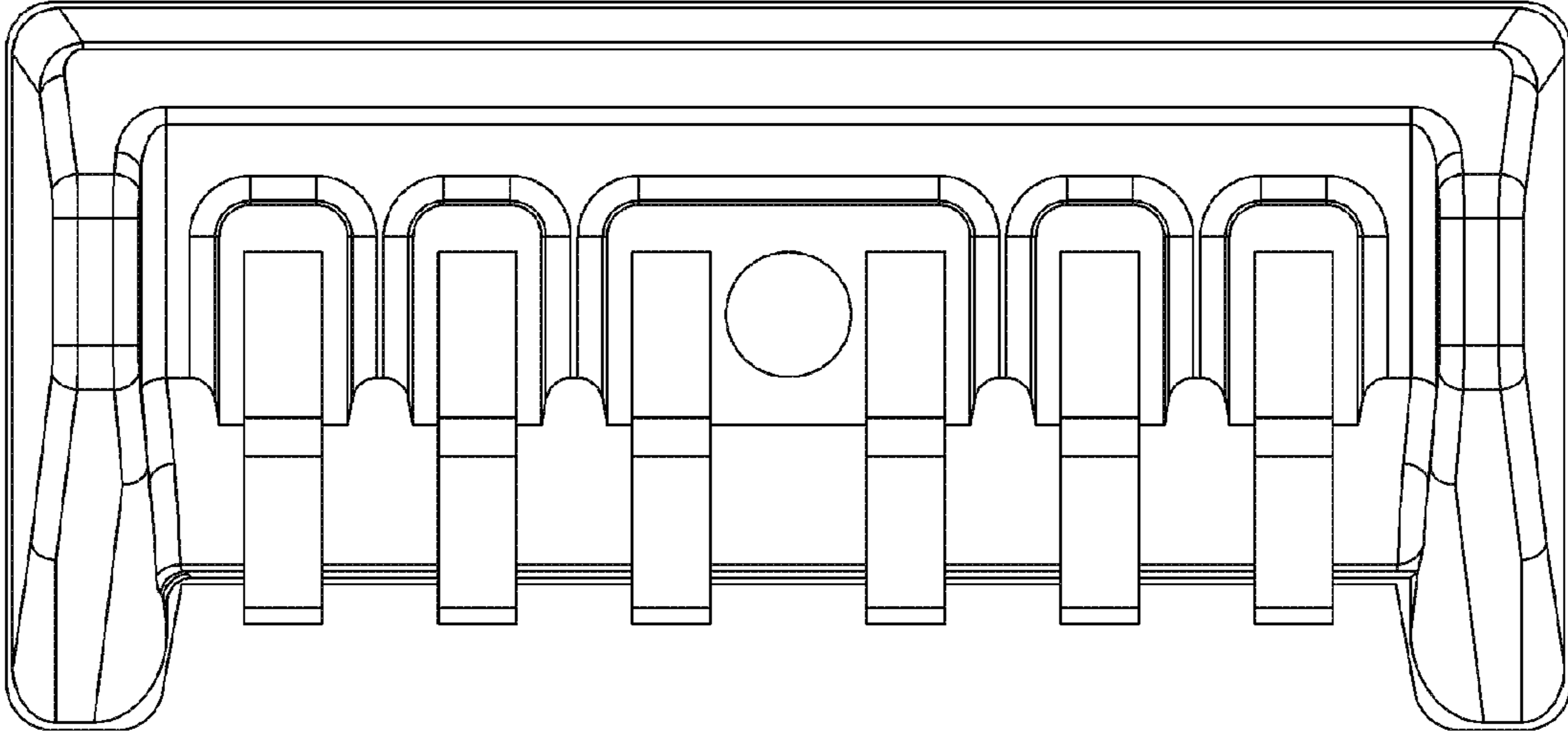


FIG. 3

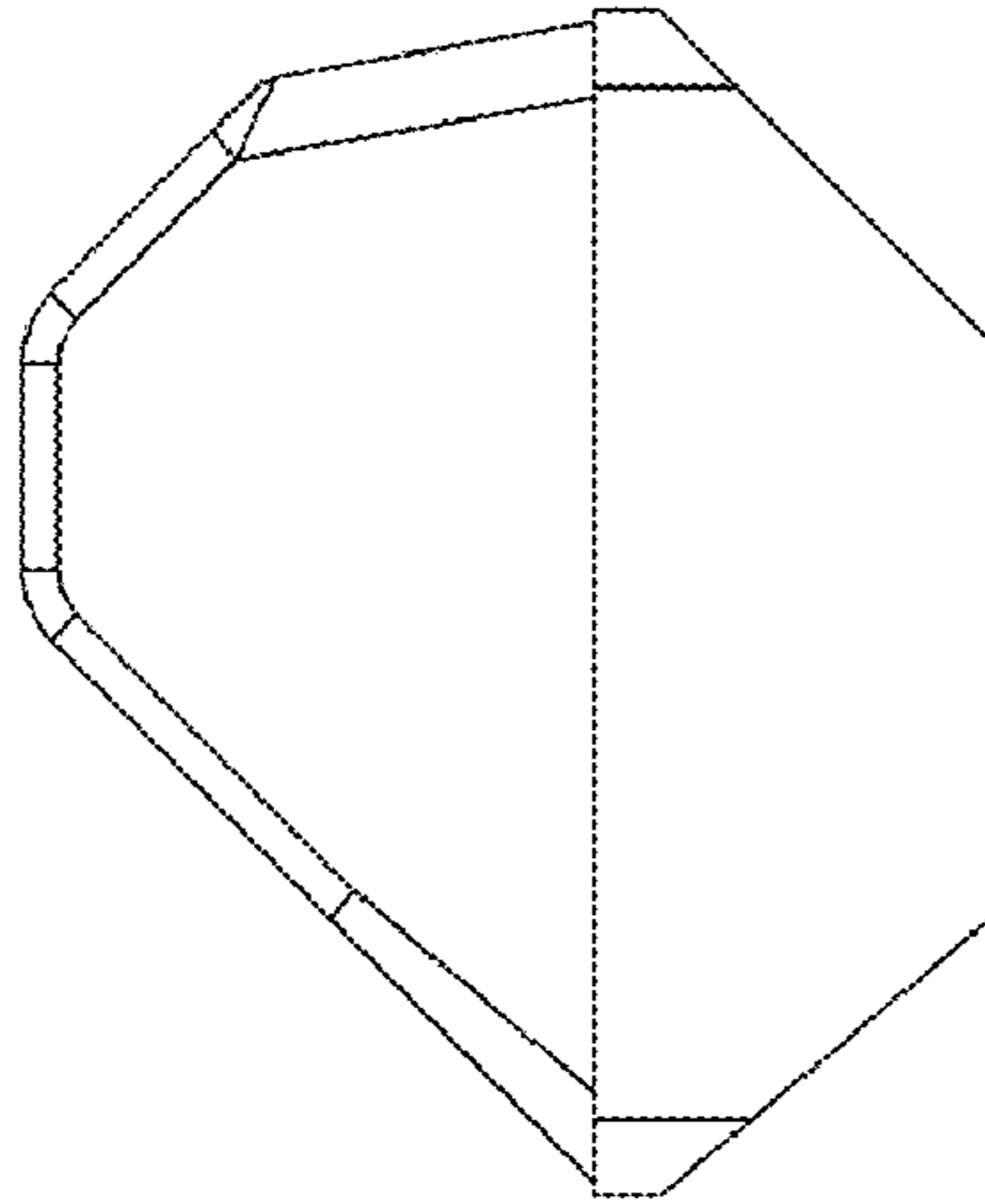


FIG. 4

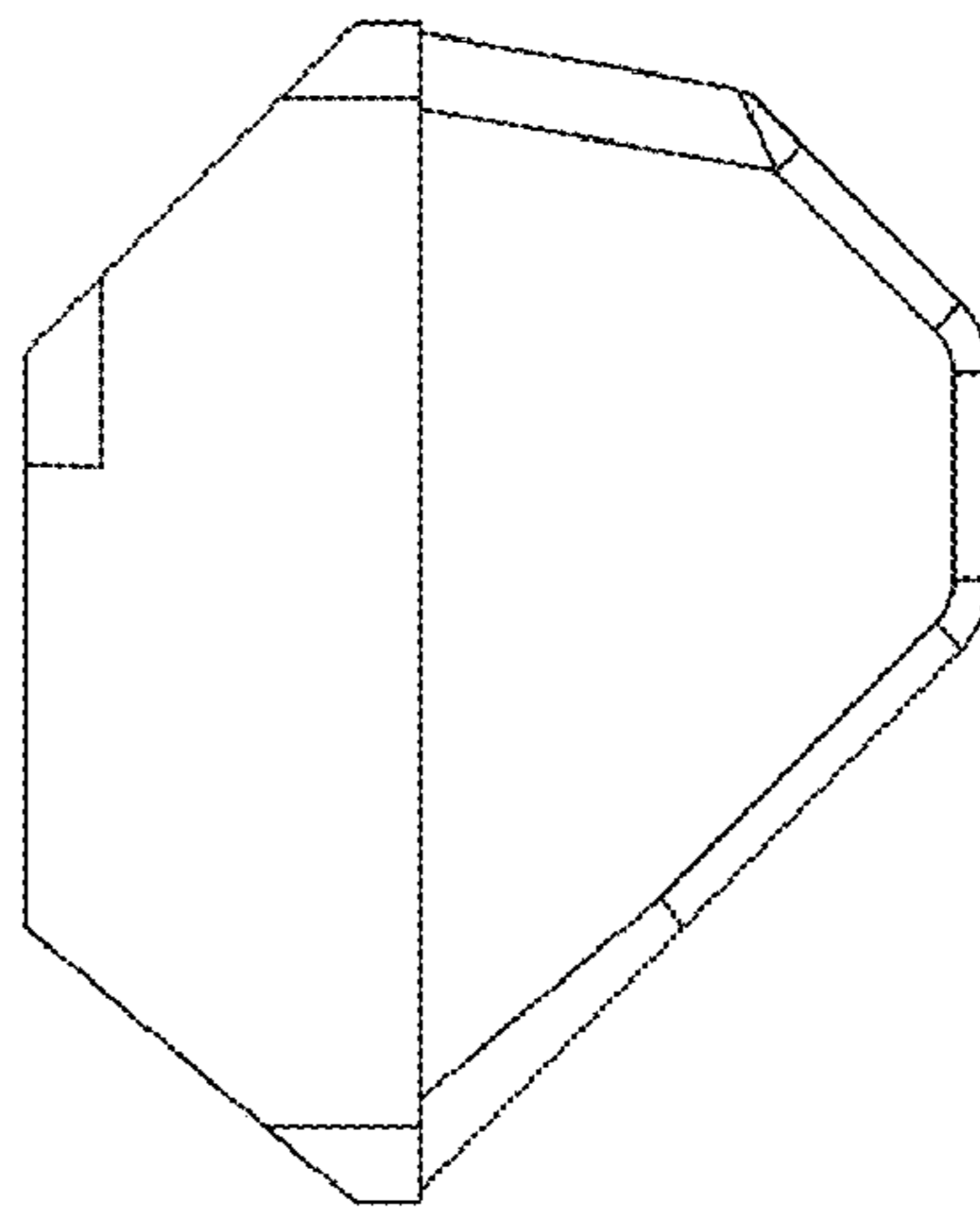


FIG. 5

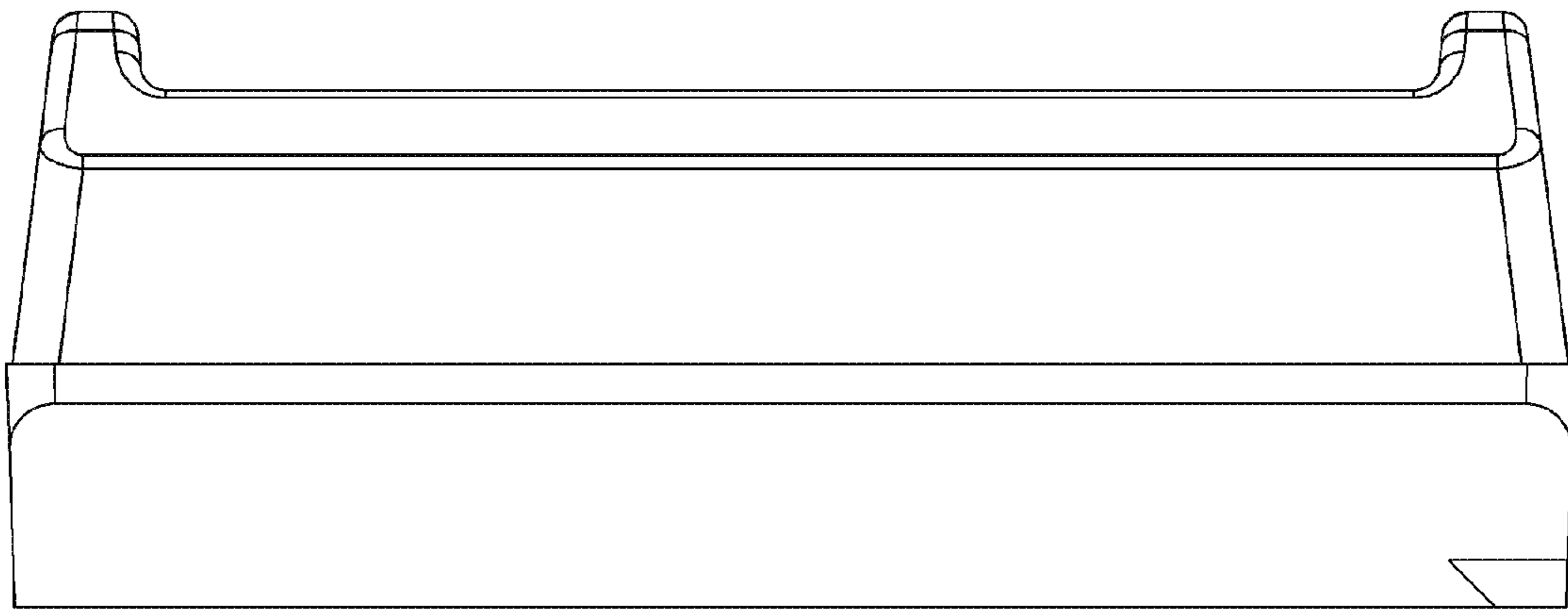


FIG. 6

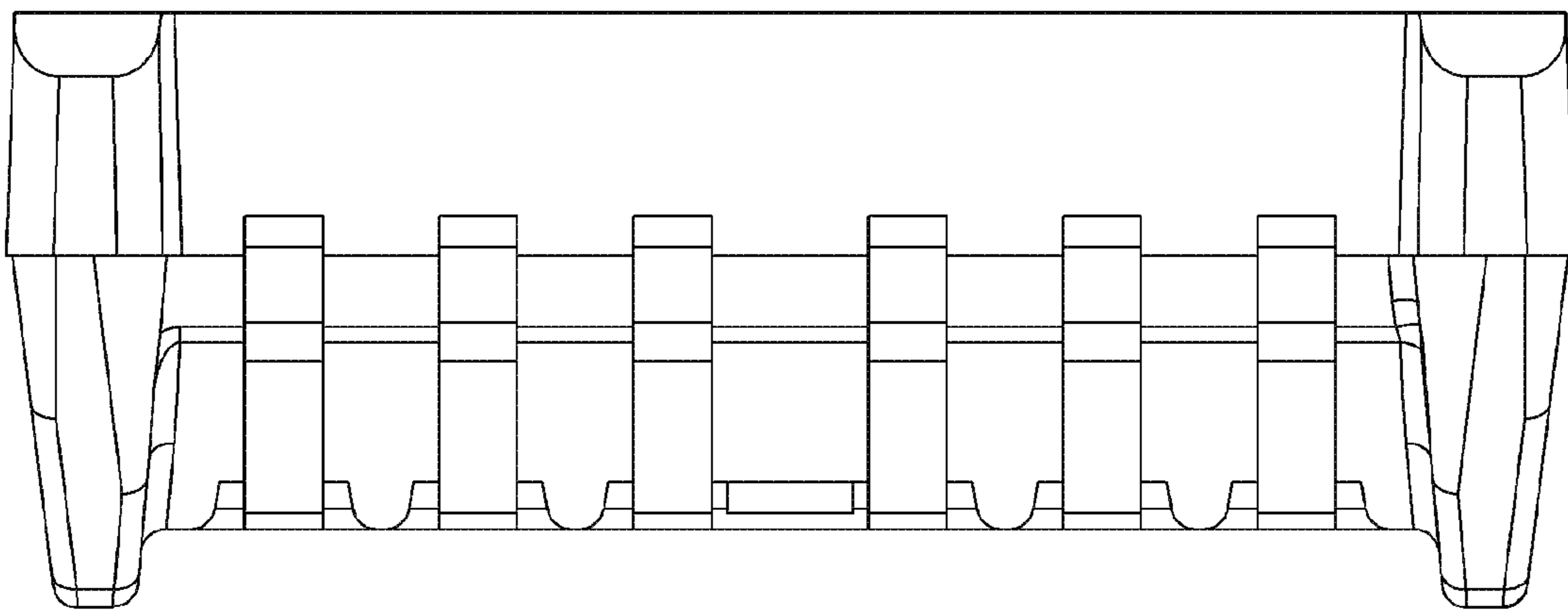


FIG. 7

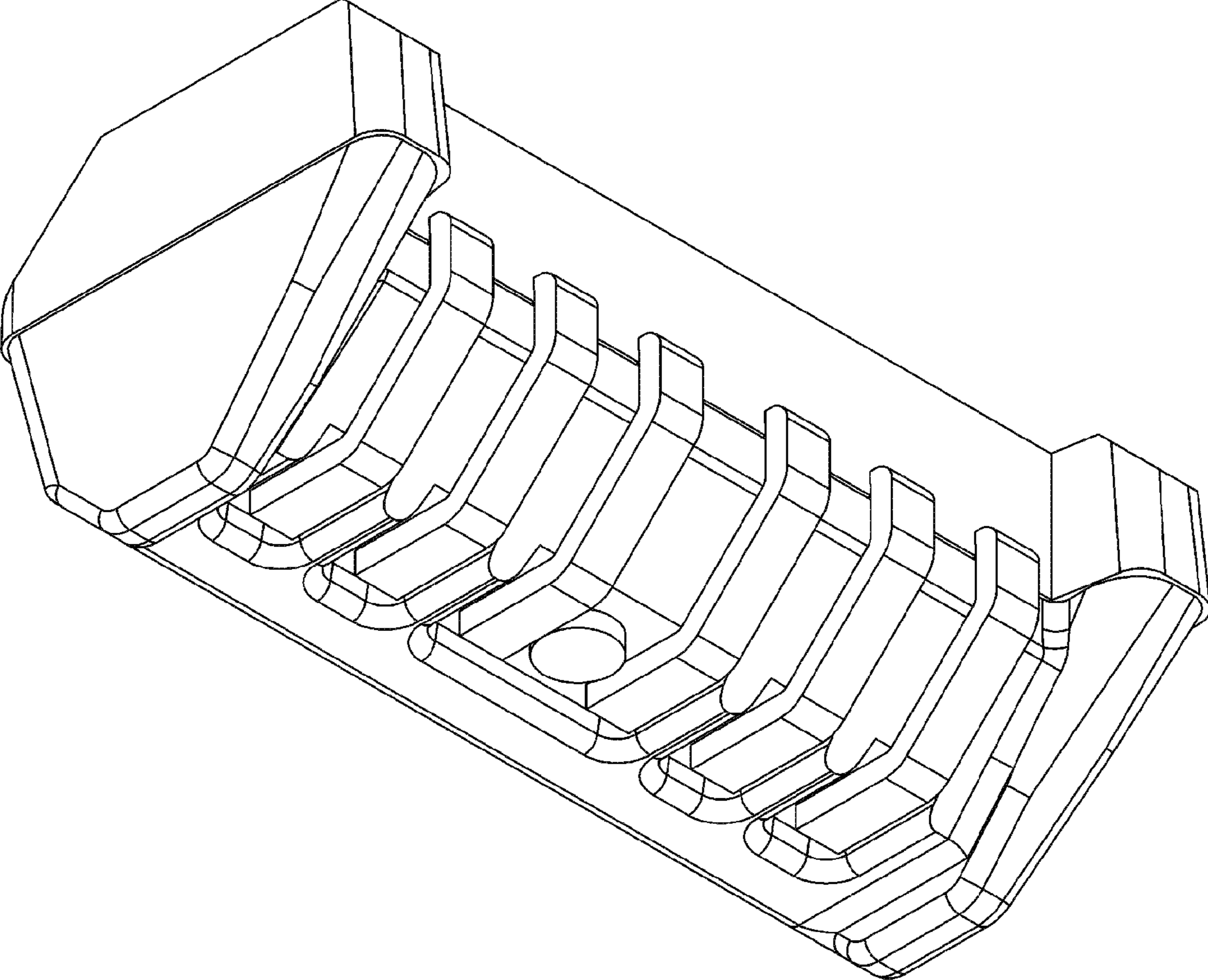


FIG. 8