



US00D676395S

(12) **United States Design Patent**
Hussell et al.

(10) **Patent No.:** **US D676,395 S**
(45) **Date of Patent:** **** Feb. 19, 2013**

- (54) **LIGHT EMITTING DEVICE PACKAGE**
- (75) Inventors: **Christopher P. Hussell**, Cary, NC (US);
Peter Scott Andrews, Durham, NC
(US); **Jesse Colin Reiherzer**, Wake
Forest, NC (US); **David T. Emerson**,
Chapel Hill, NC (US)
- (73) Assignee: **Cree, Inc.**, Durham, NC (US)
- (**) Term: **14 Years**
- (21) Appl. No.: **29/408,955**
- (22) Filed: **Dec. 19, 2011**

7,872,418	B2	1/2011	Hata et al.	
D637,564	S	5/2011	Tseng et al.	
D645,417	S *	9/2011	Imai et al.	D13/180
D650,760	S *	12/2011	Hussell et al.	D13/180
2004/0196663	A1 *	10/2004	Ishida et al.	362/539
2007/0018295	A1 *	1/2007	Kim et al.	257/678
2008/0054279	A1	3/2008	Hussell et al.	
2008/0054284	A1	3/2008	Hussell et al.	
2008/0054286	A1 *	3/2008	Loh et al.	257/98
2010/0078664	A1	4/2010	Helbing	
2010/0141182	A1	6/2010	Shi	
2010/0253248	A1	10/2010	Shi	
2010/0320483	A1	12/2010	Kadotani et al.	
2011/0291151	A1 *	12/2011	Matsuda et al.	257/99

OTHER PUBLICATIONS

Bridgelux Product Data Sheet—1 page <http://www.bridgelux.com/products/ledarray.html> at least as early as Nov. 18, 2010.
U.S. Appl. No. 29/380,387 for “Light Emitting Device Package” filed Dec. 3, 2010.
U.S. Appl. No. 13/028,972 for “Light Emitting Devices and Methods” filed Feb. 16, 2011.

* cited by examiner

Primary Examiner — Selina Sikder

(74) *Attorney, Agent, or Firm* — Jenkins, Wilson, Taylor & Hunt, P.A.

Related U.S. Application Data

- (62) Division of application No. 29/379,636, filed on Nov. 22, 2010, now Pat. No. Des. 650,760.
- (51) **LOC (9) Cl.** **13-03**
- (52) **U.S. Cl.** **D13/180**
- (58) **Field of Classification Search** D13/180;
D26/1, 2; 257/79, 80, 81, 88, 89, 95, 98,
257/99, 100, E33.058; 313/483, 498, 500;
362/555, 800

See application file for complete search history.

(57) **CLAIM**

The ornamental design for a light emitting device package, as shown and described.

(56) **References Cited**

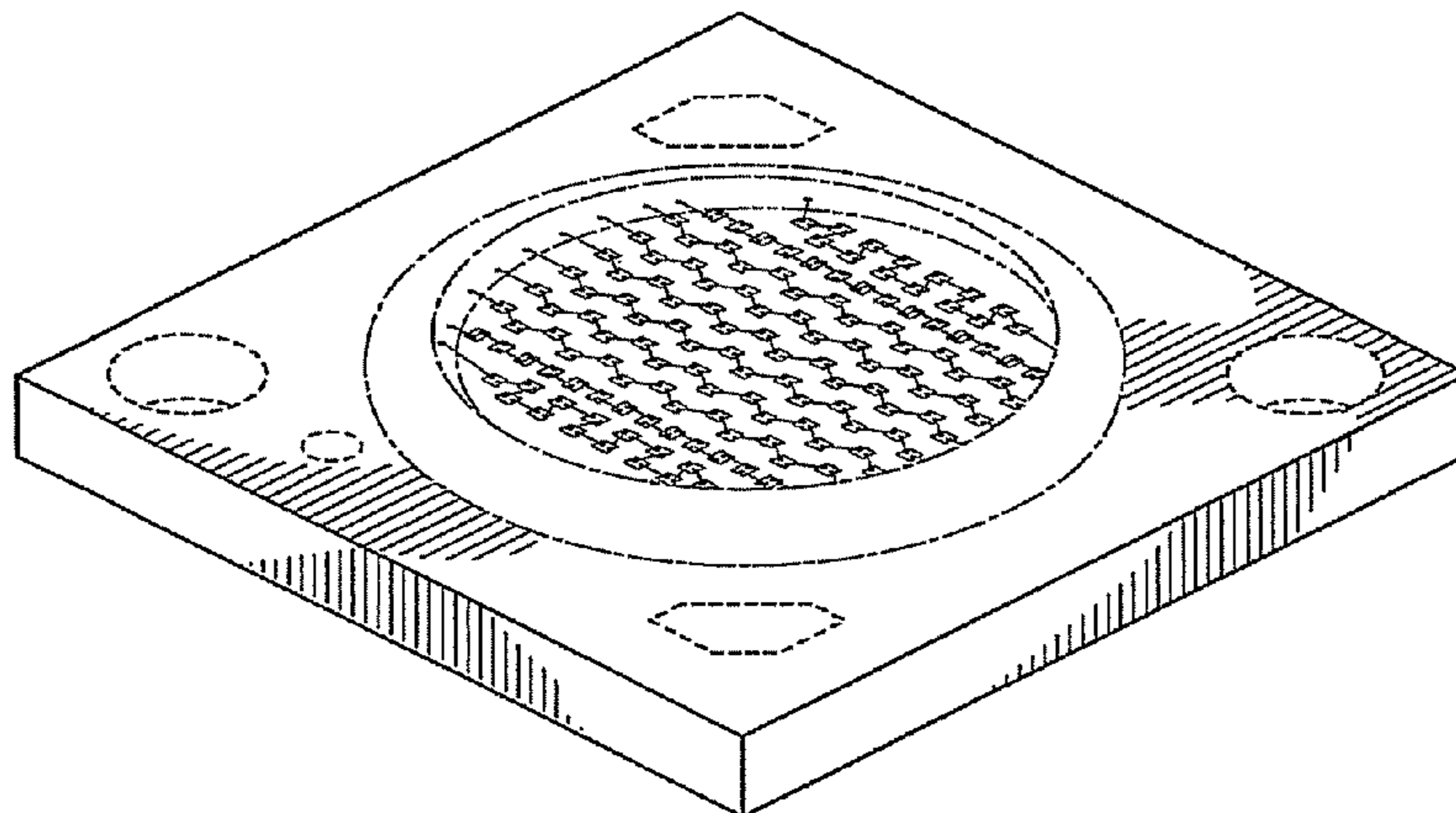
U.S. PATENT DOCUMENTS

7,224,000	B2 *	5/2007	Aanegola et al.	257/98
D570,797	S *	6/2008	Song	D13/180
D573,553	S	7/2008	Uemoto et al.	
D576,576	S	9/2008	Shida et al.	
7,482,636	B2	1/2009	Murayama et al.	
D589,470	S	3/2009	Chen	
D591,248	S *	4/2009	Imai et al.	D13/180
D593,043	S	5/2009	Song	
D602,451	S	10/2009	Gielen	
D603,813	S	11/2009	Nishimura et al.	
D607,420	S *	1/2010	Imai et al.	D13/180
7,649,209	B2	1/2010	Hussell et al.	
D615,052	S	5/2010	Imai et al.	
D618,635	S *	6/2010	Imai et al.	D13/180
7,825,578	B2	11/2010	Takashima et al.	

DESCRIPTION

FIG. 1 is a perspective view of a light emitting device package showing our design;
FIG. 2 is a top view thereof;
FIG. 3 a side view thereof, the opposing and adjacent sides being mirror images of that shown; and,
FIG. 4 is a bottom view thereof.
The dashed broken lines are for illustrative purpose only and form no part of the claimed design. The dot-dash broken lines in FIGS. 1, 2 and 3 represent boundaries of the claimed design and form no part of the claimed design.

1 Claim, 3 Drawing Sheets



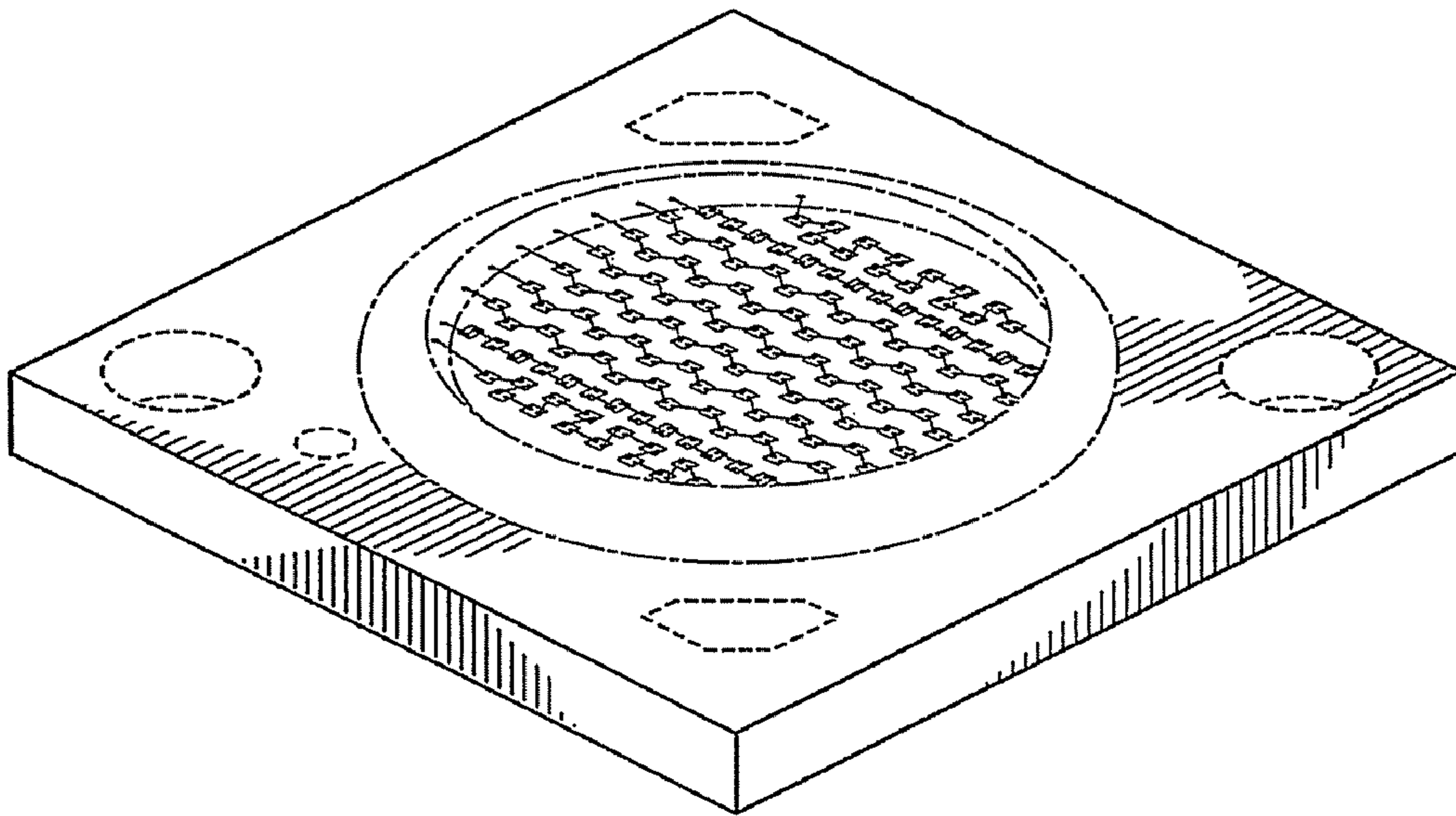


Fig. 1

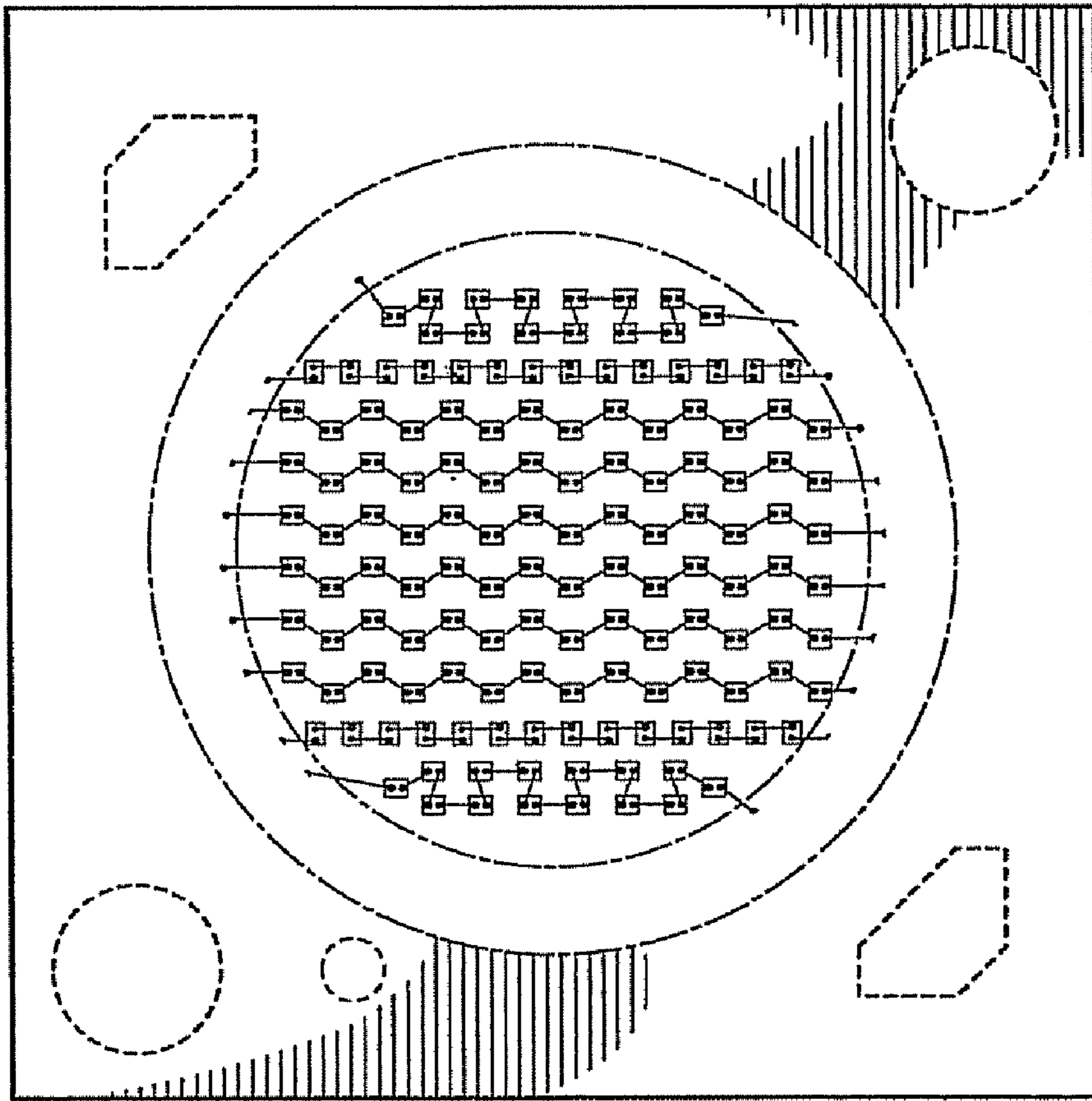


Fig. 2

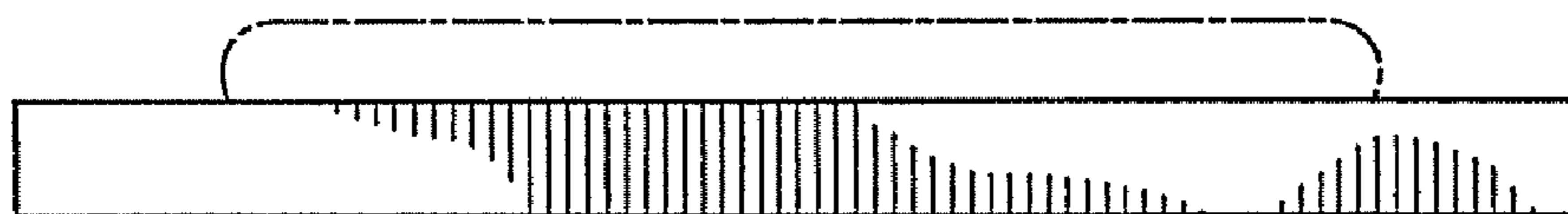


Fig. 3

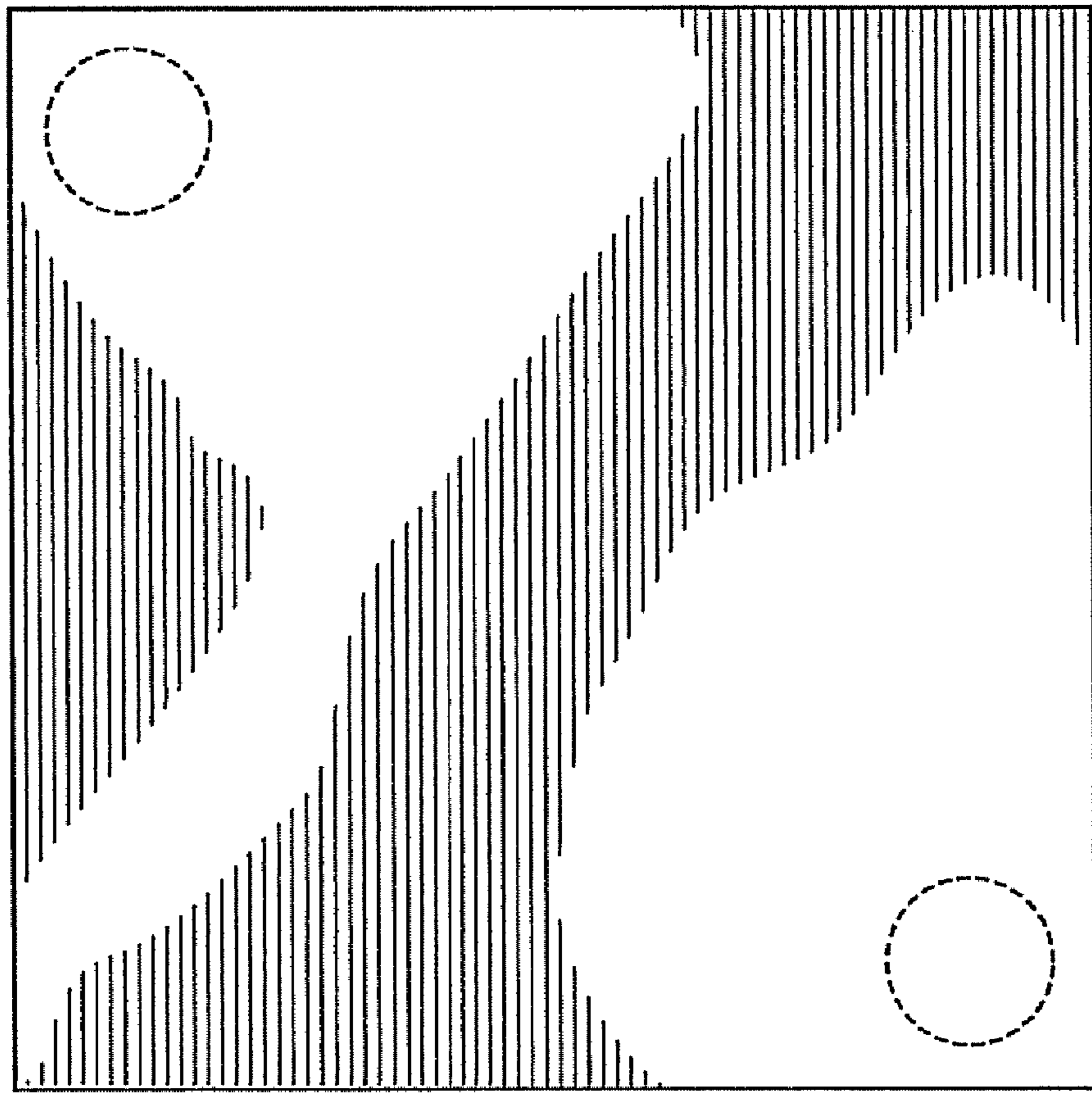


Fig. 4