



US00D676394S

(12) **United States Design Patent**
Wang et al.

(10) **Patent No.:** **US D676,394 S**
(45) **Date of Patent:** **** Feb. 19, 2013**

(54) **REMOTE CONTROLLER**
(75) Inventors: **Kuang-Sung Wang**, New Taipei (TW);
Chia-Ao Chu, New Taipei (TW)
(73) Assignee: **Hon Hai Precision Industry Co., Ltd.**,
New Taipei (TW)

D589,496 S * 3/2009 Legrand D14/218
D612,365 S * 3/2010 Lin D14/218
7,804,484 B2 * 9/2010 Martinez et al. 345/156
7,868,871 B2 * 1/2011 Richardson et al. 345/168
D638,374 S * 5/2011 Corcoran et al. D13/168
D649,941 S * 12/2011 Lee et al. D13/168
2007/0268262 A1 * 11/2007 Martinez et al. 345/169
2011/0282519 A1 * 11/2011 Carlsson 701/2

(**) Term: **14 Years**

* cited by examiner

(21) Appl. No.: **29/412,800**

Primary Examiner — Selina Sikder

(22) Filed: **Feb. 8, 2012**

(74) *Attorney, Agent, or Firm* — Altis Law Group, Inc.

(51) **LOC (9) Cl.** **14-03**

(52) **U.S. Cl.** **D13/168**

(58) **Field of Classification Search** D13/168;
D14/218, 401, 454, 455; D21/333; 341/176;
345/169; 463/39; 340/4.3, 4.42, 12.22, 12.23,
340/12.24, 12.29, 12.3, 12.55, 13.2, 13.21,
340/13.24; 700/17, 65, 83

See application file for complete search history.

(57) **CLAIM**

The ornamental design for a remote controller, as shown and described.

DESCRIPTION

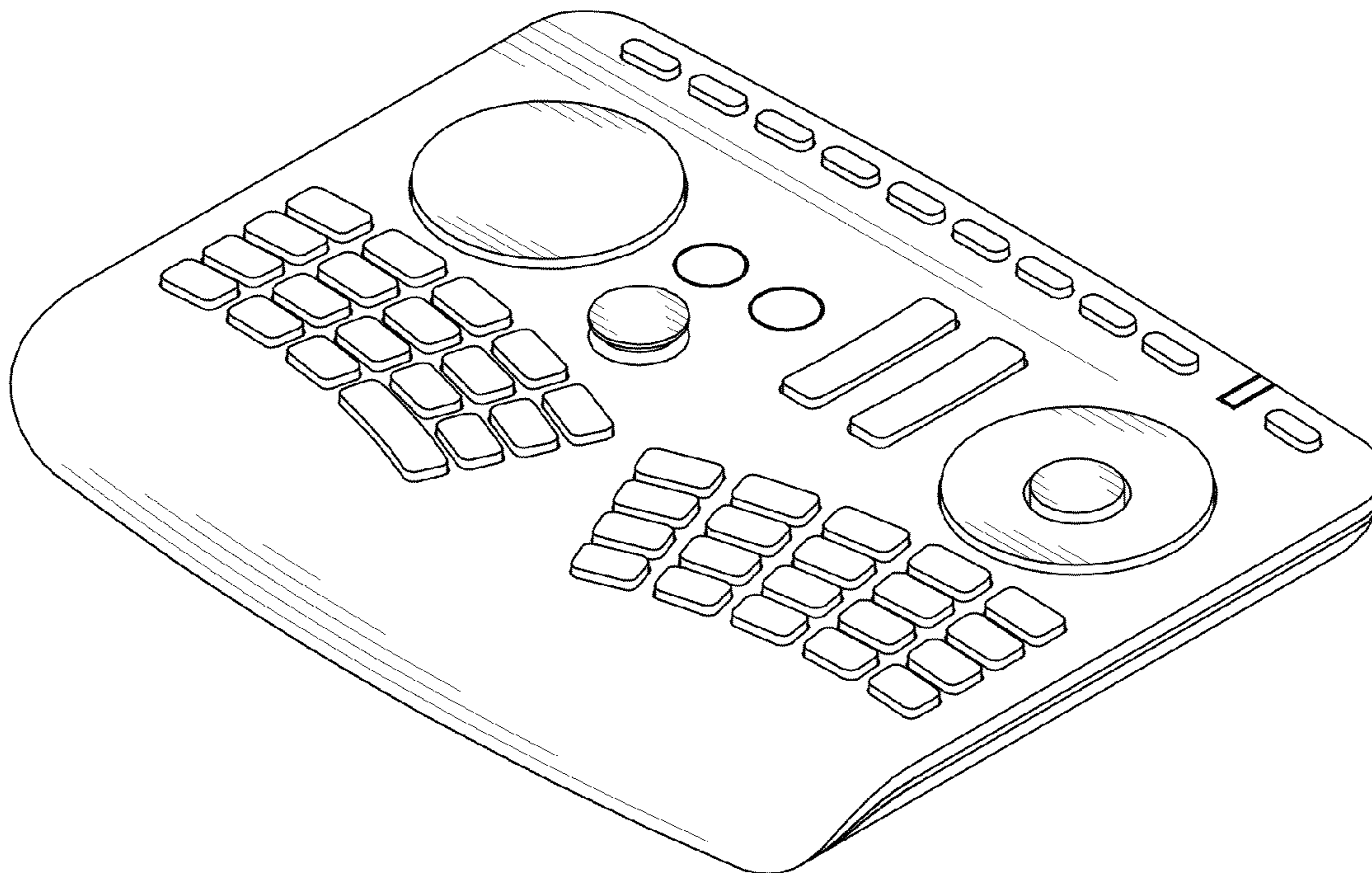
FIG. 1 is a perspective view of a remote controller showing my new design;
FIG. 2 is a front elevational view thereof;
FIG. 3 is a rear elevational view thereof;
FIG. 4 is a left side elevational view thereof;
FIG. 5 is a right side elevational view thereof;
FIG. 6 is a top plan view thereof; and,
FIG. 7 is a bottom plan view thereof.

(56) **References Cited**

U.S. PATENT DOCUMENTS

6,580,421 B1 * 6/2003 Leman 345/168
D533,142 S * 12/2006 Chen et al. D13/168

1 Claim, 7 Drawing Sheets



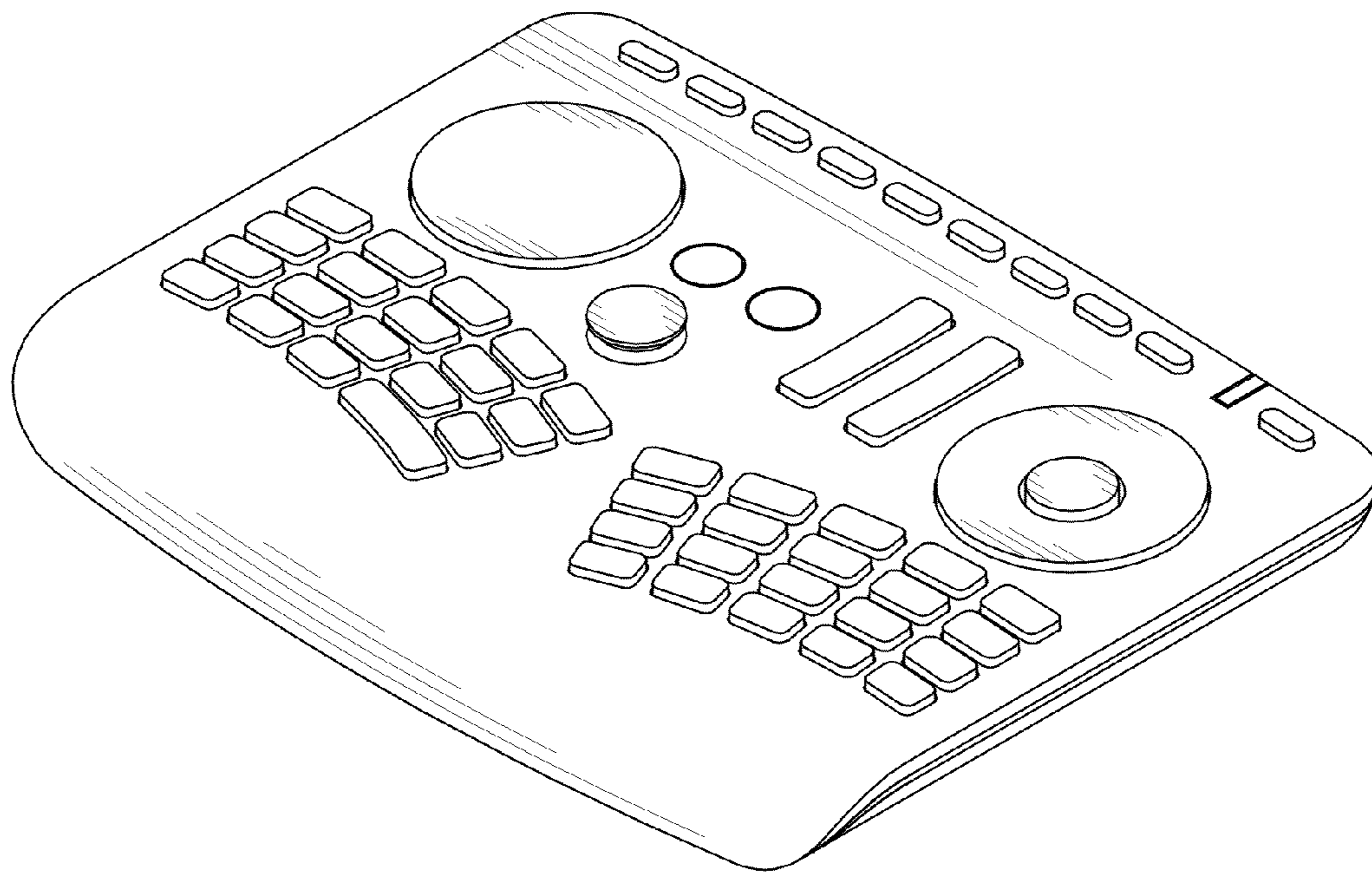


FIG. 1

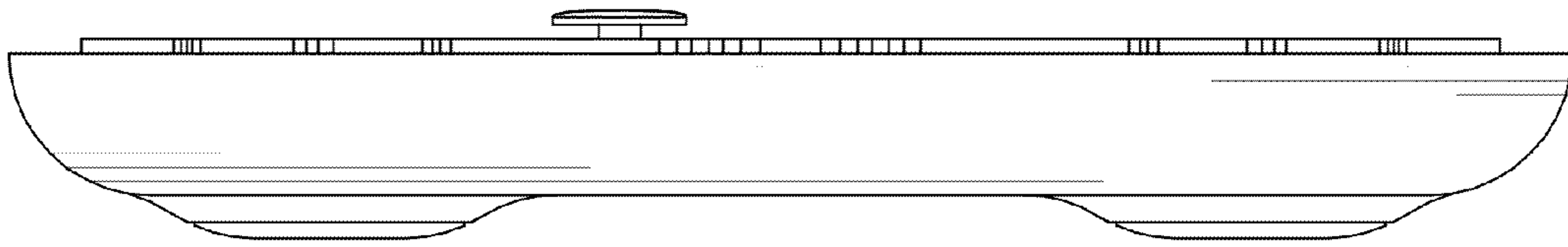


FIG. 2

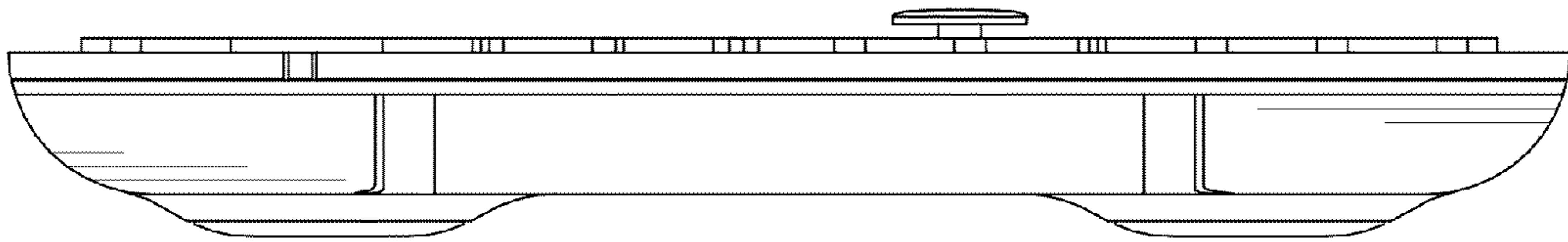


FIG. 3

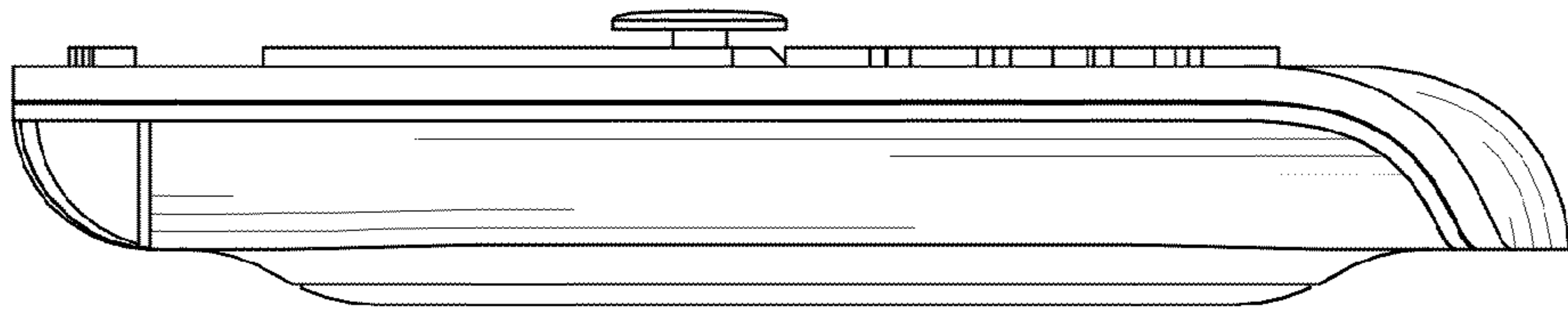


FIG. 4

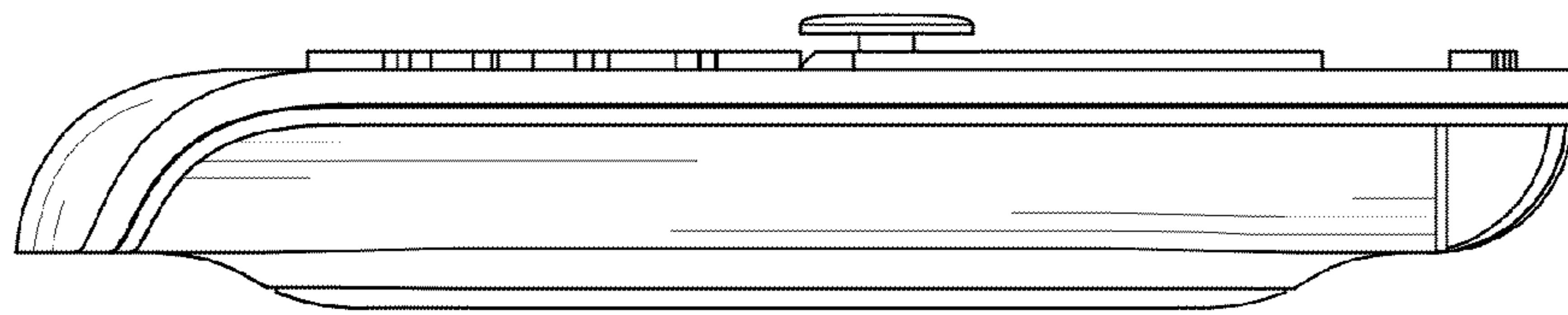


FIG. 5

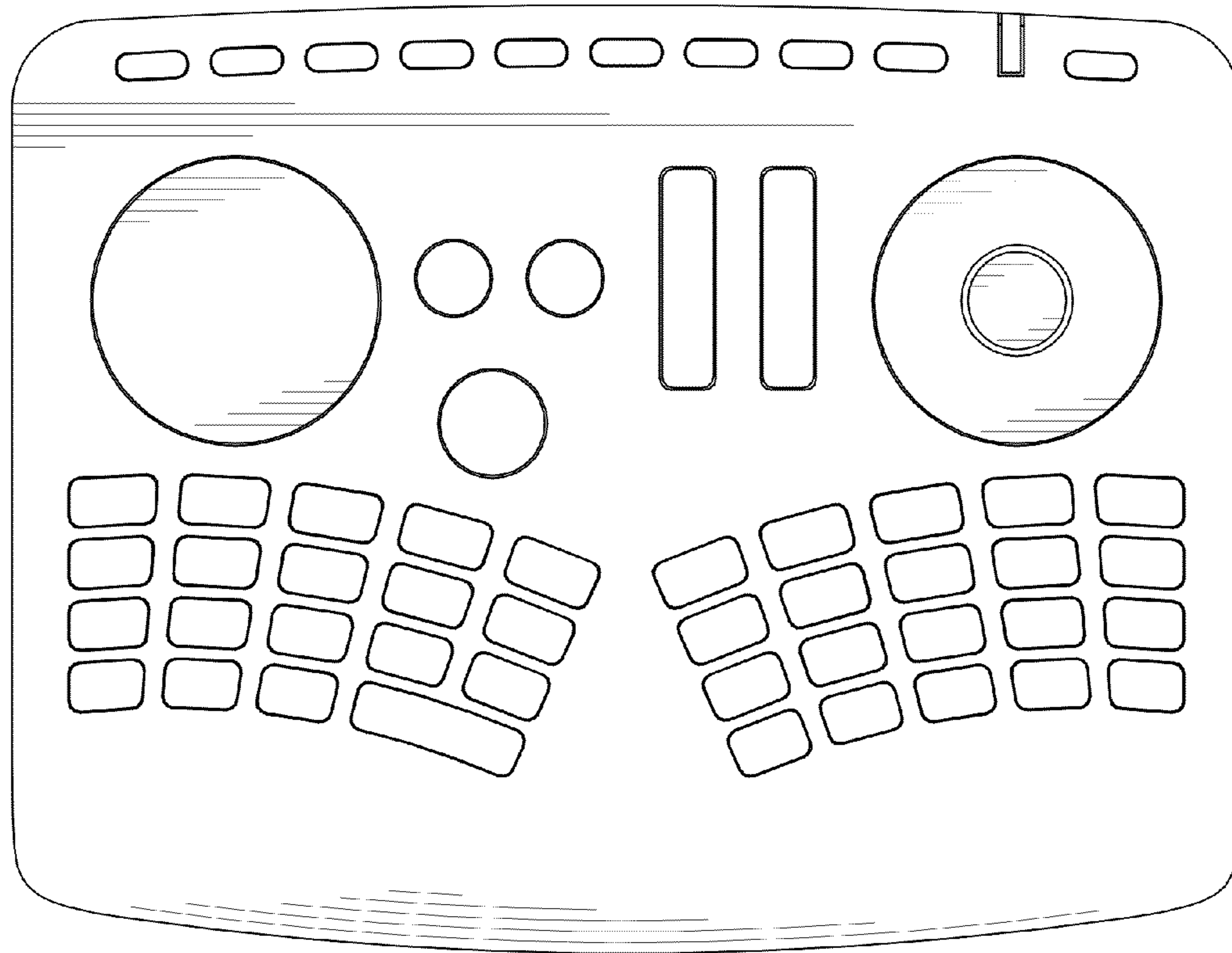


FIG. 6

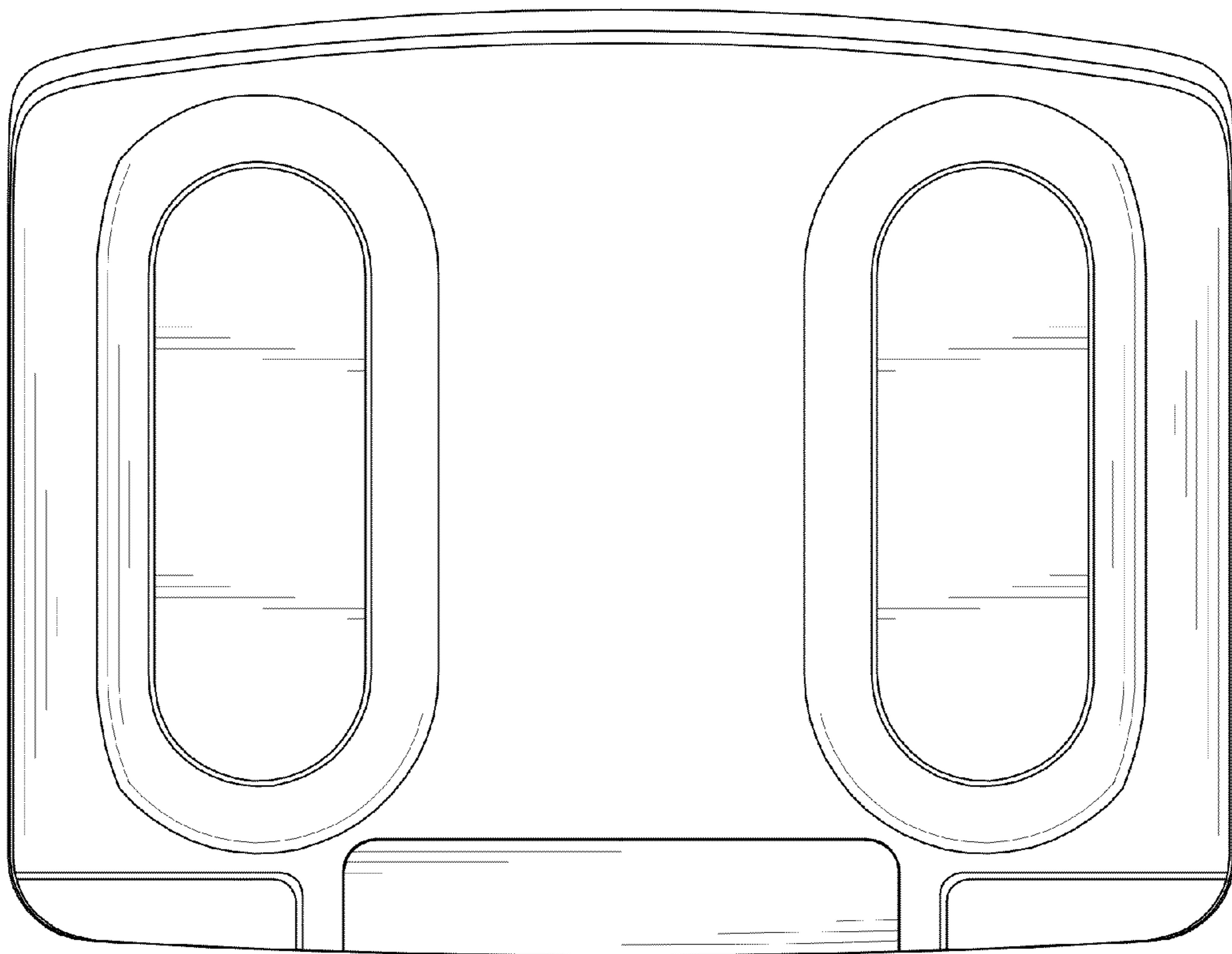


FIG. 7