

US00D676392S

(12) **United States Design Patent**  
**Gassauer**

(10) **Patent No.:** **US D676,392 S**

(45) **Date of Patent:** **\*\* Feb. 19, 2013**

(54) **ELECTRICAL CONNECTOR**

439/715, 716, 844, 849, 850-852, 857, 862,  
439/865-867, 870, 877, 884-891; 361/823

(75) Inventor: **Stephan Gassauer**, Ilfeld (DE)

See application file for complete search history.

(73) Assignee: **WAGO Verwaltungsgesellschaft mbH**,  
Minden (DE)

*Primary Examiner* — Daniel Bui

(74) *Attorney, Agent, or Firm* — Whitham Curtis  
Christofferson & Cook, PC

(\*\*) Term: **14 Years**

(57) **CLAIM**

(21) Appl. No.: **29/428,964**

The ornamental design for an electrical connector, as shown  
and described.

(22) Filed: **Aug. 6, 2012**

**DESCRIPTION**

**Related U.S. Application Data**

(62) Division of application No. 29/369,380, filed on Sep.  
8, 2010.

FIG. 1 is a front, top and left side perspective view of an  
electrical connector showing my new design;  
FIG. 2 is a rear view thereof;  
FIG. 3 is a left side view thereof;  
FIG. 4 is a front view thereof;  
FIG. 5 is a right side view thereof;  
FIG. 6 is a top plan view of thereof; and,  
FIG. 7 is a bottom plan view thereof.

(30) **Foreign Application Priority Data**

Mar. 9, 2010 (EM) ..... 001679010

The broken line in the drawing views is included to show  
unclaimed environment only and forms no part of the claimed  
design.

(51) **LOC (9) Cl.** ..... **13-03**

(52) **U.S. Cl.** ..... **D13/147**

(58) **Field of Classification Search** ..... D13/133,  
D13/146, 147, 154, 184, 199; 439/82, 83,  
439/409, 412, 413, 567, 636, 660, 692, 709,

**1 Claim, 4 Drawing Sheets**

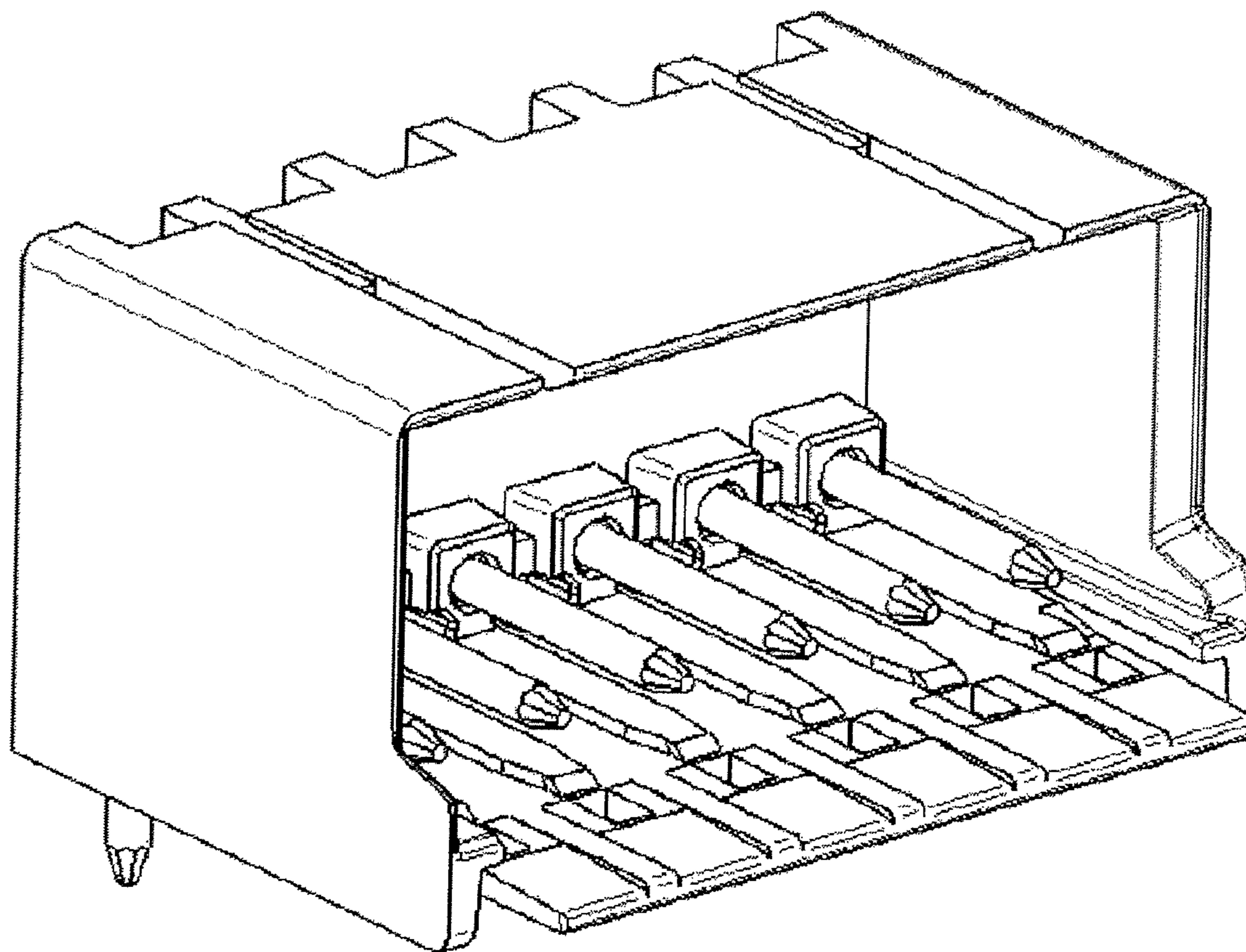
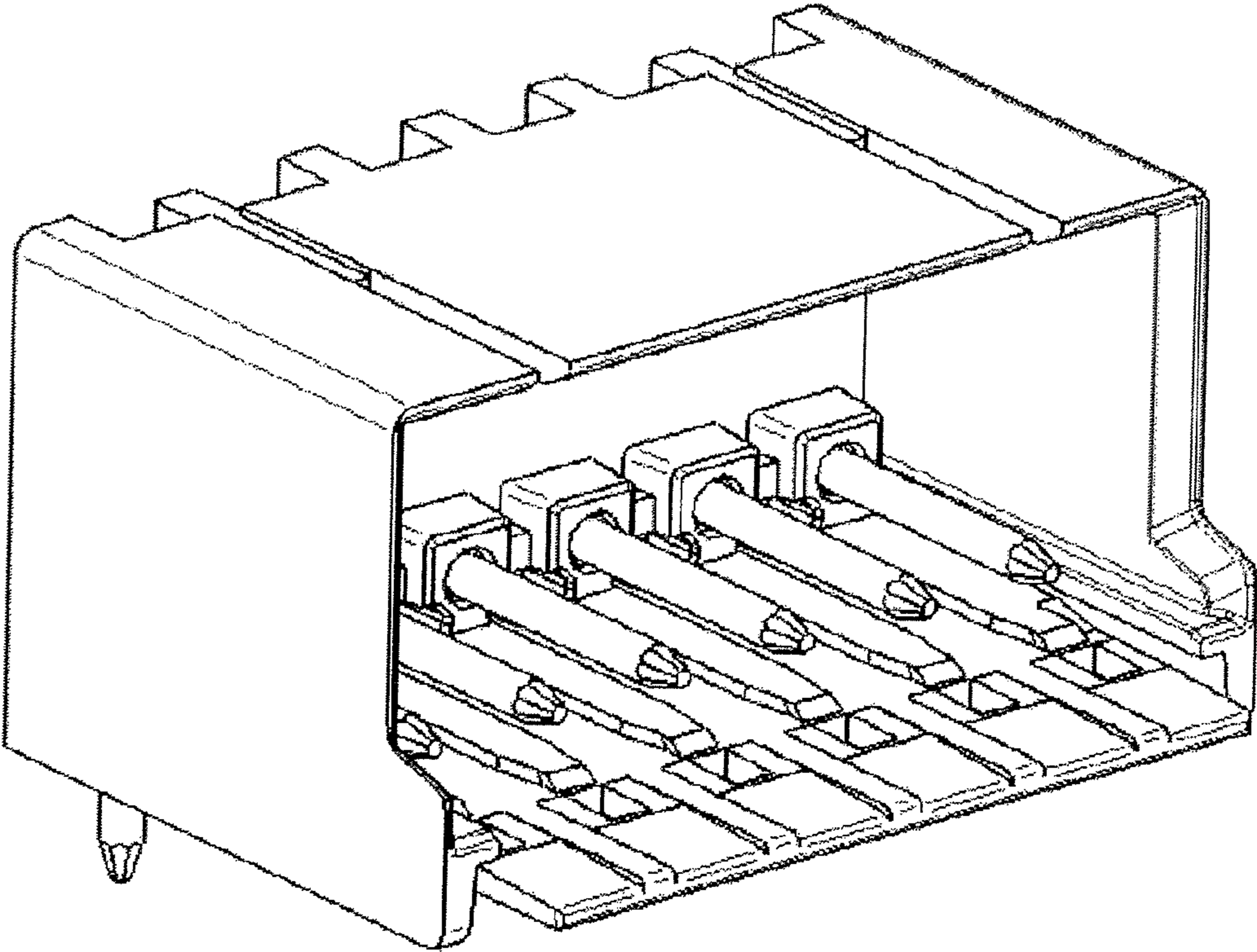
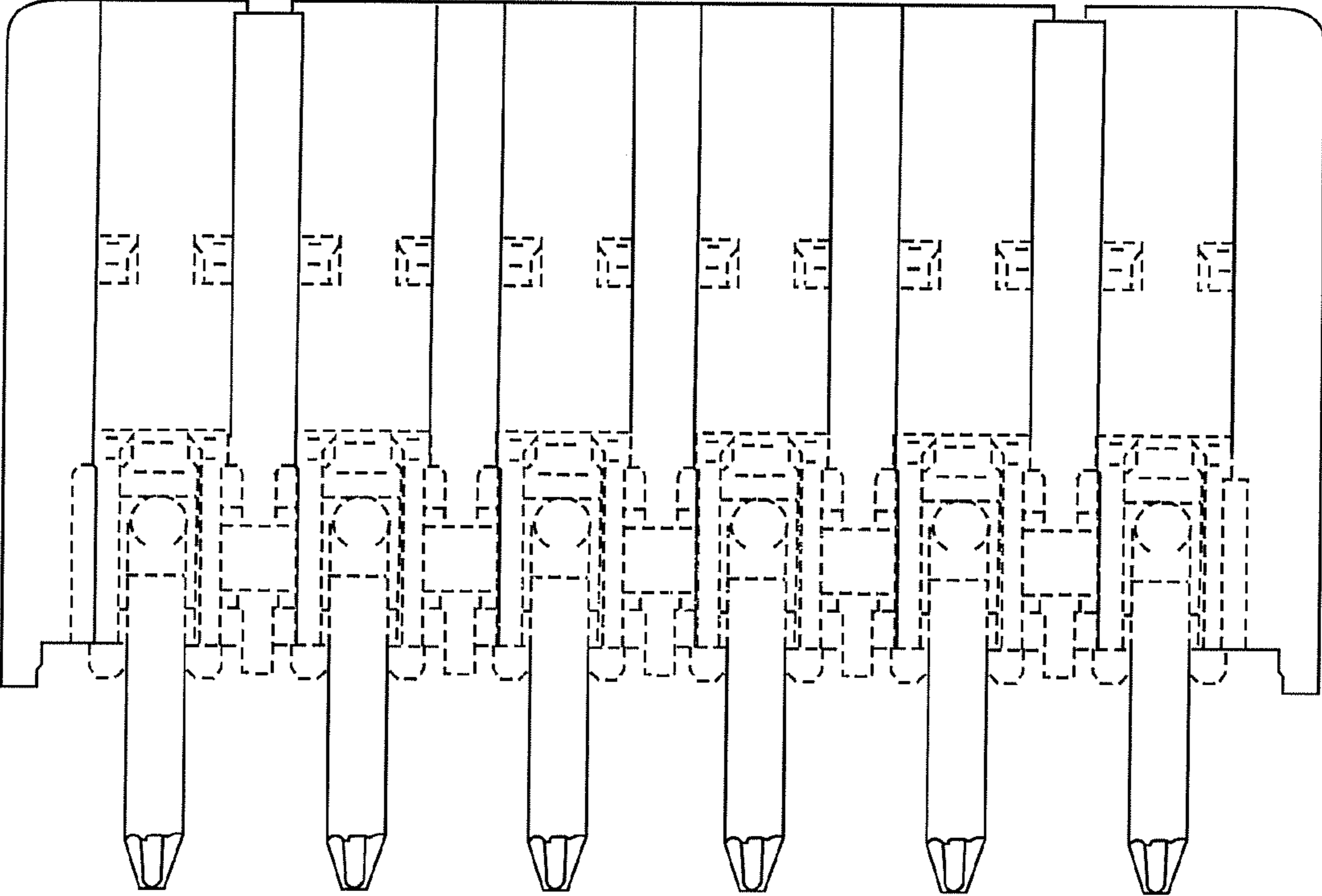


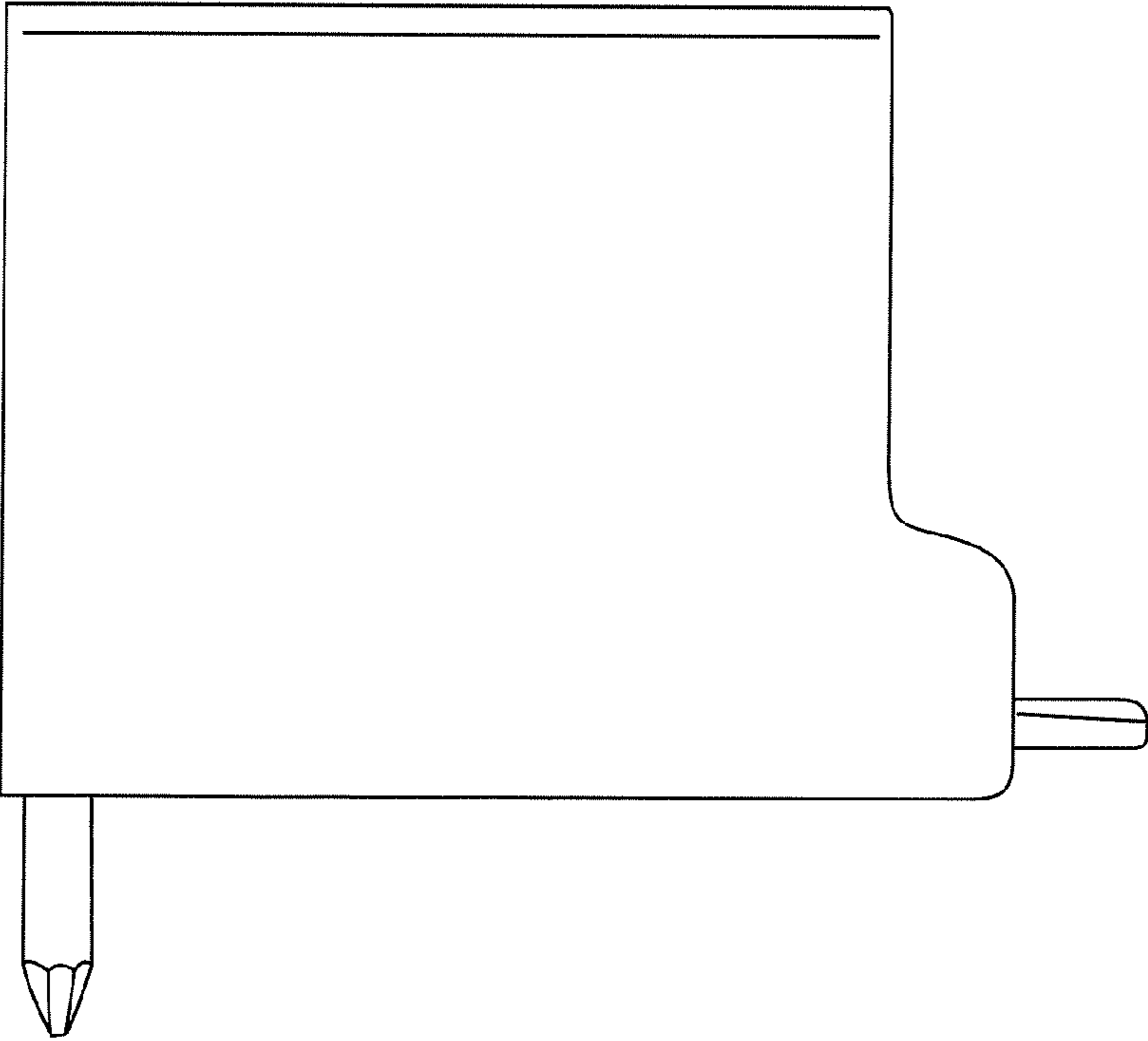
FIGURE 1



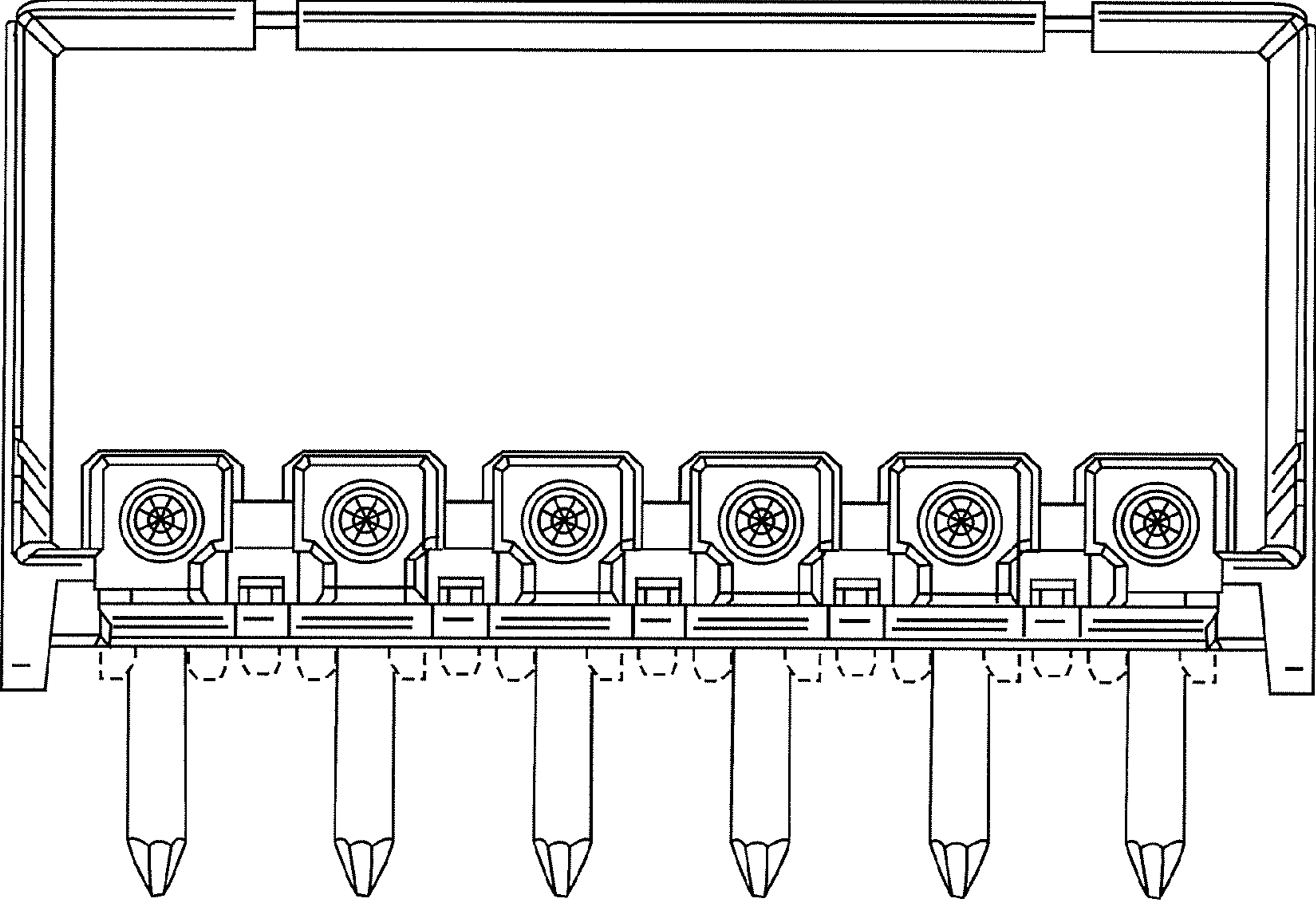
**FIGURE 2**



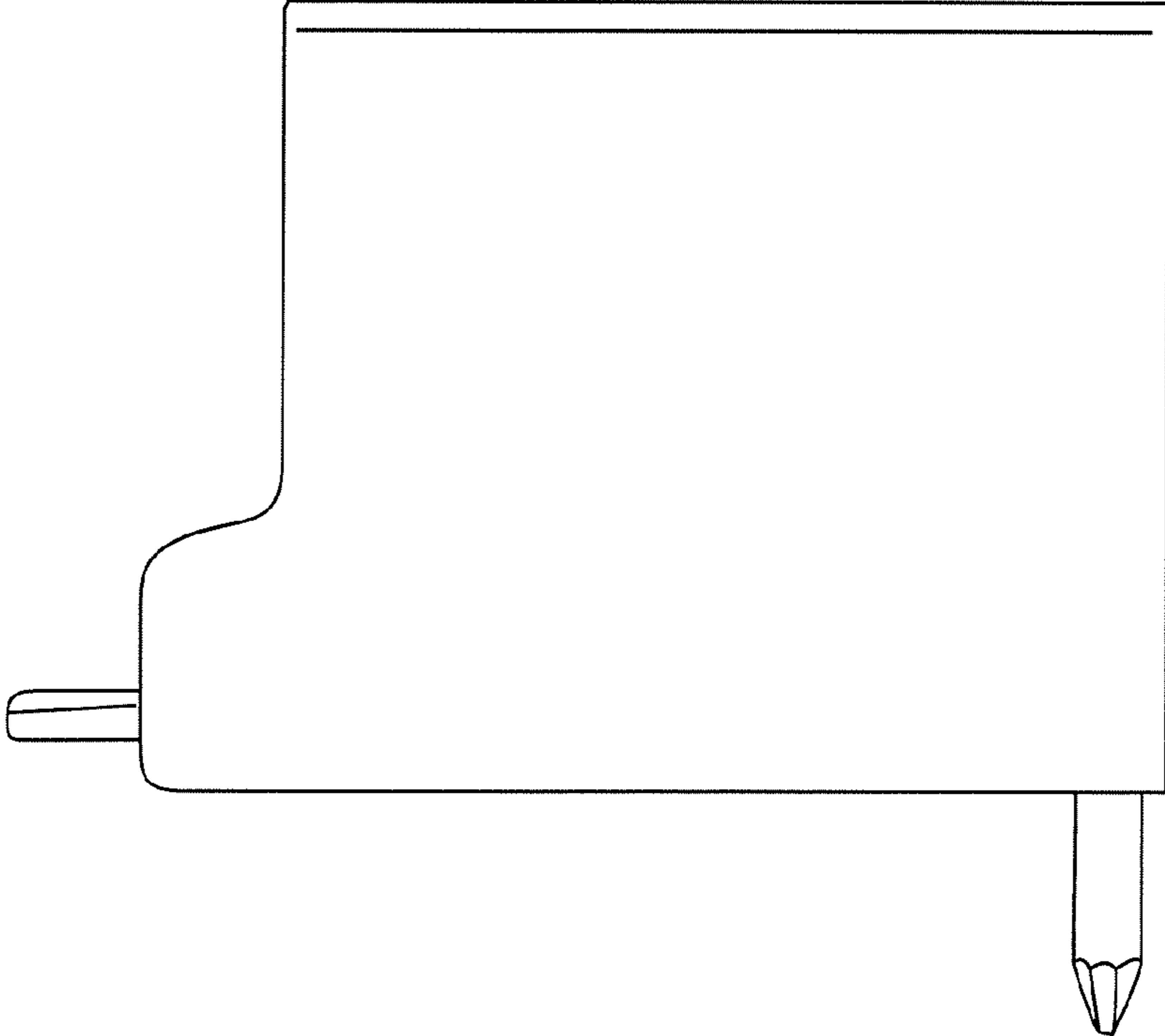
**FIGURE 3**



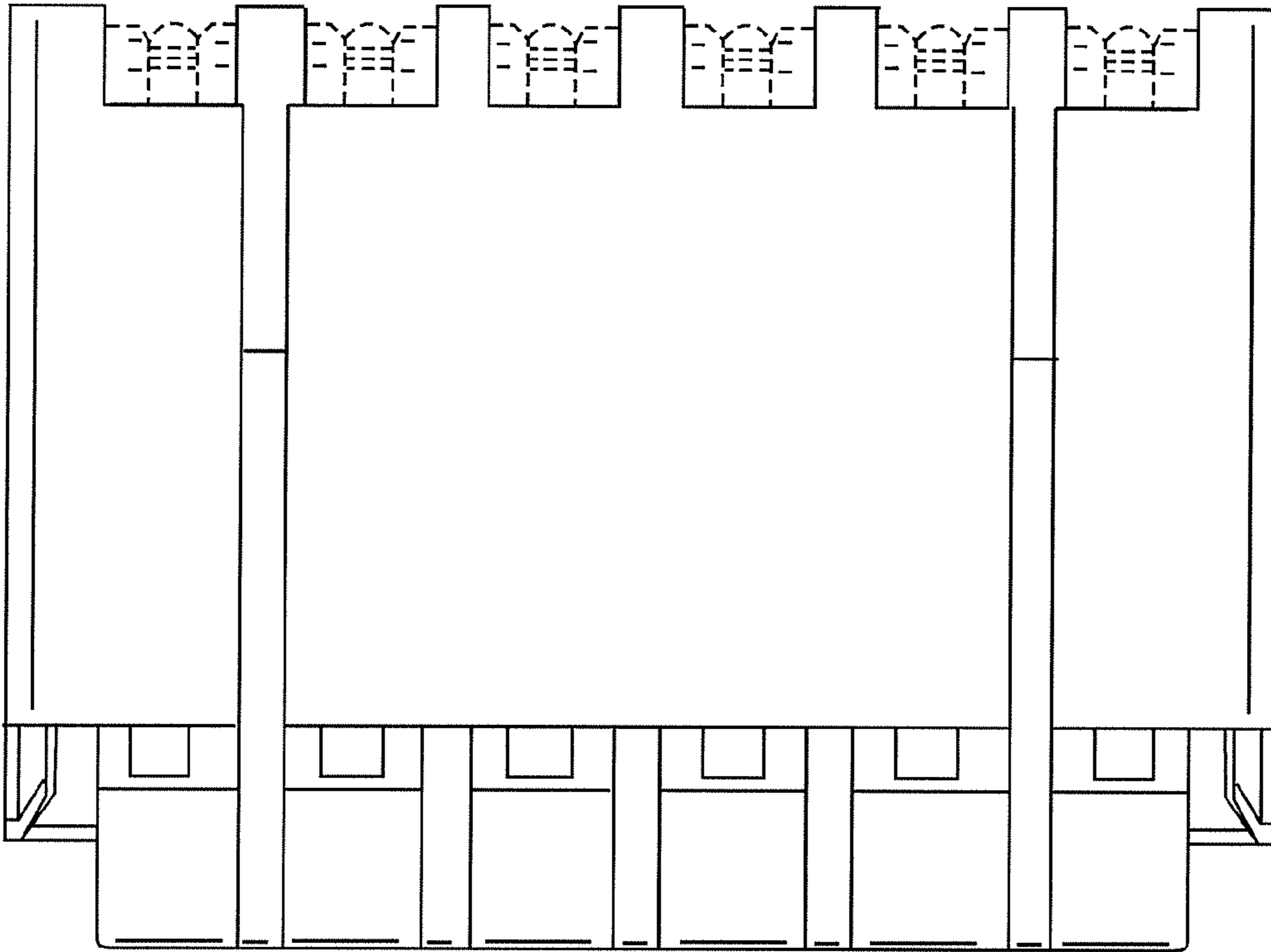
**FIGURE 4**



**FIGURE 5**



**FIGURE 6**



**FIGURE 7**

