



US00D676389S

(12) **United States Design Patent**  
**Worth et al.**

(10) **Patent No.:** **US D676,389 S**

(45) **Date of Patent:** **\*\* Feb. 19, 2013**

(54) **ELECTRONIC CABLE WITH AN ADAPTER**

(75) Inventors: **Cory Worth**, Irvine, CA (US); **Jonathan D. Mesh**, Alameda, CA (US); **Paul D. Osborne**, Mill Valley, CA (US); **Sandro D. Klein**, Irvine, CA (US)

(73) Assignee: **Cisco Technology, Inc.**, San Jose, CA (US)

(\*\*) Term: **14 Years**

(21) Appl. No.: **29/388,002**

(22) Filed: **Mar. 22, 2011**

(51) **LOC (9) Cl.** ..... **13-03**

(52) **U.S. Cl.** ..... **D13/147**

(58) **Field of Classification Search** ..... D13/133,  
D13/146, 147, 153, 154, 184, 199; 439/79,  
439/248, 258, 274, 350, 352, 353, 354, 357,  
439/358, 374, 447, 476.1, 594, 598, 607.01,  
439/607.04, 607.05, 607.17, 607.25, 607.34,  
439/607.41, 607.53, 656, 660, 668, 680,  
439/711, 745, 752

See application file for complete search history.

(56) **References Cited**

U.S. PATENT DOCUMENTS

D416,233 S \* 11/1999 Tsai ..... D13/153  
D416,542 S \* 11/1999 Tsai ..... D13/153  
D442,553 S \* 5/2001 Urban et al. .... D13/153

D450,041 S \* 11/2001 Nakashima et al. .... D13/153  
D613,249 S \* 4/2010 Nagata et al. .... D13/147  
D628,537 S \* 12/2010 Nagata et al. .... D13/147

\* cited by examiner

*Primary Examiner* — Daniel Bui

(74) *Attorney, Agent, or Firm* — Patterson & Sheridan, LLP

(57) **CLAIM**

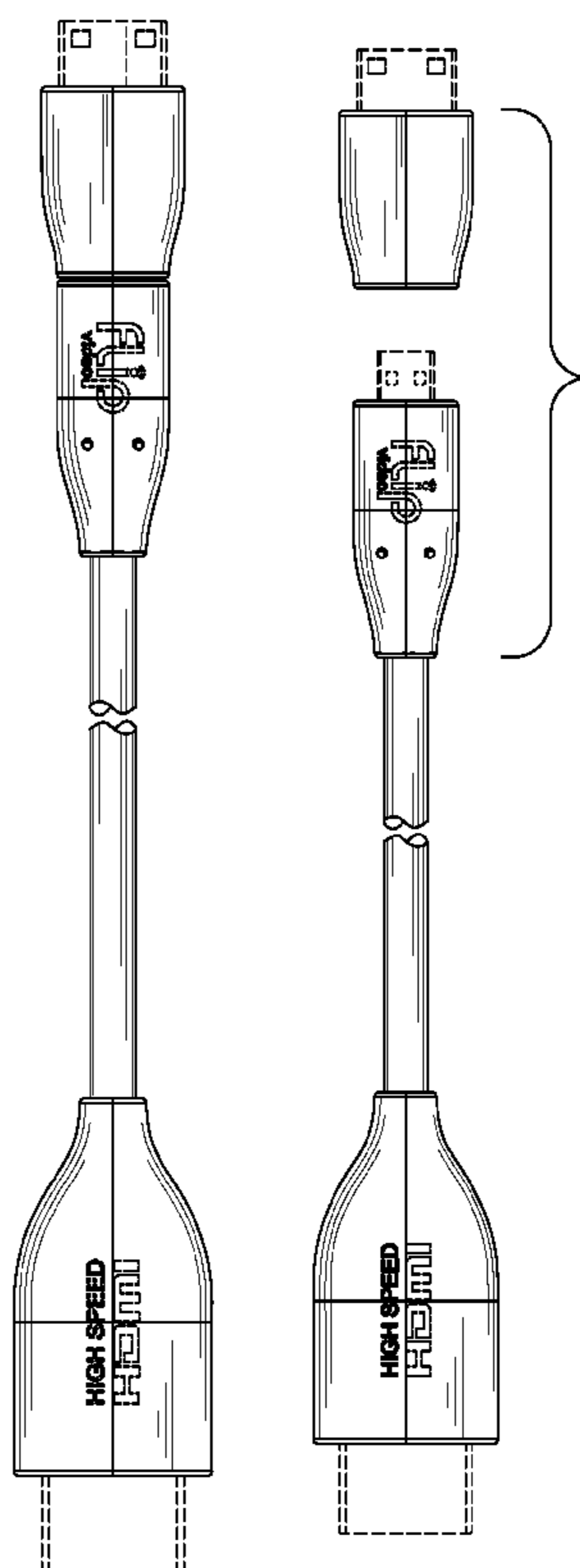
The ornamental design for an electronic cable with an adapter, as shown and described.

**DESCRIPTION**

FIG. 1 is a front elevation view of an electronic cable with an adapter showing our new design;  
FIG. 2 is a rear elevation view thereof;  
FIG. 3 is a left side elevation view thereof;  
FIG. 4 is a right side elevation view thereof;  
FIG. 5 is a top plan view thereof;  
FIG. 6 is a bottom plan view thereof;  
FIG. 7 is a front of a Mini Display Port showing my new design; and,  
FIG. 2 is a front elevation view thereof, with the top portion exploded.

The broken line in the figure drawings is included for the purpose of illustrating environment and forms no part of the claimed design.

**1 Claim, 4 Drawing Sheets**



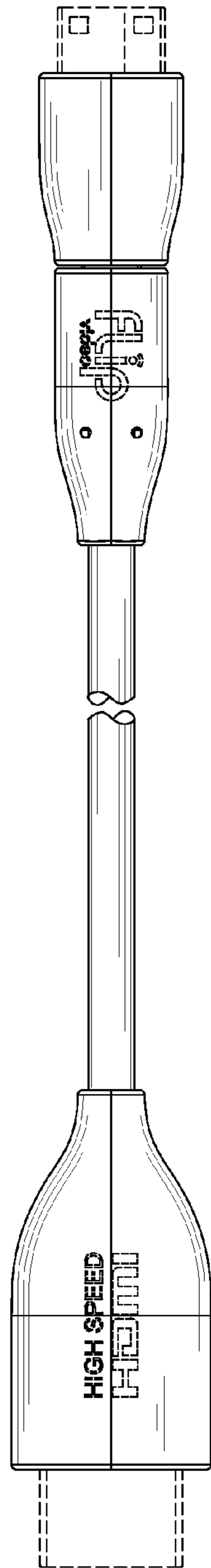


FIG. 1

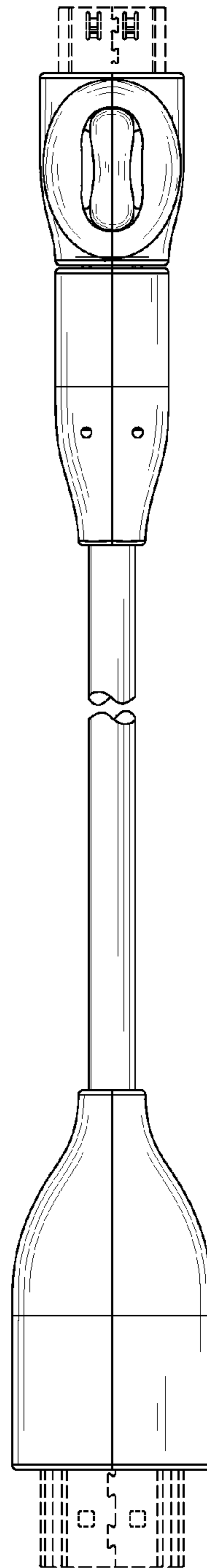


FIG. 2

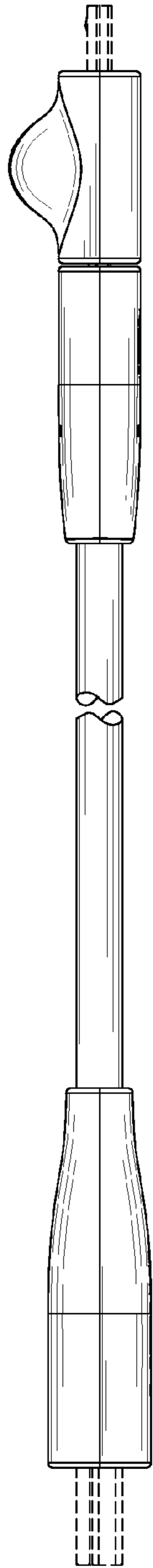


FIG. 3

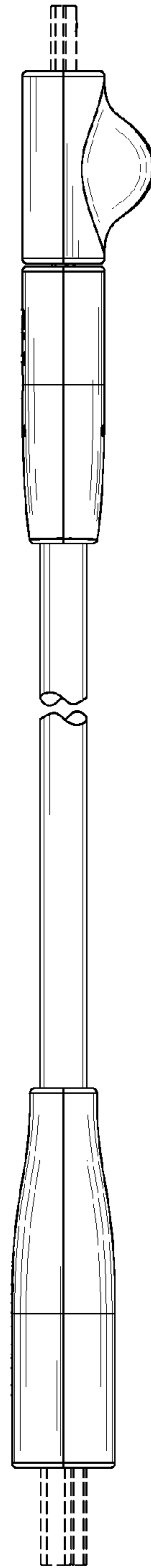


FIG. 4

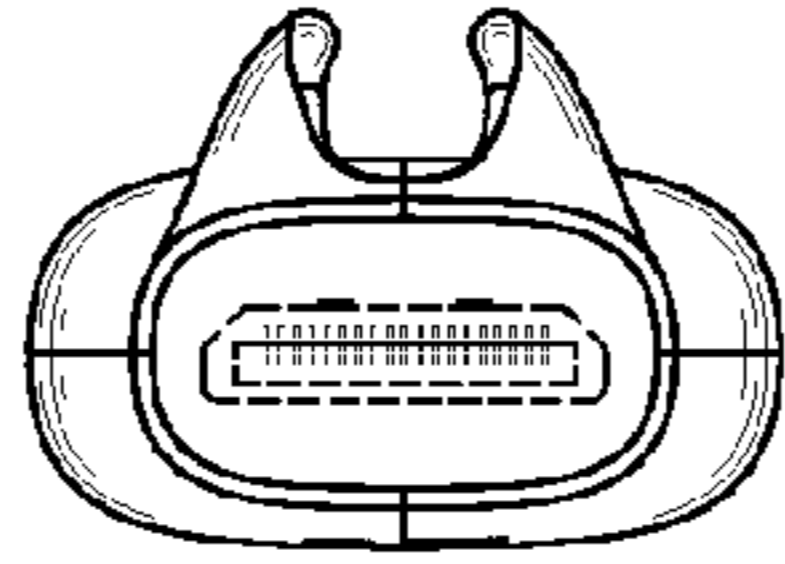


FIG. 5

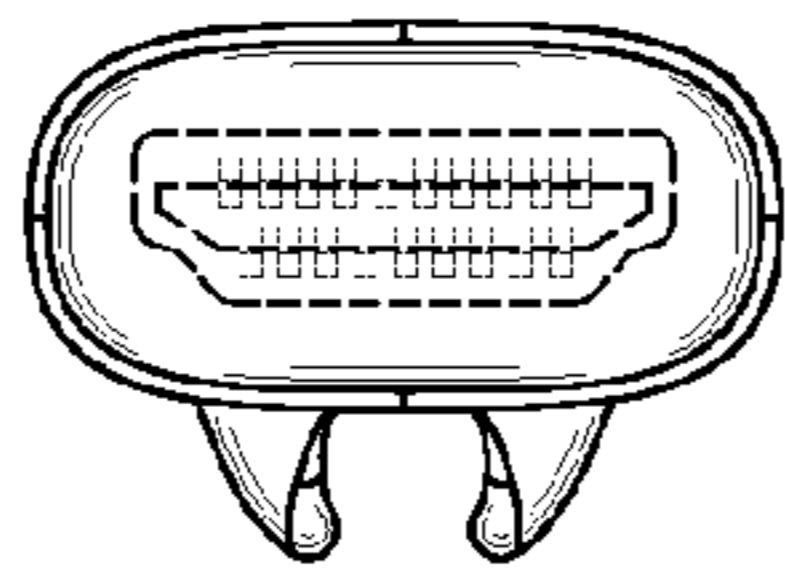


FIG. 6

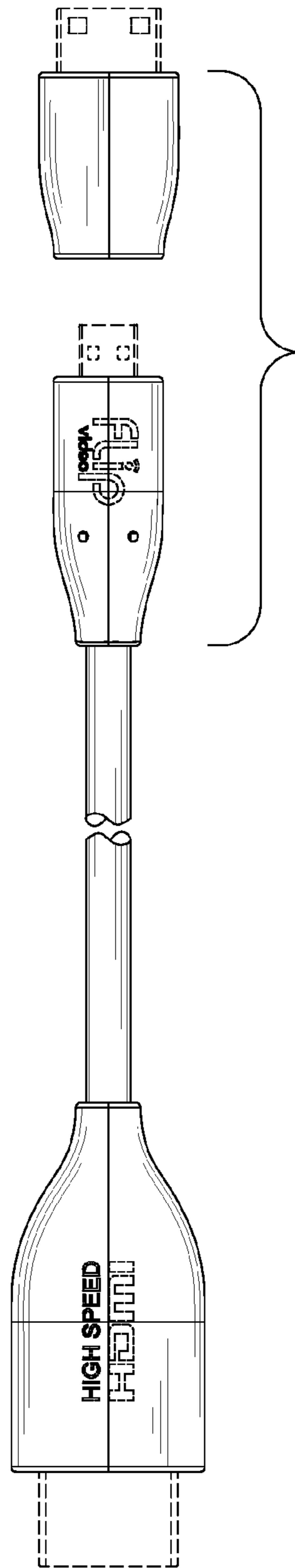


FIG. 7

UNITED STATES PATENT AND TRADEMARK OFFICE  
**CERTIFICATE OF CORRECTION**

PATENT NO. : D676,389 S  
APPLICATION NO. : 29/388002  
DATED : February 19, 2013  
INVENTOR(S) : Worth et al.

Page 1 of 1

It is certified that error appears in the above-identified patent and that said Letters Patent is hereby corrected as shown below:

**Title Page, Description:**

Delete "Fig. 2 is a front elevation view thereof, with the top portion exploded." and insert  
--Fig. 7 is a front elevation view thereof, with the top portion exploded.-- therefor.

Signed and Sealed this  
Twenty-fifth Day of June, 2013



Teresa Stanek Rea  
*Acting Director of the United States Patent and Trademark Office*