



US00D676388S

(12) **United States Design Patent**
Müller

(10) **Patent No.:** **US D676,388 S**

(45) **Date of Patent:** **** Feb. 19, 2013**

(54) **CONNECTING PLUG**

(75) Inventor: **Gerwin Müller**, Kiel (DE)

(73) Assignee: **Phoenix Contact GmbH & Co. KG**,
Blomberg (DE)

(**) Term: **14 Years**

(21) Appl. No.: **29/381,224**

(22) Filed: **Dec. 16, 2010**

(30) **Foreign Application Priority Data**

Jun. 18, 2010 (DE) 40 2010 004 014

(51) **LOC (9) Cl.** **13-03**

(52) **U.S. Cl.** **D13/147**

(58) **Field of Classification Search** D13/133,
D13/147, 154, 184, 199; 174/67; 220/242;
439/180, 246, 252, 278, 374, 378, 379, 380,
439/527, 529, 530, 533, 680, 892, 894

See application file for complete search history.

(56) **References Cited**

U.S. PATENT DOCUMENTS

D416,862 S * 11/1999 Chiou D13/146
D418,110 S * 12/1999 Tennessen D13/146
D466,083 S * 11/2002 Zhang et al. D13/147

D601,092 S * 9/2009 Rupp et al. D13/147
D601,504 S * 10/2009 Rupp et al. D13/147
D601,964 S * 10/2009 Rupp et al. D13/147
D614,138 S * 4/2010 Blixt D13/147
D649,938 S * 12/2011 Erickson et al. D13/147

* cited by examiner

Primary Examiner — Daniel Bui

(74) *Attorney, Agent, or Firm* — Nath, Goldberg & Meyer;
Jerald L. Meyer; Scott C. Langford

(57) **CLAIM**

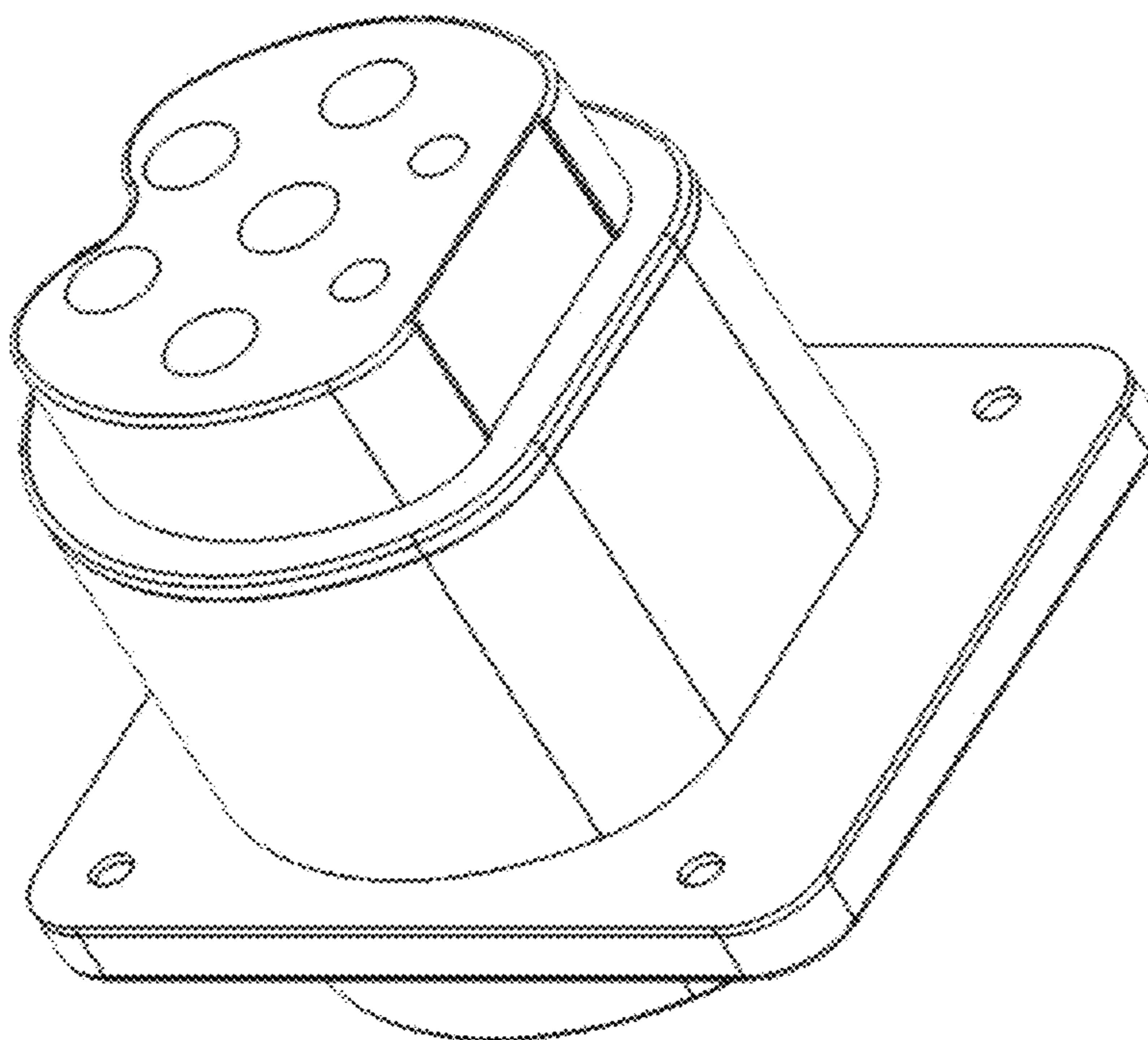
The ornamental design for a connecting plug, as shown and described.

DESCRIPTION

FIG. 1 is a front, top and right side perspective view of a connecting plug showing my new design; FIG. 2 is a front elevation view thereof; FIG. 3 is a rear elevation view thereof; FIG. 4 is a left side elevation view thereof; FIG. 5 is a right side elevation view thereof; FIG. 6 is a top plan view thereof; and, FIG. 7 is a bottom plan view thereof.

The features shown by broken lines are included to show unclaimed subject matter and form no part of the claimed design.

1 Claim, 7 Drawing Sheets



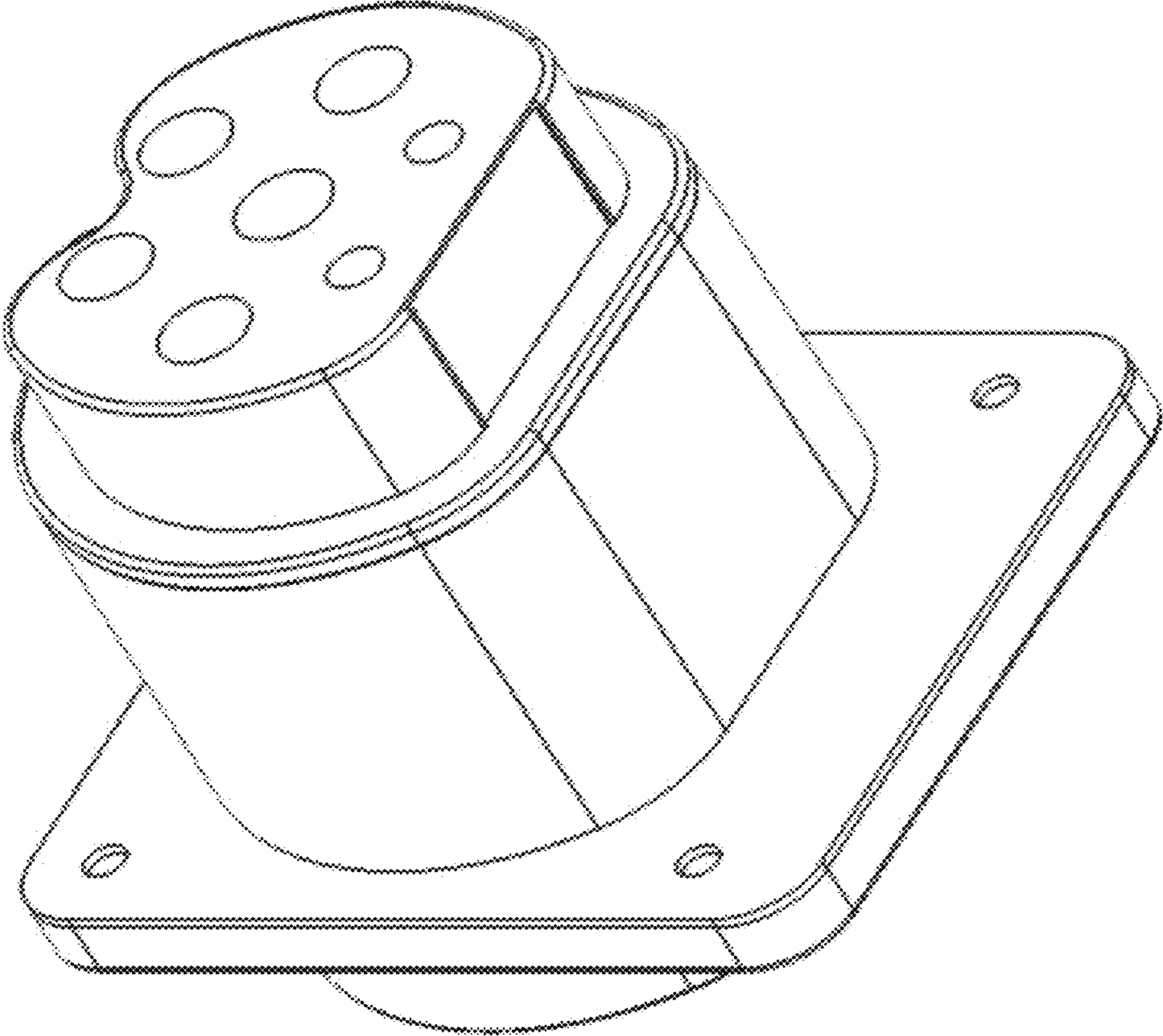


FIG. 1

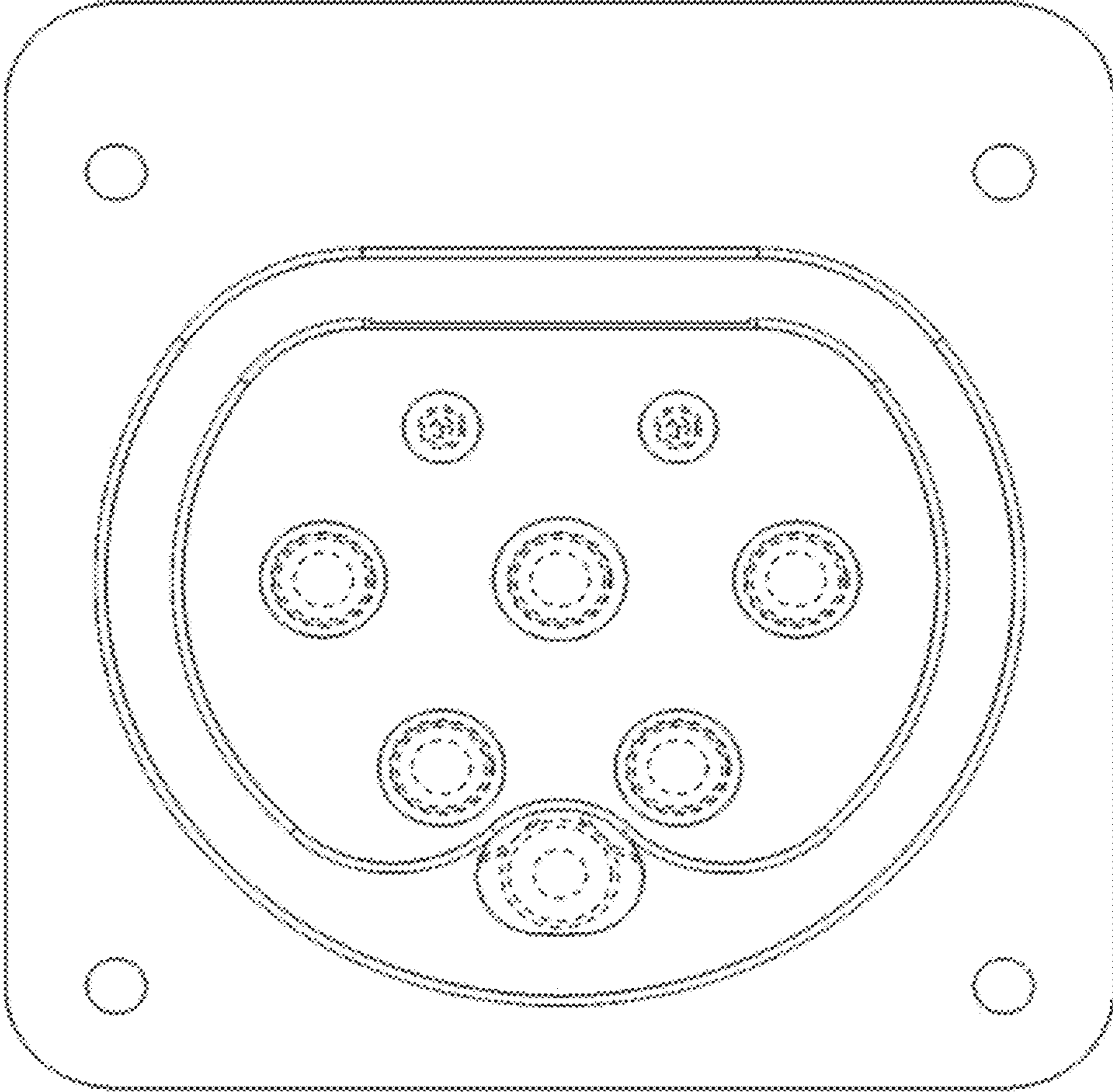


FIG. 2

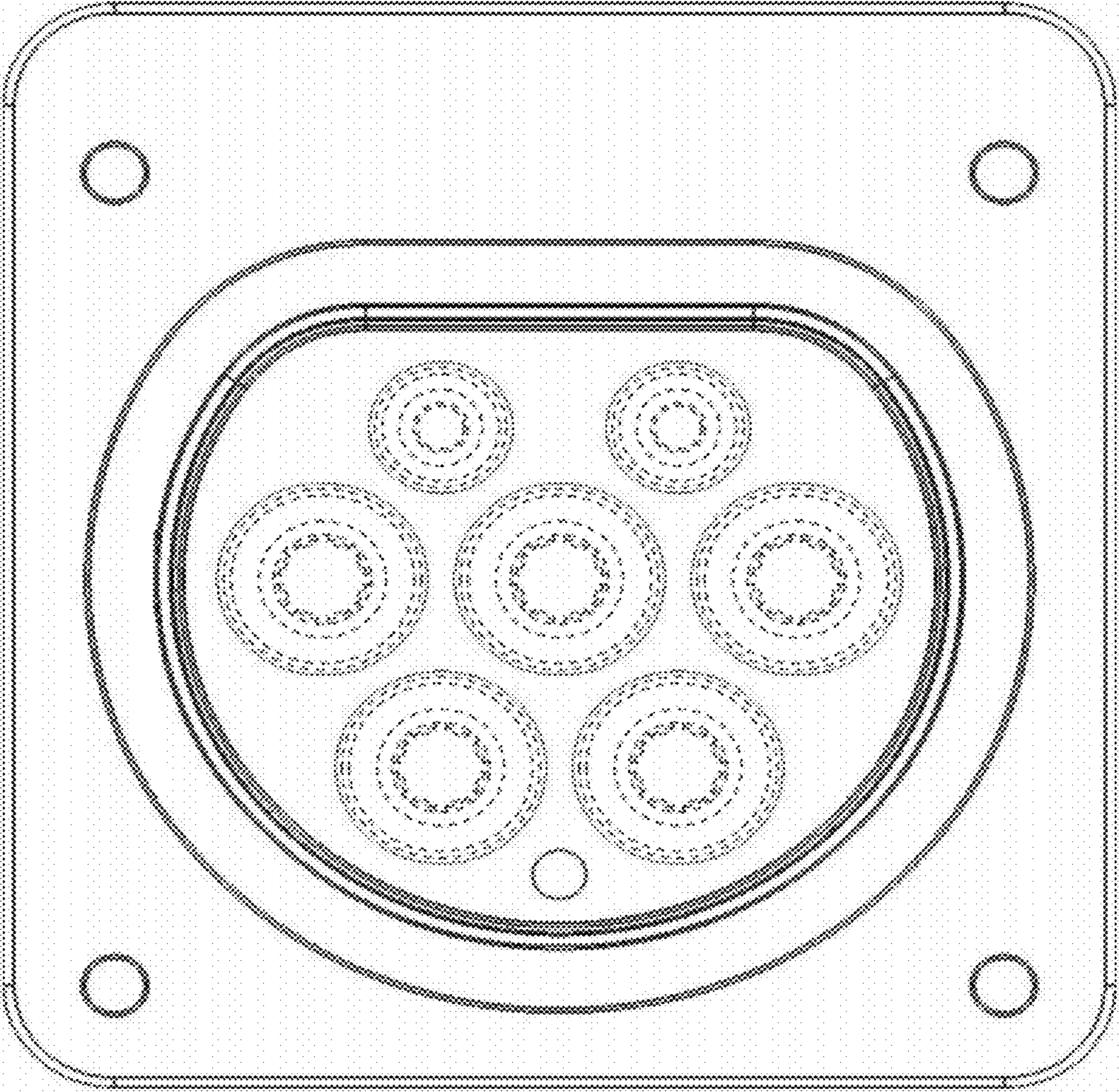


FIG. 3

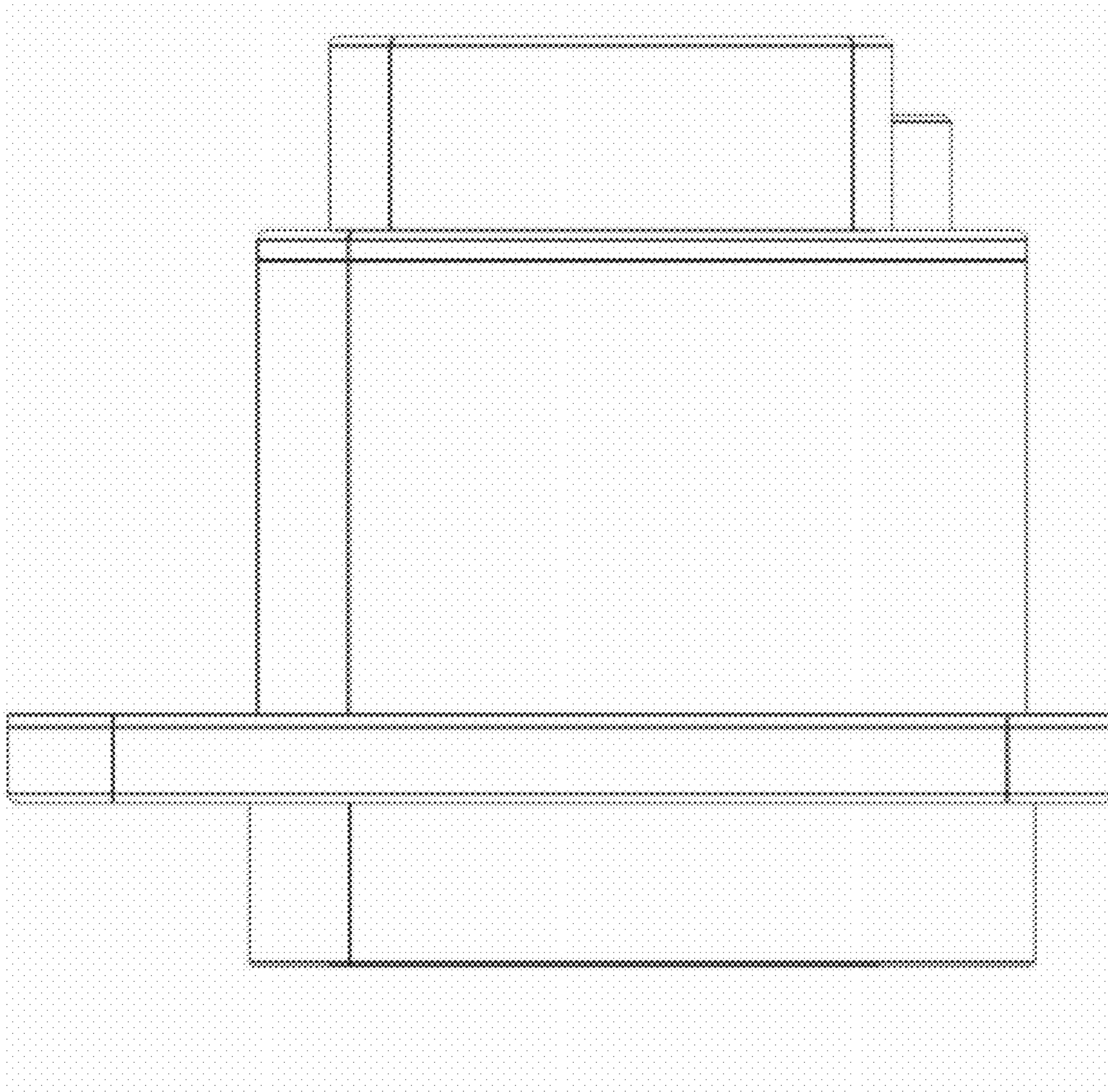


FIG. 4

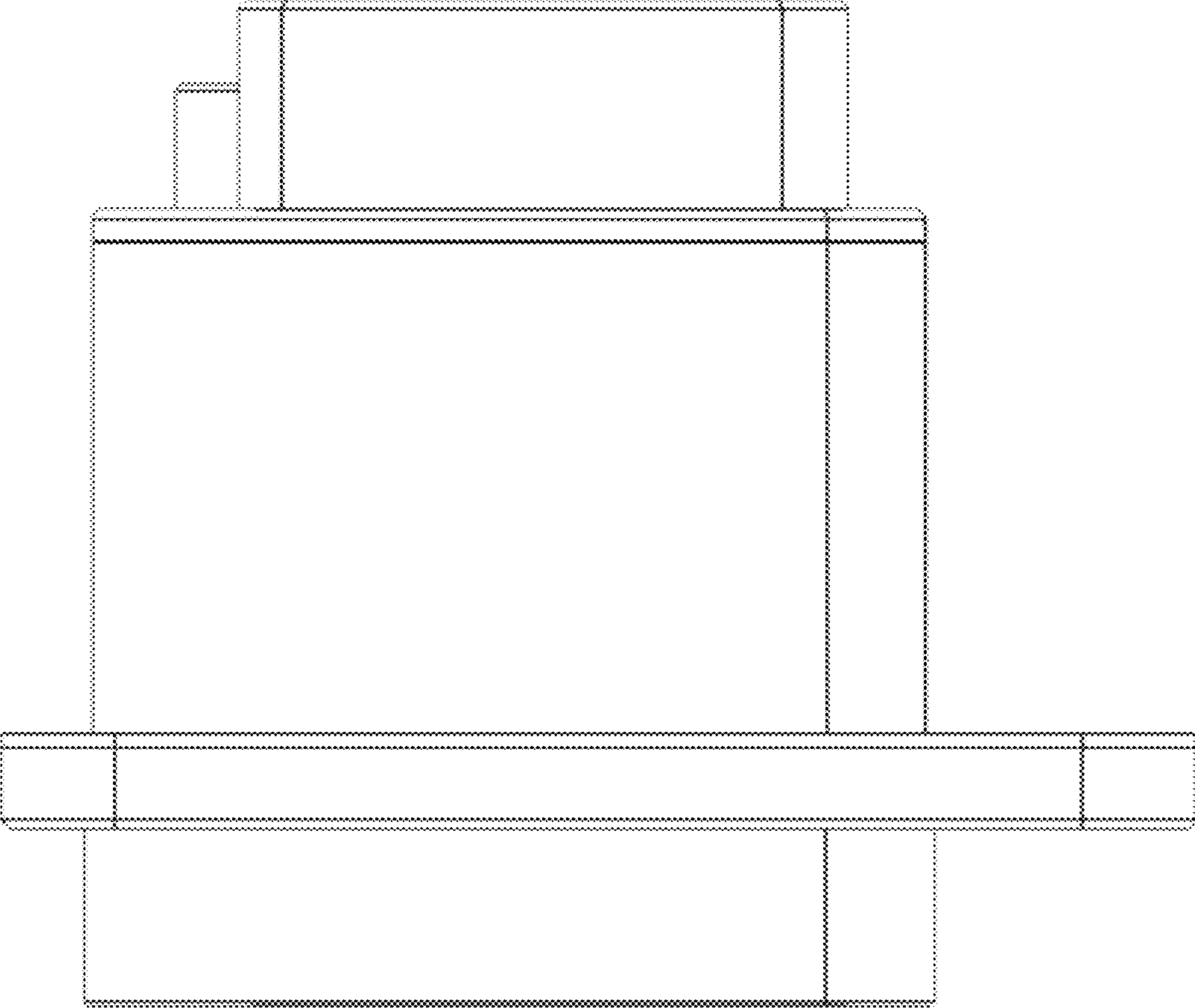


FIG. 5

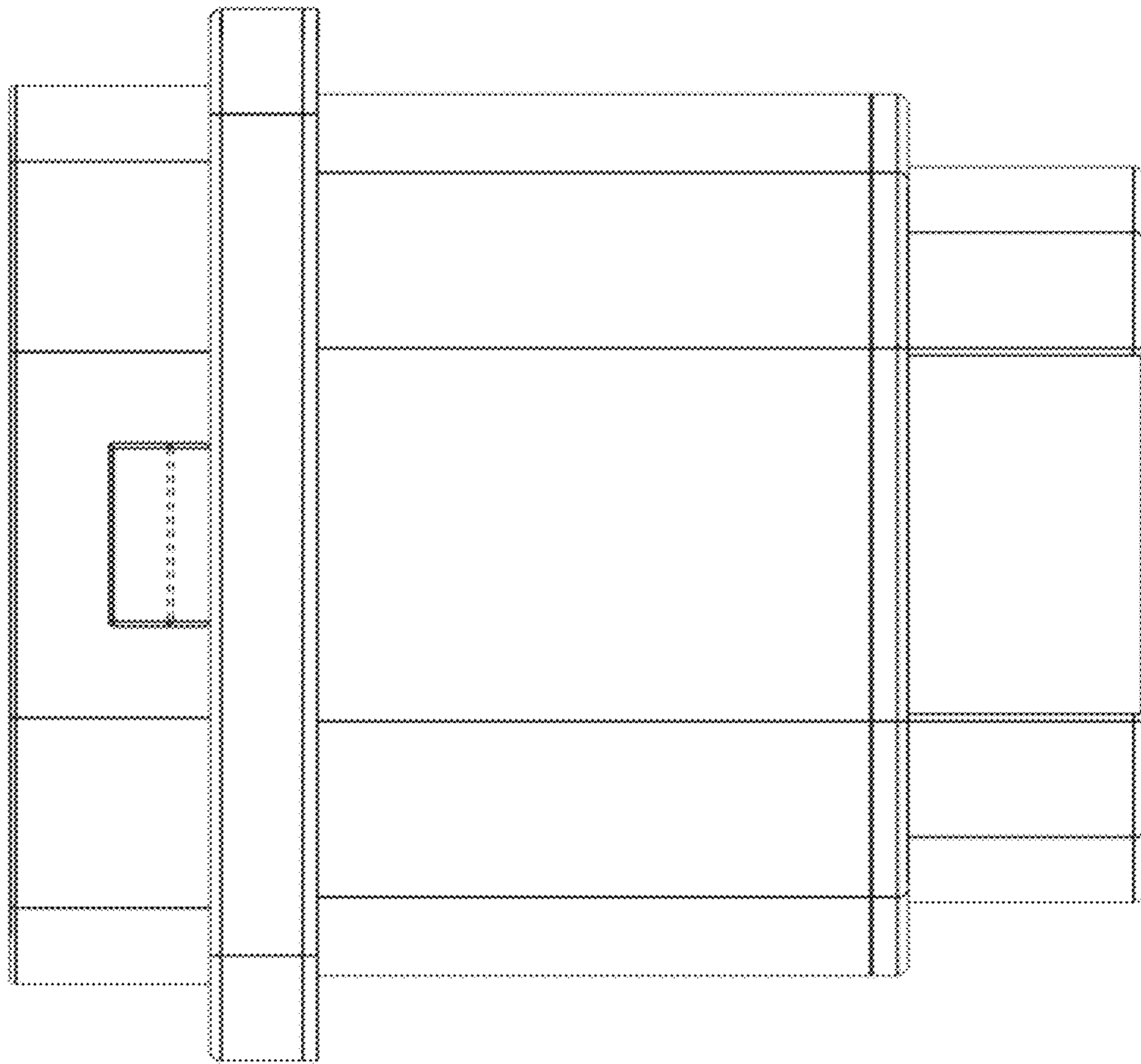


FIG. 6

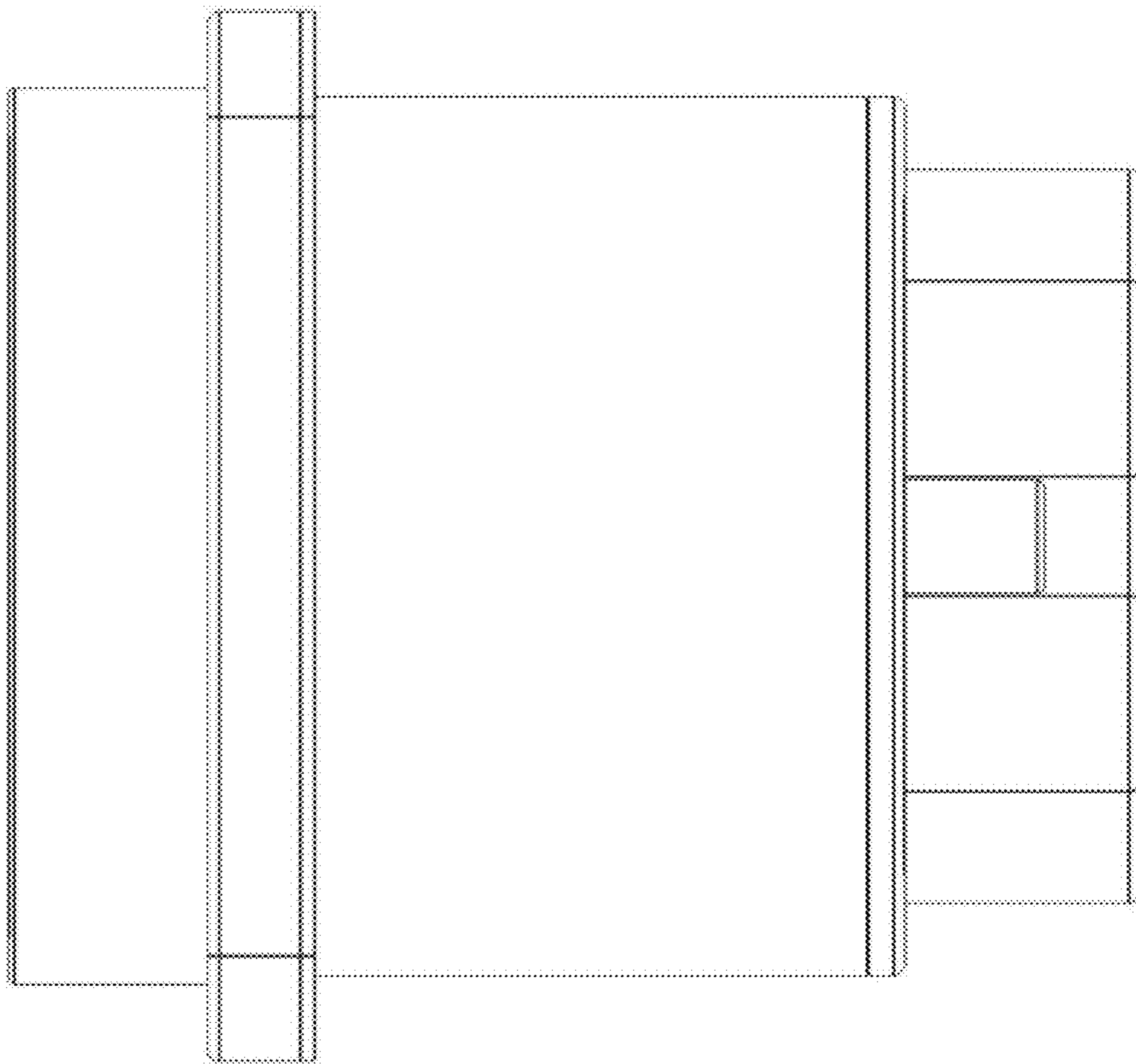


FIG. 7

UNITED STATES PATENT AND TRADEMARK OFFICE
CERTIFICATE OF CORRECTION

PATENT NO. : D676,388 S
APPLICATION NO. : 29/381224
DATED : February 19, 2013
INVENTOR(S) : Muller et al.

Page 1 of 1

It is certified that error appears in the above-identified patent and that said Letters Patent is hereby corrected as shown below:

Title Page, Item (12) "Muller" should read -- Muller, et al. --.

Title Page, Item (75) Inventor is corrected to read:

-- Gerwin Muller, Kiel (DE);
Weining Wu, Nanjing (CN);
Jinda Zhu, Nanjing (CN);
Feng Ni, Nanjing (CN);
Hao Zhang, Nanjing (CN) --.

Signed and Sealed this
Eighth Day of March, 2016



Michelle K. Lee
Director of the United States Patent and Trademark Office