



US00D676387S

(12) **United States Design Patent**  
**Kennedy et al.**

(10) **Patent No.:** **US D676,387 S**

(45) **Date of Patent:** **\*\* Feb. 19, 2013**

(54) **ADAPTER**

(75) Inventors: **John Kennedy**, Lowell, MA (US);  
**Douglas Sjostrom**, Tewksbury, MA  
(US); **Dennis Arsenault**, Ashland, MA  
(US)

(73) Assignee: **Viking Systems, Inc.**, Westborough, MA  
(US)

(\*\*) Term: **14 Years**

(21) Appl. No.: **29/376,073**

(22) Filed: **Oct. 1, 2010**

(51) **LOC (9) Cl.** ..... **13-03**

(52) **U.S. Cl.** ..... **D13/137.2**

(58) **Field of Classification Search** ..... D13/184,  
D13/156, 155, 154, 153, 152, 147, 139.1-139.4,  
D13/137.1-137.4, 133; 600/166; 439/675,  
439/668, 623, 578, 502, 106; 385/77; 174/151,  
174/138 F, 113 R

See application file for complete search history.

(56) **References Cited**

U.S. PATENT DOCUMENTS

6,923,688 B1 \* 8/2005 Burson et al. .... 439/675  
D523,811 S \* 6/2006 Pinson ..... D13/137.2  
2011/0295071 A1 \* 12/2011 Sjostrom et al. .... 600/166

\* cited by examiner

*Primary Examiner* — Susan Bennett Hattan

(74) *Attorney, Agent, or Firm* — Pandiscio & Pandiscio

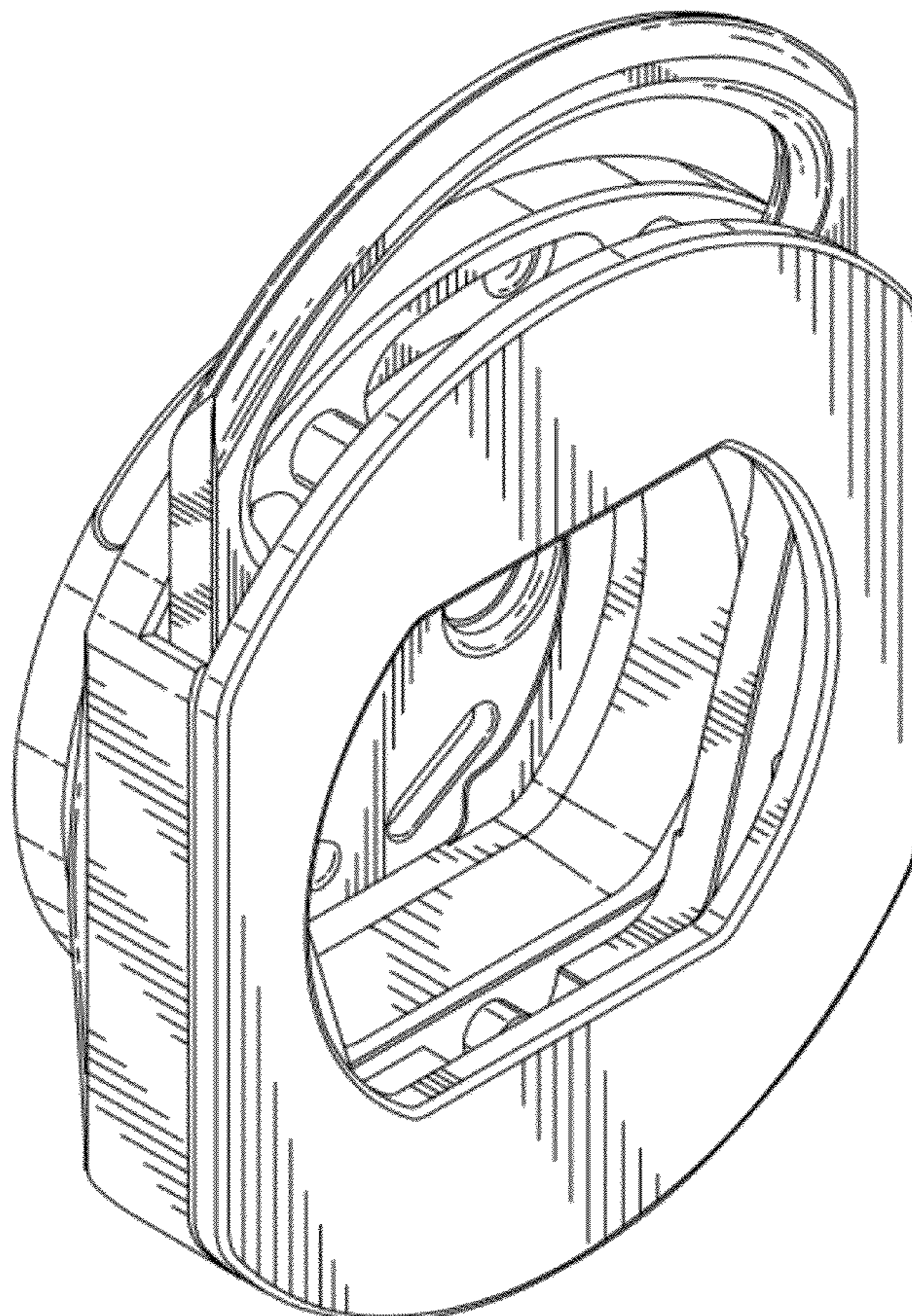
(57) **CLAIM**

The ornamental design for an adapter, as shown and described.

**DESCRIPTION**

FIG. 1 is a front perspective view of the adapter;  
FIG. 2 is a rear perspective view of the adapter;  
FIG. 3 is a front view of the adapter;  
FIG. 4 is a rear view of the adapter;  
FIG. 5 is a top end view of the adapter;  
FIG. 6 is a bottom end view of the adapter;  
FIG. 7 is a left side view, in elevation, of the adapter; and,  
FIG. 8 is a right side view, in elevation, of the adapter.

**1 Claim, 6 Drawing Sheets**





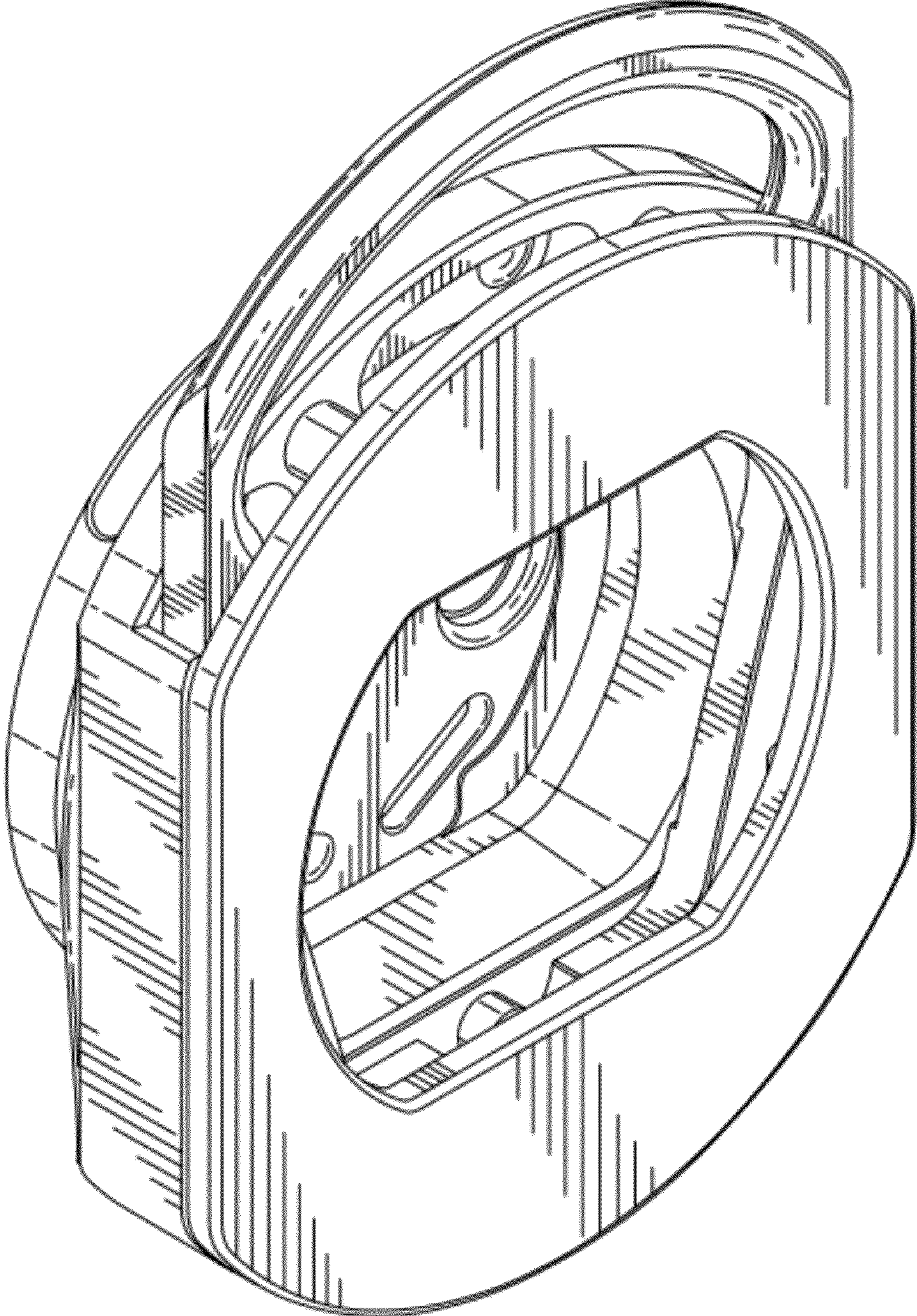


FIG. 1



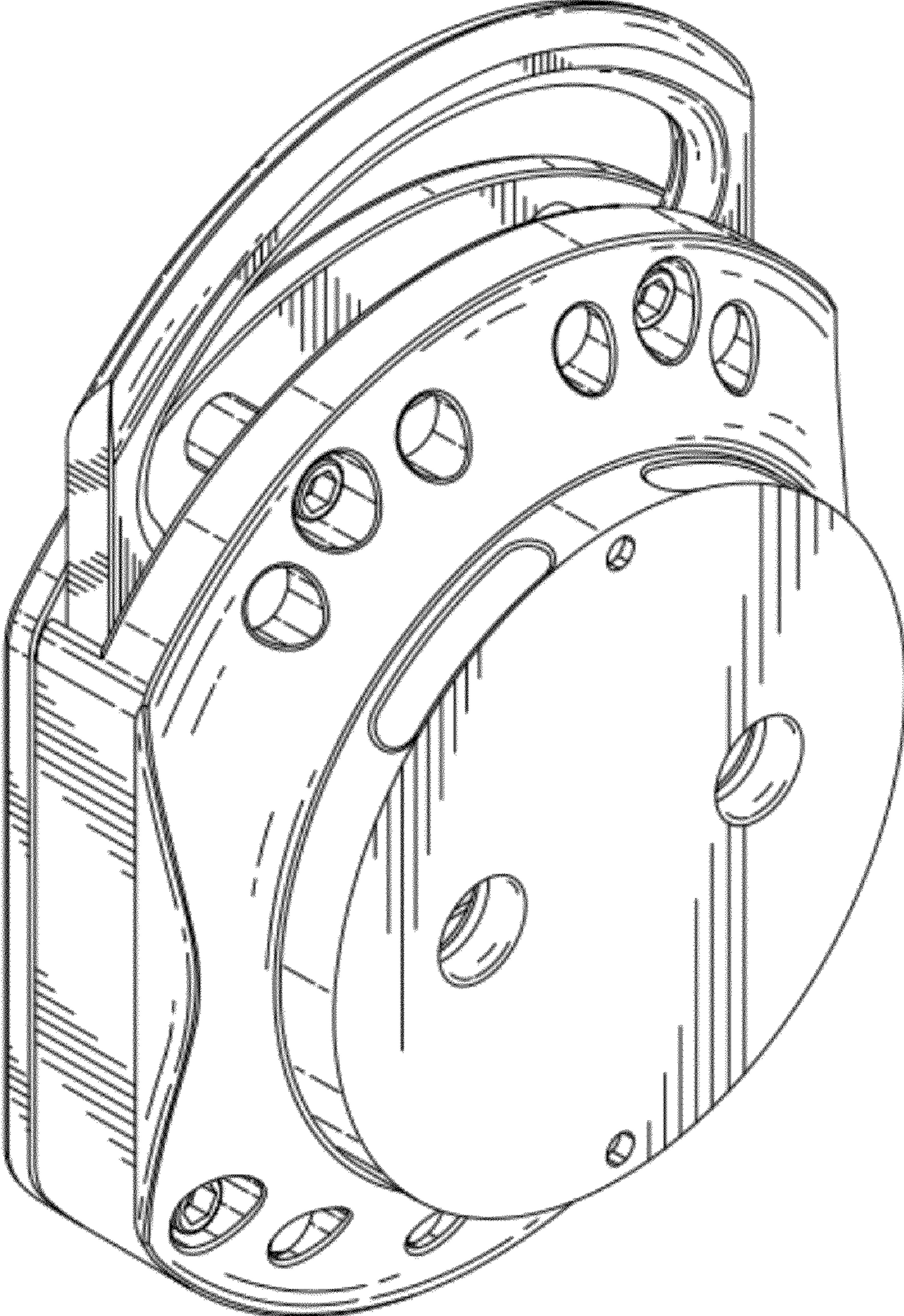


FIG. 2



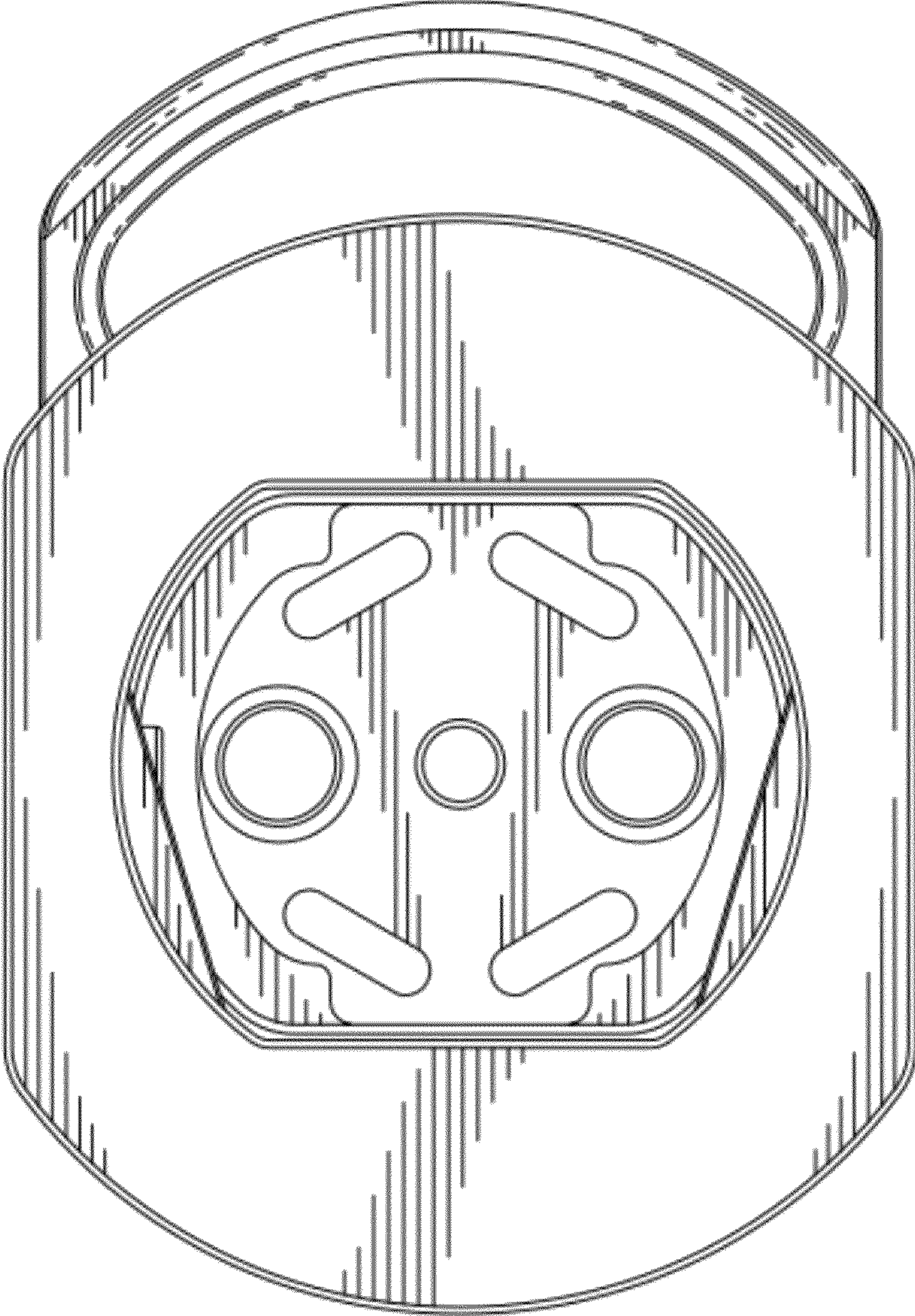


FIG. 3



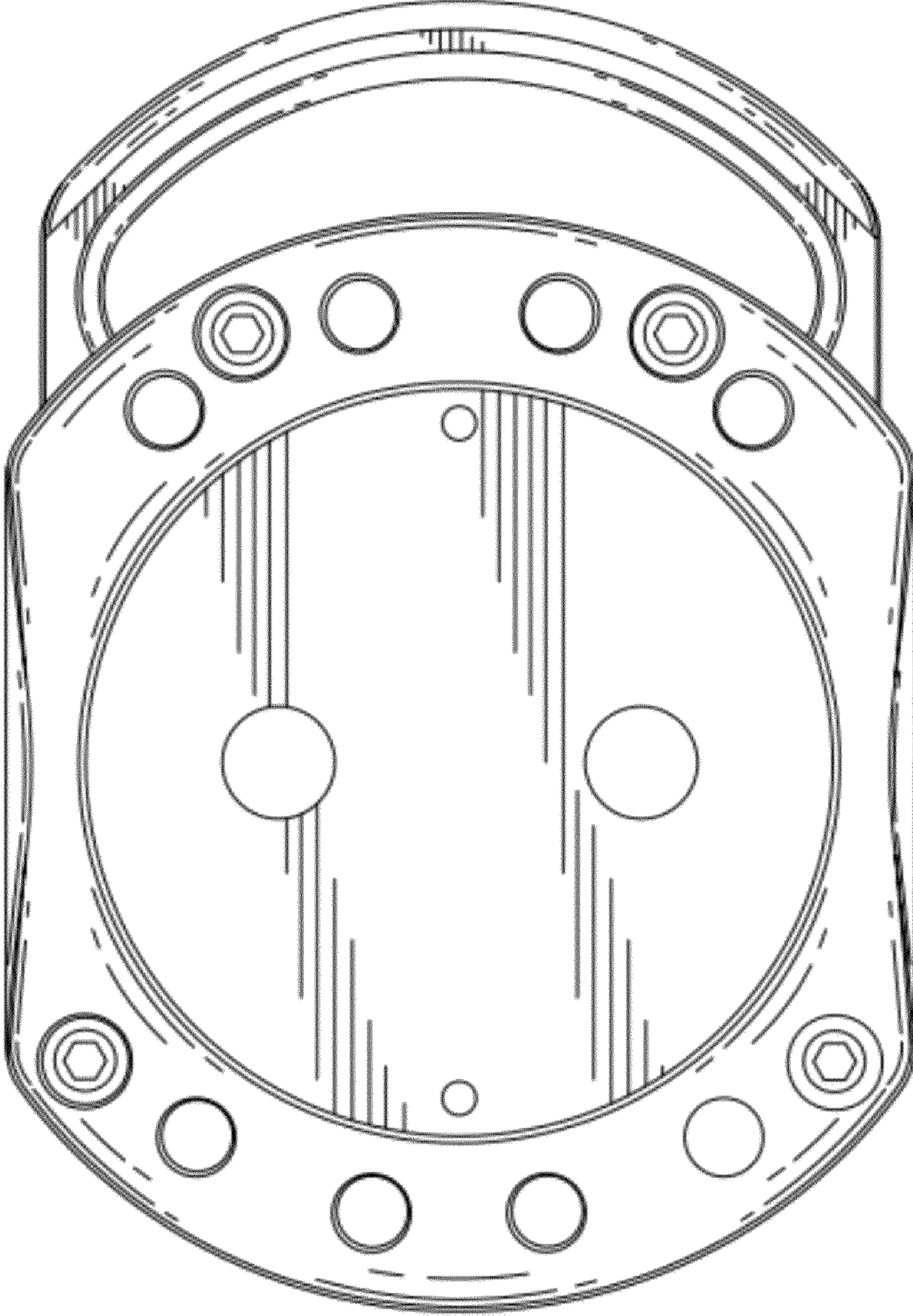


FIG. 4



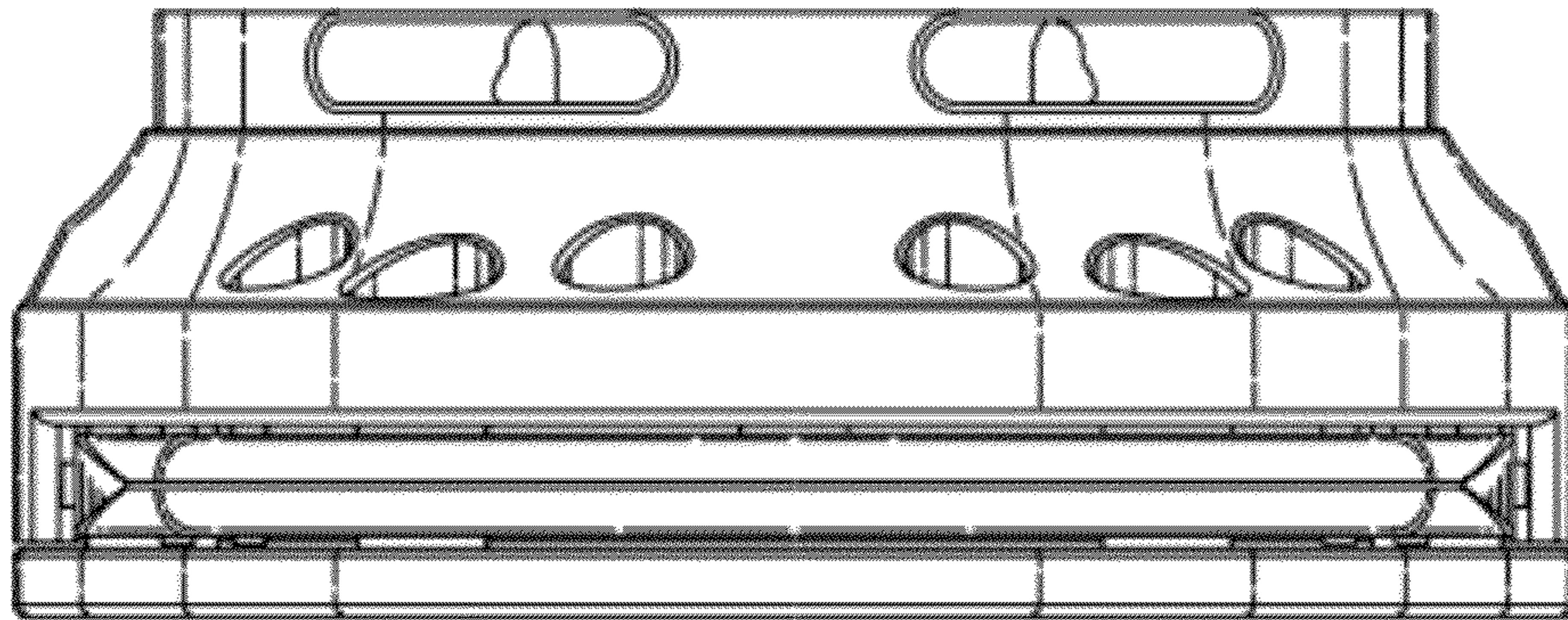


FIG. 5

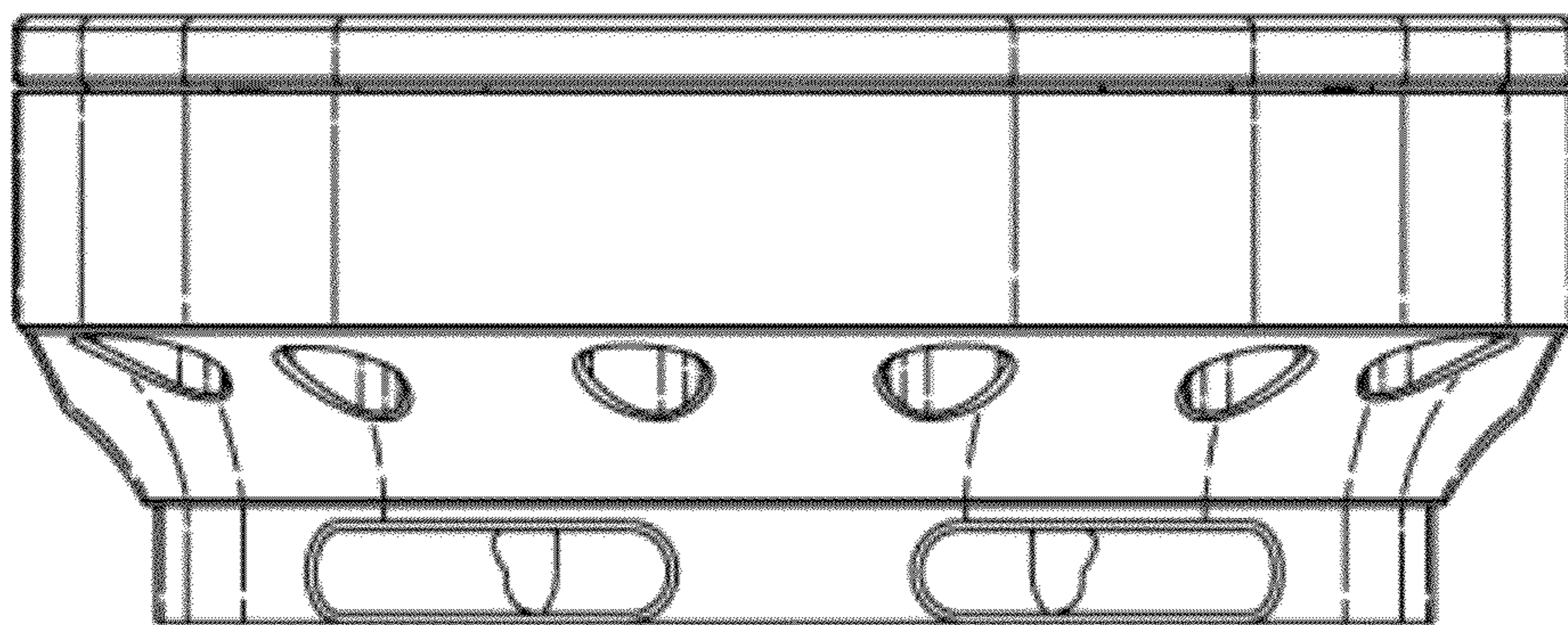


FIG. 6

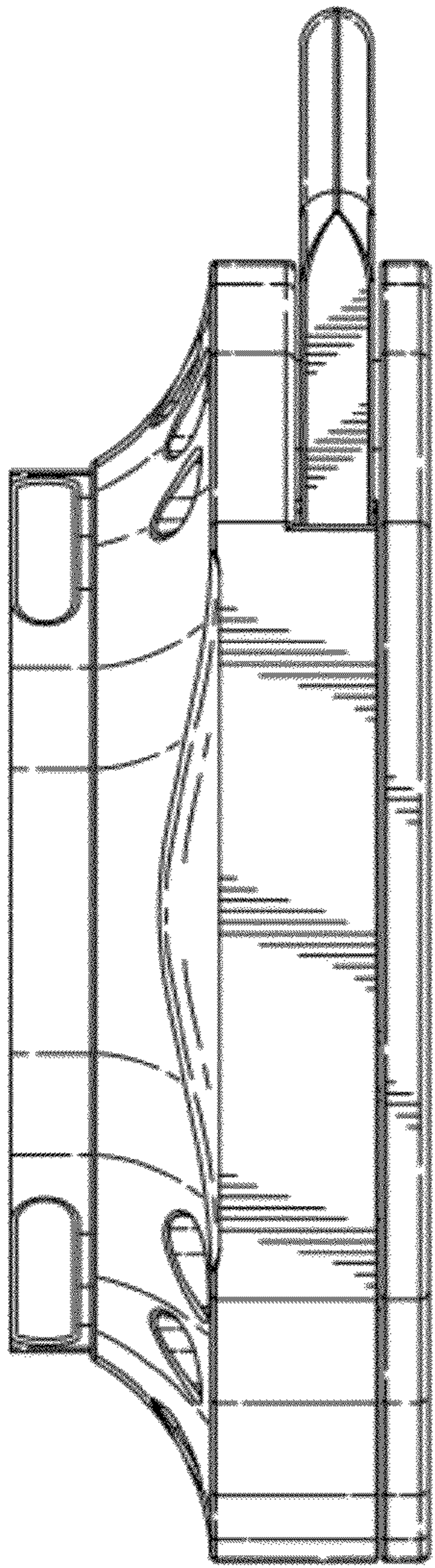


FIG. 7

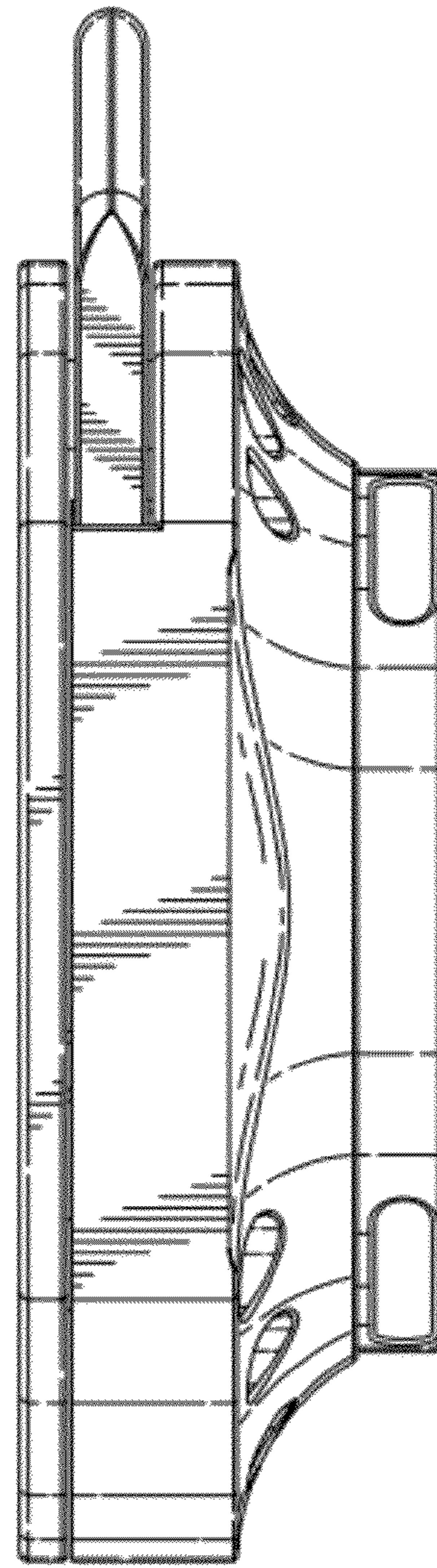


FIG. 8