



US00D676384S

(12) **United States Design Patent**
Yang et al.

(10) **Patent No.:** **US D676,384 S**

(45) **Date of Patent:** **** Feb. 19, 2013**

(54) **OPTICAL FIBER CONNECTOR**

(75) Inventors: **Guo Yang**, Shenzhen (CN); **Qiyue Wang**, Shenzhen (CN); **Lin Chen**, Shenzhen (CN)

(73) Assignee: **Sunsea Telecommunications Co., Ltd.**, Shenzhen (CN)

(**) Term: **14 Years**

(21) Appl. No.: **29/413,592**

(22) Filed: **Feb. 17, 2012**

(30) **Foreign Application Priority Data**

Jan. 4, 2012 (CN) 2012 3 0000764

(51) **LOC (9) Cl.** **13-03**

(52) **U.S. Cl.** **D13/133**

(58) **Field of Classification Search** D13/133,
D13/147, 154, 184, 199; 385/55, 56, 59,
385/76, 77, 78, 88, 89

See application file for complete search history.

(56) **References Cited**

U.S. PATENT DOCUMENTS

5,293,581	A *	3/1994	DiMarco	385/76
5,481,634	A *	1/1996	Anderson et al.	385/76
D434,376	S *	11/2000	Connelly	D13/133
D481,680	S *	11/2003	Cheng et al.	D13/133
6,918,704	B2 *	7/2005	Marrs et al.	385/78
D523,396	S *	6/2006	Shiraishi et al.	D13/133
D528,505	S *	9/2006	Caveney et al.	D13/133

D603,796	S *	11/2009	Sticker et al.	D13/147
D619,100	S *	7/2010	Larson et al.	D13/154
8,070,367	B2 *	12/2011	Winberg et al.	385/81
2005/0213897	A1 *	9/2005	Palmer et al.	385/95

* cited by examiner

Primary Examiner — Daniel Bui

(74) *Attorney, Agent, or Firm* — Caesar, Rivise, Bernstein, Cohen & Pokotilow, Ltd.

(57) **CLAIM**

The ornamental design for an optical fiber connector, as shown and described.

DESCRIPTION

FIG. 1 is a front perspective view of an optical fiber connector showing our new design;
FIG. 2 is a rear perspective view thereof;
FIG. 3 is another rear perspective view thereof;
FIG. 4 is a front view thereof;
FIG. 5 is a rear view thereof;
FIG. 6 is a left side view thereof;
FIG. 7 is a right side view thereof;
FIG. 8 is a top view thereof; and,
FIG. 9 is a bottom view thereof.

Area within the broken white line of FIGS. 2, 3 and 5 is illustrated to show claimed environment only and forms no part of the claimed design.

1 Claim, 3 Drawing Sheets

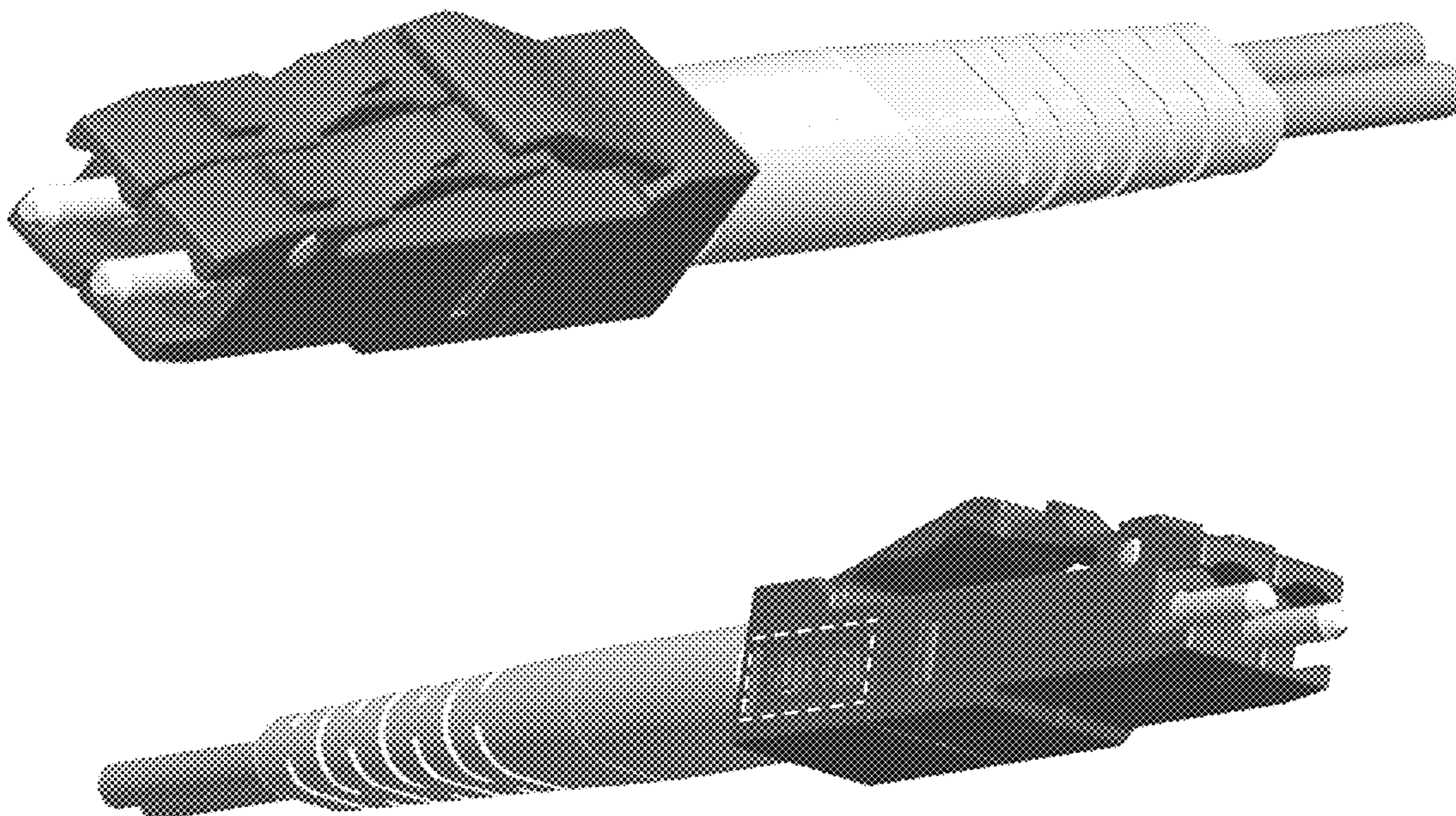


Fig. 1

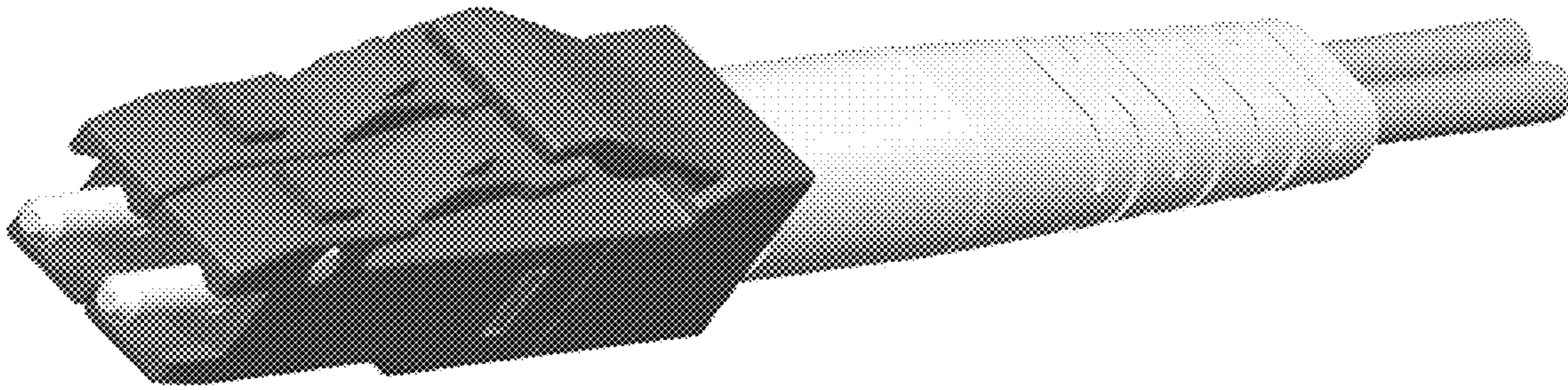


Fig. 2

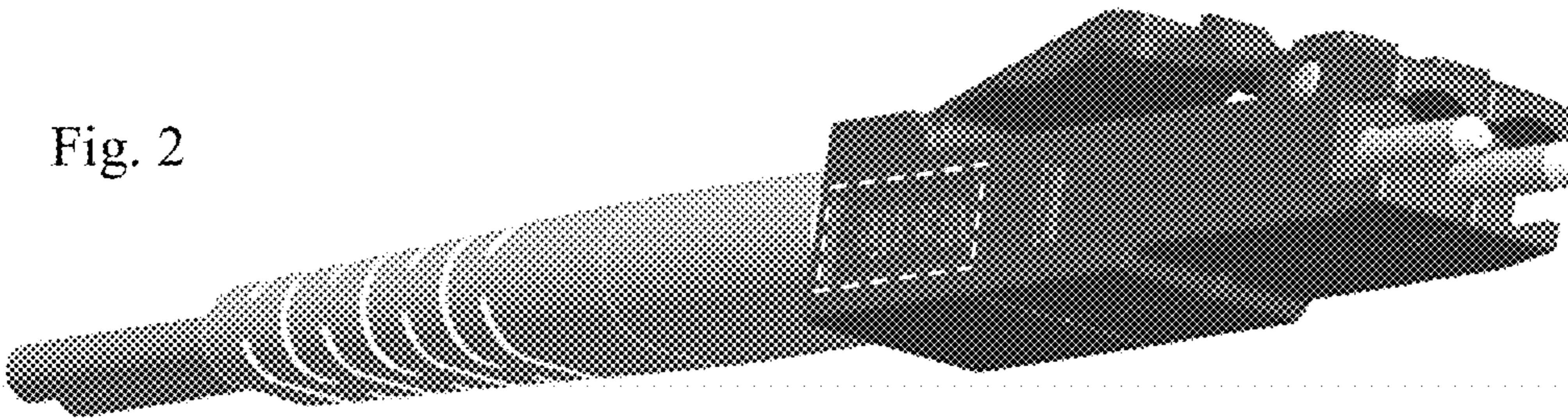


Fig. 3

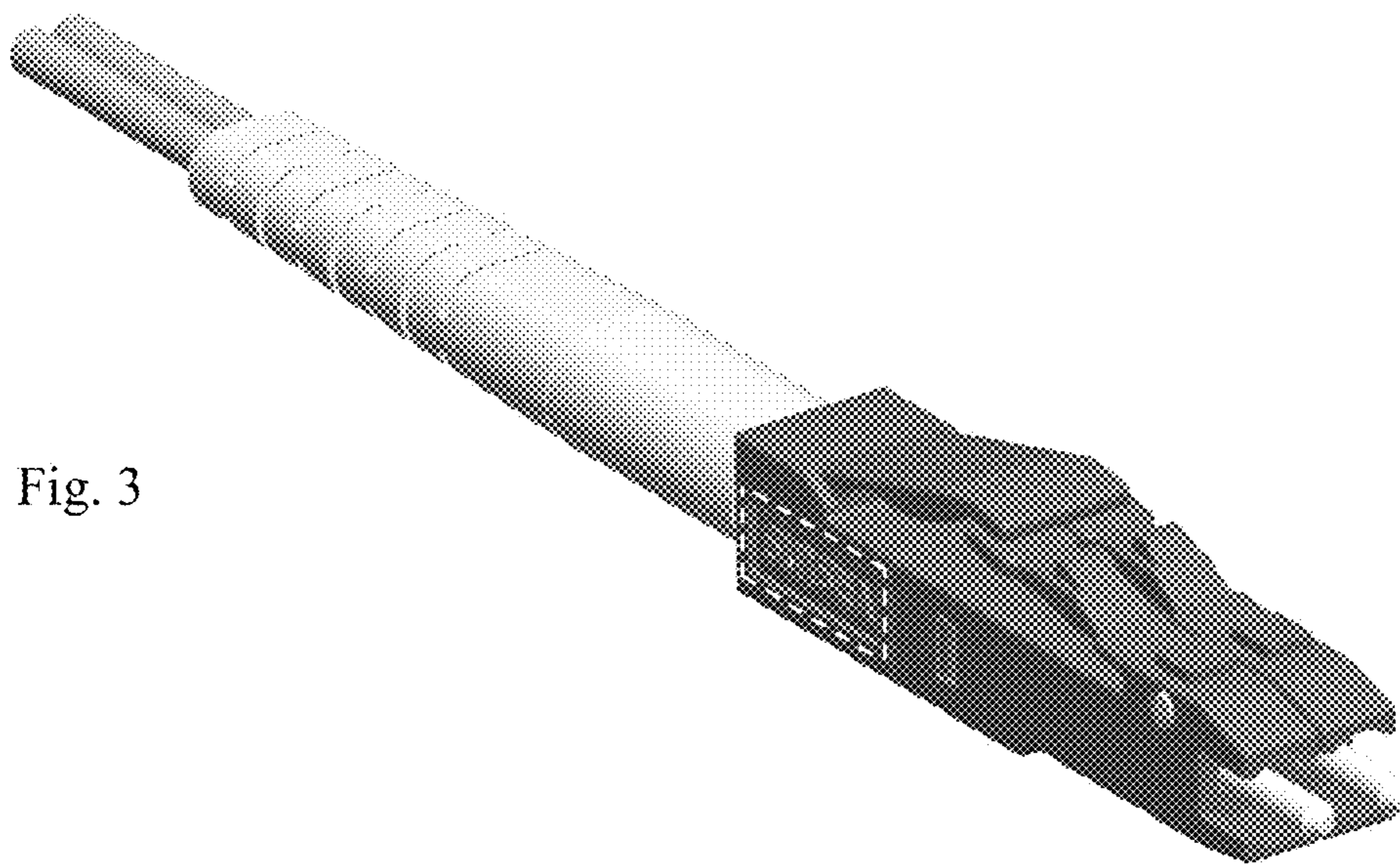


Fig. 4

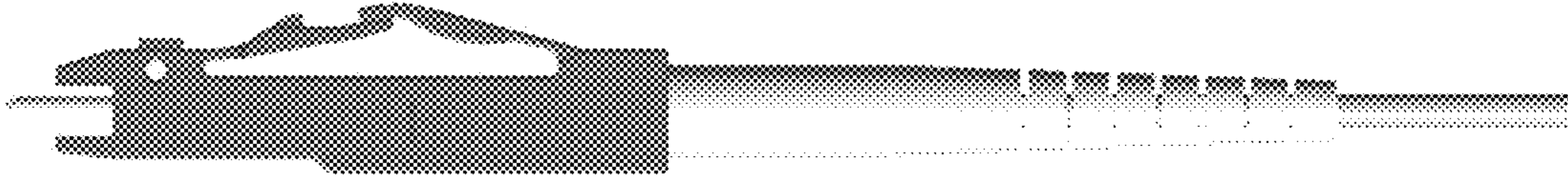


Fig. 5



Fig. 6

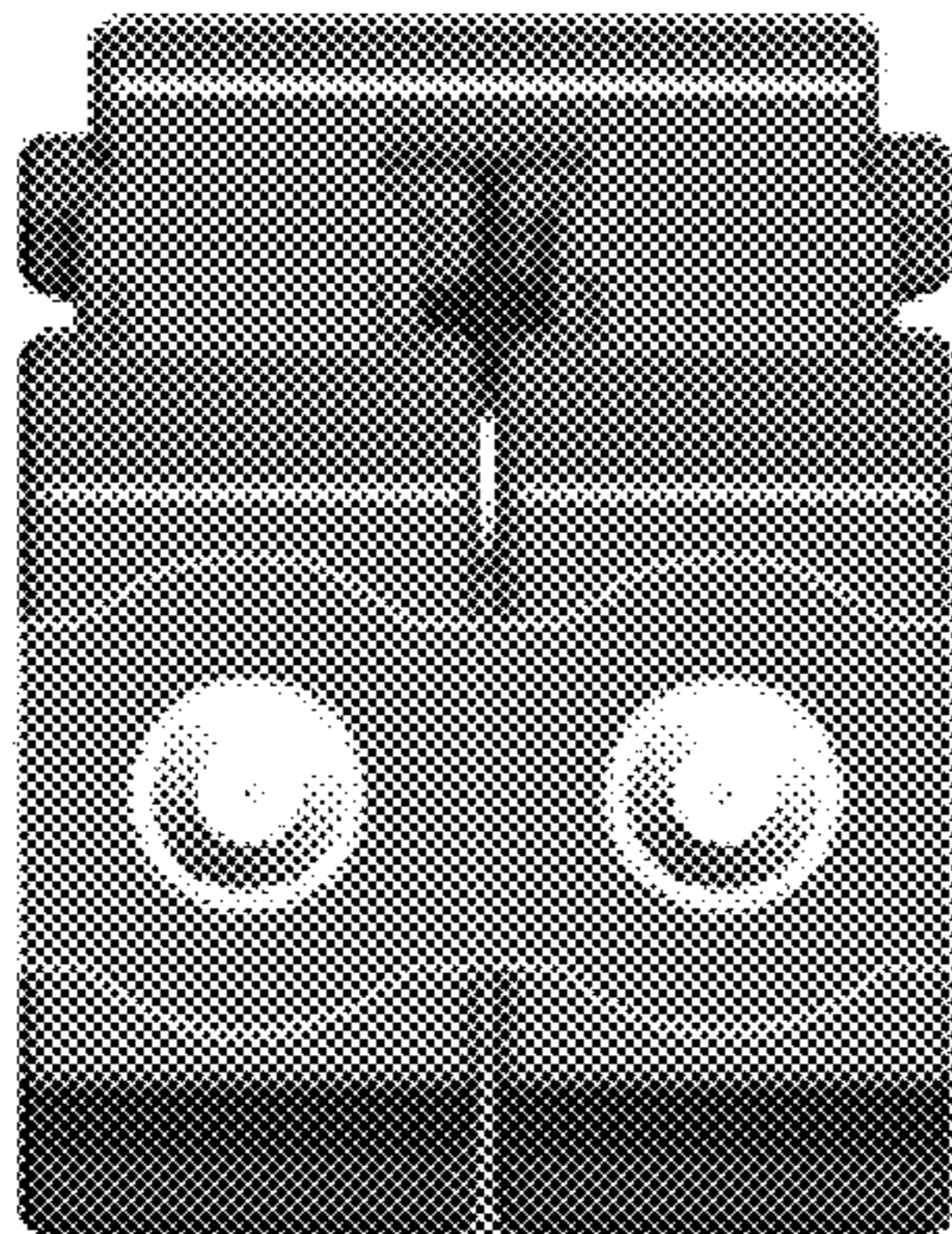


Fig. 7

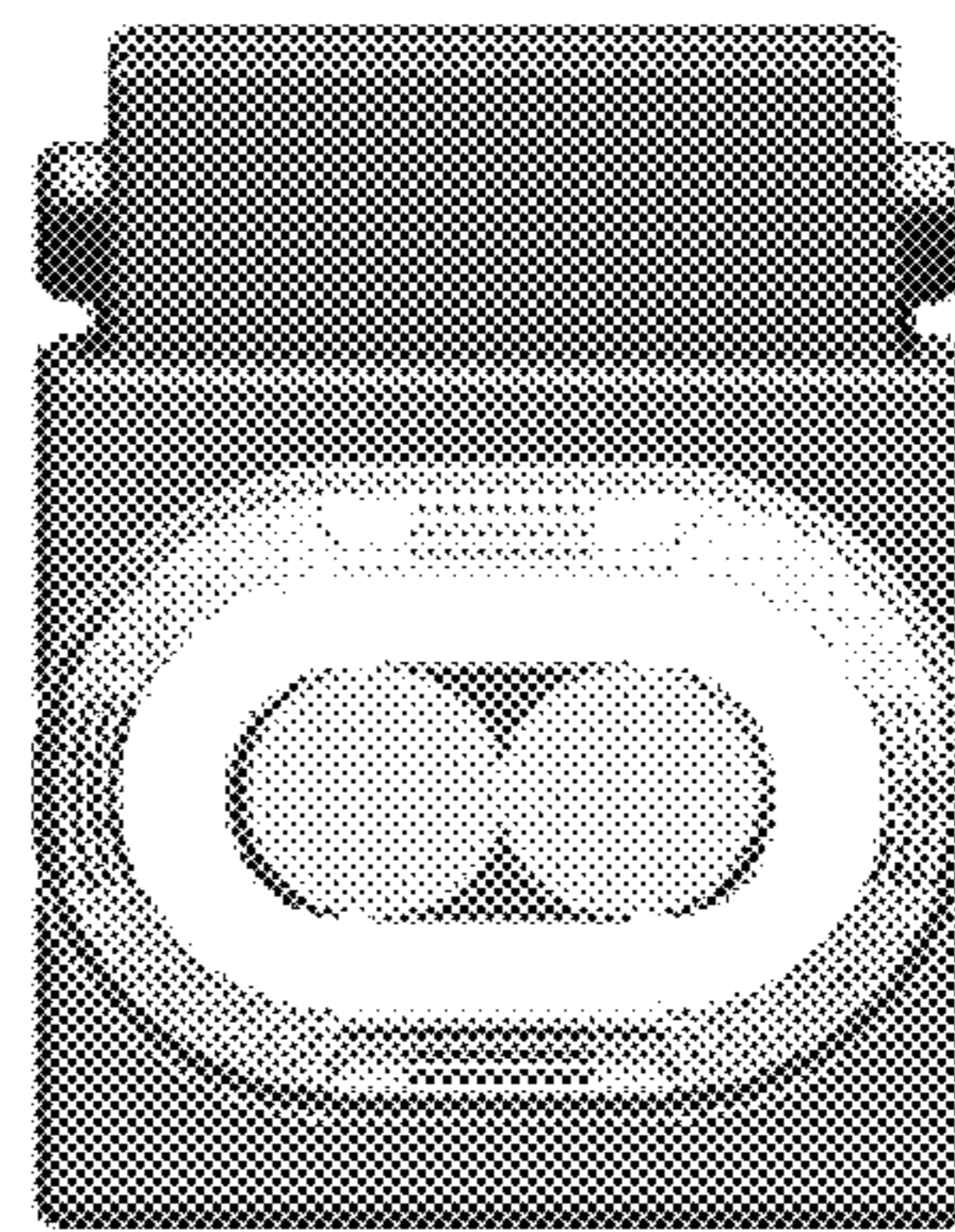


Fig. 8



Fig. 9

