



US00D676383S

(12) **United States Design Patent**
Awata

(10) **Patent No.:** **US D676,383 S**

(45) **Date of Patent:** **** Feb. 19, 2013**

(54) **ENGINE GENERATOR**

D501,182 S * 1/2005 Buck D13/110
D580,860 S * 11/2008 Xi-Ren D13/122
D588,987 S * 3/2009 Kato D13/116

(75) Inventor: **Hiroki Awata**, Tokyo (JP)

FOREIGN PATENT DOCUMENTS

(73) Assignee: **Mitsubishi Heavy Industries, Ltd.**,
Tokyo (JP)

FR 797020-022 12/2006
JP 652172 5/1985
JP 653544 6/1985

(**) Term: **14 Years**

OTHER PUBLICATIONS

(21) Appl. No.: **29/369,408**

Russian Decision of Grant (with English translation) issued Jun. 23, 2011, in corresponding Russian Design application No. 2010503045.

(22) Filed: **Sep. 8, 2010**

* cited by examiner

(30) **Foreign Application Priority Data**

Apr. 19, 2010 (JP) 2010-009803

Primary Examiner — Derrick Holland

(51) **LOC (9) Cl.** **13-01**

(74) *Attorney, Agent, or Firm* — Wenderoth, Lind & Ponack, L.L.P.

(52) **U.S. Cl.** **D13/116**

(57) **CLAIM**

(58) **Field of Classification Search** D13/116,
D13/112, 114, 122, 184, 199; D6/329, 462;
D15/33; D34/12, 17, 23, 24, 26; 219/56,
219/57; 290/1 A, 1 B, 1 R; 307/150, 153;
310/50, 89, 158, 418

The ornamental design for an engine generator, as shown and described.

See application file for complete search history.

DESCRIPTION

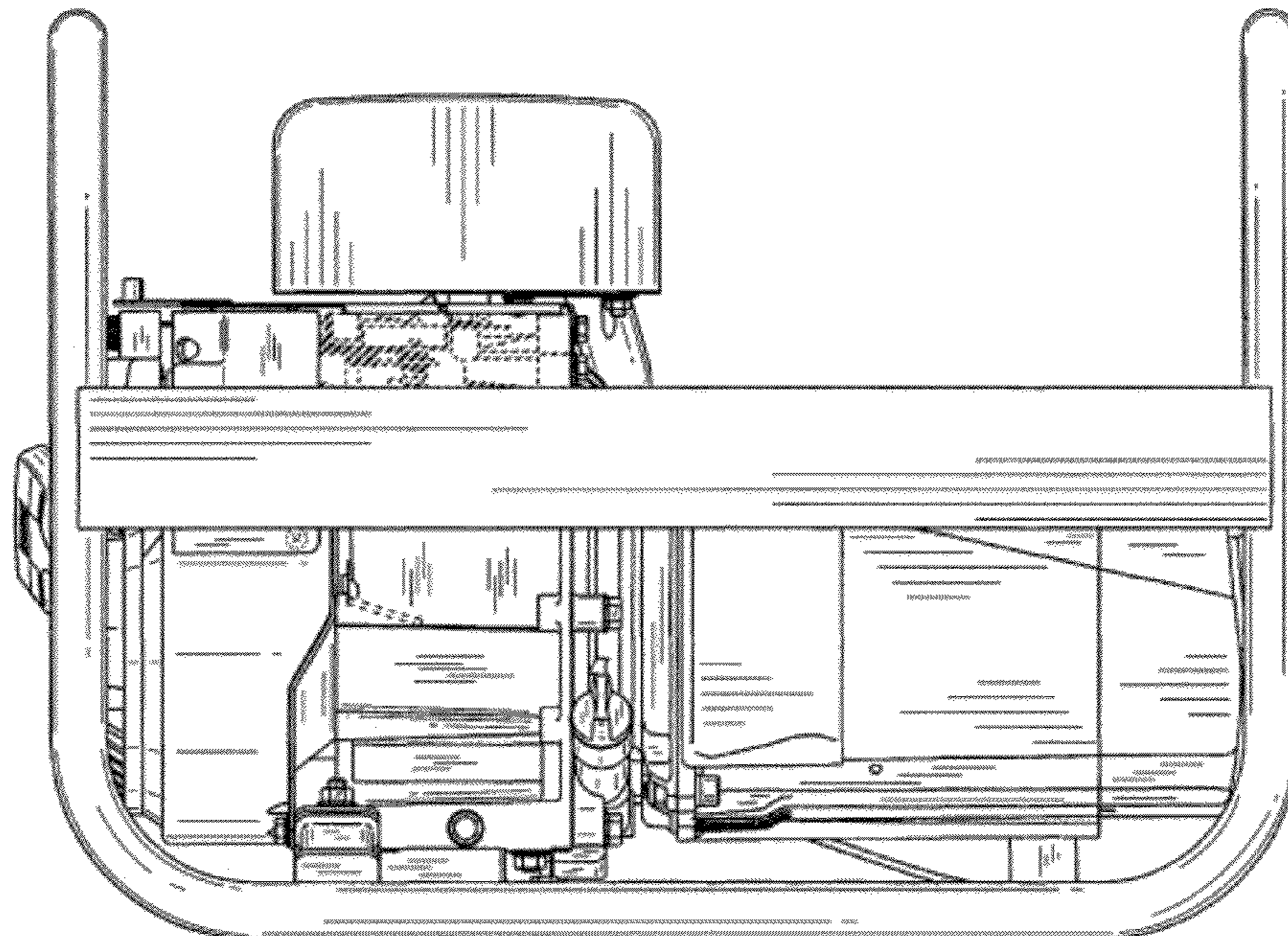
(56) **References Cited**

FIG. 1 is a front view of an engine generator in accordance with the present design;
FIG. 2 is a rear view thereof;
FIG. 3 is a left side view thereof;
FIG. 4 is a right side view thereof;
FIG. 5 is a top plan view thereof; and,
FIG. 6 is a bottom plan view thereof.
The broken lines shown represent unclaimed subject matter and for no part of the claimed design.

U.S. PATENT DOCUMENTS

D282,734 S * 2/1986 Shibuya D13/114
D293,904 S * 1/1988 Murakami et al. D13/116
D441,714 S * 5/2001 Yuzuriha D13/116
6,525,430 B1 * 2/2003 Asai et al. 290/1 A
D472,519 S * 4/2003 Buck D13/114
D486,447 S * 2/2004 Fan D13/114

1 Claim, 3 Drawing Sheets



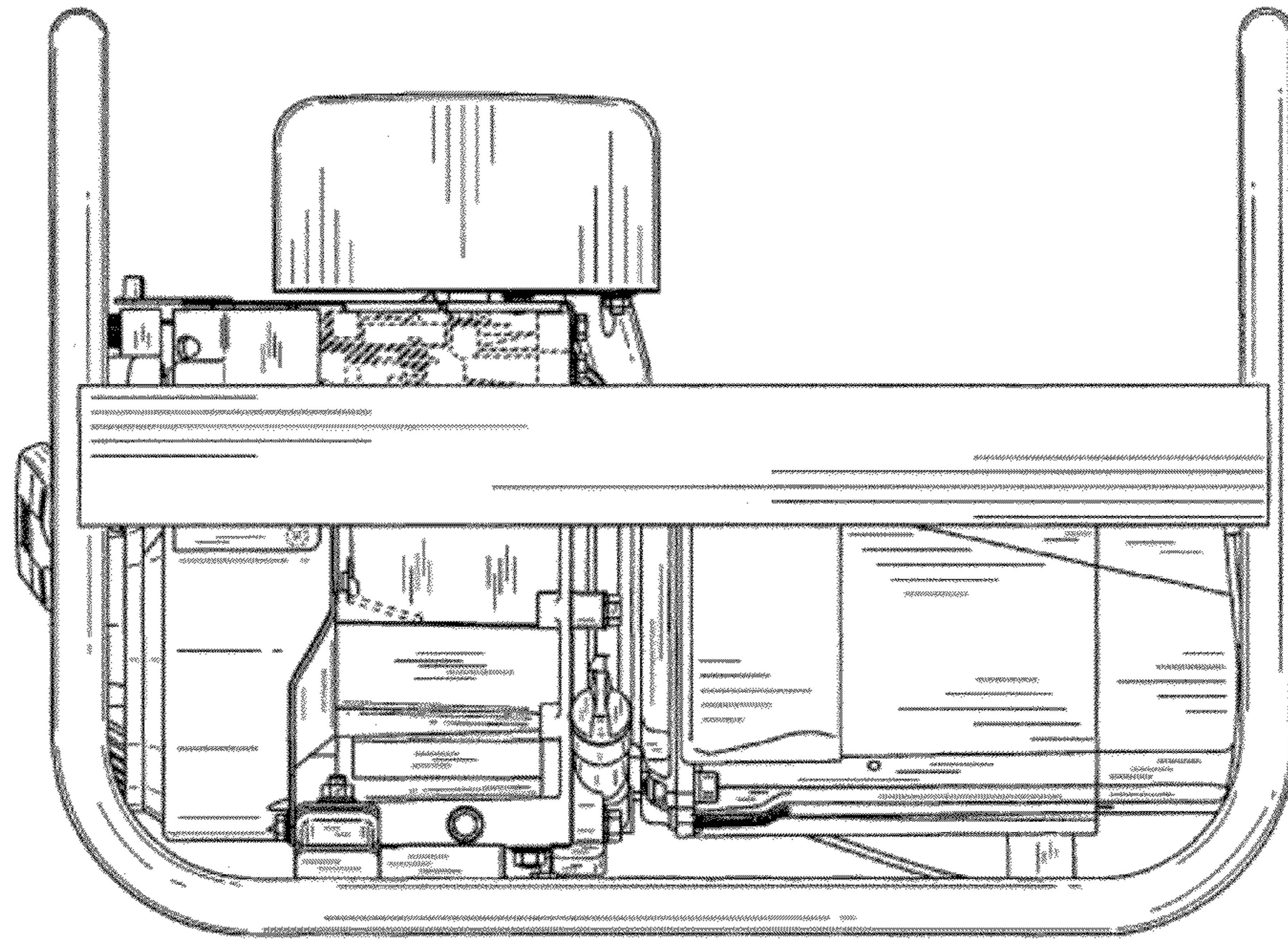


FIG. 1

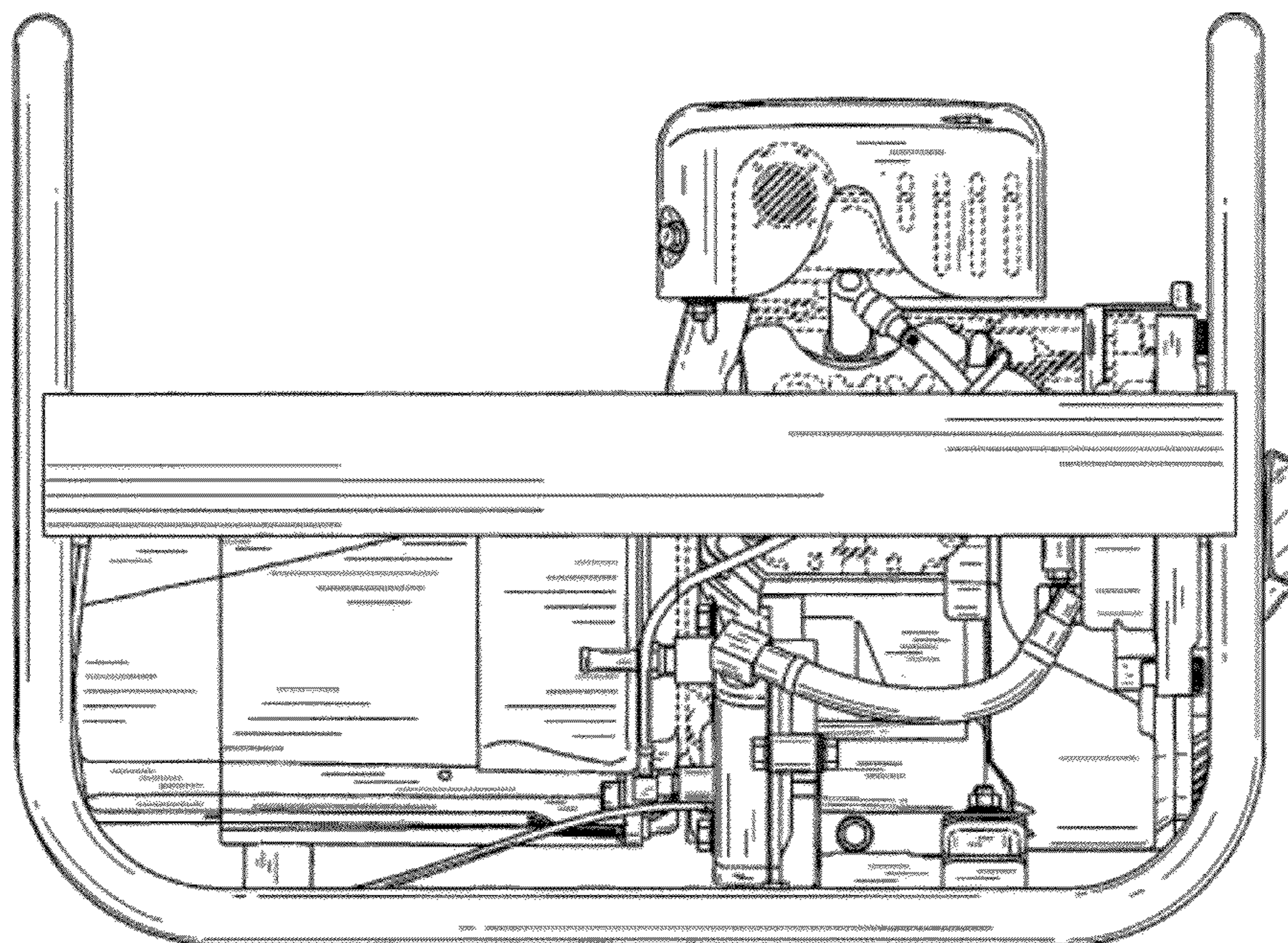


FIG. 2

FIG.3

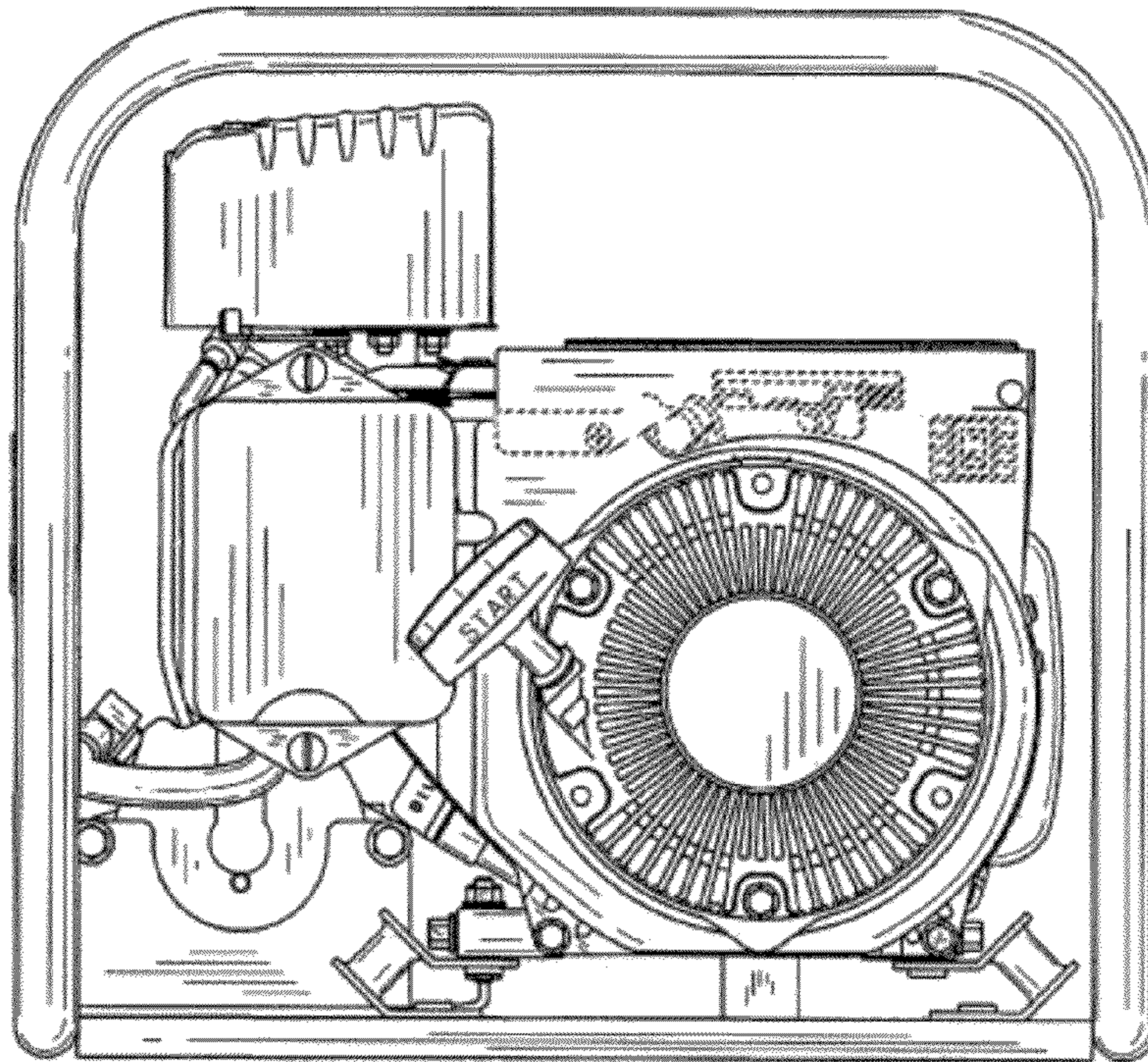


FIG.4

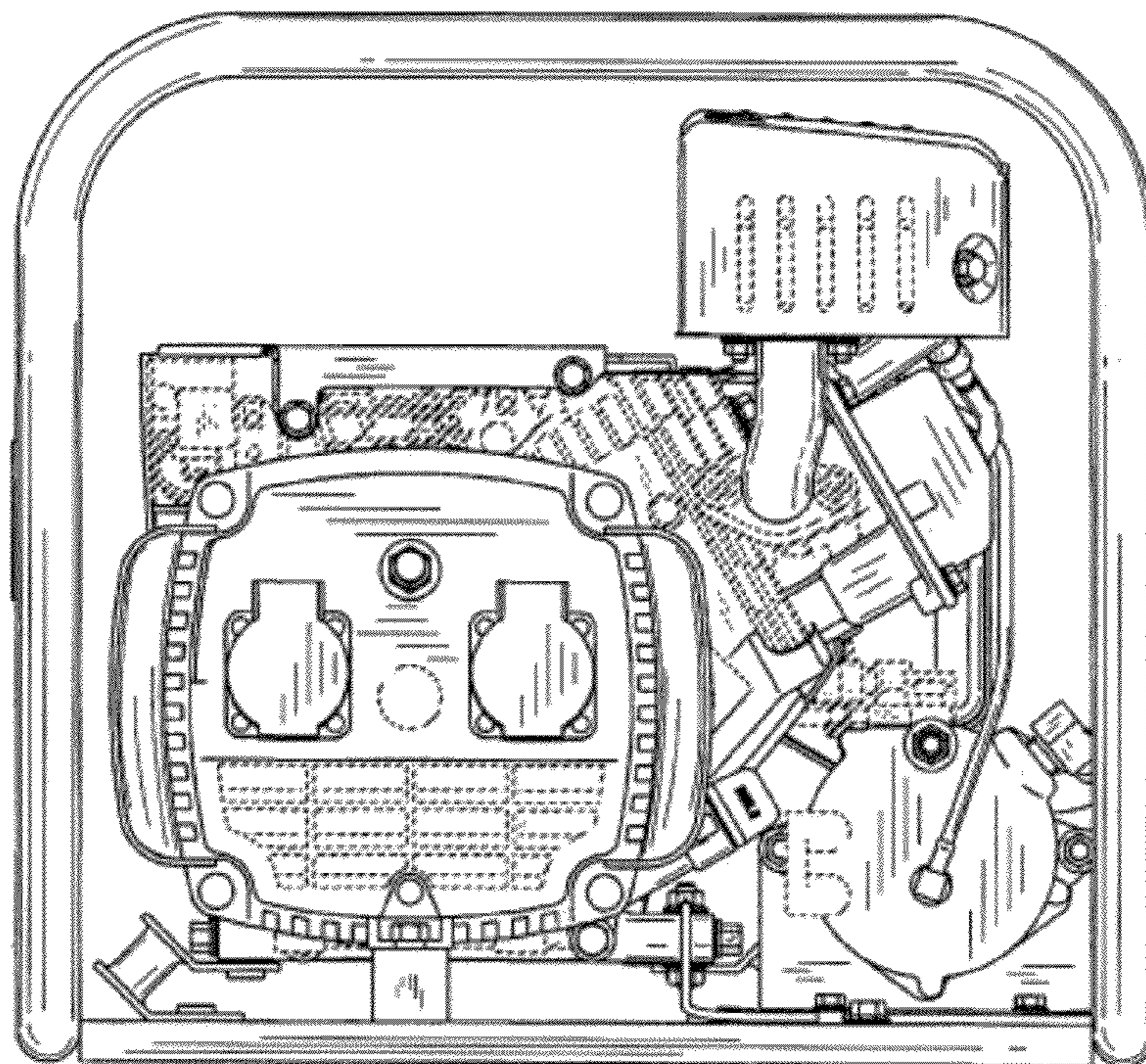


FIG.5

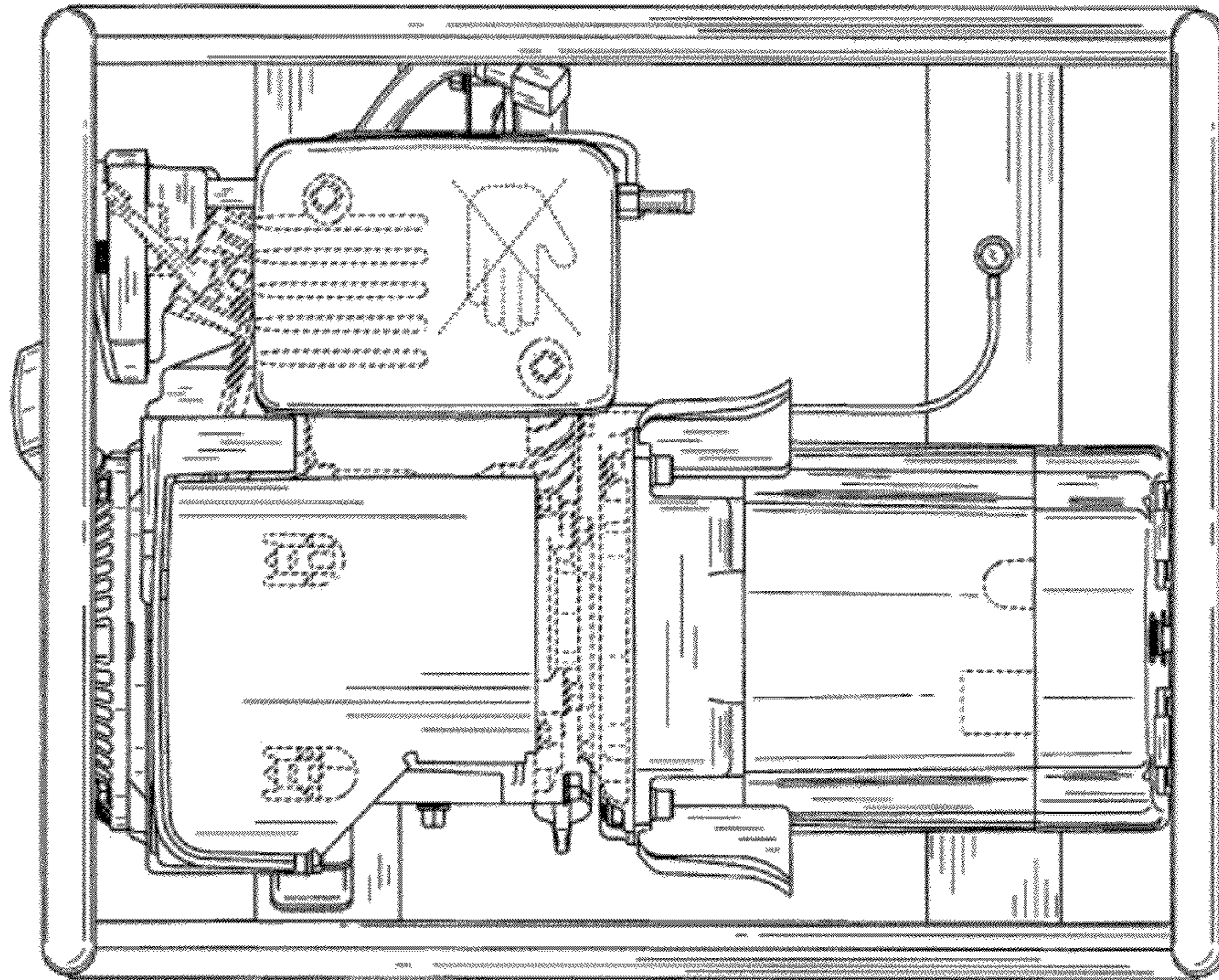


FIG.6

