



US00D676382S

(12) **United States Design Patent**
McSweyn

(10) **Patent No.:** **US D676,382 S**

(45) **Date of Patent:** **** Feb. 19, 2013**

(54) **HOME CHARGER**

(75) Inventor: **Christopher McSweyn**, Oxnard, CA
(US)

(73) Assignee: **Scosche Industries, Inc.**, Oxnard, CA
(US)

(**) Term: **14 Years**

(21) Appl. No.: **29/427,662**

(22) Filed: **Jul. 20, 2012**

(51) **LOC (9) Cl.** **13-02**

(52) **U.S. Cl.** **D13/108**

(58) **Field of Classification Search** D13/107-108,
D13/110, 118-119, 123, 133, 137.1, 184,
D13/199; 439/105, 166, 170-175, 218, 518,
439/692, 956; 320/107-115; 307/150, 151
See application file for complete search history.

(56) **References Cited**

U.S. PATENT DOCUMENTS

D454,537 S *	3/2002	O'Connor et al.	D13/110
D601,501 S *	10/2009	Kaibara et al.	D13/110
D634,269 S *	3/2011	Griffin, Jr.	D13/108
D638,357 S *	5/2011	Sasada et al.	D13/110
D647,476 S *	10/2011	Ciou	D13/110
D650,330 S *	12/2011	Dong	D13/108

D653,208 S *	1/2012	Au	D13/108
D653,615 S *	2/2012	Au	D13/108
D659,095 S *	5/2012	McManigal	D13/110
D661,651 S *	6/2012	Smith et al.	D13/138.1
2005/0088141 A1 *	4/2005	Lee et al.	320/114
2010/0117597 A1 *	5/2010	Wang	320/111
2011/0304300 A1 *	12/2011	Jeong et al.	320/111

* cited by examiner

Primary Examiner — Rosemary K Tarcza

(74) *Attorney, Agent, or Firm* — Arent Fox LLP

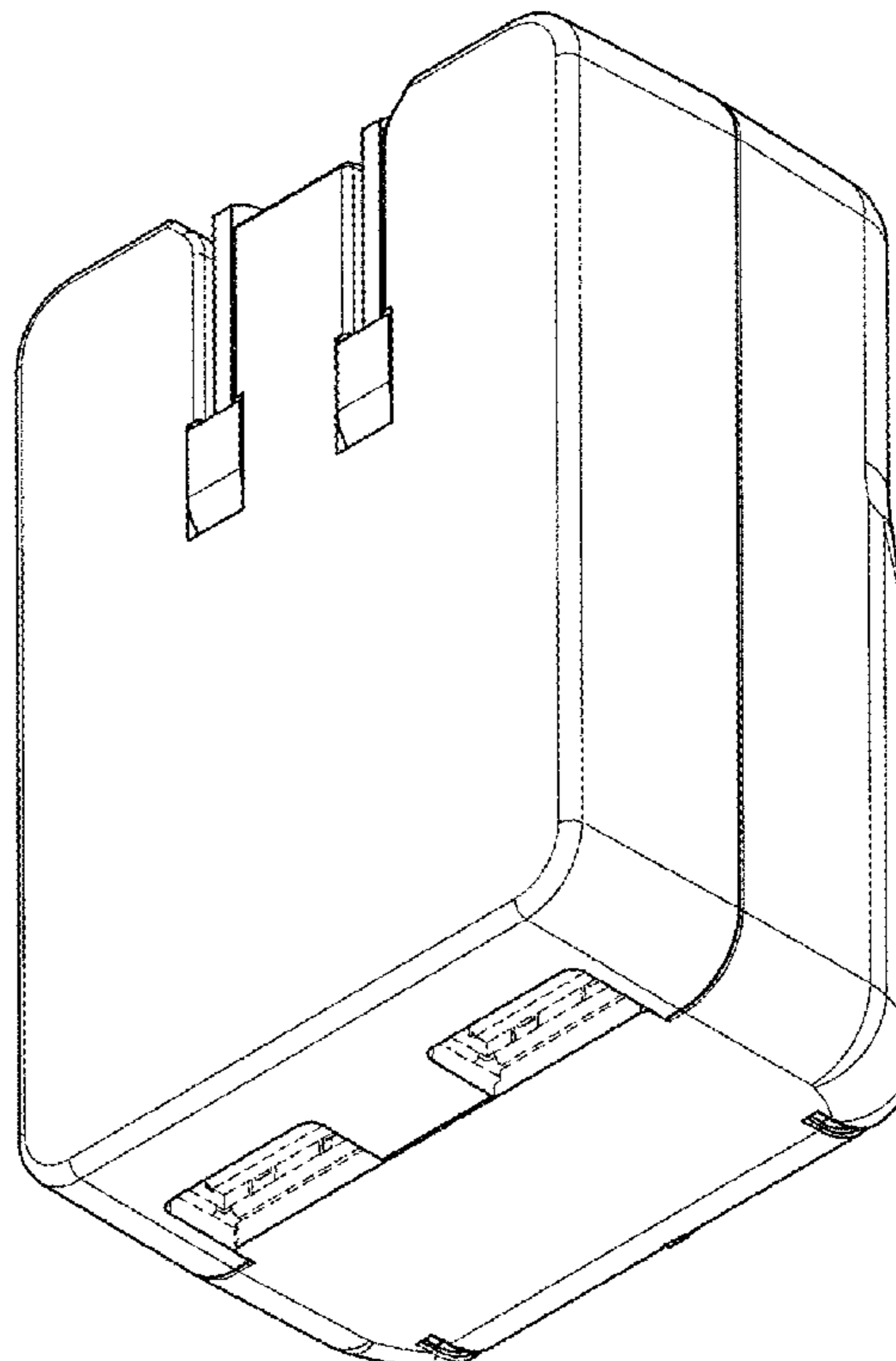
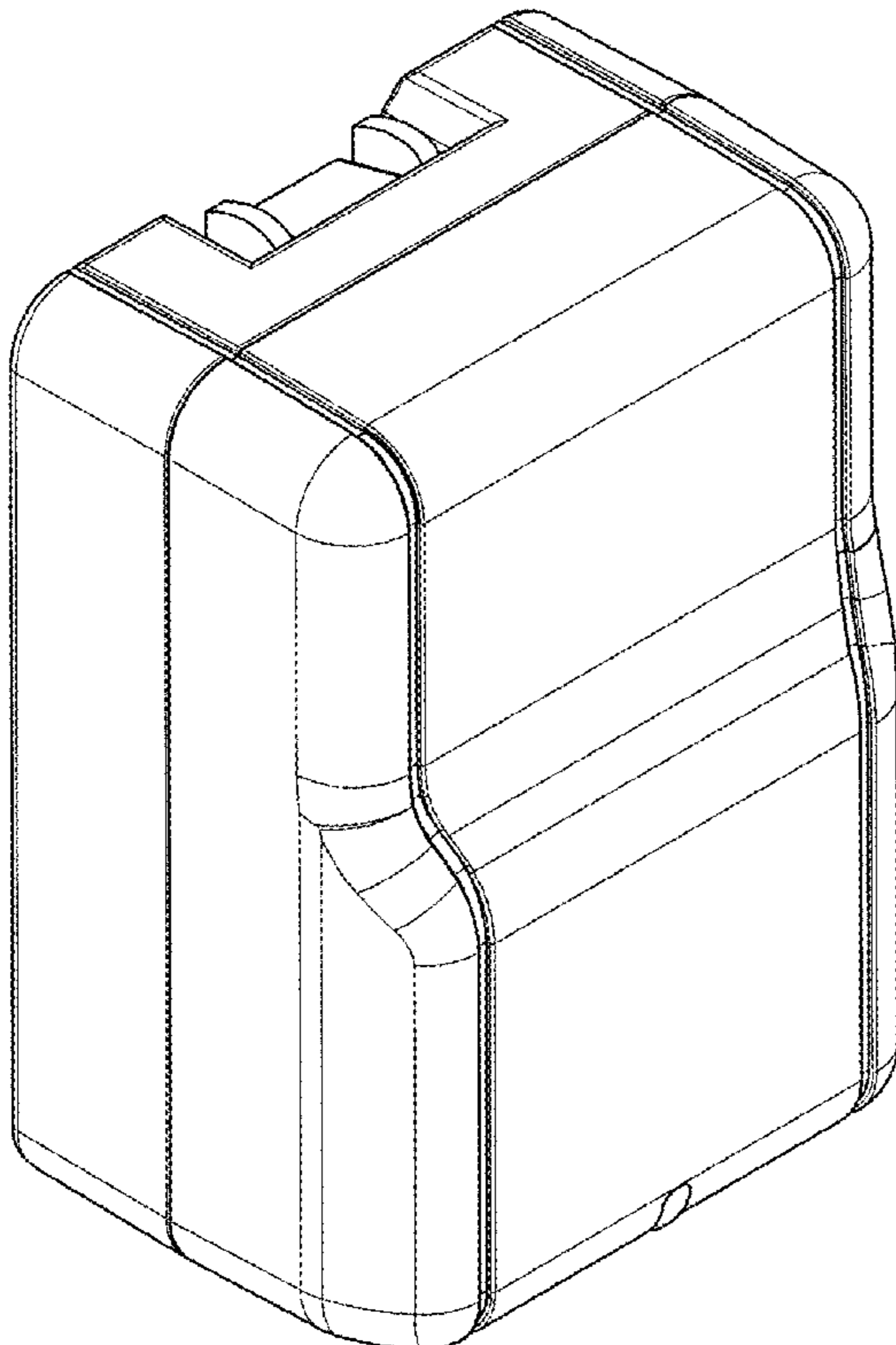
(57) **CLAIM**

The ornamental design for a home charger, as shown and described.

DESCRIPTION

FIG. 1 is a top and front perspective view of a home charger showing my new design;
FIG. 2 is a bottom and rear perspective view thereof;
FIG. 3 is a side view thereof;
FIG. 4 is a front view thereof;
FIG. 5 is a back view thereof;
FIG. 6 is a top view thereof; and,
FIG. 7 is a bottom view thereof.
Portions of FIGS. 2 and 7 are shown in dashed lines for illustrative purposes only and form no part of the claimed design.

1 Claim, 6 Drawing Sheets



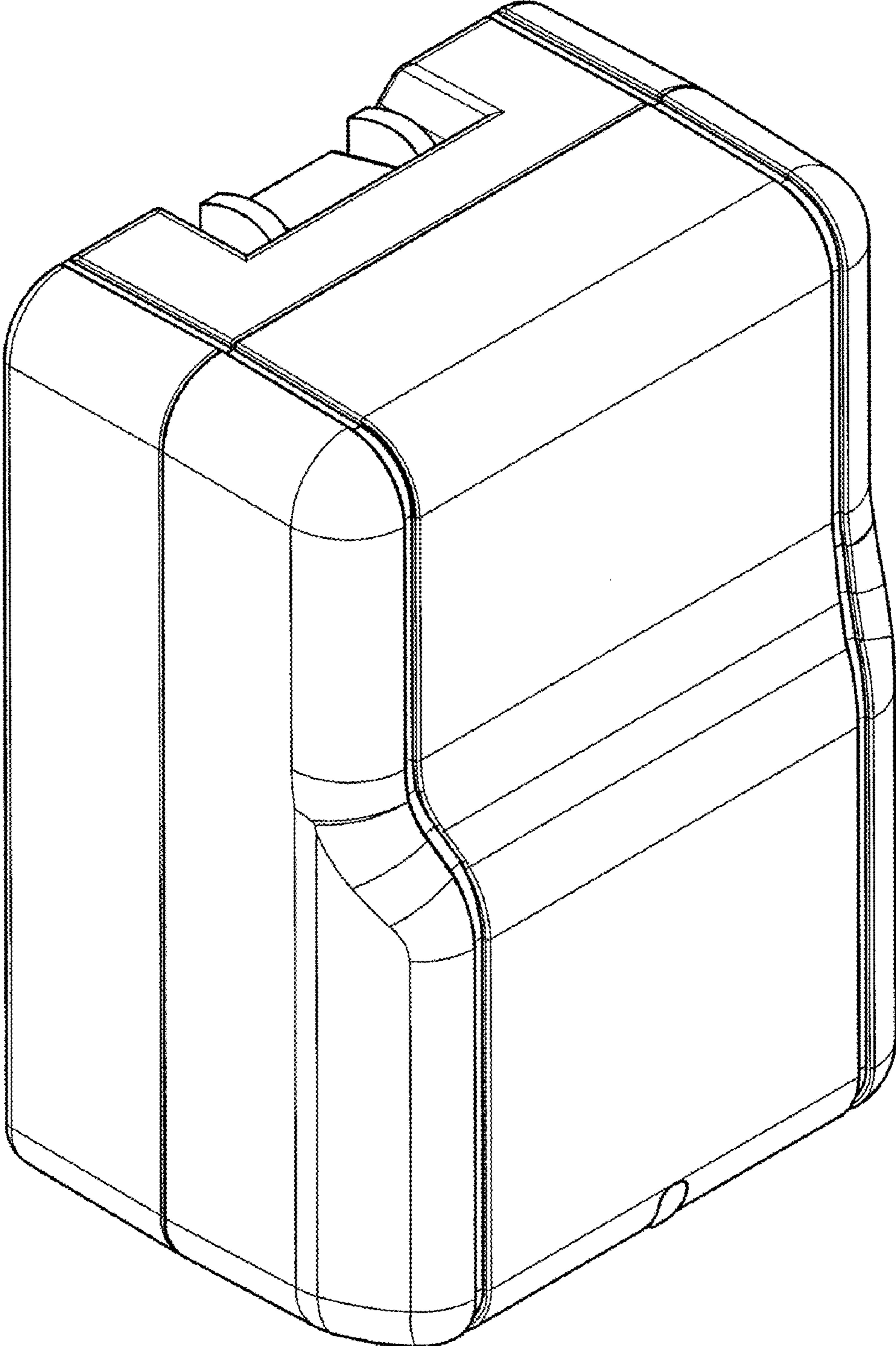


FIG. 1

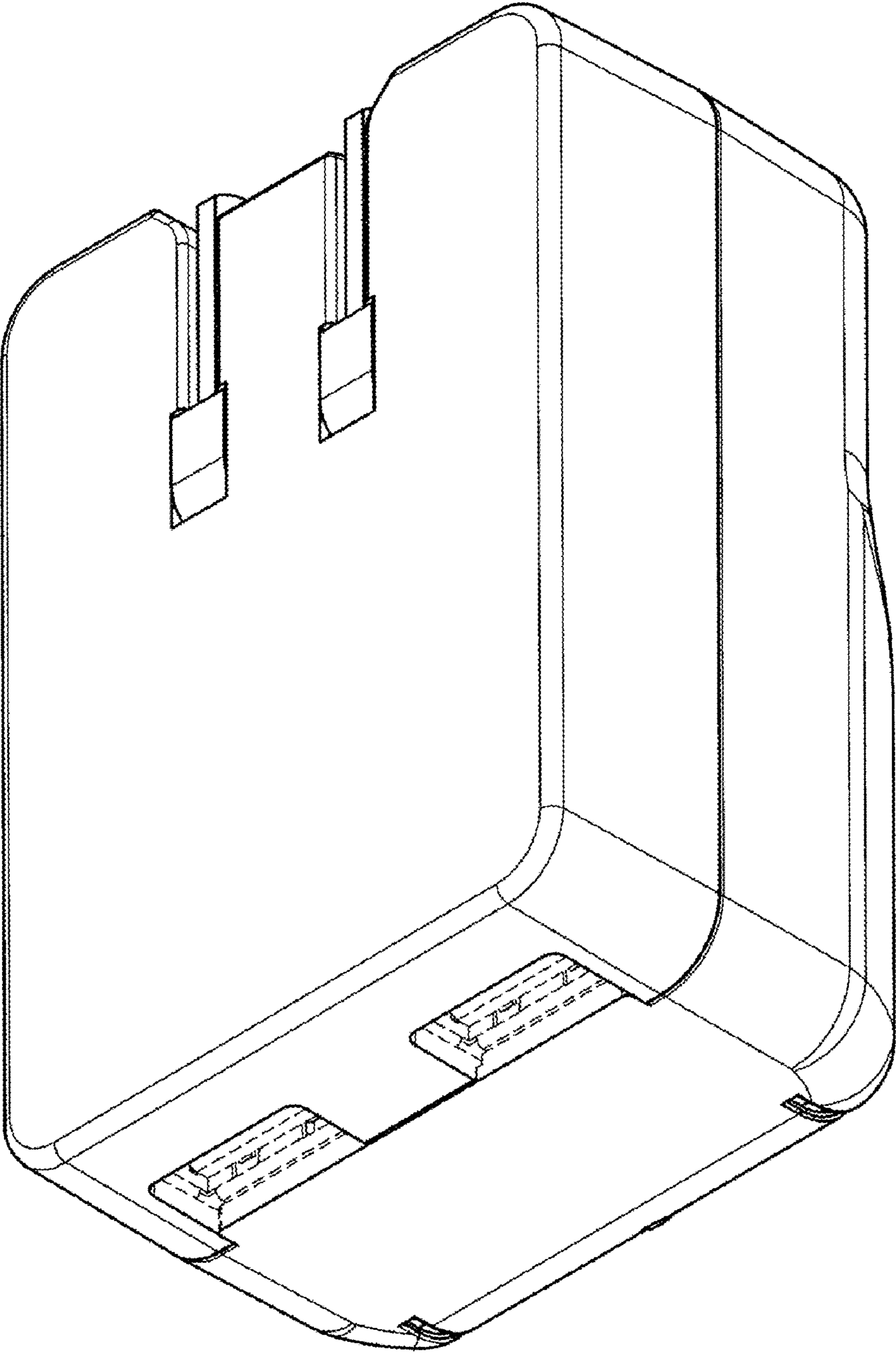


FIG. 2

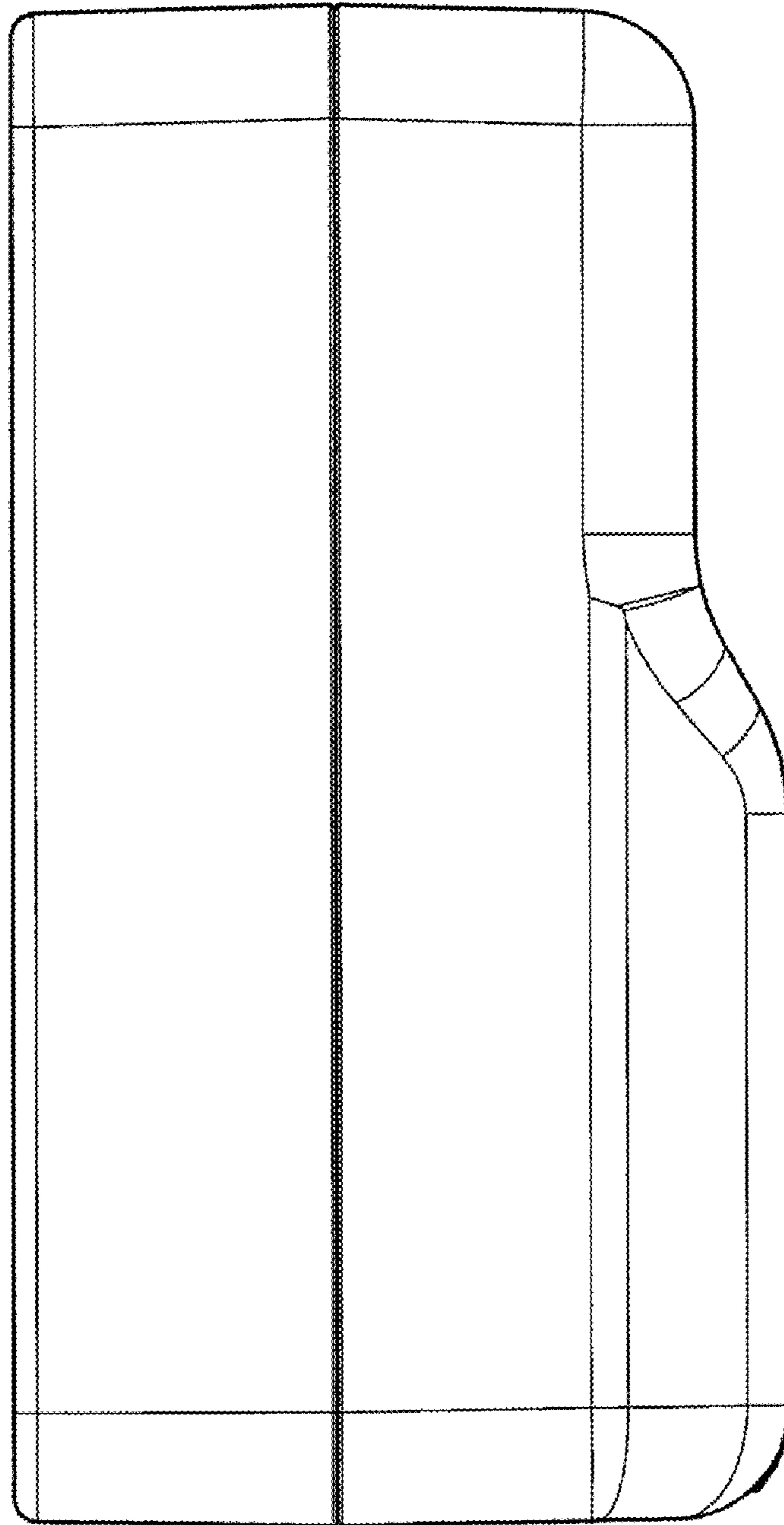


FIG. 3

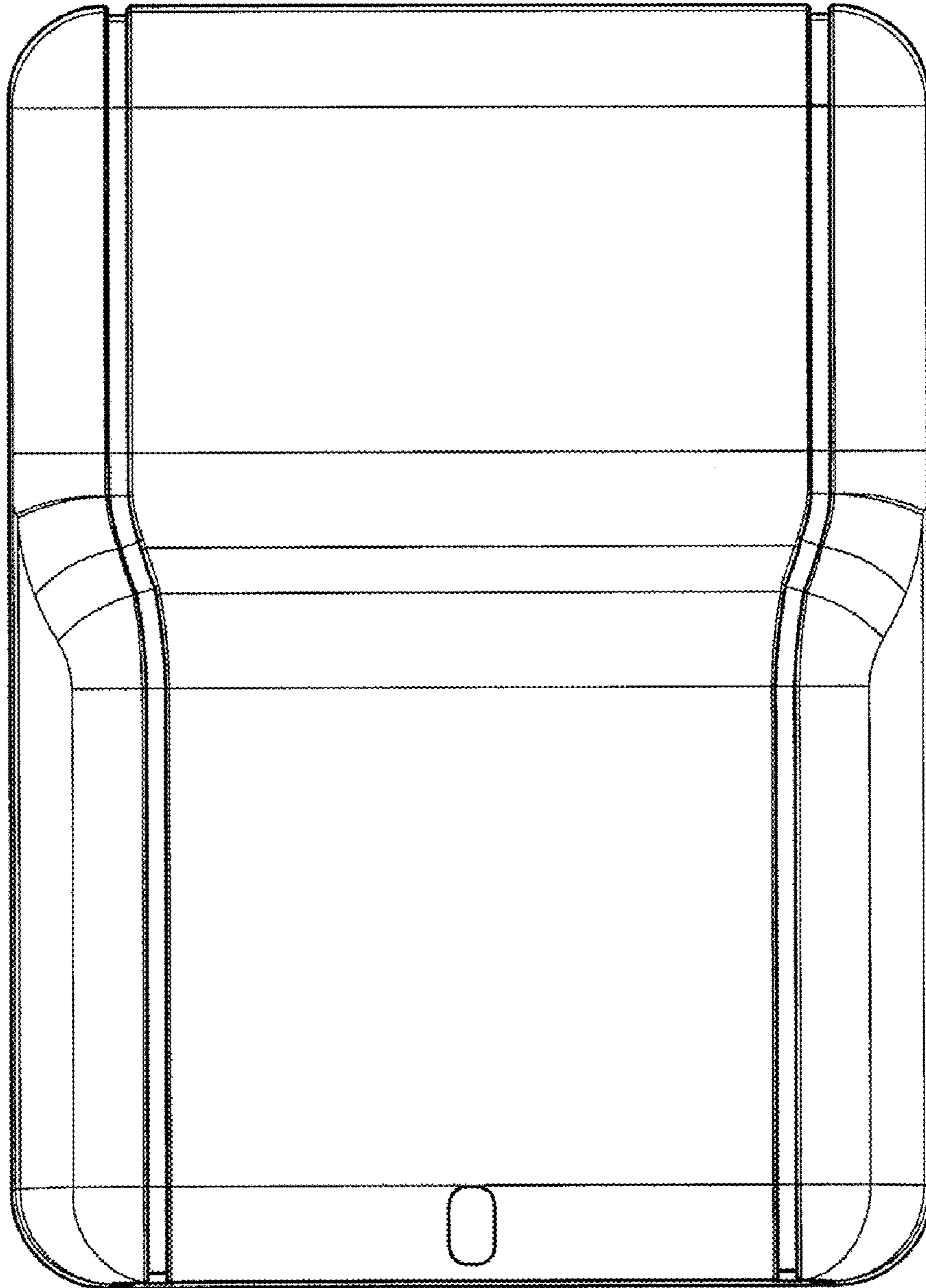


FIG. 4

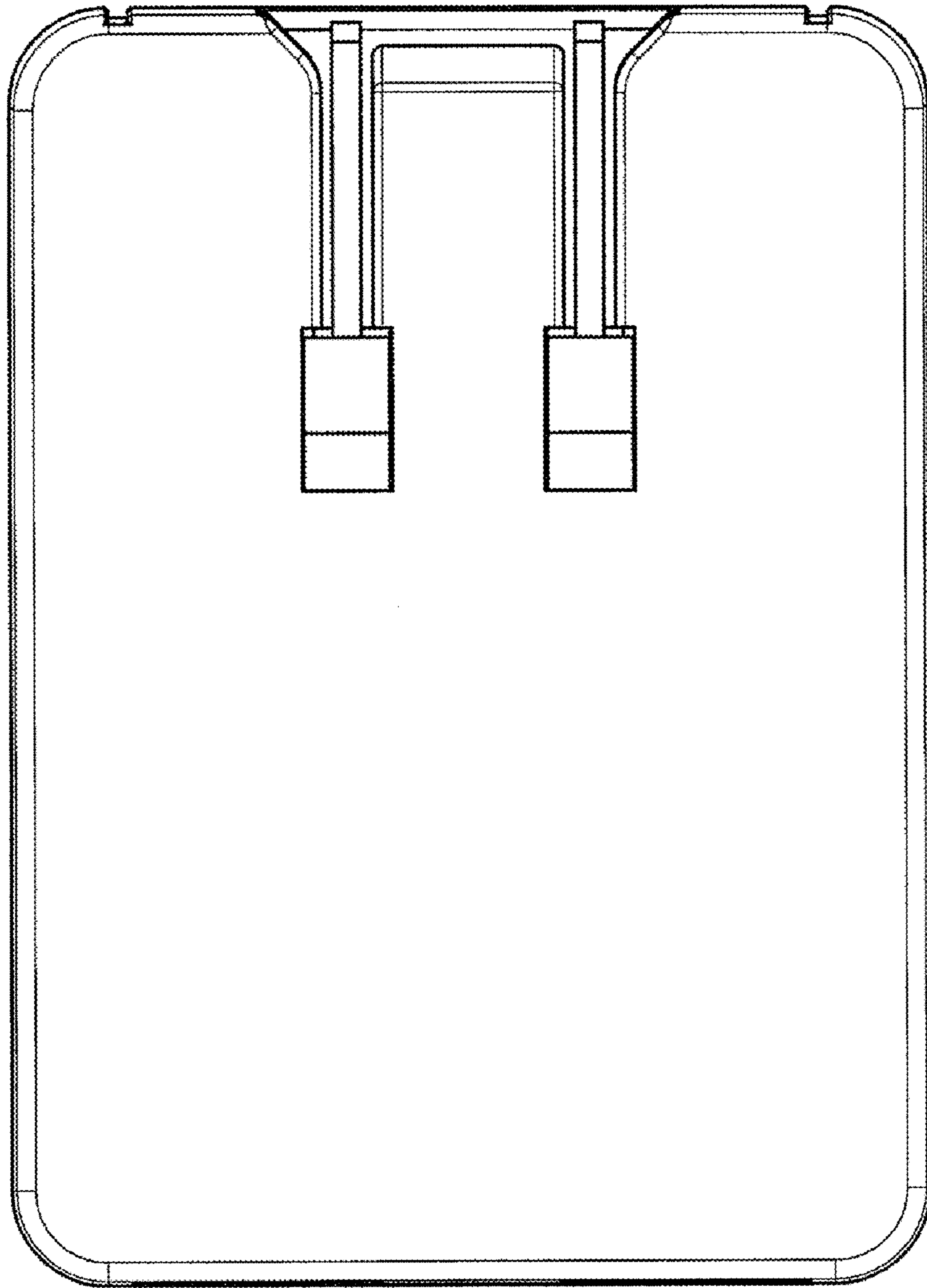


FIG. 5

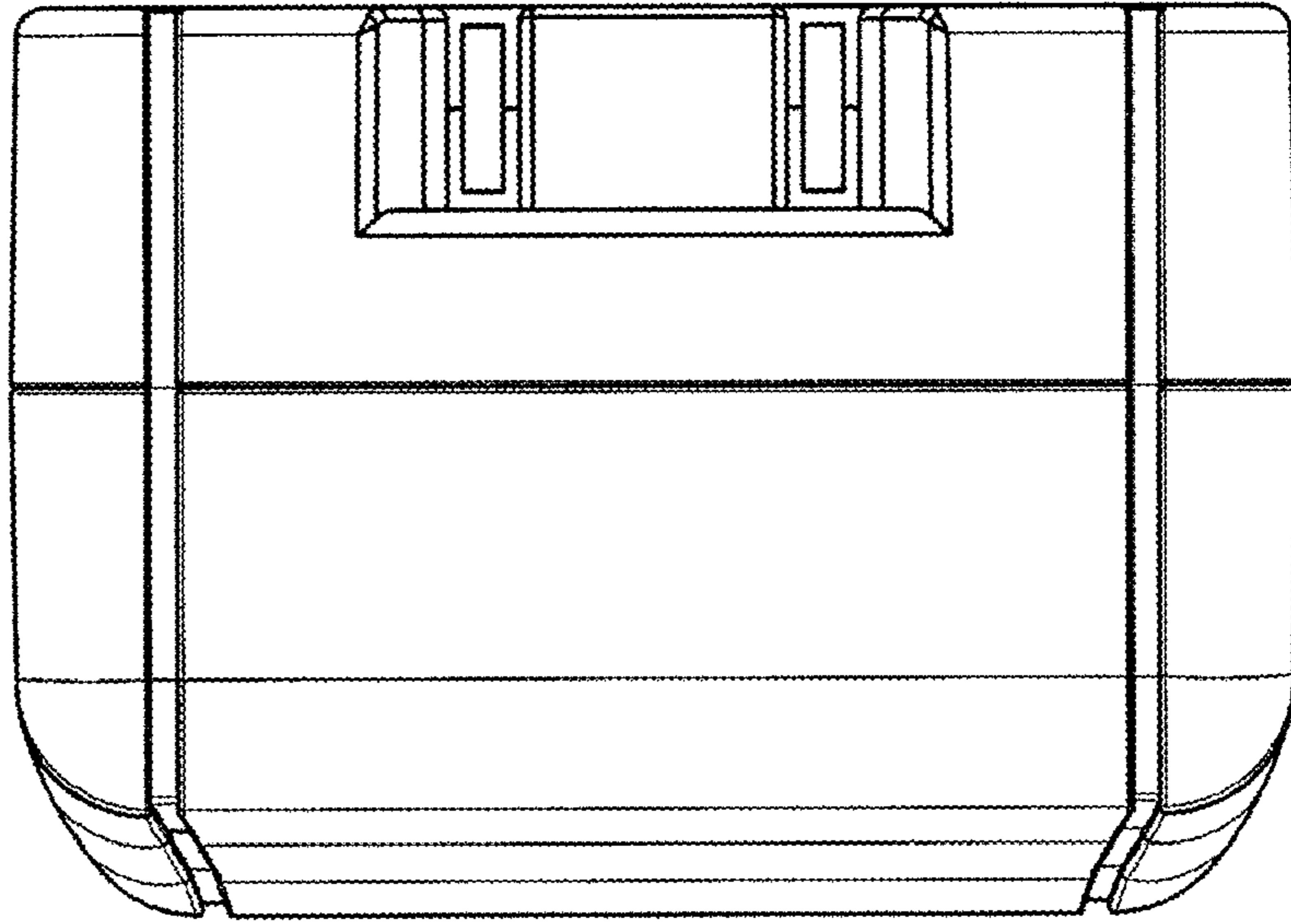


FIG. 6

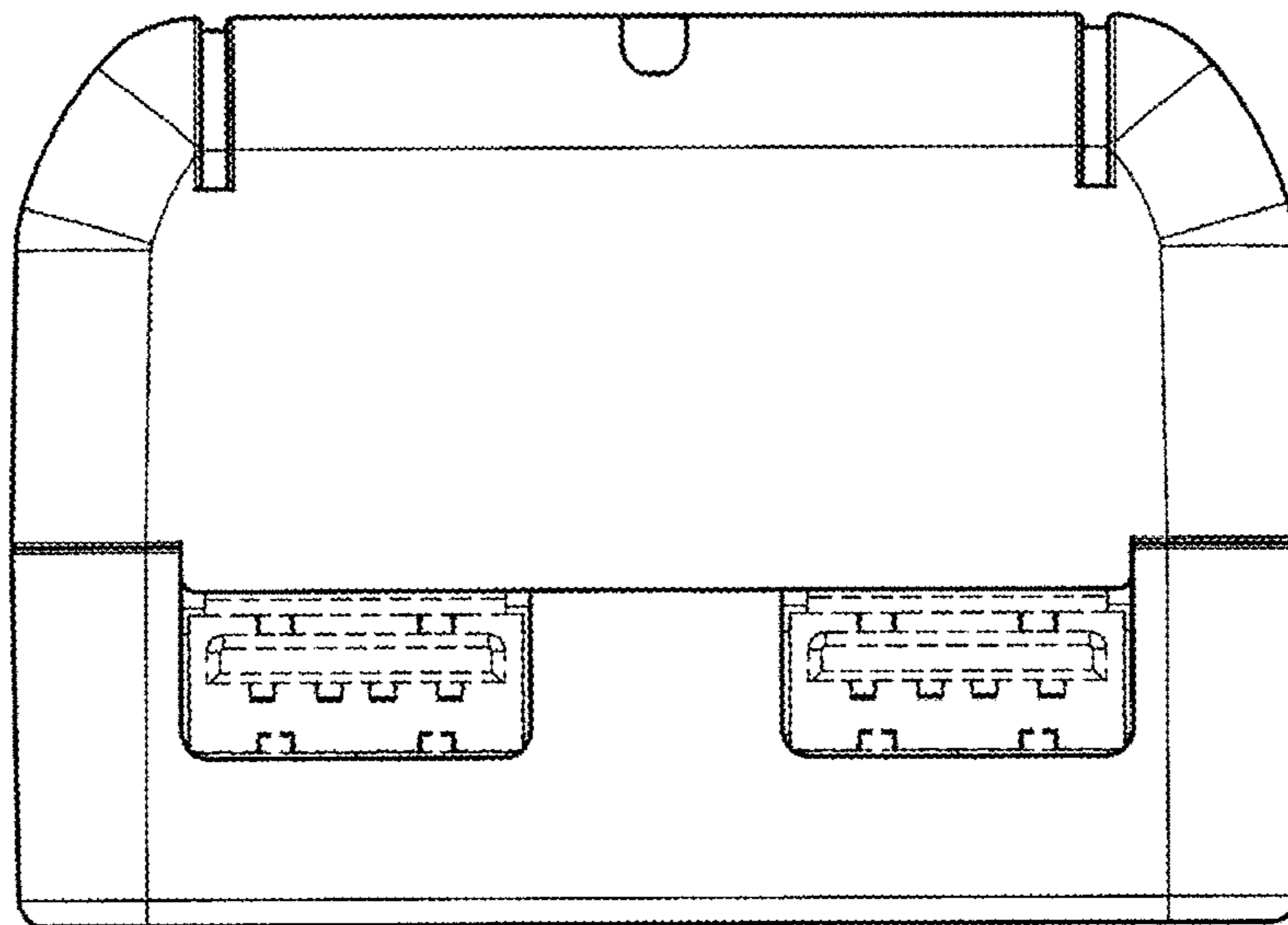


FIG. 7