



US00D676381S

(12) **United States Design Patent**
McSweyn

(10) **Patent No.:** **US D676,381 S**

(45) **Date of Patent:** **** Feb. 19, 2013**

(54) **CAR CHARGER**

(75) Inventor: **Christopher McSweyn**, Oxnard, CA
(US)

(73) Assignee: **Scosche Industries, Inc.**, Oxnard, CA
(US)

(**) Term: **14 Years**

(21) Appl. No.: **29/427,646**

(22) Filed: **Jul. 20, 2012**

(51) **LOC (9) Cl.** **13-02**

(52) **U.S. Cl.** **D13/108**

(58) **Field of Classification Search** D13/103,
D13/107-110, 118-119, 184, 199; 320/107-115;
D14/240, 432-434

See application file for complete search history.

(56) **References Cited**

U.S. PATENT DOCUMENTS

D425,022 S *	5/2000	Jaag et al.	D13/133
D430,882 S *	9/2000	Tsai	D14/434
D521,504 S *	5/2006	Nagel et al.	D14/240
D526,616 S *	8/2006	Nakashima et al.	D13/133
D559,848 S *	1/2008	Siu	D14/433

D560,165 S *	1/2008	Matityahu et al.	D13/133
D585,306 S *	1/2009	Oas	D10/2
D638,357 S *	5/2011	Sasada et al.	D13/110
D653,615 S *	2/2012	Au	D13/108
2003/0151938 A1 *	8/2003	Liao	363/146

* cited by examiner

Primary Examiner — Rosemary K Tarca

(74) *Attorney, Agent, or Firm* — Arent Fox LLP

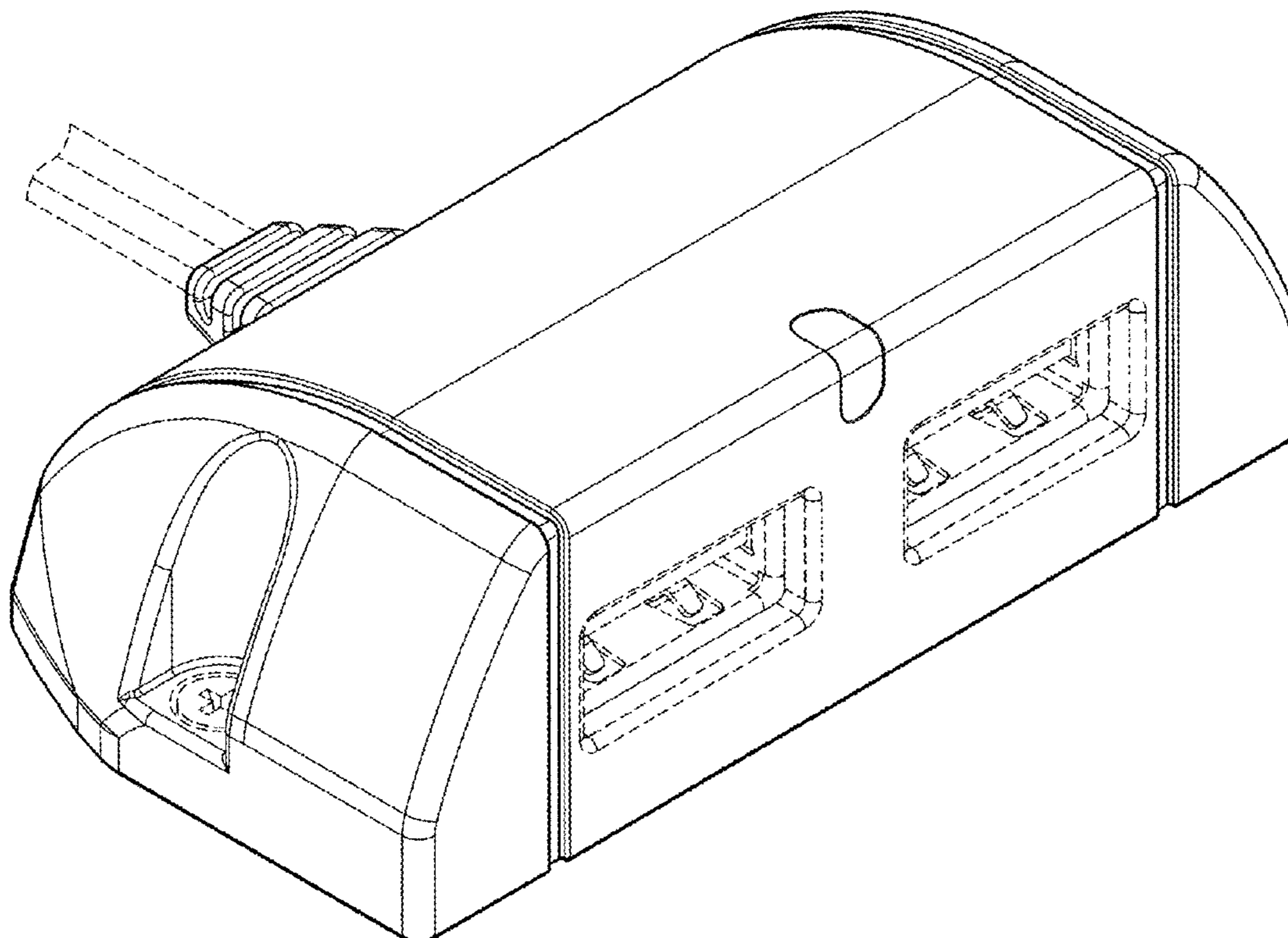
(57) **CLAIM**

The ornamental design for a car charger, as shown and described.

DESCRIPTION

FIG. 1 is a front perspective view of a car charger showing my new design;
 FIG. 2 is a rear perspective view thereof;
 FIG. 3 is a side view thereof;
 FIG. 4 is a front view thereof;
 FIG. 5 is a back view thereof;
 FIG. 6 is a top view thereof; and,
 FIG. 7 is a bottom view thereof.
 Portions of FIGS. 1-4, 6 and 7 are shown in dashed lines for illustrative purposes only and form no part of the claimed design.

1 Claim, 6 Drawing Sheets



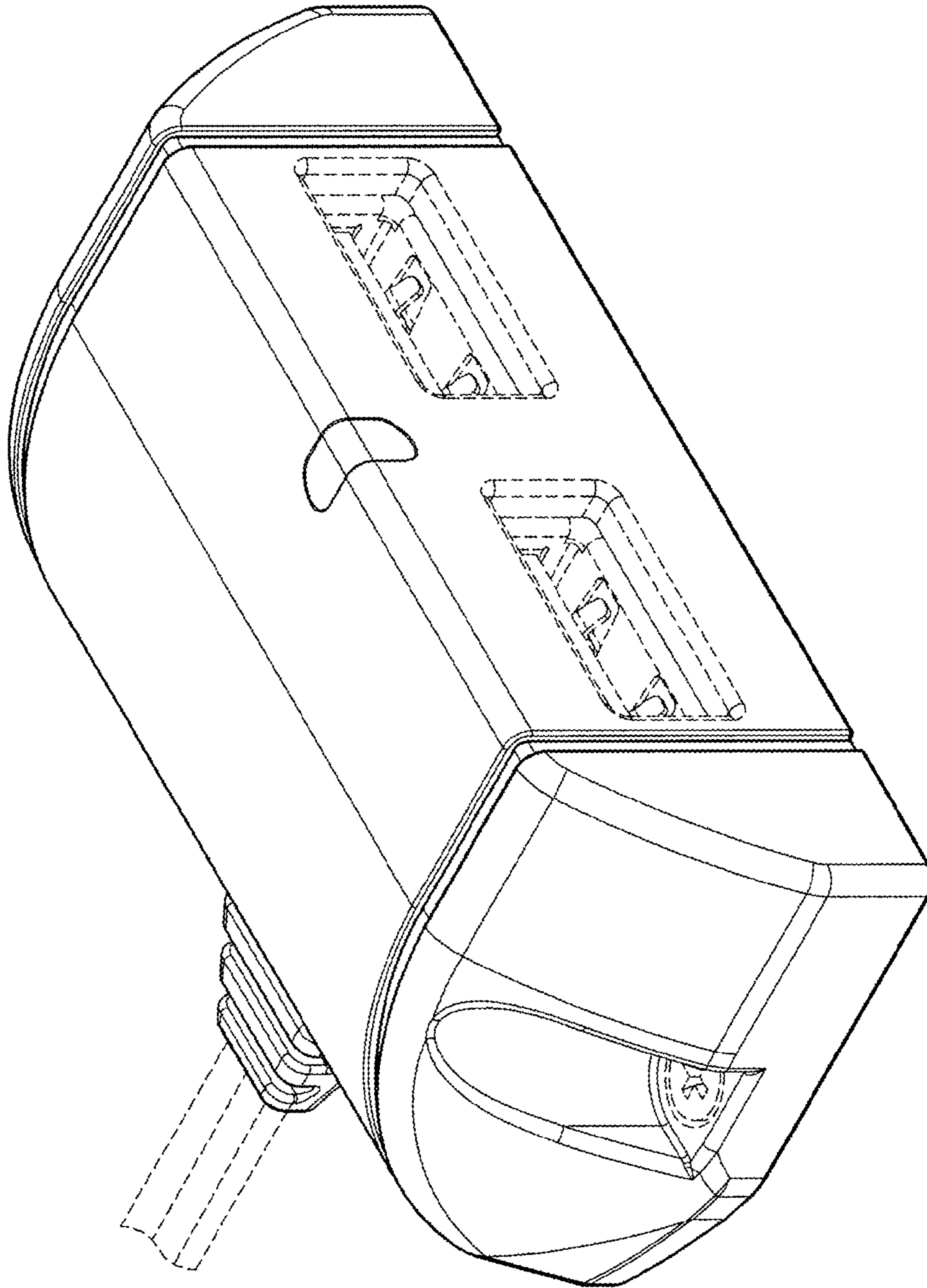


FIG. 1

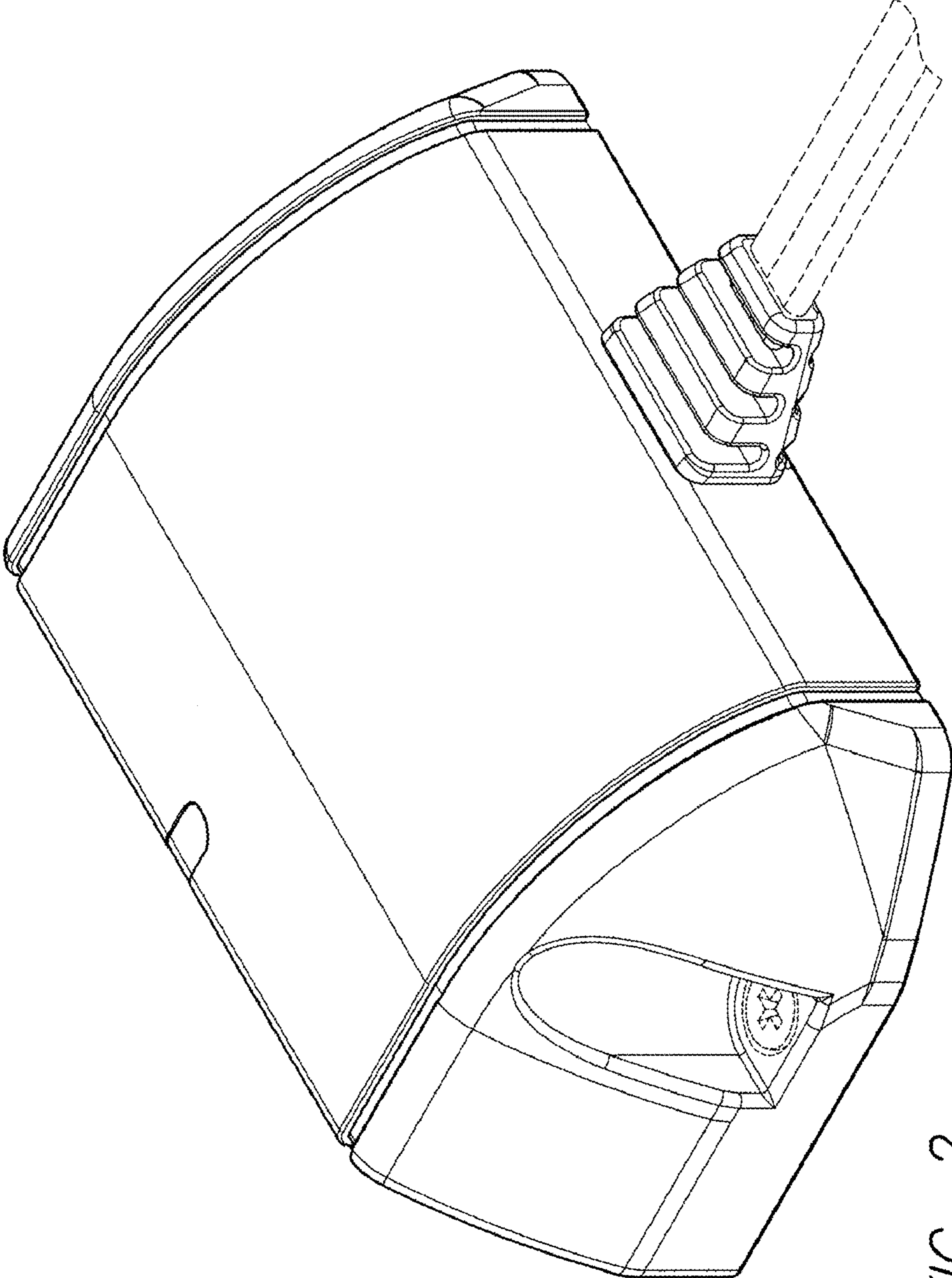


FIG. 2

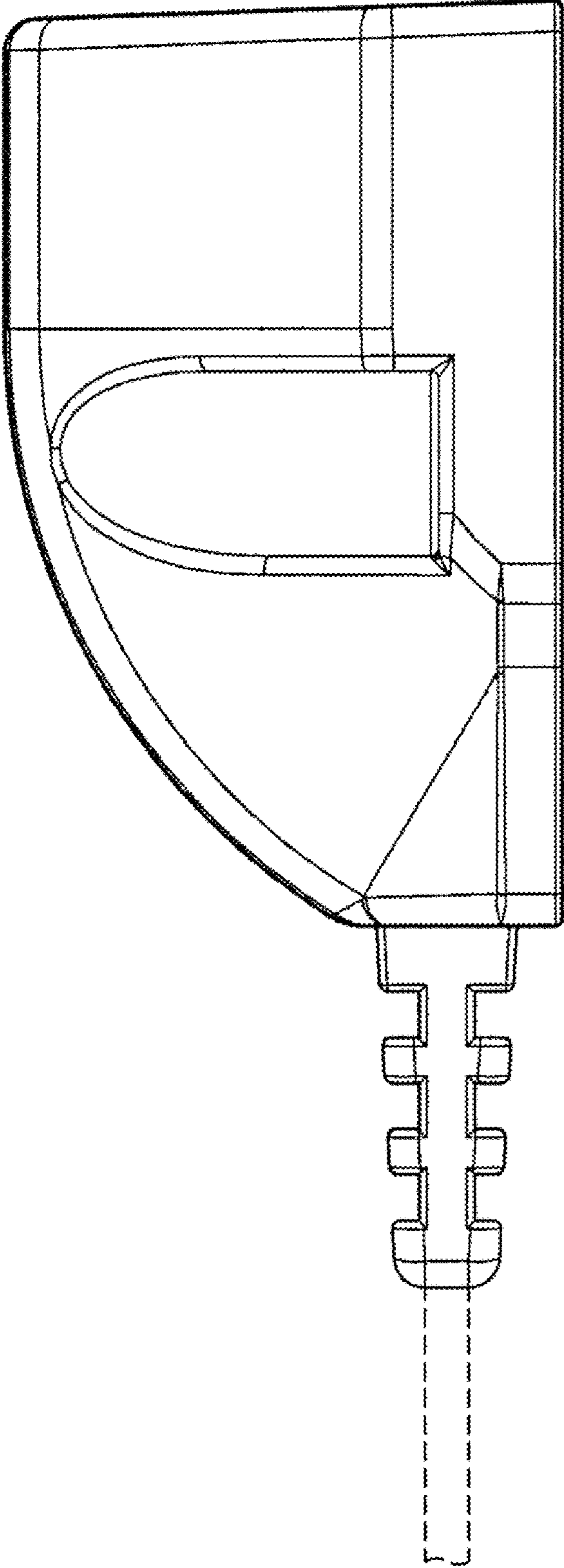


FIG. 3

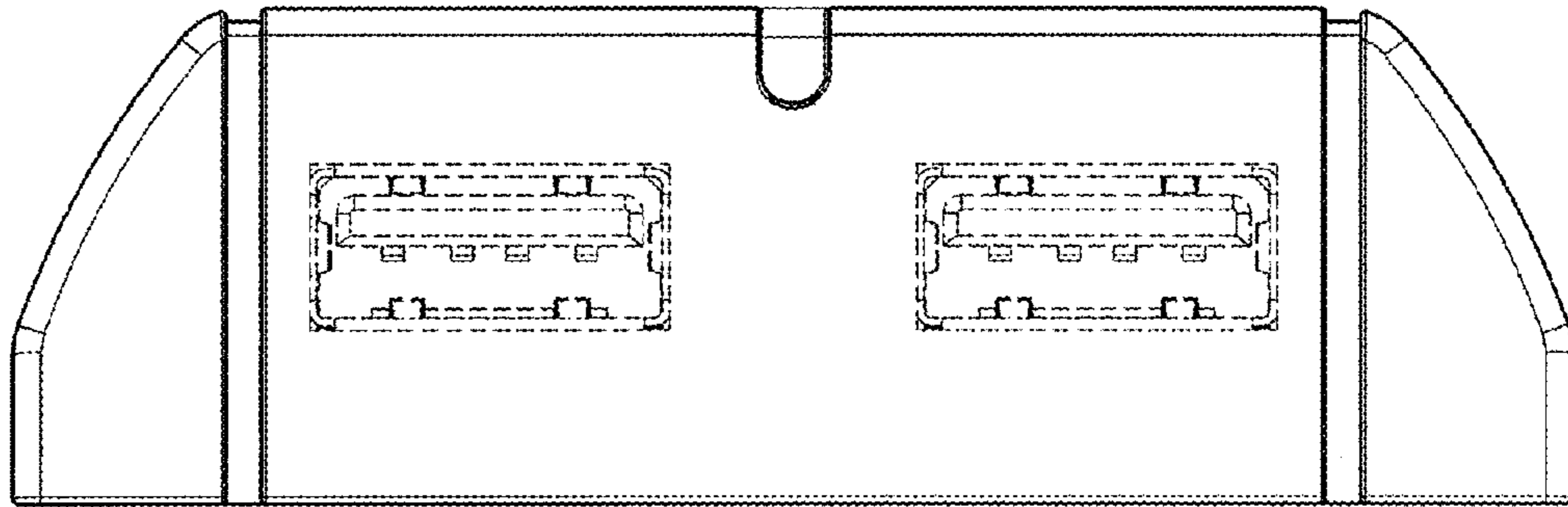


FIG. 4

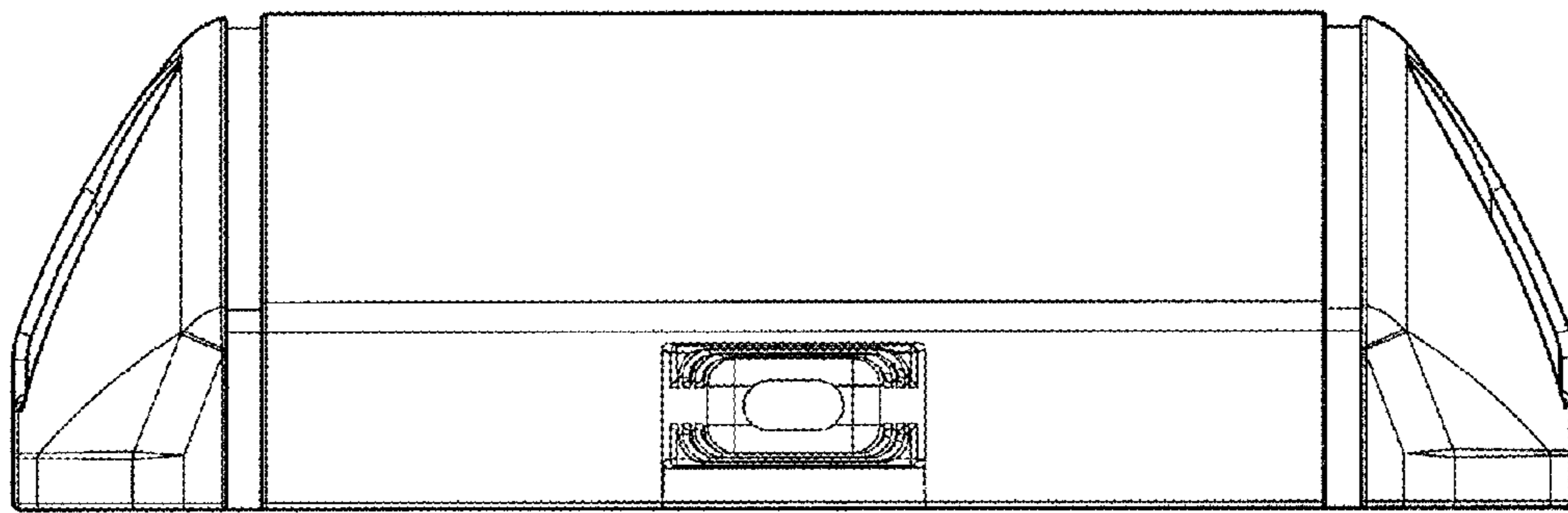


FIG. 5

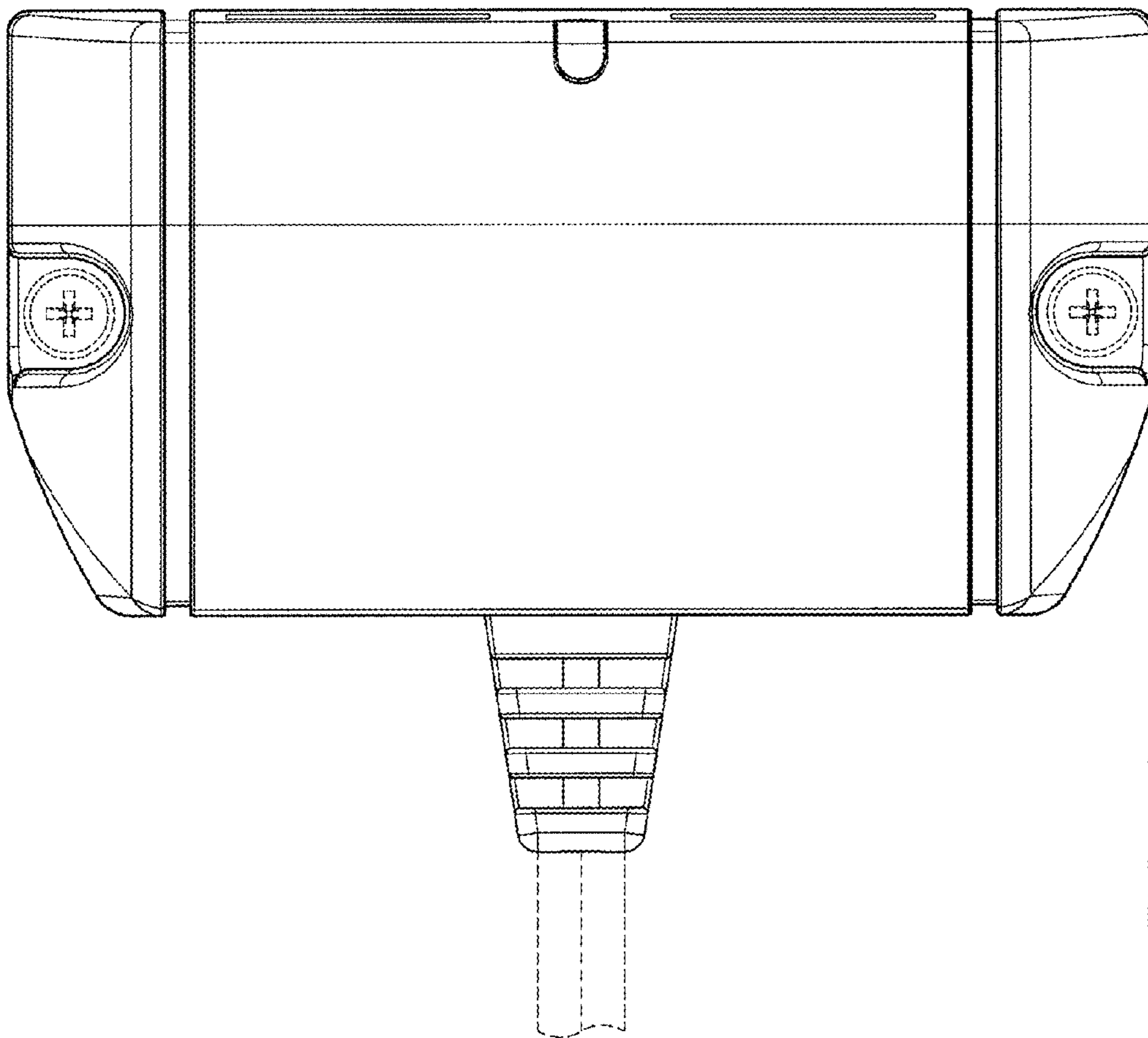


FIG. 6

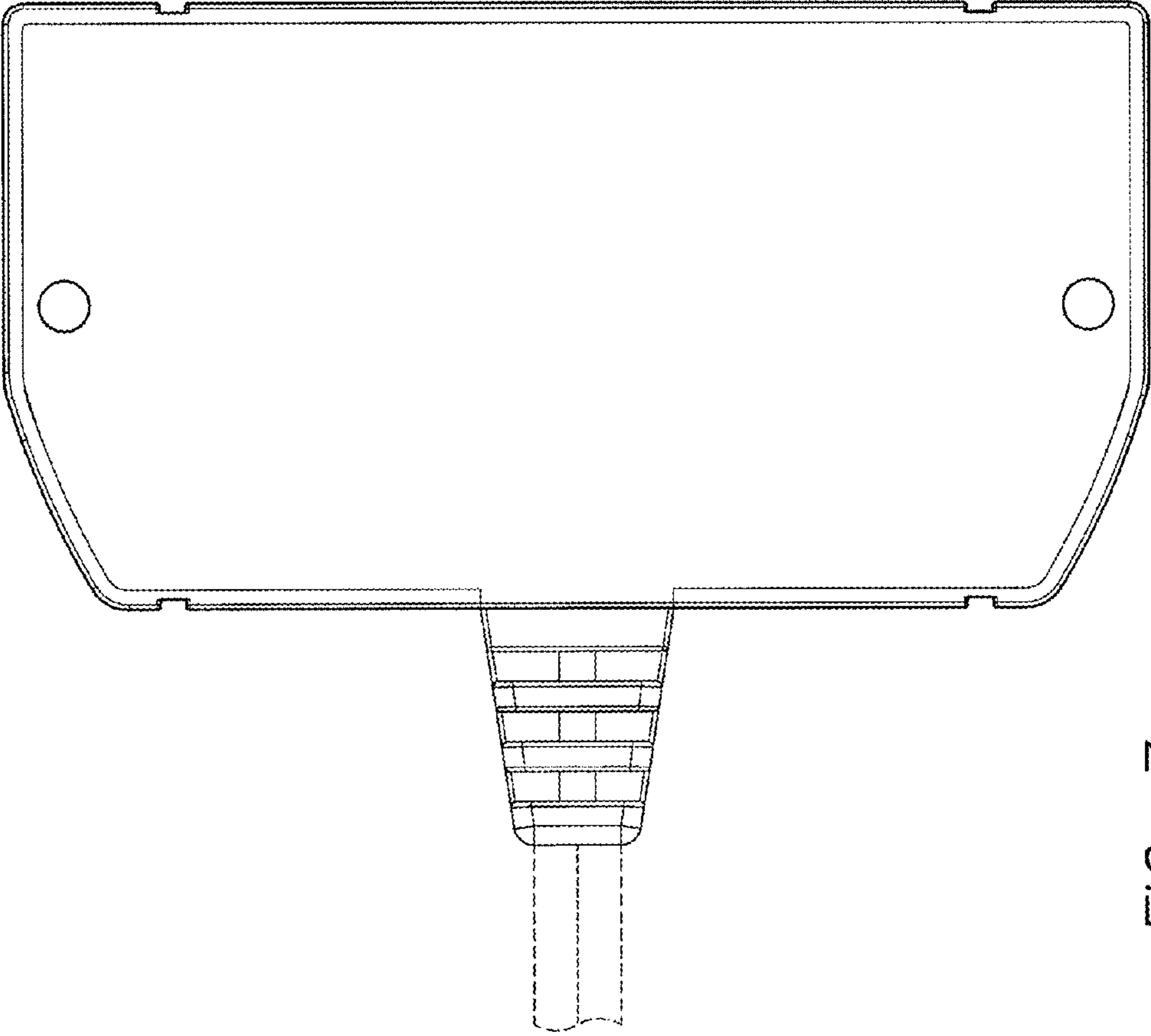


FIG. 7