



US00D676378S

(12) **United States Design Patent**
Kim et al.

(10) **Patent No.:** **US D676,378 S**
(45) **Date of Patent:** **** Feb. 19, 2013**

(54) **CHARGER FOR MOBILE COMMUNICATION
TERMINAL**

(75) Inventors: **Hae-Jin Kim**, Seoul (KR); **Dae-Joung Kim**, Seoul (KR); **Sang-Min Hyun**, Seoul (KR); **Soo-Jung Lee**, Hwaseong-si (KR)

(73) Assignee: **Samsung Electronics Co., Ltd.**, Suwon-si (KR)

(**) Term: **14 Years**

(21) Appl. No.: **29/420,934**

(22) Filed: **May 15, 2012**

(30) **Foreign Application Priority Data**

Jan. 31, 2012 (KR) 30-2012-0004364

(51) **LOC (9) Cl.** **13-02**

(52) **U.S. Cl.** **D13/108**

(58) **Field of Classification Search** D13/107-110,
D13/118-119, 184, 199; D14/251, 253,
D14/432, 434; 320/107-115

See application file for complete search history.

(56) **References Cited**

U.S. PATENT DOCUMENTS

D489,322	S	*	5/2004	Sawai et al.	D13/108
D606,490	S	*	12/2009	Sasada et al.	D13/107
D638,789	S	*	5/2011	Markowitz	D13/108
D640,194	S	*	6/2011	Kim et al.	D13/108
D640,977	S	*	7/2011	Videbaek	D13/108
D641,316	S	*	7/2011	Schneiderat	D13/107
D654,430	S	*	2/2012	Demers et al.	D13/107
2012/0161703	A1	*	6/2012	Gonzalez	320/109
2012/0181984	A1	*	7/2012	Okabayashi et al.	320/109

* cited by examiner

Primary Examiner — Rosemary K Tarcza

(74) *Attorney, Agent, or Firm* — Jefferson IP Law, LLP

(57) **CLAIM**

The ornamental design for charger for mobile communication terminal, as shown and described.

DESCRIPTION

FIG. 1 is a perspective view of charger for mobile communication terminal, showing a new design;
FIG. 2 is a front elevational view thereof;
FIG. 3 is a rear elevational view thereof;
FIG. 4 is a left side elevational view thereof;
FIG. 5 is a right side elevational view thereof;
FIG. 6 is a top plan view thereof; and,
FIG. 7 is a bottom plan view thereof.

1 Claim, 7 Drawing Sheets

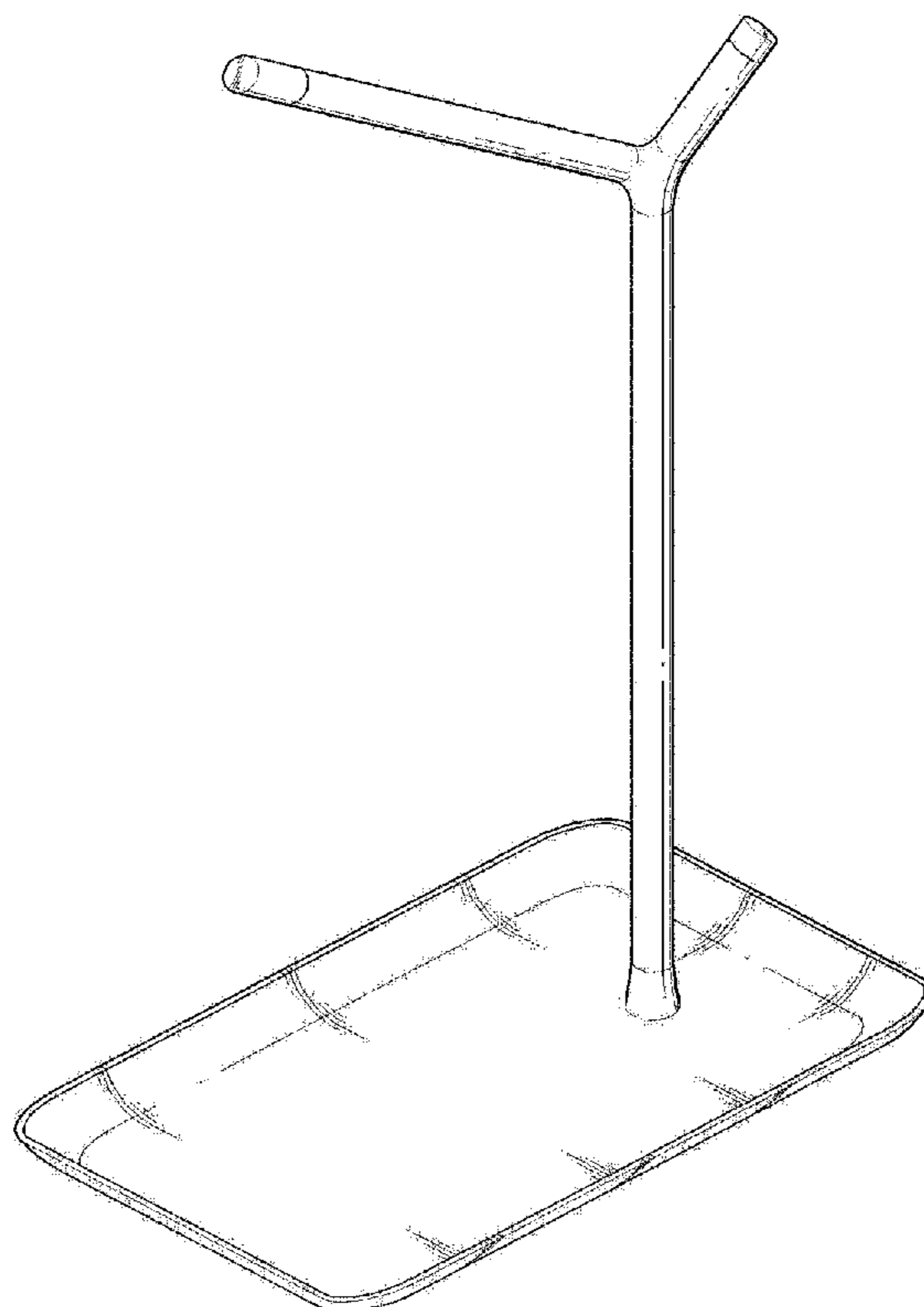


FIG. 1

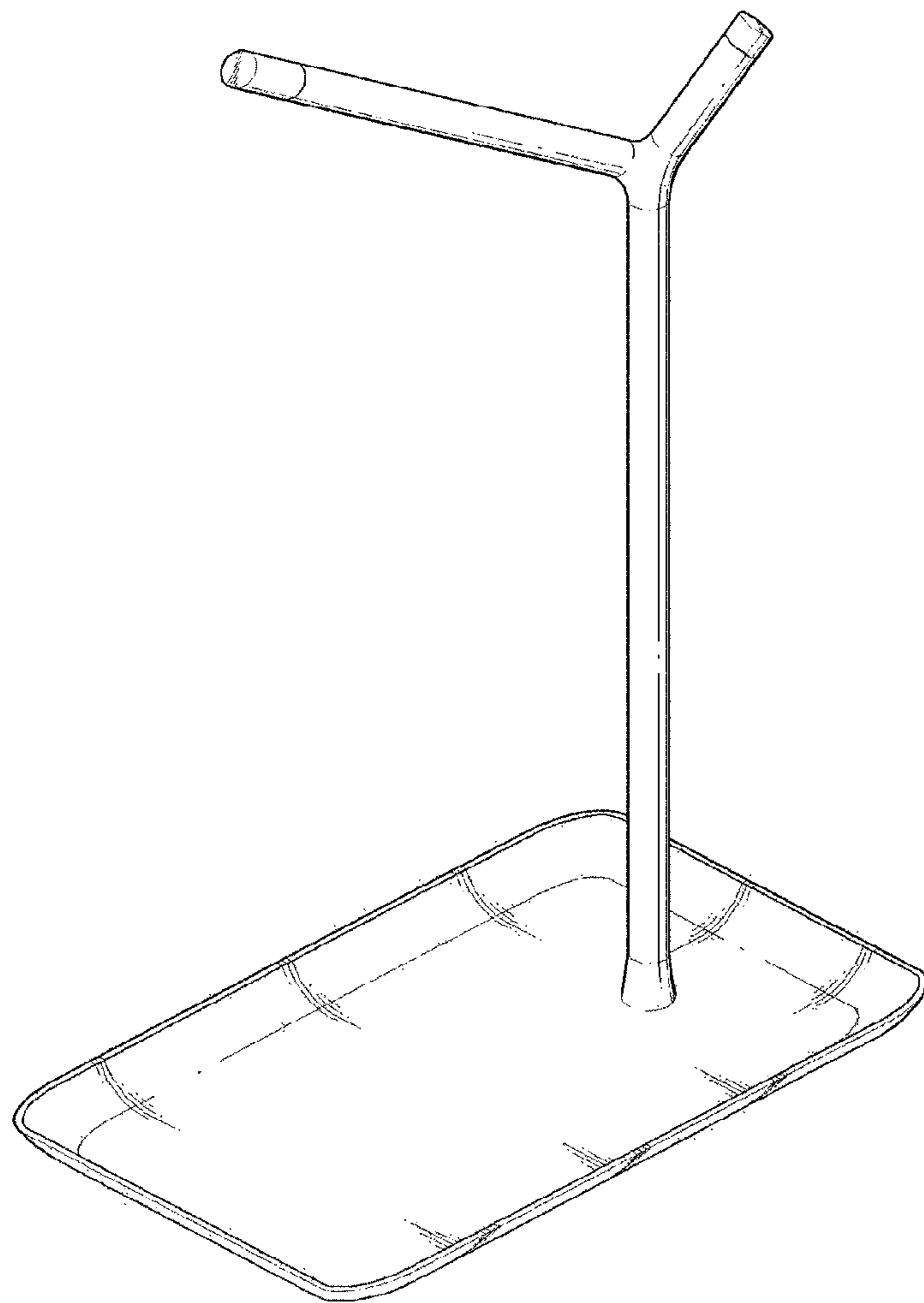


FIG. 2

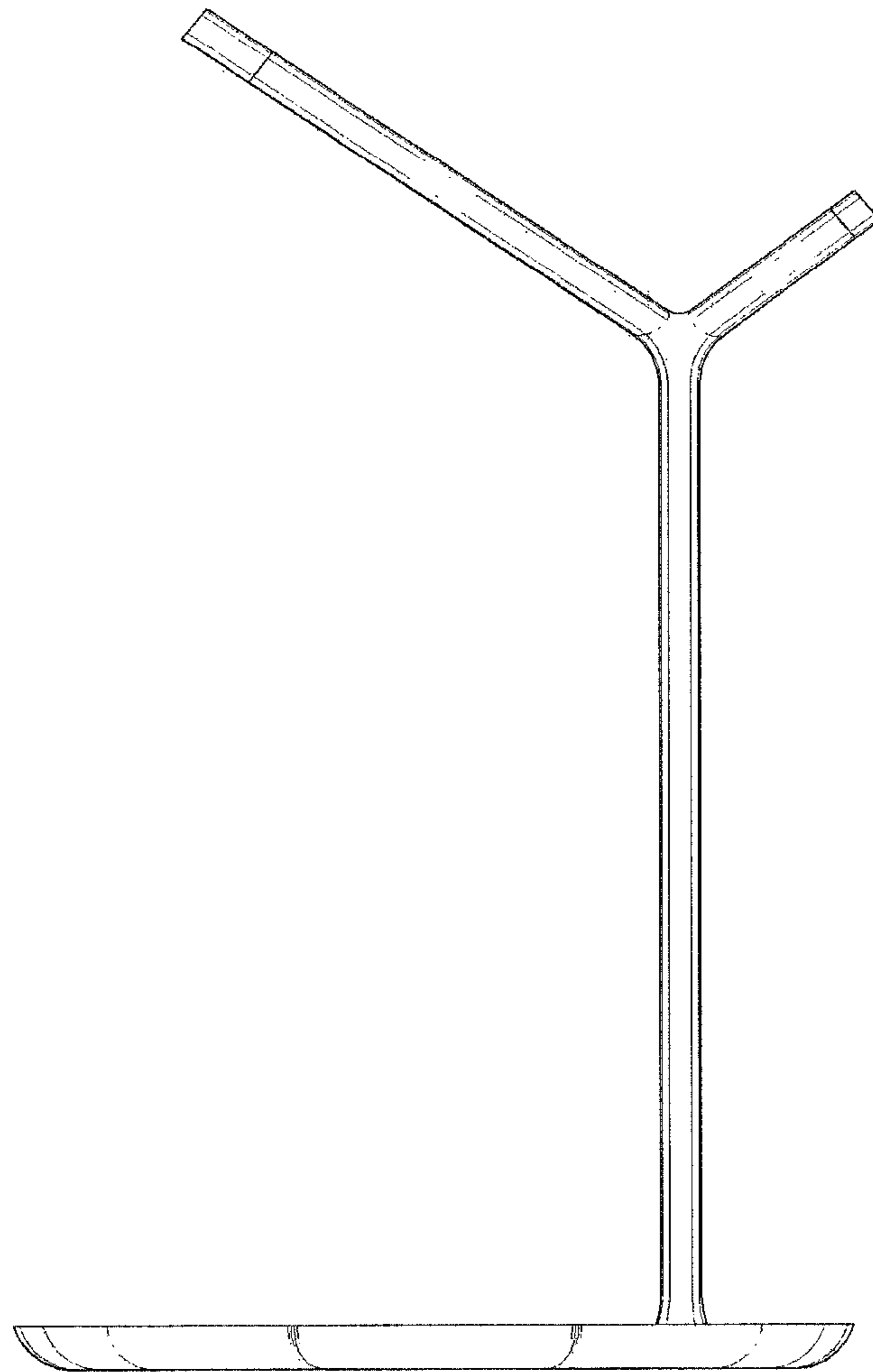


FIG. 3

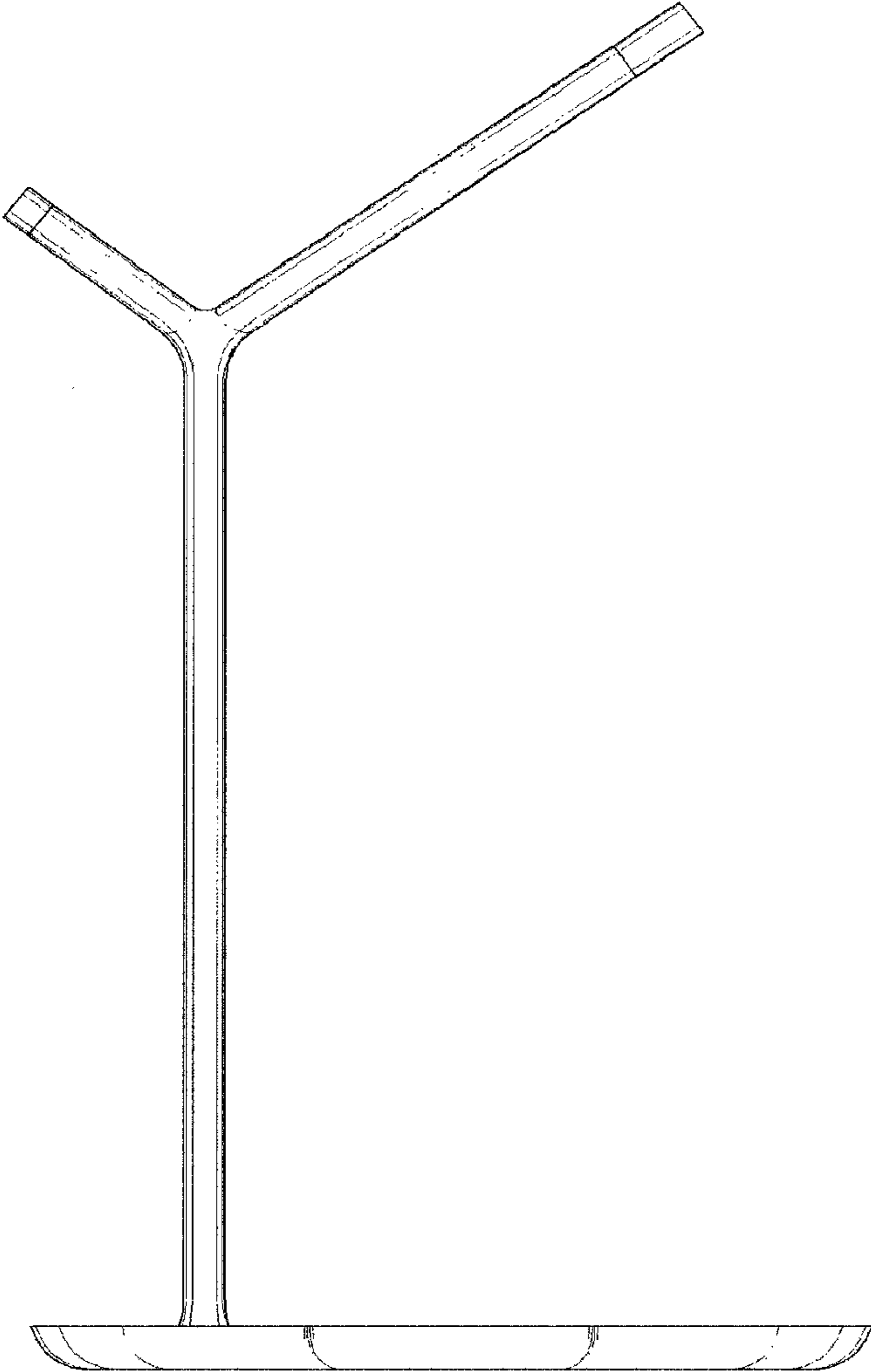


FIG. 4

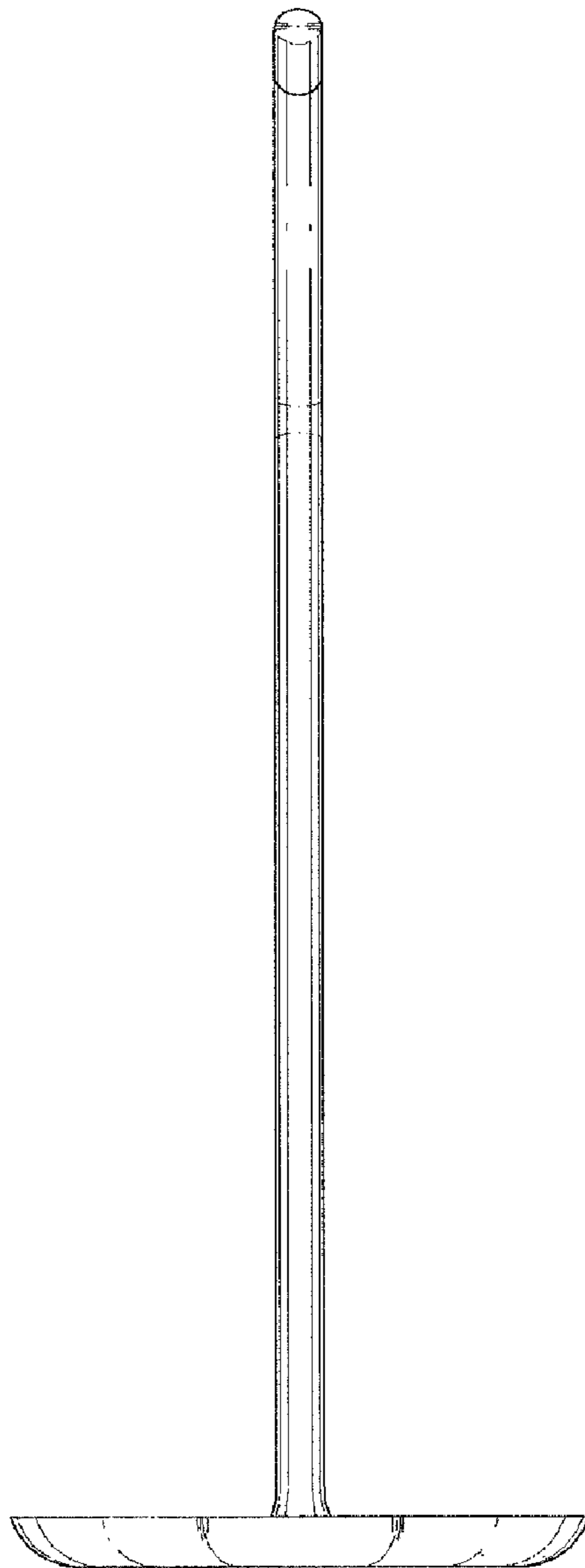


FIG. 5

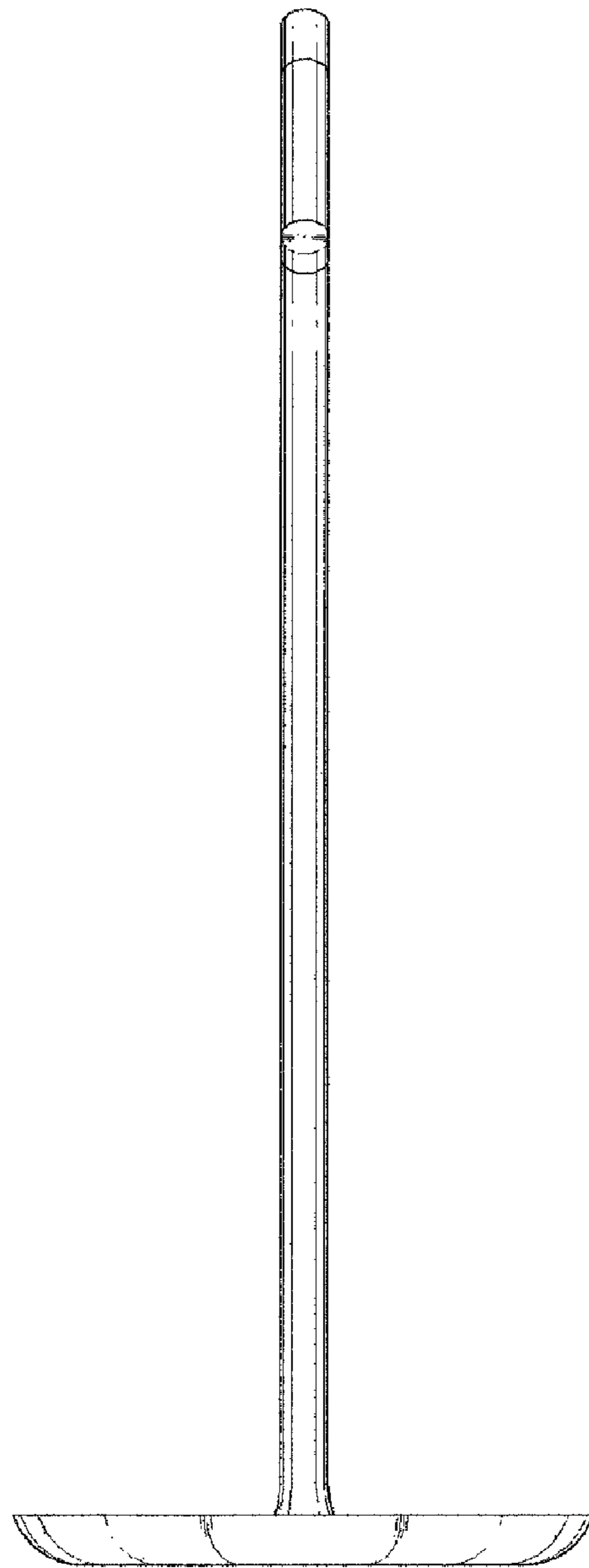


FIG. 6

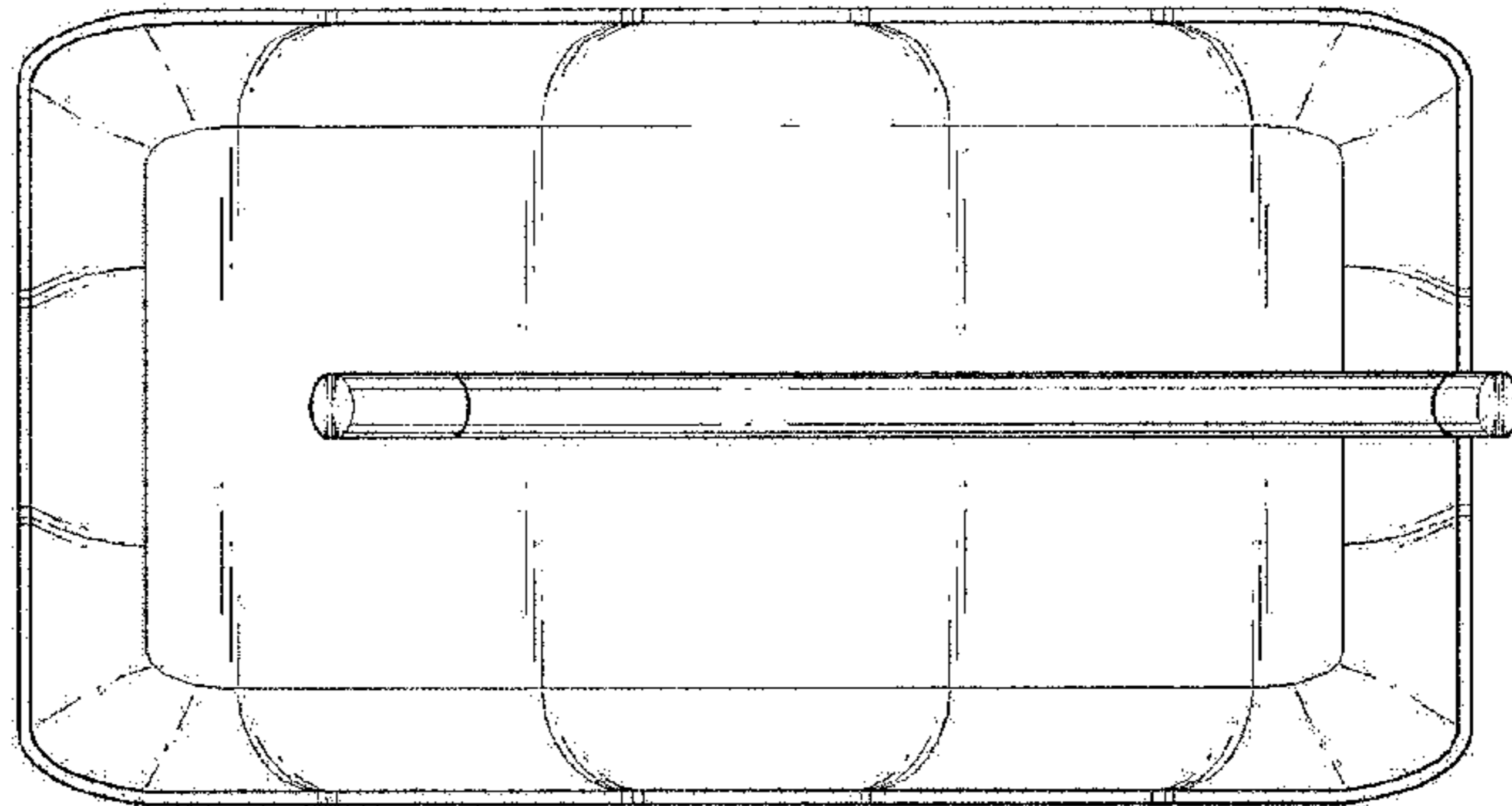


FIG. 7

