



US00D676377S

(12) **United States Design Patent**
Nokuo

(10) **Patent No.:** **US D676,377 S**

(45) **Date of Patent:** **** Feb. 19, 2013**

(54) **SUPPORTING BASE**

(75) Inventor: **Taichi Nokuo**, Tokyo (JP)

(73) Assignee: **Sony Computer Entertainment Inc.**,
Tokyo (JP)

(**) Term: **14 Years**

(21) Appl. No.: **29/371,212**

(22) Filed: **Nov. 29, 2010**

(30) **Foreign Application Priority Data**

Jun. 14, 2010 (JP) D2010-014542

(51) **LOC (9) Cl.** **13-02**

(52) **U.S. Cl.** **D13/108**

(58) **Field of Classification Search** D13/107-108,
D13/110, 118-119, 184, 199; D14/251,
D14/253, 432, 434, 217, 240; 320/107-115

See application file for complete search history.

(56) **References Cited**

U.S. PATENT DOCUMENTS

D388,764 S	1/1998	Bartling et al.	
D411,166 S	6/1999	Uemura et al.	
D442,939 S *	5/2001	Goldenburg	D14/191
D453,731 S *	2/2002	Hauptli	D13/108
D486,787 S *	2/2004	Krieger et al.	D13/108
D495,336 S	8/2004	Andre et al.	
D508,458 S *	8/2005	Solland et al.	D13/108
D521,927 S *	5/2006	Franck et al.	D13/108
D524,282 S *	7/2006	Beasley et al.	D14/149
D552,598 S	10/2007	Bart	
D553,123 S	10/2007	Solland	
D558,739 S	1/2008	Andre et al.	

D561,097 S *	2/2008	Koeske	D13/119
D578,473 S *	10/2008	Okuda et al.	D13/107
D610,128 S *	2/2010	Andre et al.	D14/217
D648,707 S *	11/2011	Akana et al.	D14/217
D653,206 S *	1/2012	Heine et al.	D13/108

FOREIGN PATENT DOCUMENTS

GB	2068542	12/1997
GB	3016589	4/2004

OTHER PUBLICATIONS

Office Action of Substantive Examination for Russian patent application No. 2010503511 dated Sep. 20, 2011.

* cited by examiner

Primary Examiner — Rosemary K Tarcza

(74) *Attorney, Agent, or Firm* — Rader Fishman & Grauer PLLC

(57) **CLAIM**

The ornamental design for a supporting base, as shown and described.

DESCRIPTION

FIG. 1 is a front elevational view of a supporting base showing my new design;

FIG. 2 is a rear elevational view thereof;

FIG. 3 is a right side elevational view thereof, a left side elevational view thereof being a mirror image;

FIG. 4 is a top plan view thereof;

FIG. 5 is a bottom plan view thereof;

FIG. 6 is a front, top, right perspective view thereof; and,

FIG. 7 is a rear, bottom, right perspective view thereof.

The portions in broken lines are for illustrative purposes only and form no part of the claimed design.

1 Claim, 7 Drawing Sheets

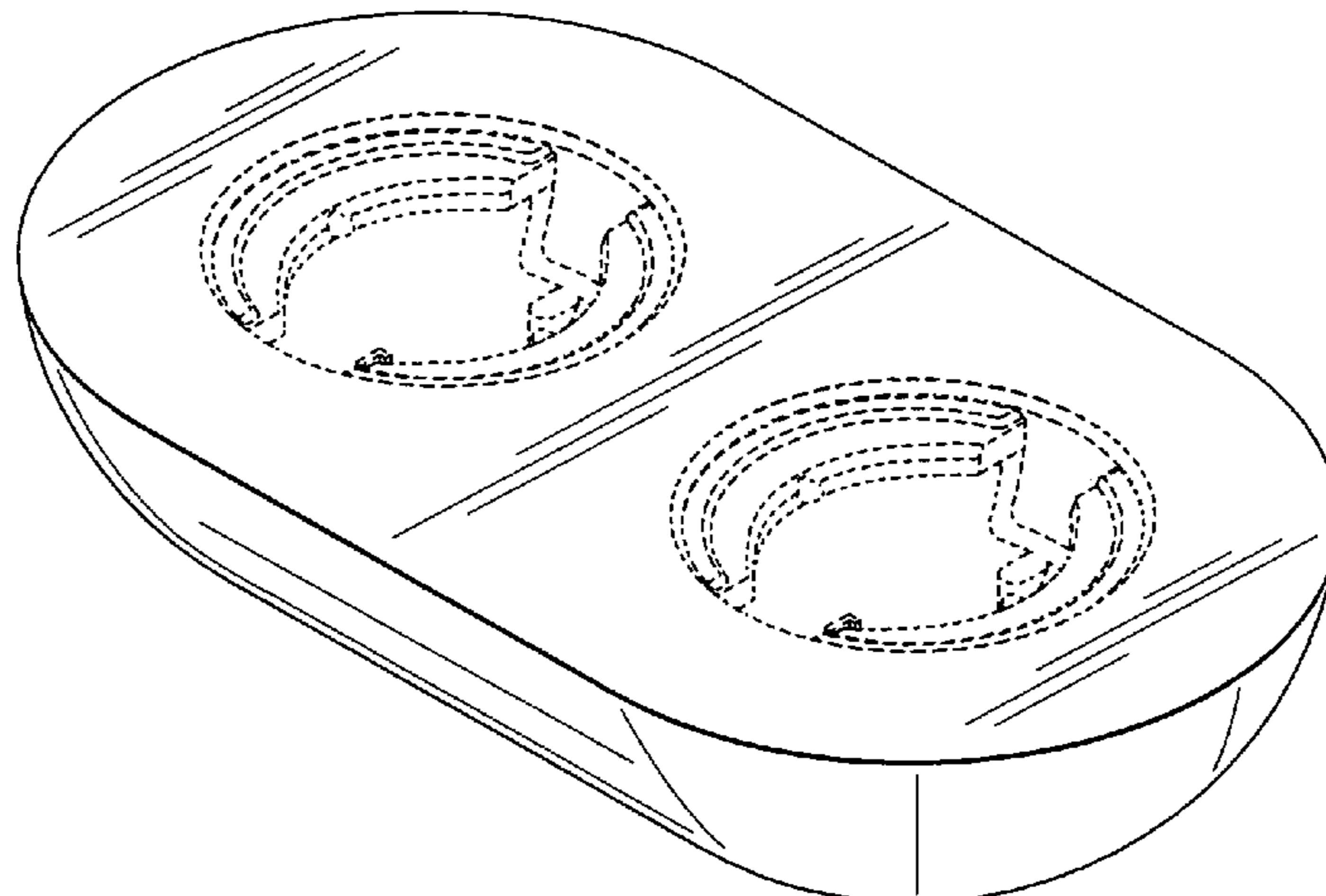


FIG.1

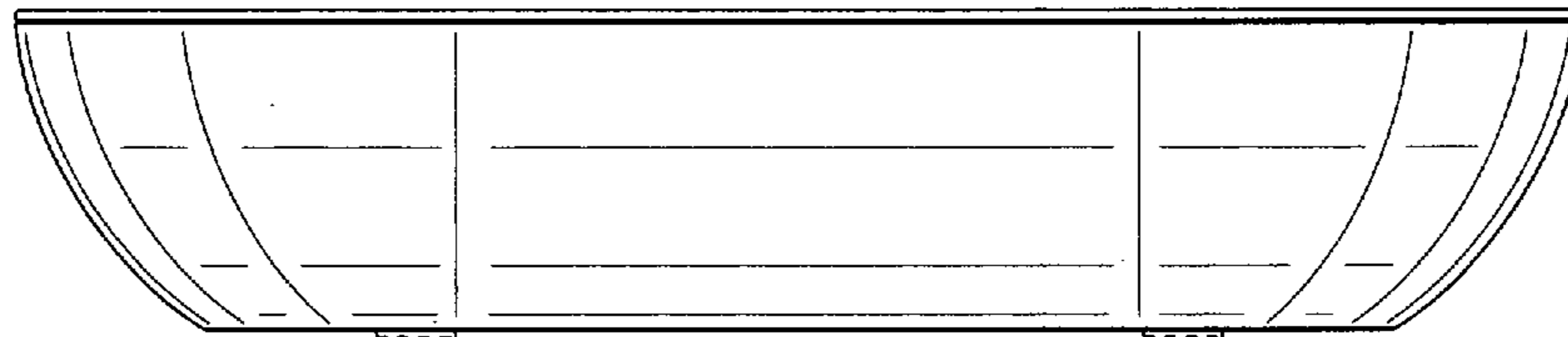


FIG.2

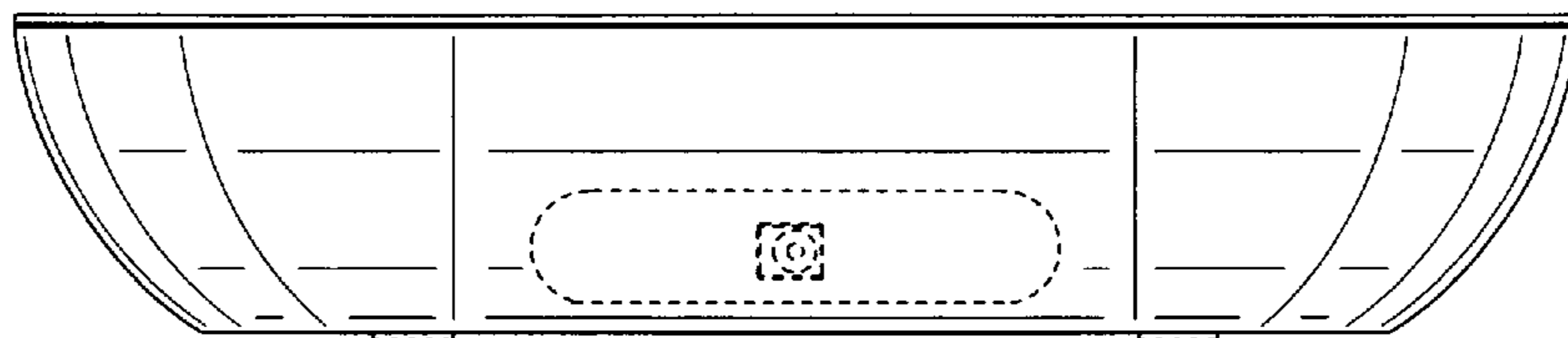


FIG.3

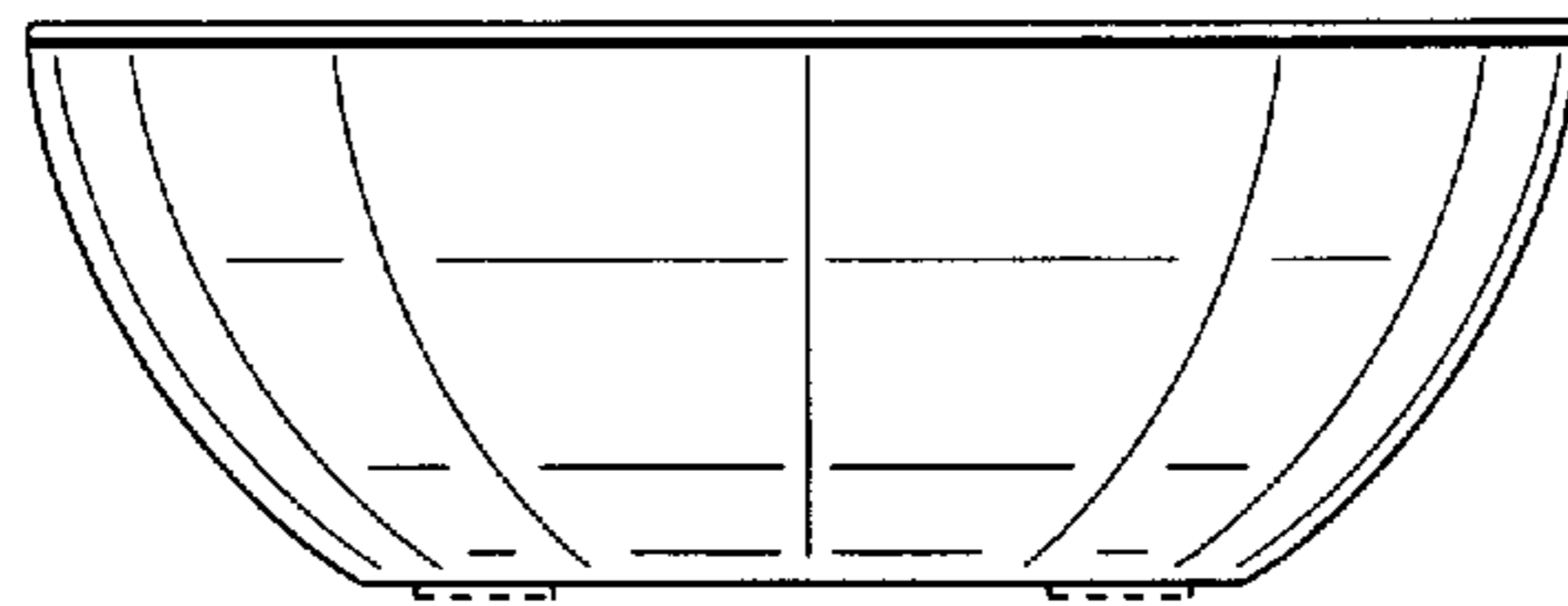


FIG.4

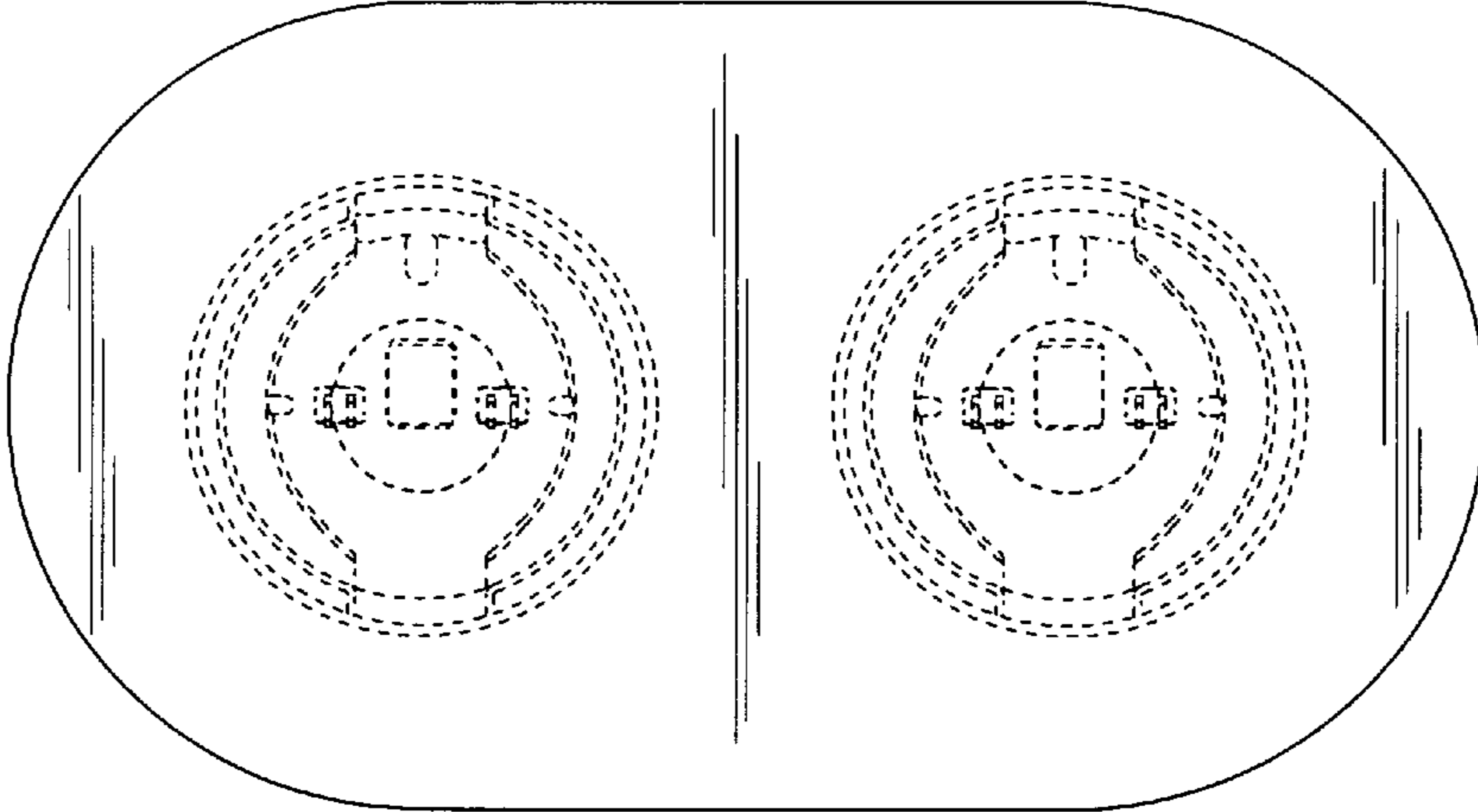


FIG.5

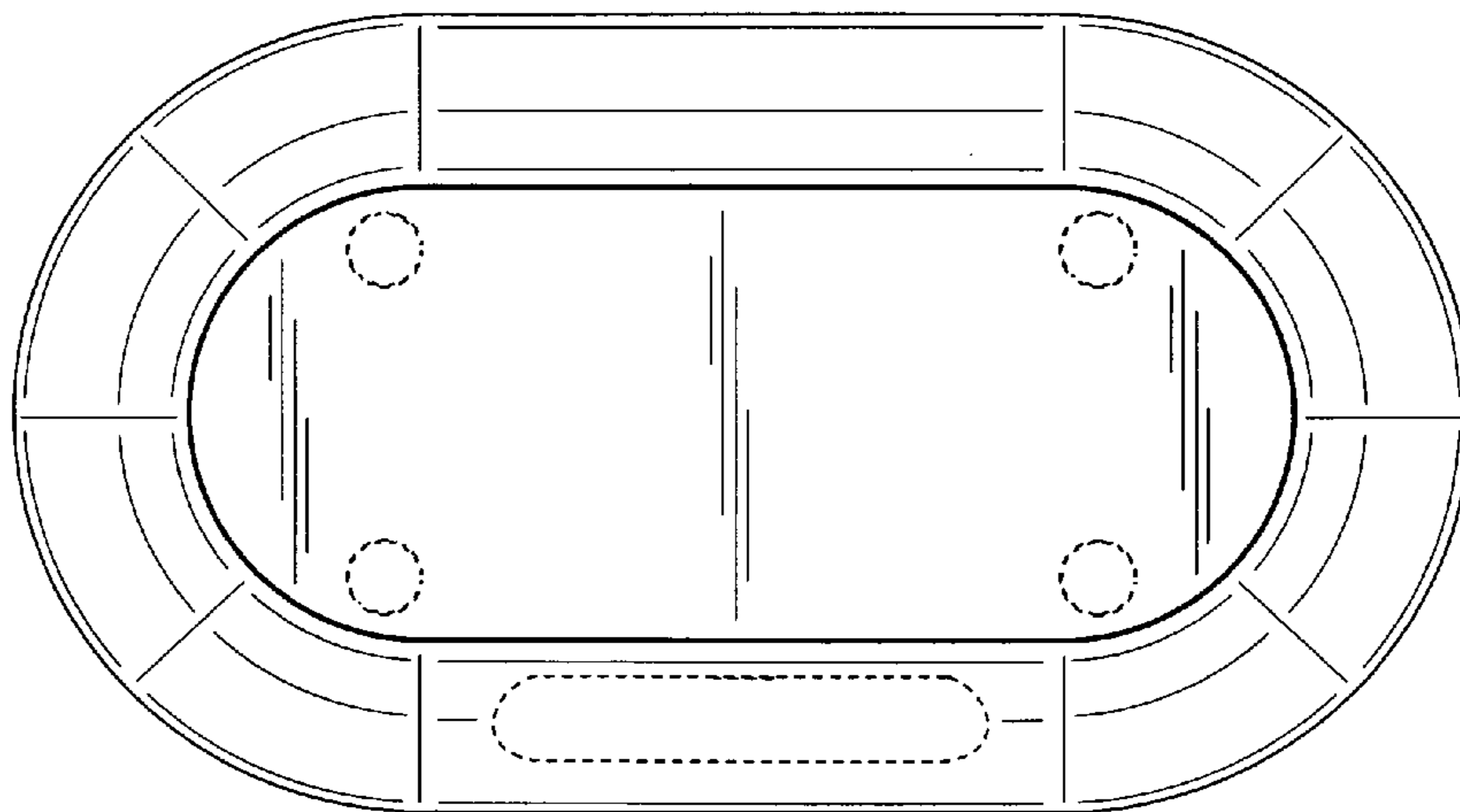


FIG.6

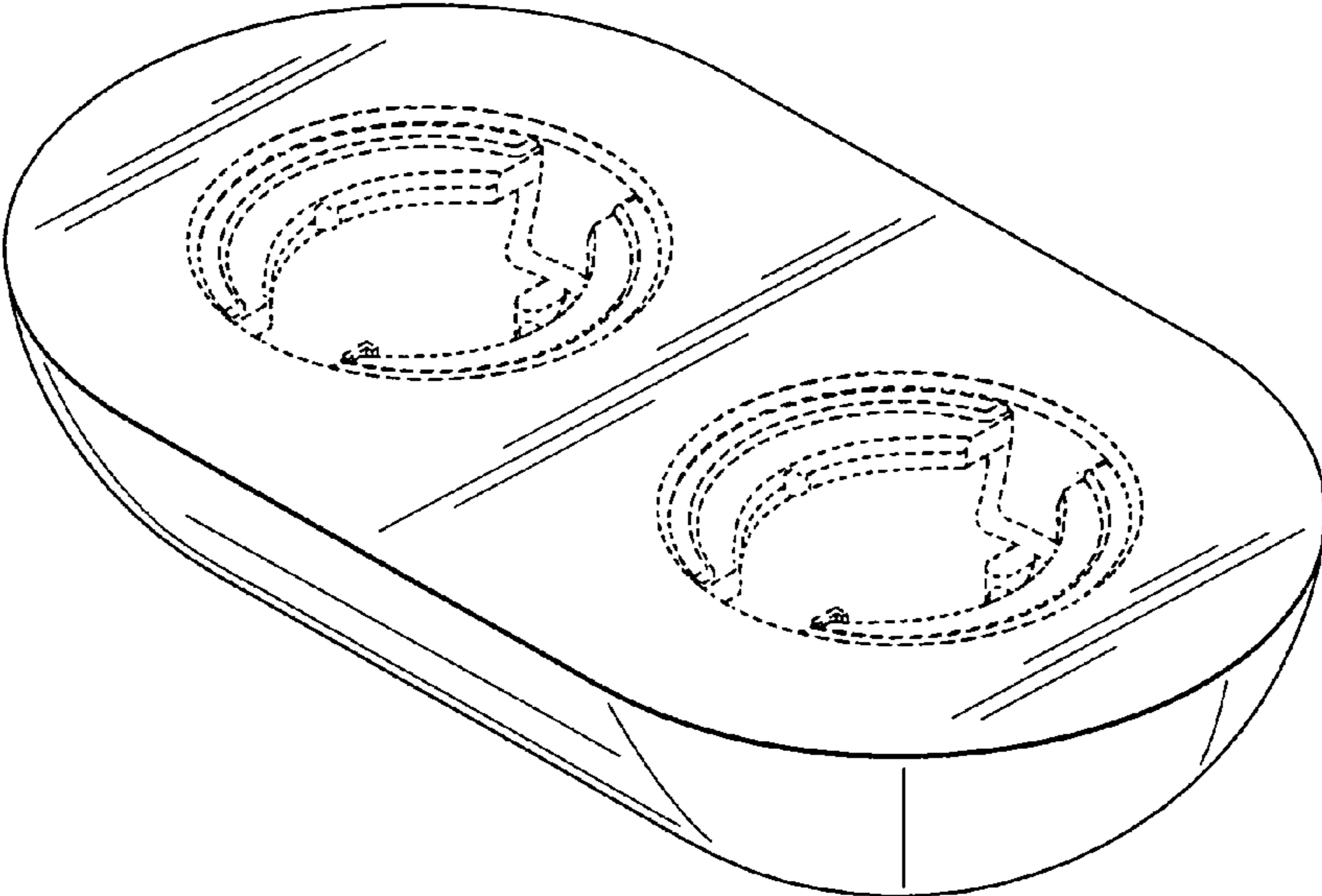


FIG.7

