



US00D676376S

(12) **United States Design Patent**
Yamada et al.

(10) **Patent No.:** **US D676,376 S**
(45) **Date of Patent:** **** Feb. 19, 2013**

(54) **ELECTRIC VEHICLE CHARGING STATION**

D664,086 S * 7/2012 Chin-Ho Kim et al. D13/107
D664,087 S * 7/2012 Chin-Ho Kim et al. D13/107
D664,089 S * 7/2012 Chin-Ho Kim et al. D13/107

(75) Inventors: **Kenji Yamada**, Sayama (JP); **Yoshio Aoki**, Chichibu (JP)

FOREIGN PATENT DOCUMENTS

(73) Assignee: **Shindengen Electric Manufacturing Co., Ltd.**, Tokyo (JP)

JP 1416897 S 6/2011

* cited by examiner

(**) Term: **14 Years**

Primary Examiner — Rosemary K Tarcza

(21) Appl. No.: **29/428,661**

(57) **CLAIM**

The ornamental design for an electric vehicle charging station, as shown and described.

(22) Filed: **Aug. 2, 2012**

DESCRIPTION

(51) **LOC (9) Cl.** **13-02**

(52) **U.S. Cl.** **D13/107**

(58) **Field of Classification Search** D13/106–110,
D13/118–119, 184, 199; D15/9; 320/103–115
See application file for complete search history.

FIG. 1 is a perspective view of an electric vehicle charging station showing our new design;
FIG. 2 is a front elevational view thereof;
FIG. 3 is a rear elevational view thereof;
FIG. 4 is a right side elevational view thereof;
FIG. 5 is a left side elevational view thereof;
FIG. 6 is a top plan view thereof; and
FIG. 7 is a bottom plan view thereof.
FIG. 8 is a reference cross-sectional view taken along a line 8-8 of FIG. 2; and,
FIG. 9 is a reference cross-sectional view taken along a line 9-9 of FIG. 2.

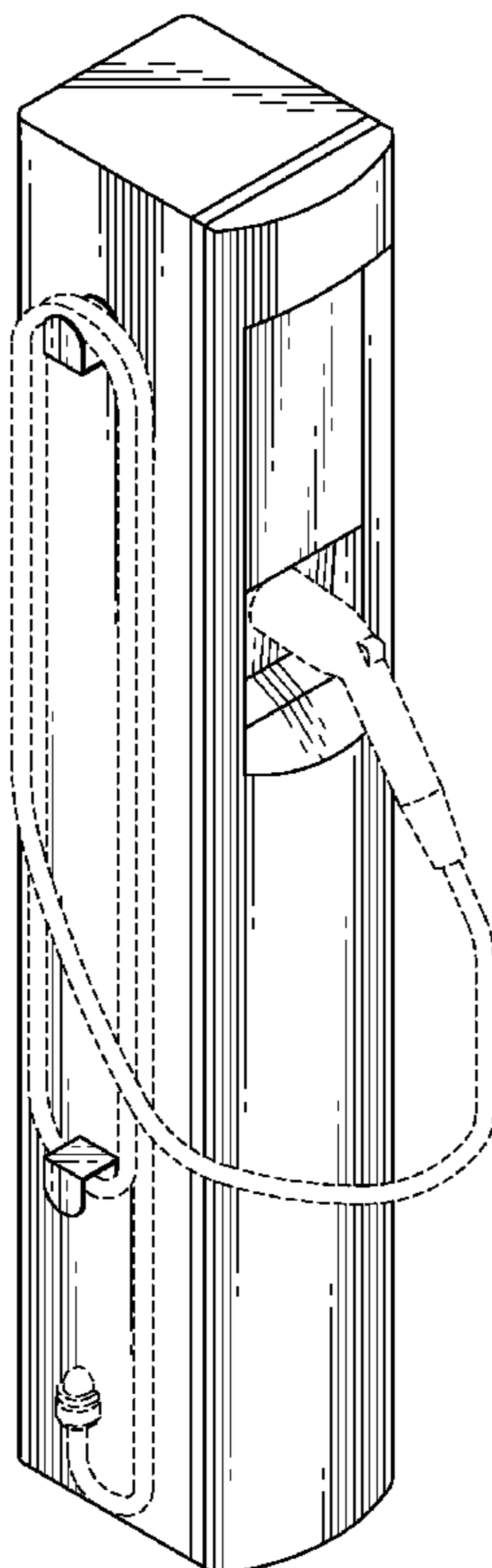
Broken lines are shown for illustrative purposes only and form no part of the claimed design.

(56) **References Cited**

U.S. PATENT DOCUMENTS

5,461,299	A	*	10/1995	Bruni	320/108
D608,731	S	*	1/2010	Amit	D13/107
D613,683	S	*	4/2010	Baxter et al.	D13/107
D629,747	S	*	12/2010	Rajakaruna	D13/107
D647,053	S	*	10/2011	Gotou et al.	D13/107
D654,860	S	*	2/2012	Holthusen	D13/107
D659,635	S	*	5/2012	Hou et al.	D13/107
D662,045	S	*	6/2012	Gotou et al.	D13/107

1 Claim, 8 Drawing Sheets



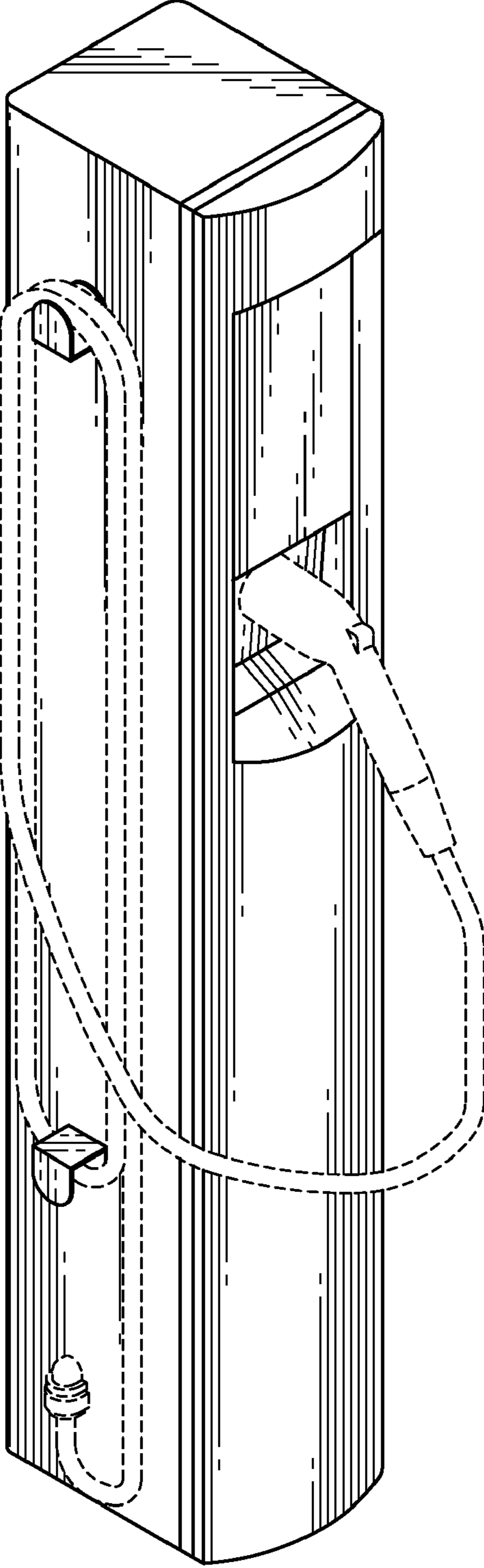


FIG. 1

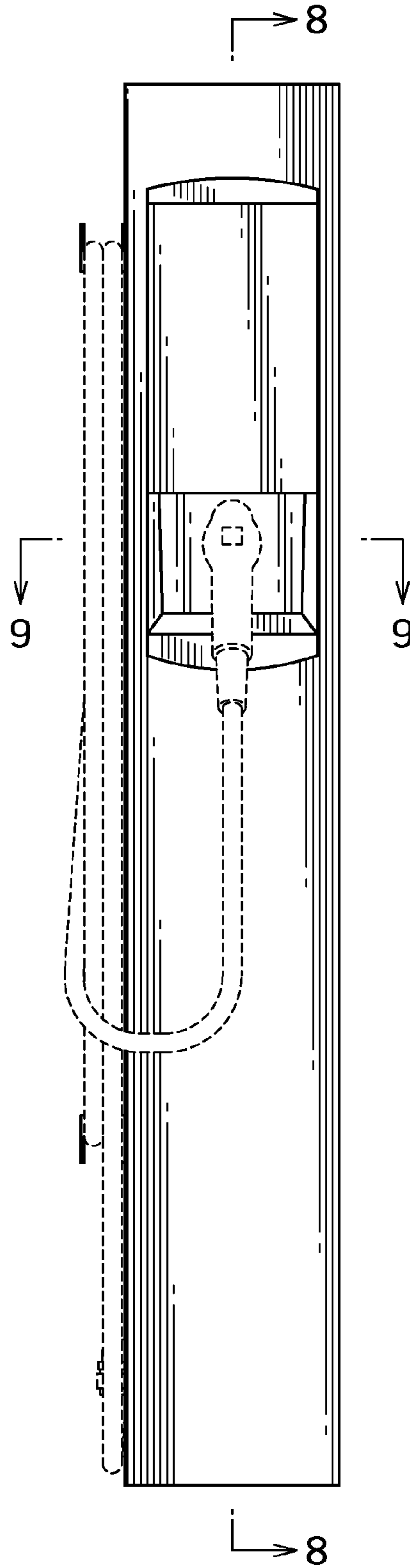


FIG. 2

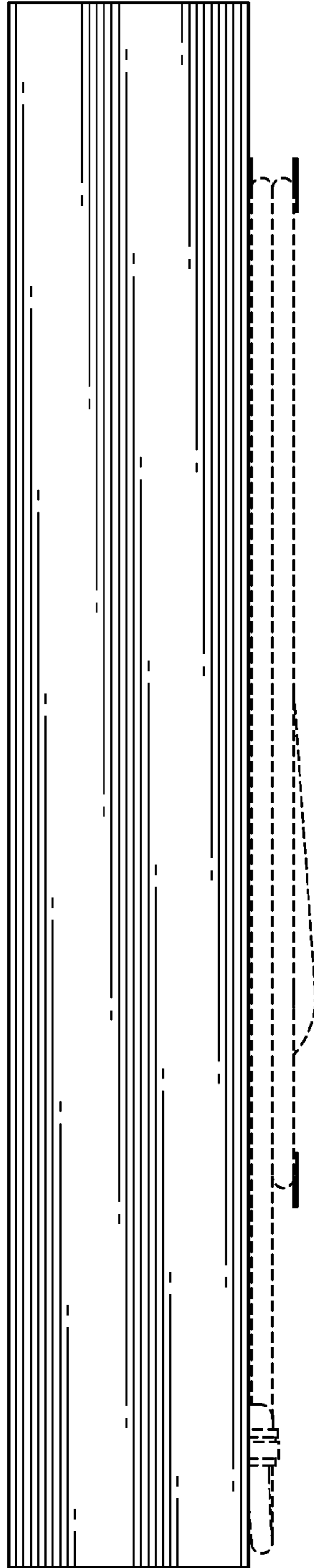


FIG. 3

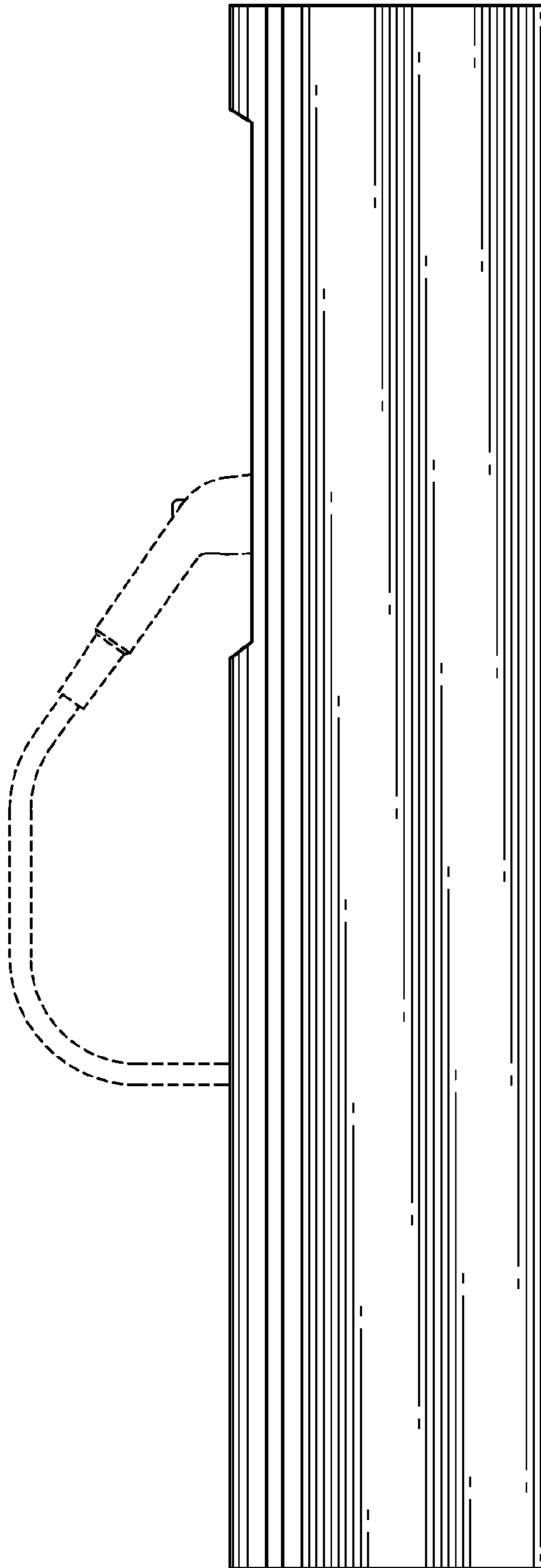


FIG. 4

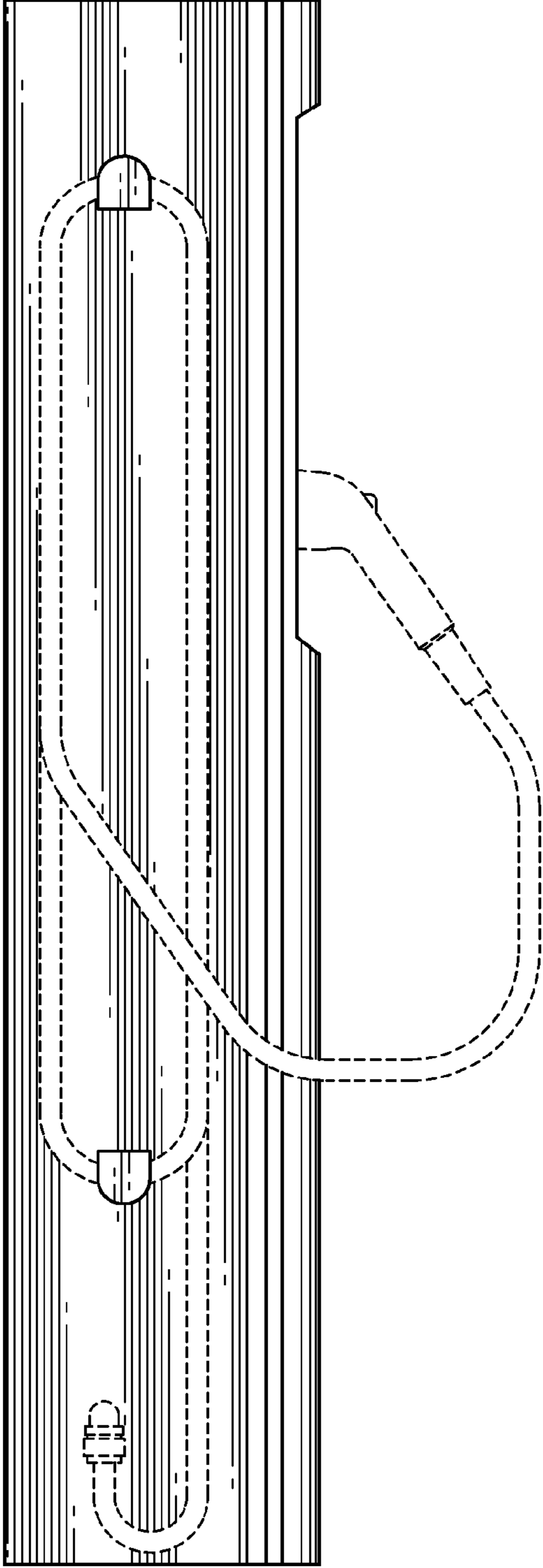


FIG. 5

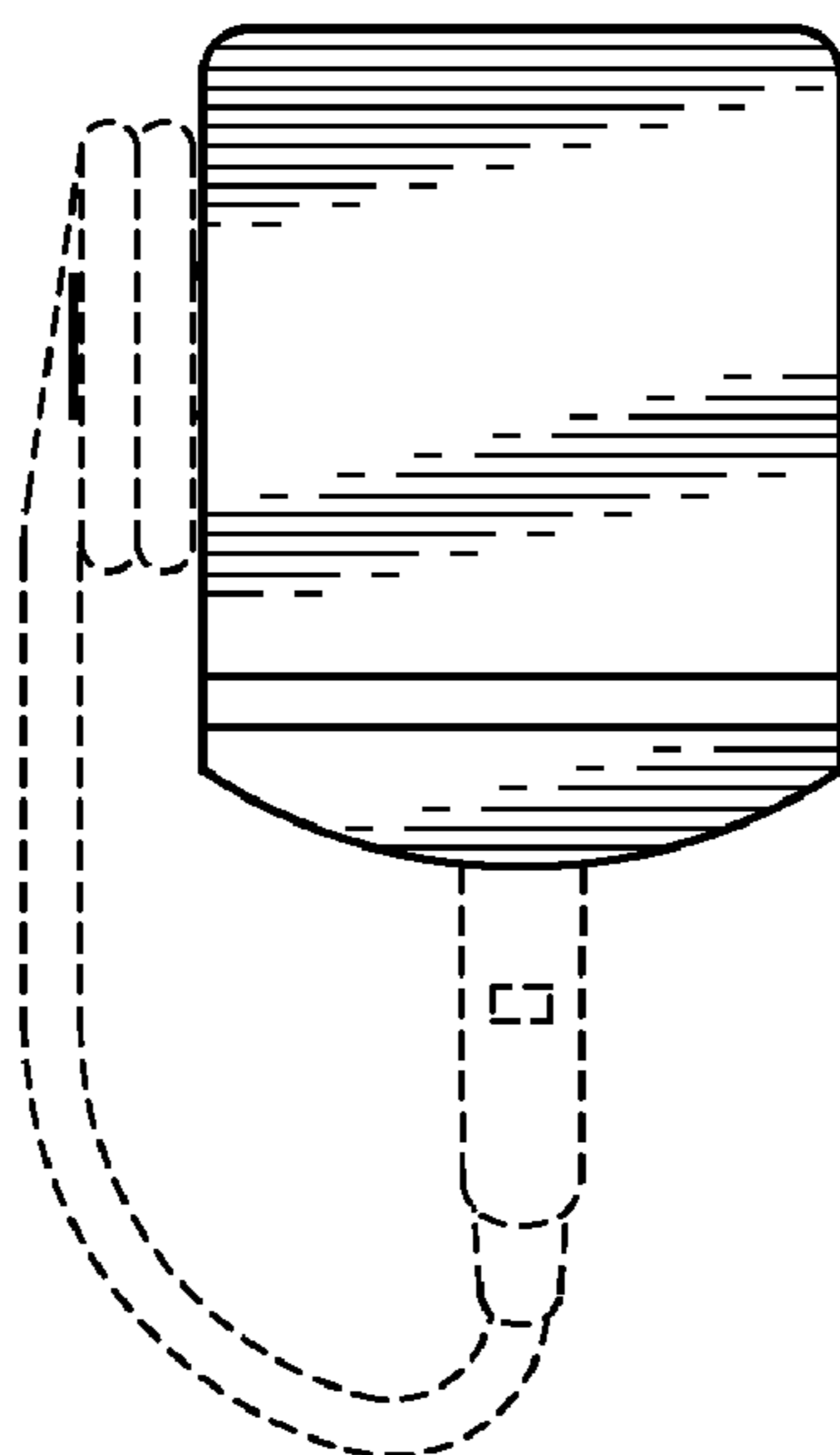


FIG. 6

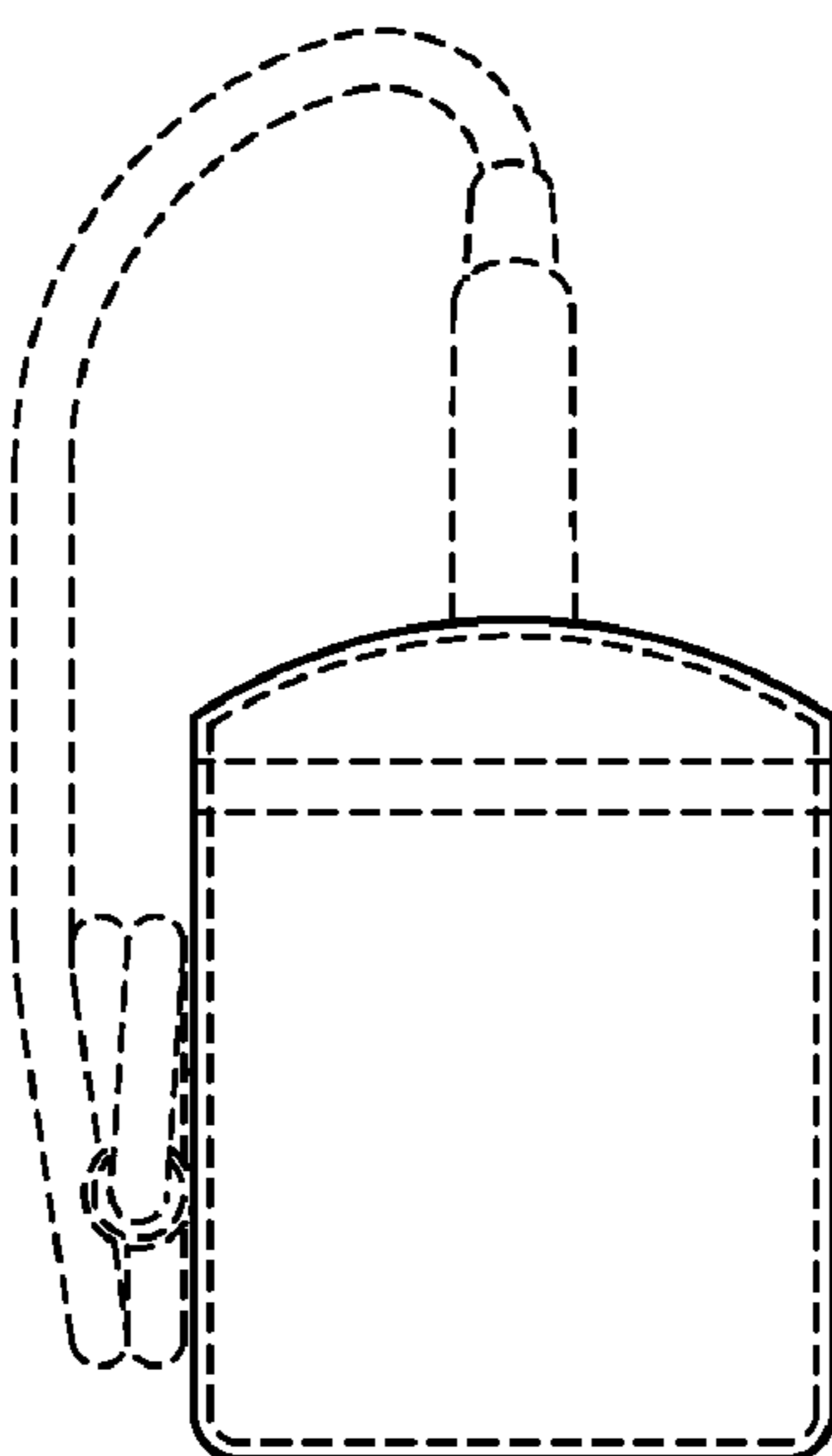


FIG. 7

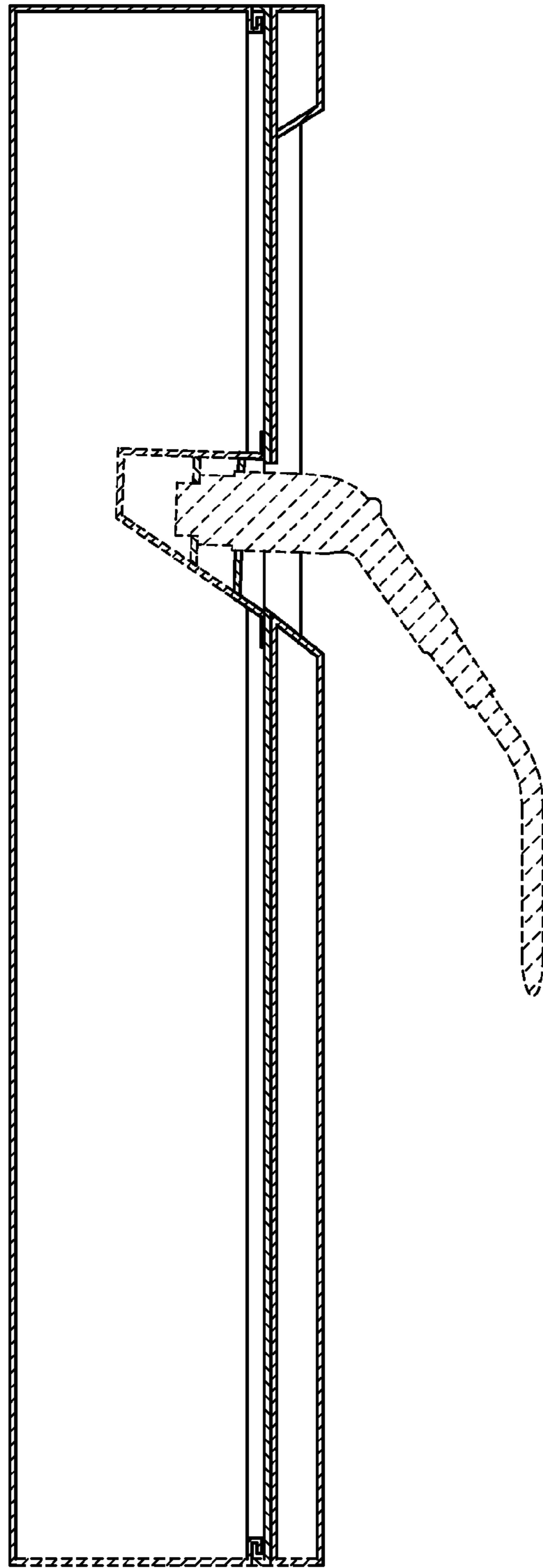


FIG. 8

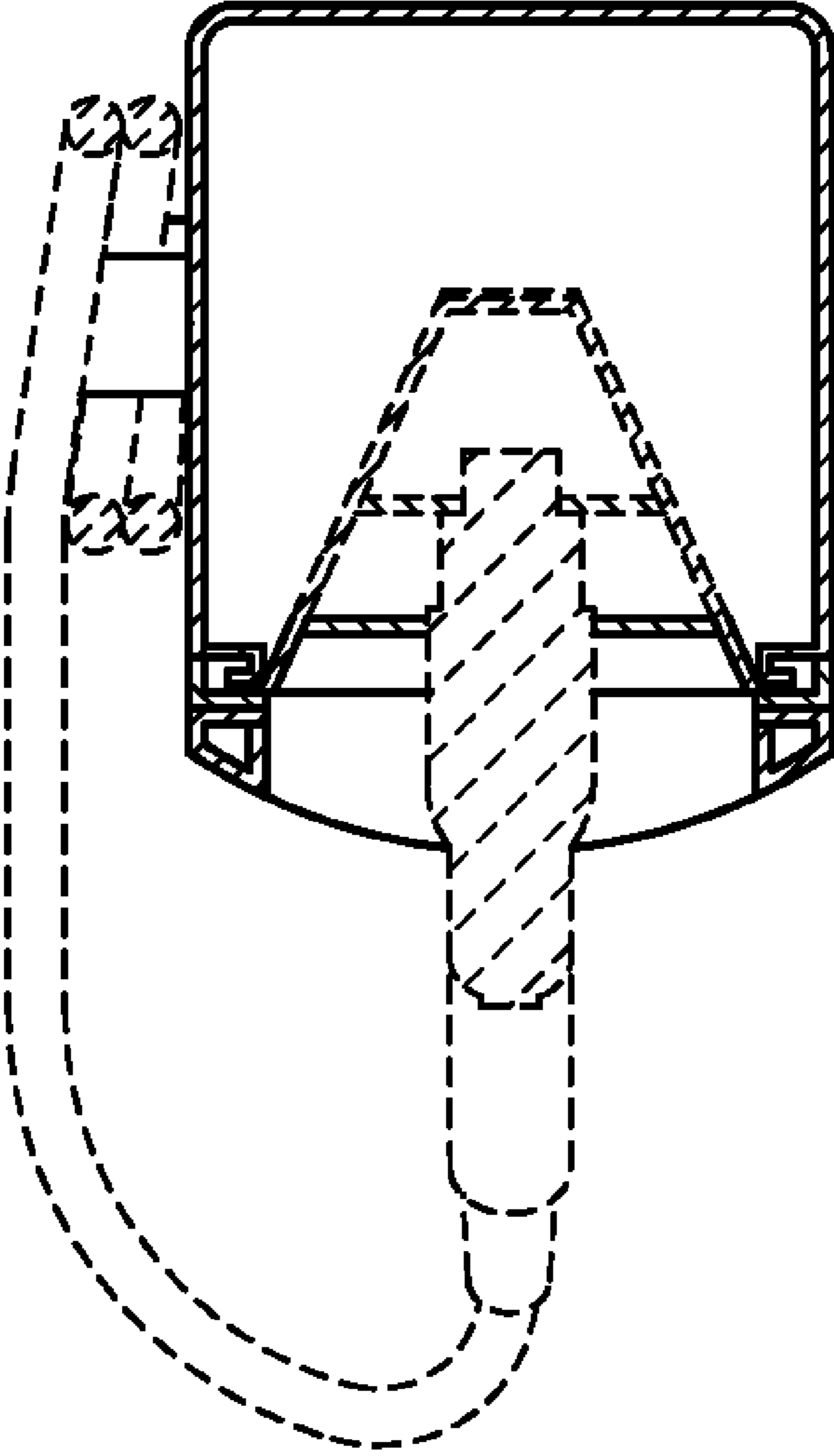


FIG. 9