



US00D676374S

(12) **United States Design Patent**
Chu

(10) **Patent No.:** **US D676,374 S**

(45) **Date of Patent:** **** Feb. 19, 2013**

(54) **SOLAR PANEL**

(75) Inventor: **Wai-Hong Chu**, Taikoo Shing (CN)

(73) Assignee: **Electric Miser (Hong Kong) Limited**,
Hong Kong (HK)

(**) Term: **14 Years**

(21) Appl. No.: **29/429,023**

(22) Filed: **Aug. 6, 2012**

(51) **LOC (9) Cl.** **13-02**

(52) **U.S. Cl.** **D13/102**

(58) **Field of Classification Search** D13/102,
D13/101, 103, 107, 184, 199; 126/569, 608,
126/707, 709; 136/206, 244, 245, 247, 251;
320/101

See application file for complete search history.

(56) **References Cited**

U.S. PATENT DOCUMENTS

D380,191 S * 6/1997 White D13/102
D391,921 S * 3/1998 Zimmer et al. D13/102
D586,736 S * 2/2009 Fowler D13/102

D628,148 S * 11/2010 English et al. D13/102
D630,577 S * 1/2011 Eubanks et al. D13/102
D630,578 S * 1/2011 Ekmekdje D13/102

* cited by examiner

Primary Examiner — Derrick Holland

(74) *Attorney, Agent, or Firm* — Douglas Denninger

(57) **CLAIM**

I claim the ornamental design for a solar panel, as shown and described.

DESCRIPTION

FIG. 1 is a top perspective view of a solar panel showing my new design;

FIG. 2 is a bottom perspective view thereof;

FIG. 3 is a left side elevation view thereof;

FIG. 4 is a right side elevation view thereof;

FIG. 5 is a rear elevation view thereof;

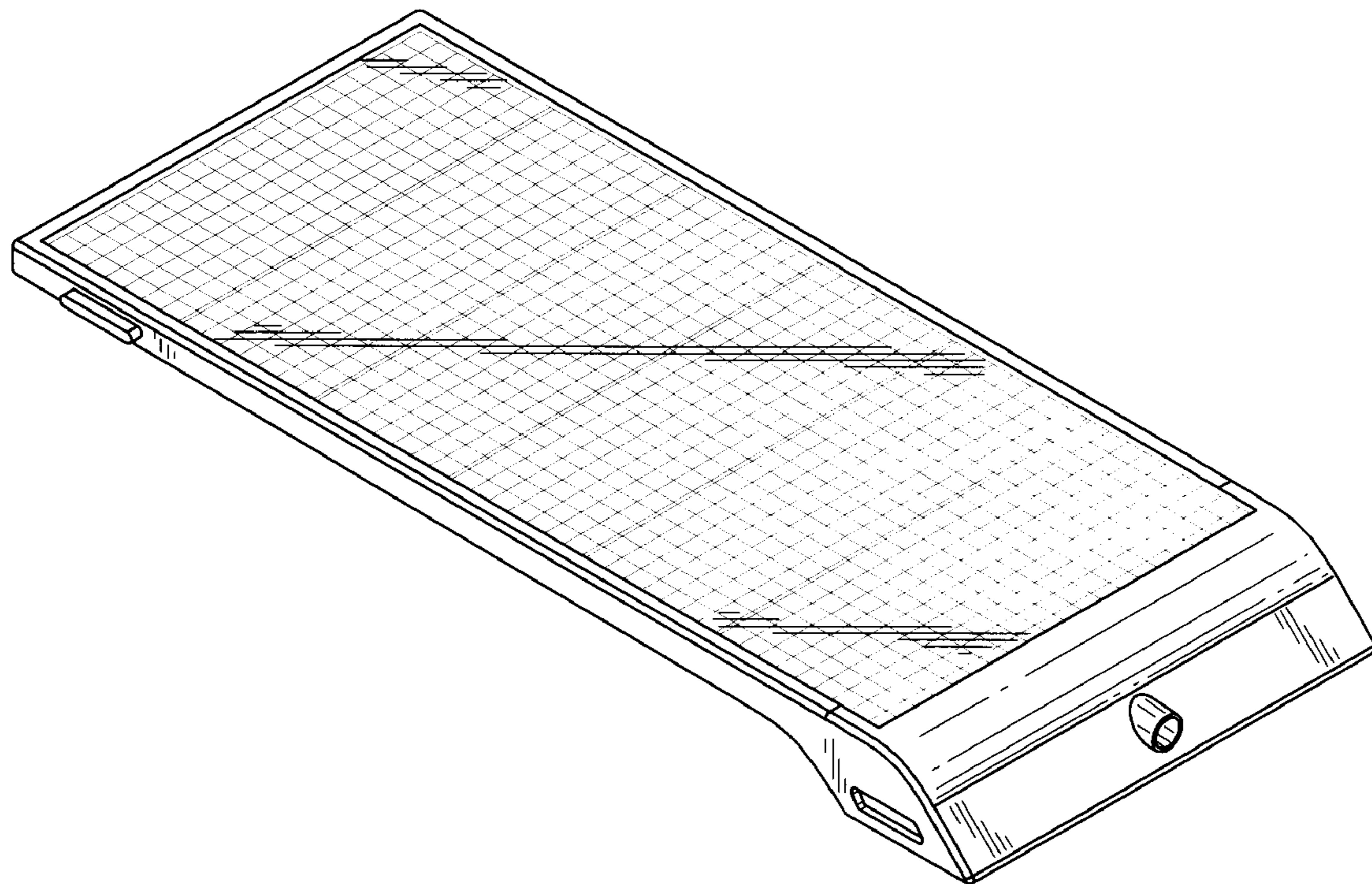
FIG. 6 is a front elevation view thereof;

FIG. 7 is a top plan view thereof; and,

FIG. 8 is a bottom plan view thereof.

The broken lines shown represent unclaimed subject matter and form no part of the claimed design.

1 Claim, 4 Drawing Sheets



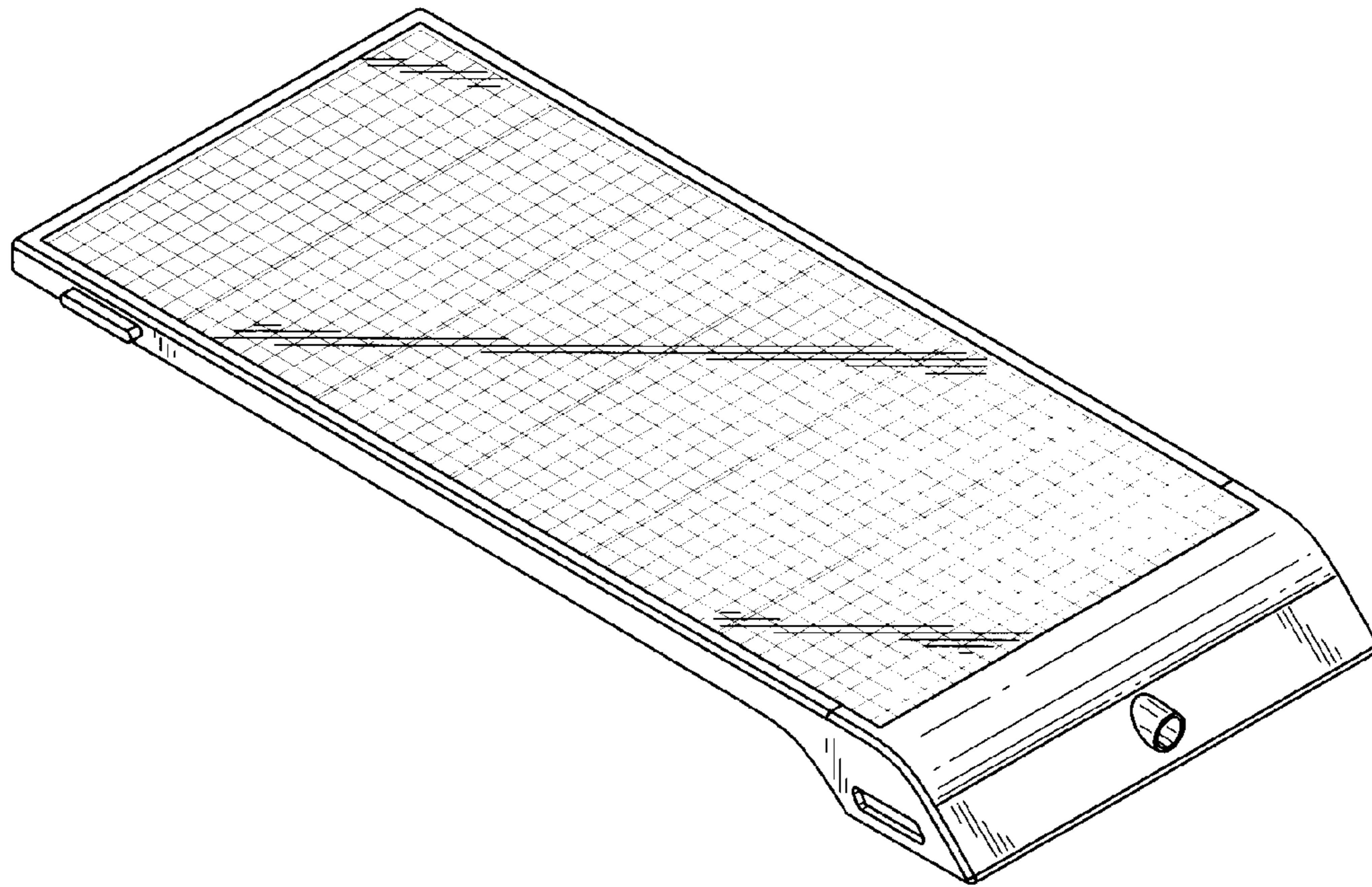


FIG. 1

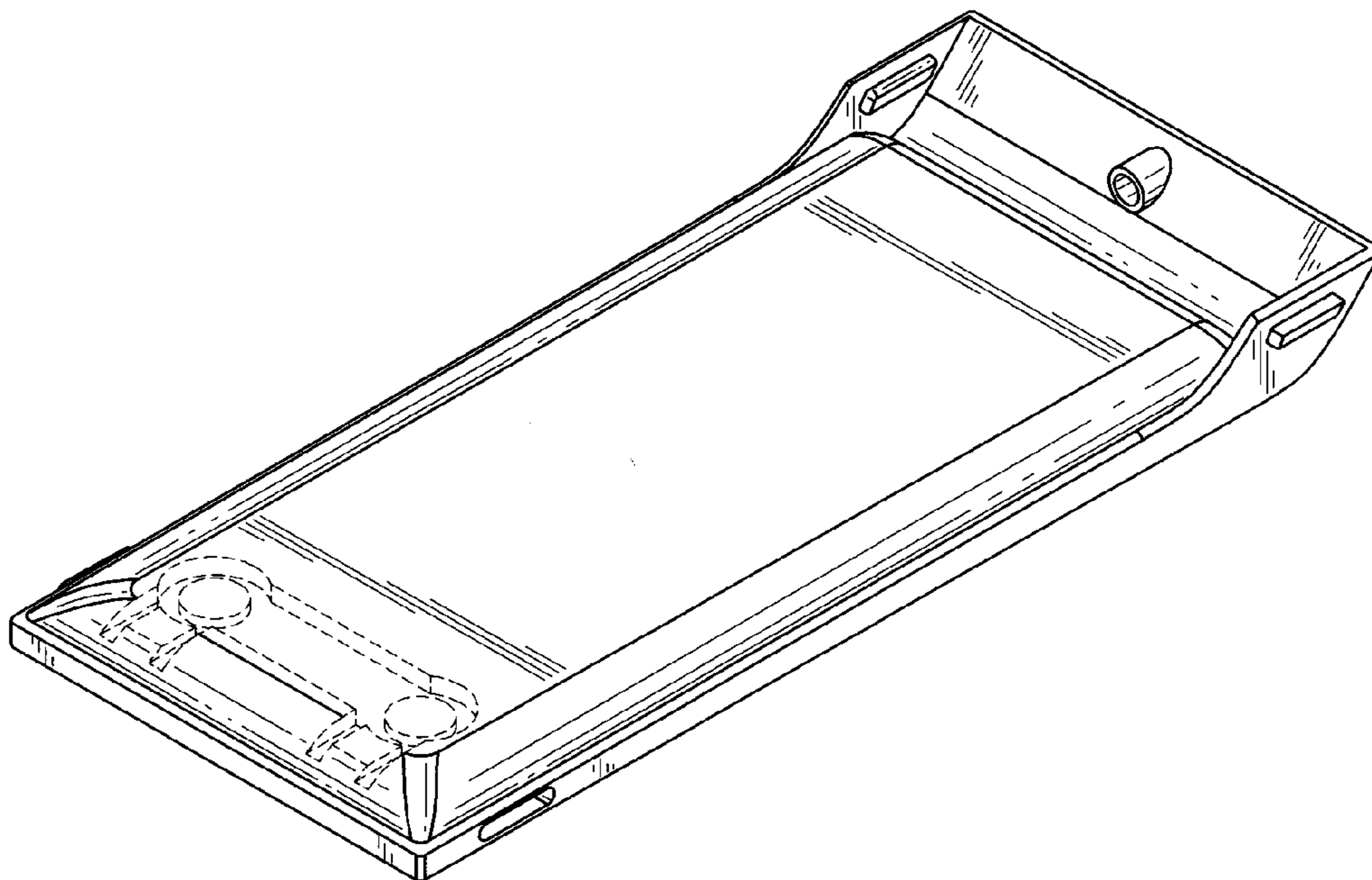


FIG. 2



FIG. 3

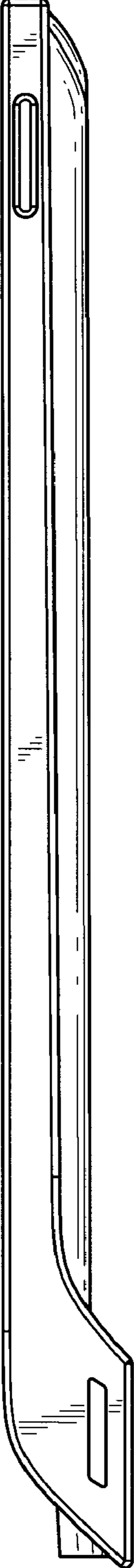


FIG. 4

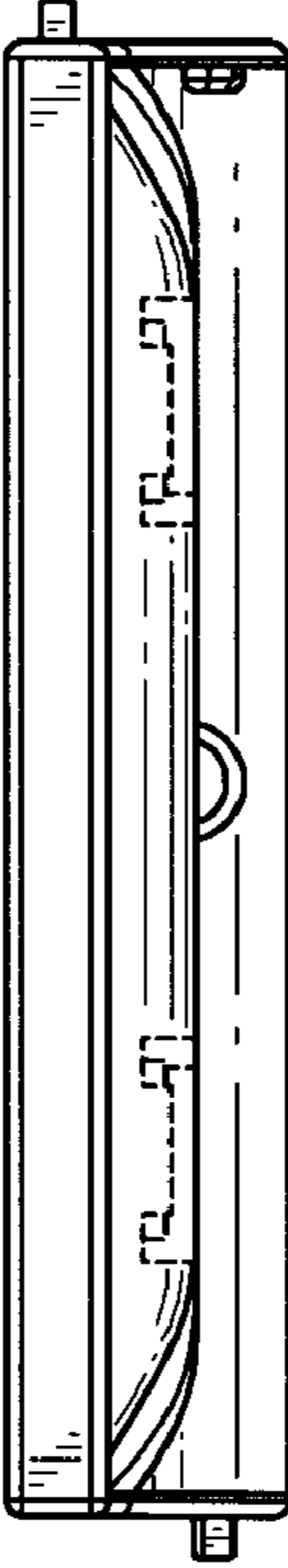


FIG. 5

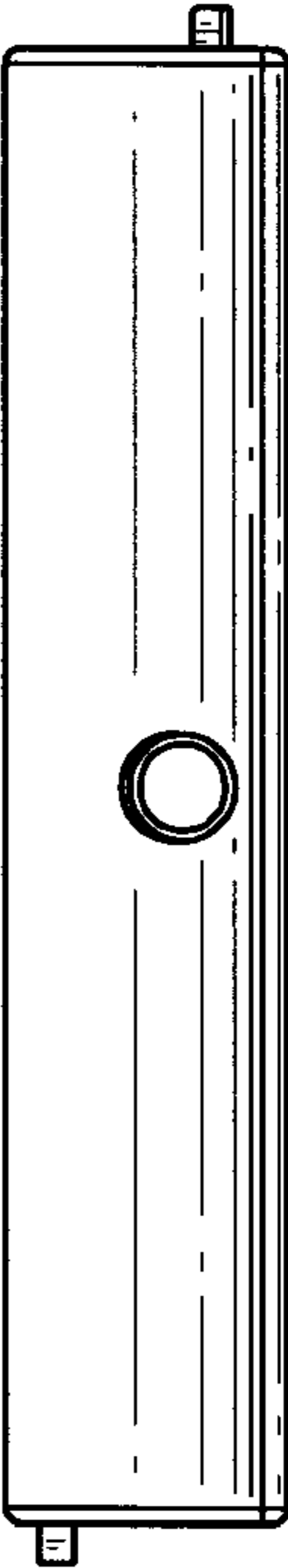


FIG. 6

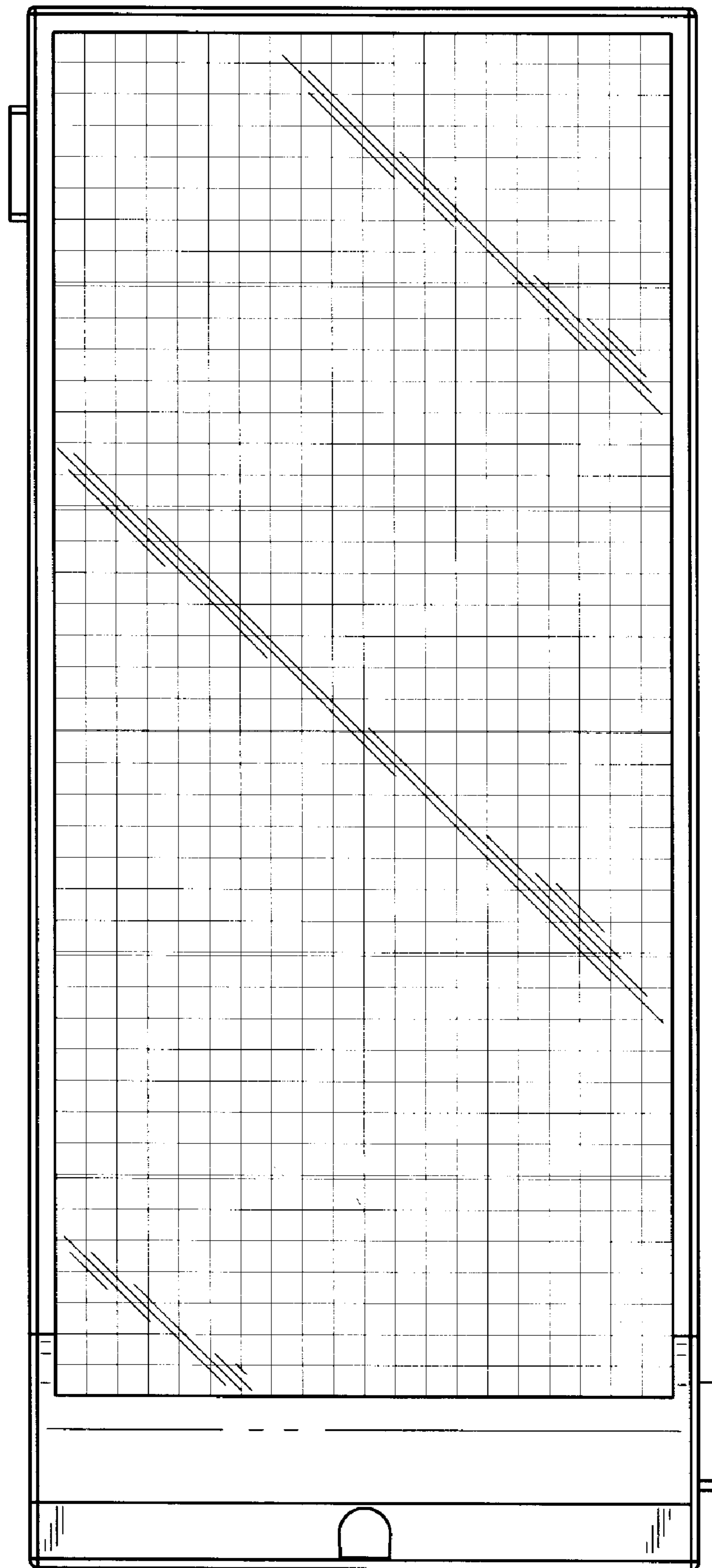


FIG. 7

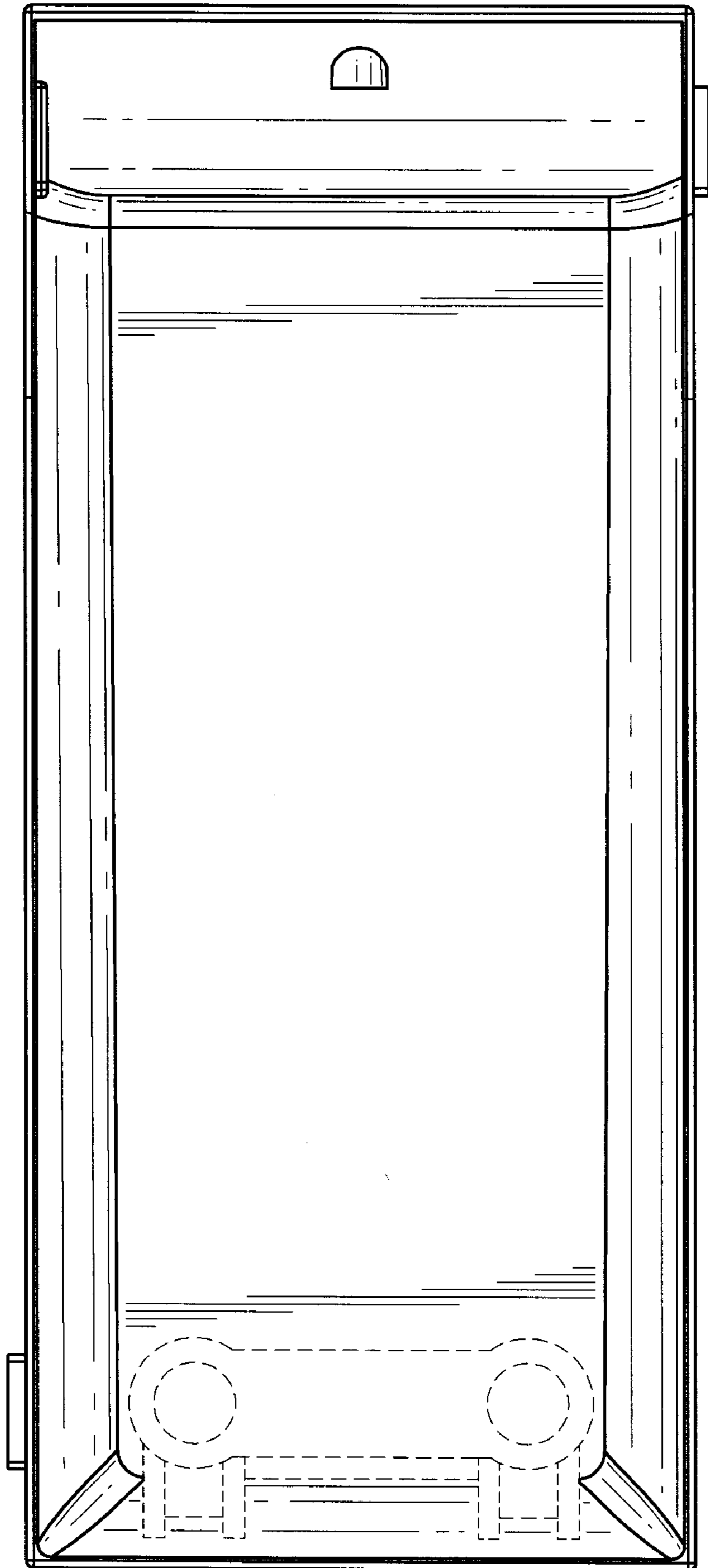


FIG. 8