



US00D676373S

(12) **United States Design Patent**
Bachtel et al.

(10) **Patent No.:** **US D676,373 S**
(45) **Date of Patent:** **** Feb. 19, 2013**

(54) **TIRE TREAD**

(75) Inventors: **Lisa Bachtel**, Simpsonville, SC (US);
Joseph A. Stain, Shelby, NC (US);
Clarence V. Hair, Jr., Greenville, SC (US)

(73) Assignees: **Compagnie Generale des Etablissements Michelin**, Clermont-Ferrand (FR); **Michelin Recherche et Technique**, Granges-Paccot (CH)

(**) Term: **14 Years**

(21) Appl. No.: **29/408,044**

(22) Filed: **Dec. 6, 2011**

(51) **LOC (9) Cl.** **12-16**

(52) **U.S. Cl.** **D12/580**

(58) **Field of Classification Search** D12/505-532,
D12/596, 594; 152/209.1-209.28

See application file for complete search history.

(56) **References Cited**

U.S. PATENT DOCUMENTS

D535,939 S	1/2007	Gordon et al.	
D549,643 S	8/2007	Radulescu et al.	
D555,080 S	11/2007	Radulescu	
D601,083 S	9/2009	Williamson et al.	
D615,027 S	5/2010	Williamson et al.	
D617,728 S *	6/2010	de Benedittis et al.	D12/580
D619,082 S *	7/2010	de Benedittis et al.	D12/580
D619,083 S *	7/2010	Reim et al.	D12/583

D645,394 S *	9/2011	De Staercke et al.	D12/583
D660,223 S *	5/2012	Dixon et al.	D12/600
2011/0265926 A1 *	11/2011	De Staercke	152/209.18

OTHER PUBLICATIONS

Michelin X One XDN2 Tire, www.michelintruck.com, at least as early as Nov. 3, 2011, 1 page.

Michelin XDN2 Tire, www.michelintruck.com, at least as early as Nov. 3, 2011, 1 page.

* cited by examiner

Primary Examiner — George D Kirschbaum

(74) *Attorney, Agent, or Firm* — Dority & Manning, P.A.

(57) **CLAIM**

The ornamental design for a tire tread, as shown and described.

DESCRIPTION

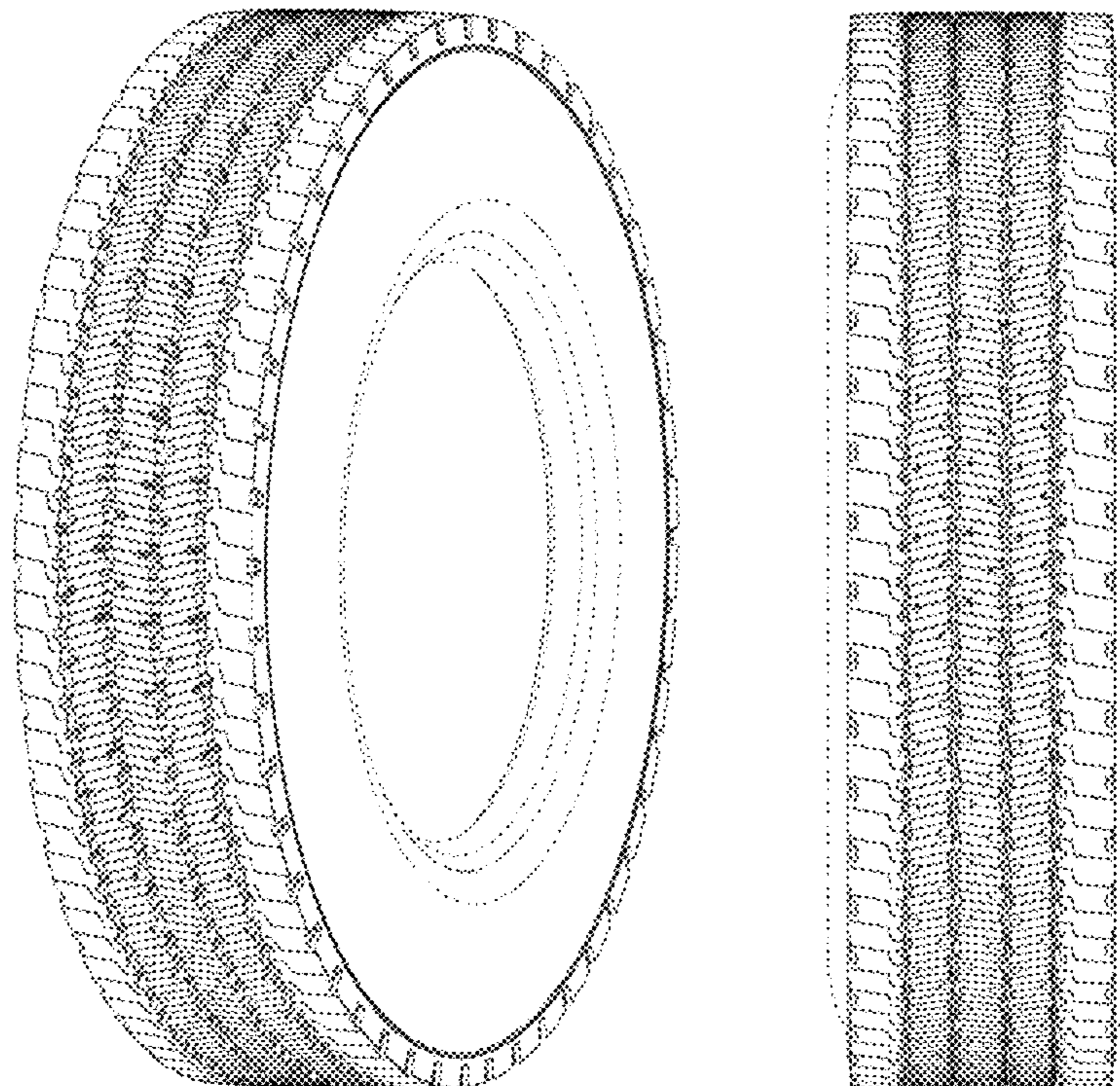
FIG. 1 is a perspective view of a tire tread showing our new design, it being understood that the tread pattern repeats circumferentially throughout the outer circumference and shoulder of the tire, the opposite side perspective being identical thereto;

FIG. 2 is a front elevation view thereof; and,

FIG. 3 is a side elevation view of the right side thereof, the left side being identical thereto.

In the drawings recessed groove portions of the tire tread having a depth are best illustrated along the top and bottom edges of FIG. 2. In the drawings, the broken line disclosure of the tire sidewall and inner bead depicts the context of the design and forms no part of the claimed design.

1 Claim, 3 Drawing Sheets



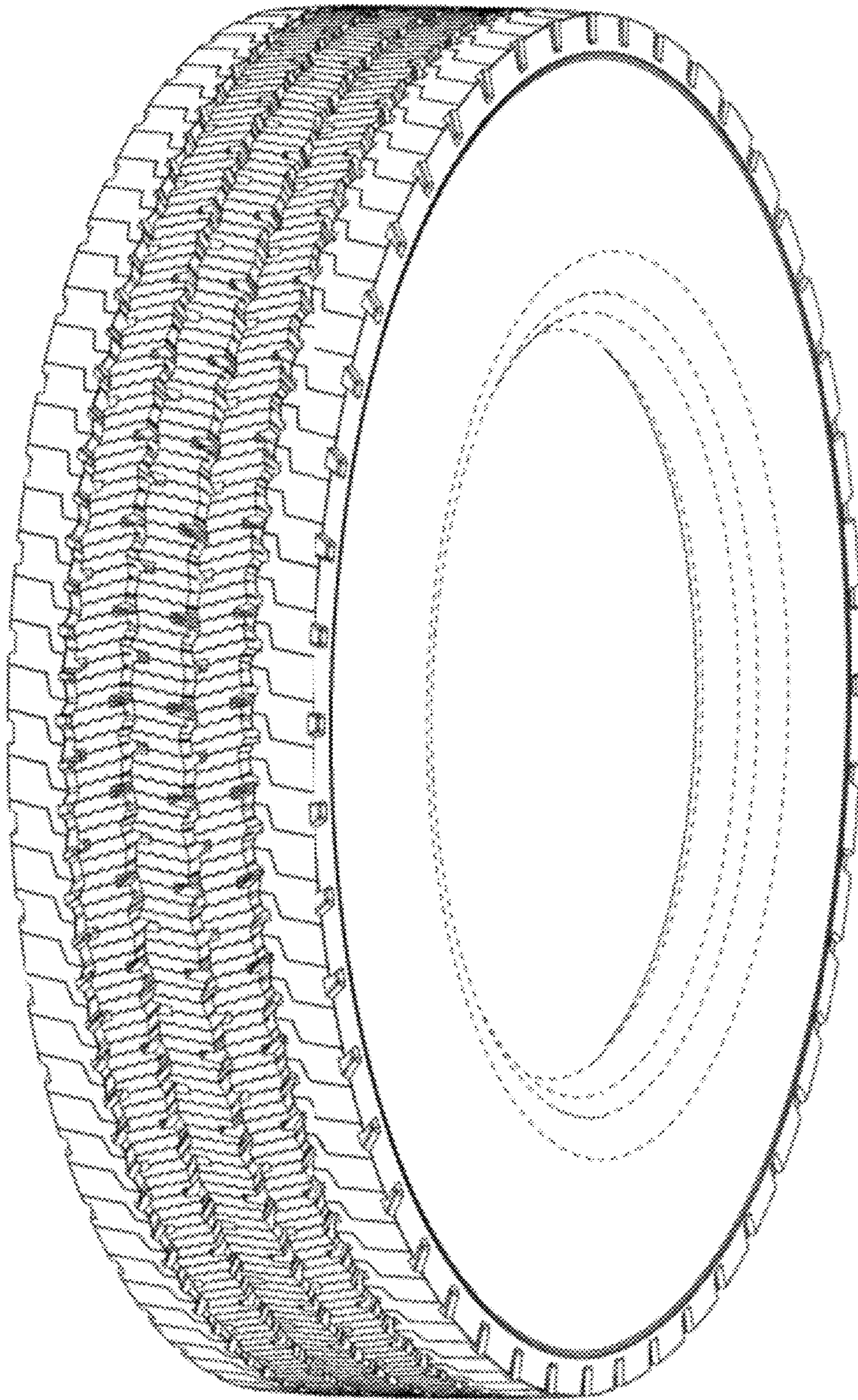


Fig. 1

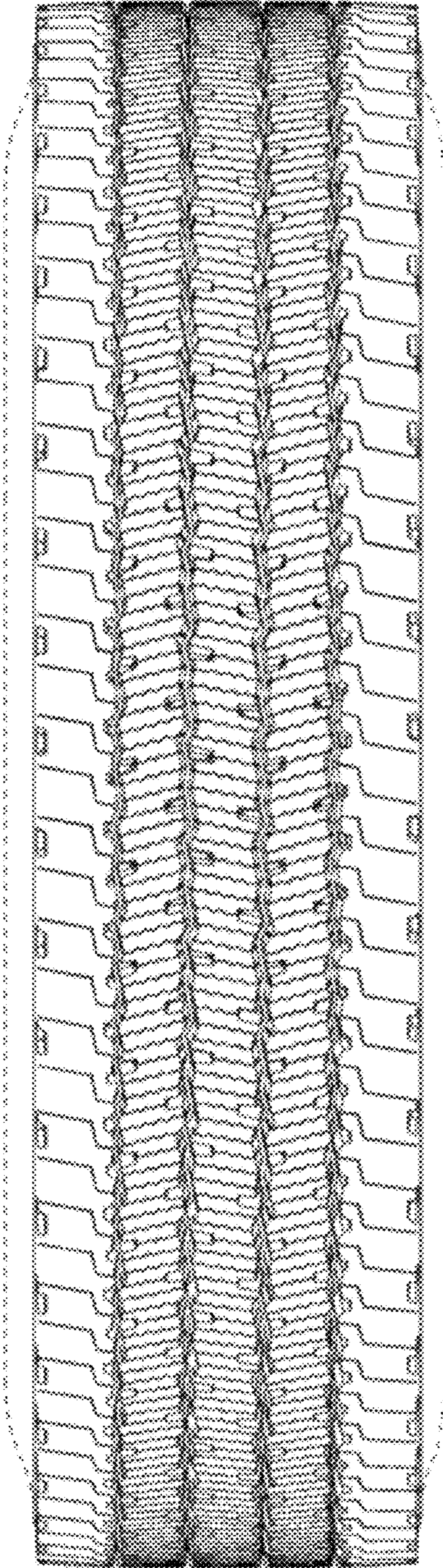


Fig. 2

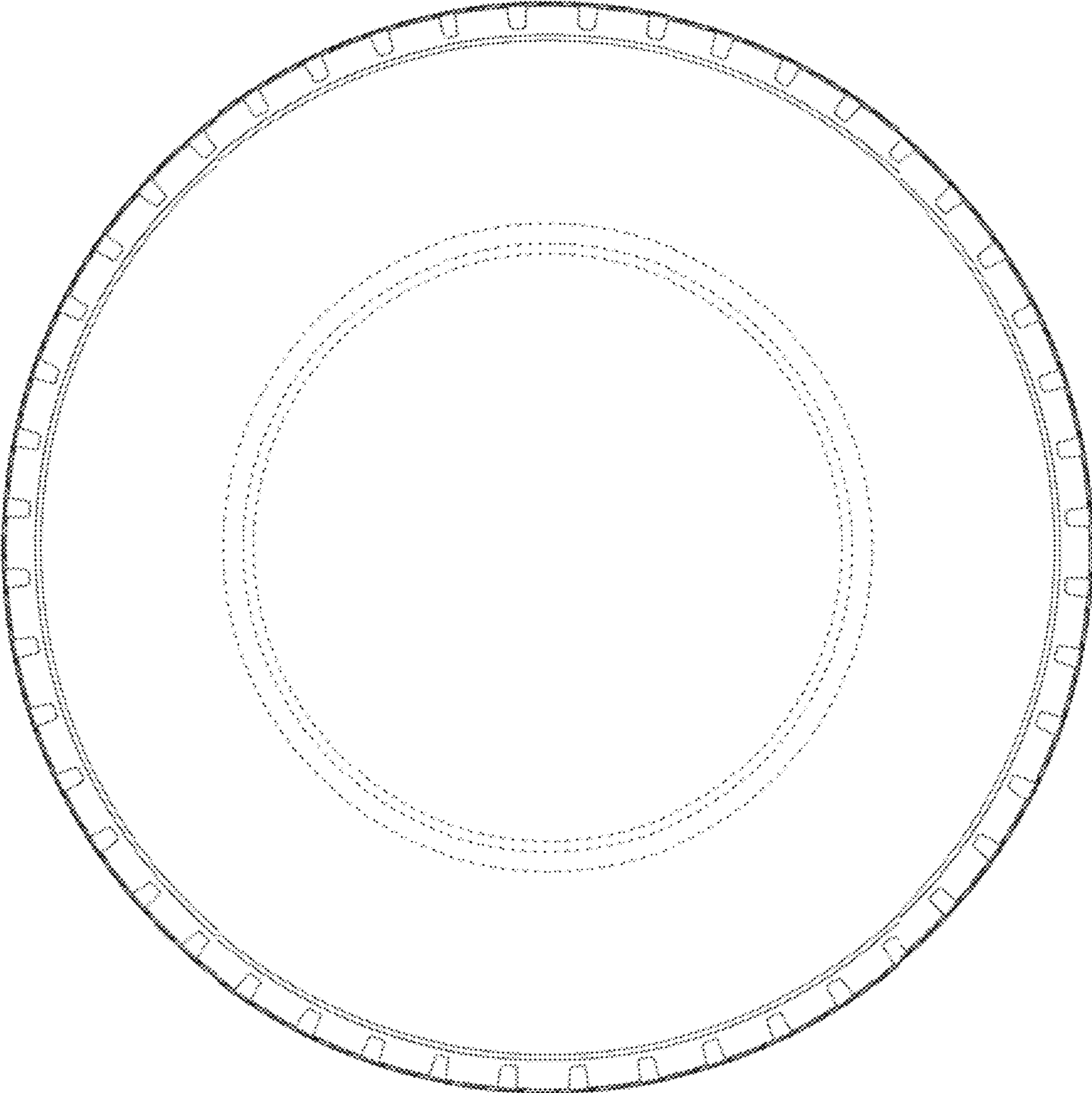


Fig. 3