



US00D676371S

(12) **United States Design Patent**
Son

(10) **Patent No.:** **US D676,371 S**
(45) **Date of Patent:** **** Feb. 19, 2013**

(54) **VEHICLE MOUNT**

(75) Inventor: **Hyun-Keun Son**, Seoul (KR)

(73) Assignee: **Samsung Electronics Co., Ltd.** (KR)

(**) Term: **14 Years**

(21) Appl. No.: **29/387,575**

(22) Filed: **Mar. 15, 2011**

(30) **Foreign Application Priority Data**

Dec. 30, 2010 (KR) 30-2010-0056763

(51) **LOC (9) Cl.** **12-16**

(52) **U.S. Cl.** **D12/415**

(58) **Field of Classification Search** D12/415,
D12/416, 417, 418, 419, 420; 296/36; 22/539;
224/404; 248/274.1, 284.1; D13/108; D9/423;
D3/218; D8/354; D14/451-452
See application file for complete search history.

(56) **References Cited**

U.S. PATENT DOCUMENTS

D603,603	S	*	11/2009	Laine et al.	D3/218
D609,463	S	*	2/2010	Bullen	D3/218
D616,361	S	*	5/2010	Huang	D13/103
D624,909	S	*	10/2010	Huskinson	D14/250
D635,555	S	*	4/2011	Giles	D14/217
D644,428	S	*	9/2011	Feng	D3/218
D653,202	S	*	1/2012	Hasbrook et al.	D13/103
D654,069	S	*	2/2012	Kwon et al.	D14/250

D655,281	S	*	3/2012	Turocy	D14/250
D663,263	S	*	7/2012	Gupta et al.	D13/103
D665,341	S	*	8/2012	Chu et al.	D13/103
D665,347	S	*	8/2012	Chen	D13/108
2009/0186264	A1	*	7/2009	Huang	429/96

* cited by examiner

Primary Examiner — Katrina A Betton

(74) *Attorney, Agent, or Firm* — NSIP Law

(57) **CLAIM**

The ornamental design for a vehicle mount, as shown and described.

DESCRIPTION

FIG. 1 is a perspective view of a vehicle mount;
FIG. 2 is a front view of the vehicle mount of FIG. 1;
FIG. 3 is a rear view of the vehicle mount of FIG. 1;
FIG. 4 is a left-side view of the vehicle mount of FIG. 1;
FIG. 5 is a right-side view of the vehicle mount of FIG. 1;
FIG. 6 is a top plan view of the vehicle mount of FIG. 1;
FIG. 7 is a bottom plan view of the vehicle mount of FIG. 1;
and,
FIG. 8 is a perspective view of the vehicle mount of FIG. 1 in which a mobile phone is shown in broken lines to illustrate an example of how the mobile phone may be docketed to the vehicle mount. The broken lines showing the mobile phone is for illustrative purpose only and form no part of the claimed design.

1 Claim, 6 Drawing Sheets

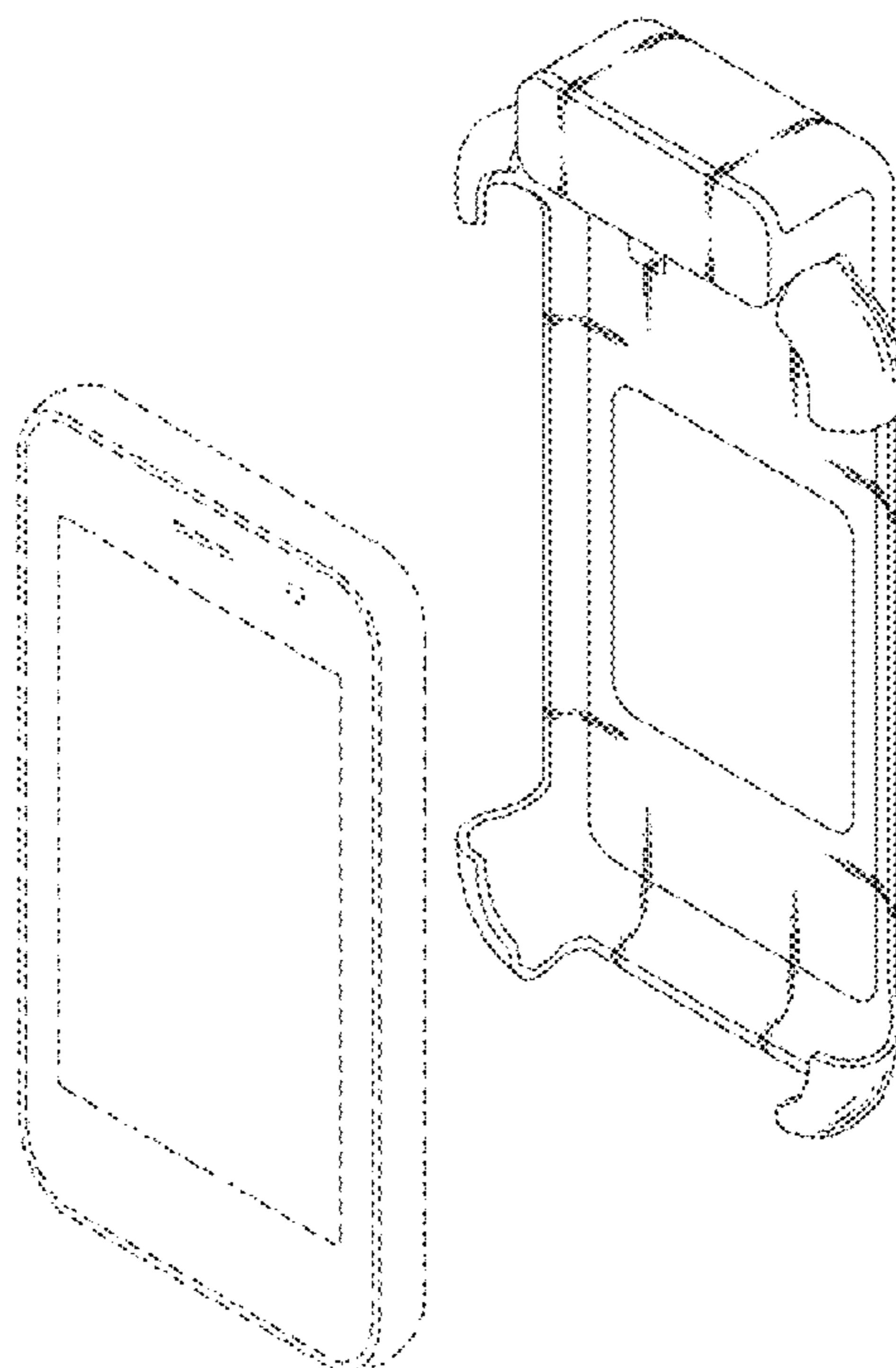


FIG. 1

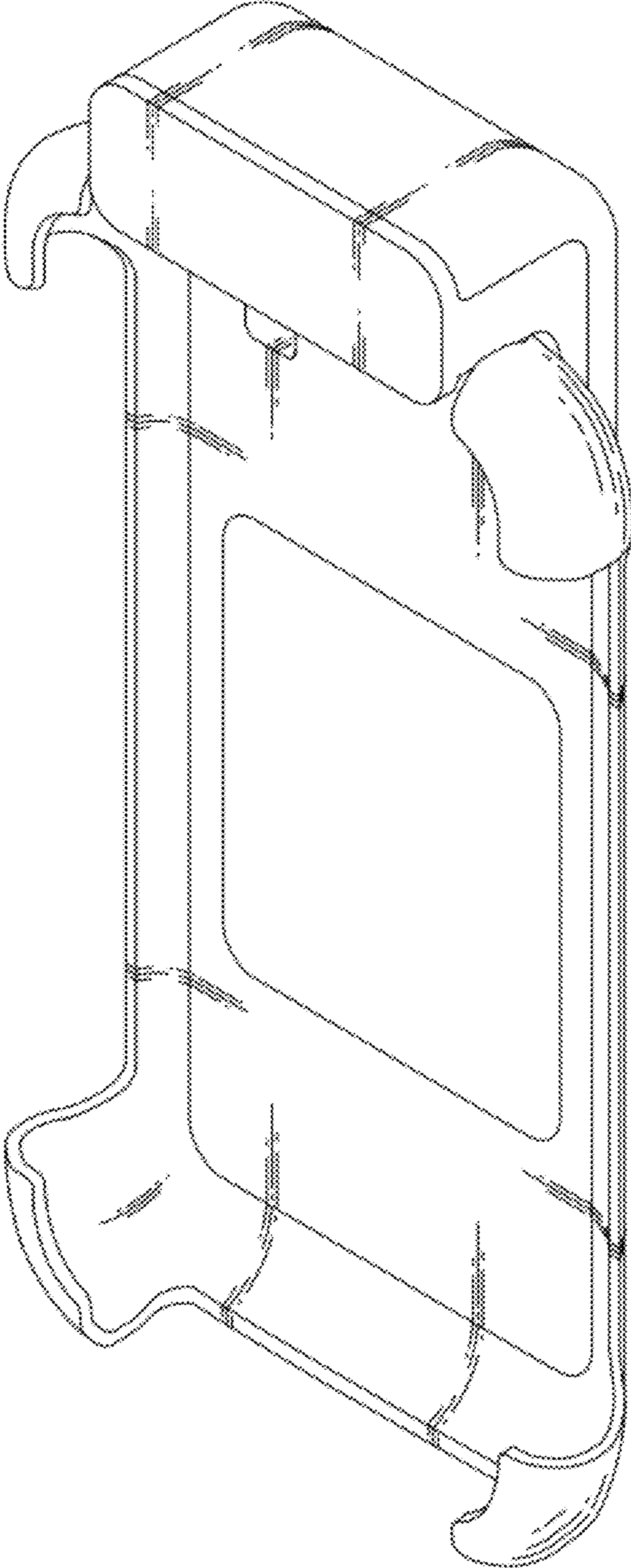


FIG. 2

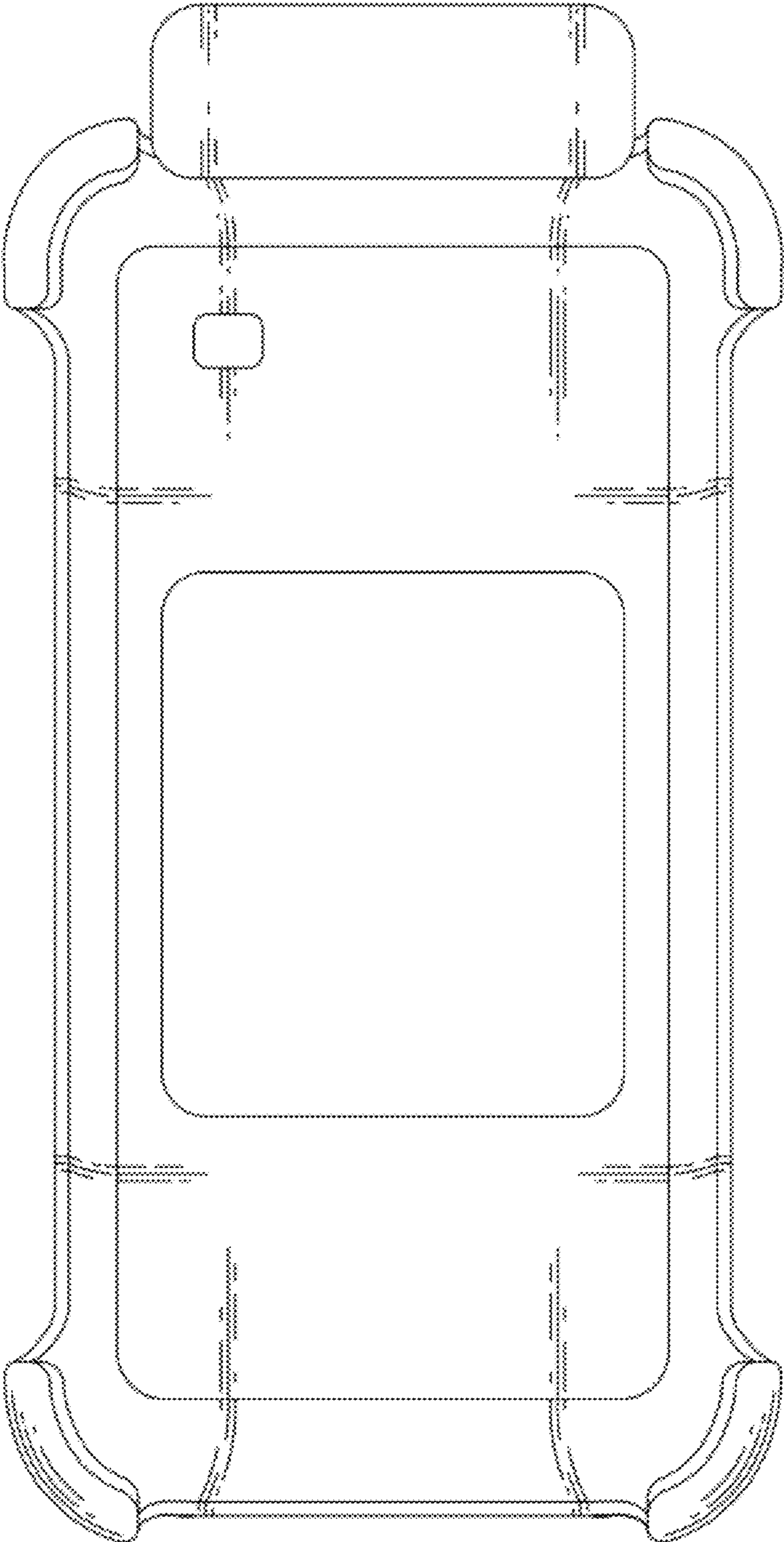


FIG. 3

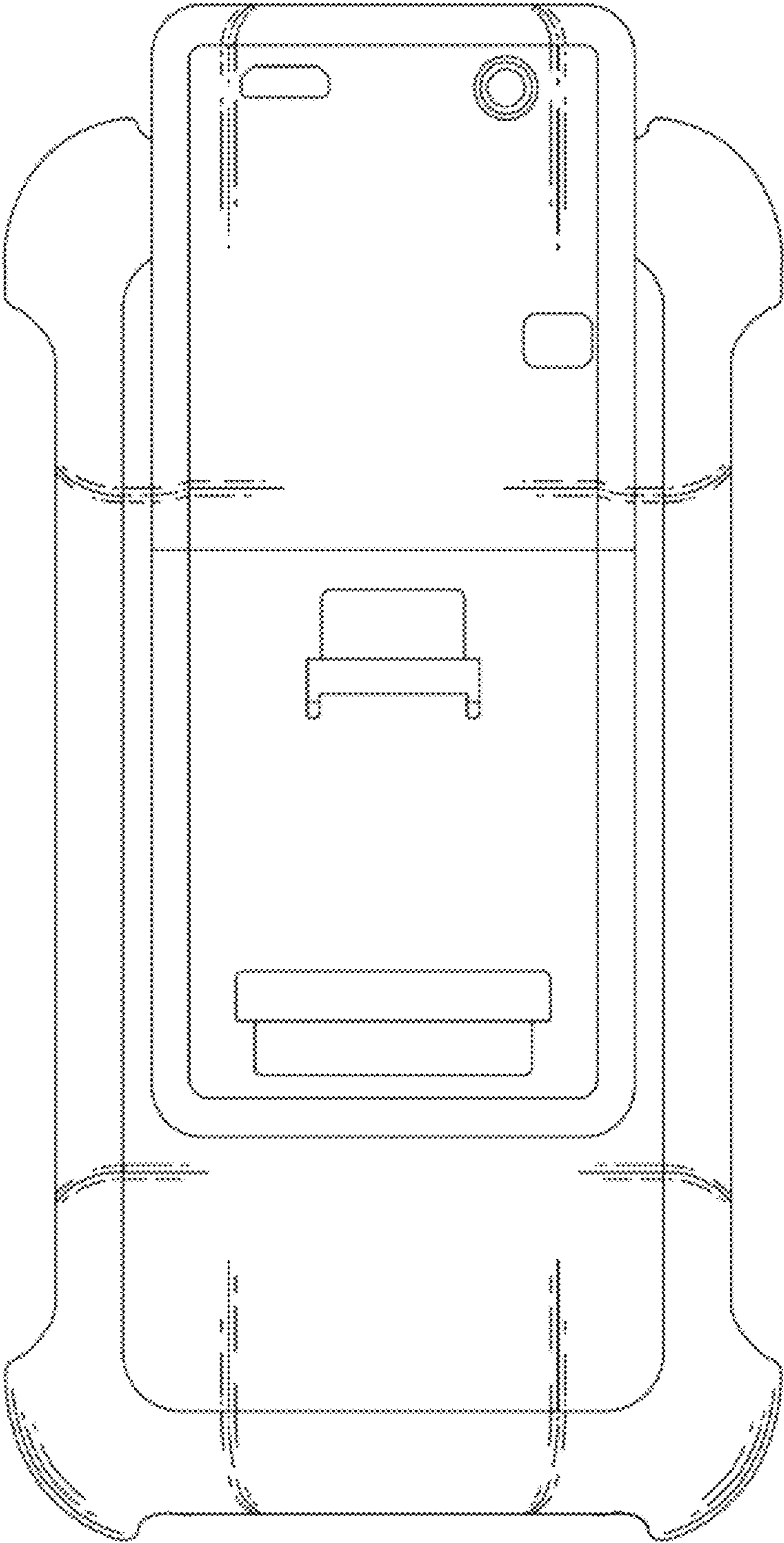


FIG. 4

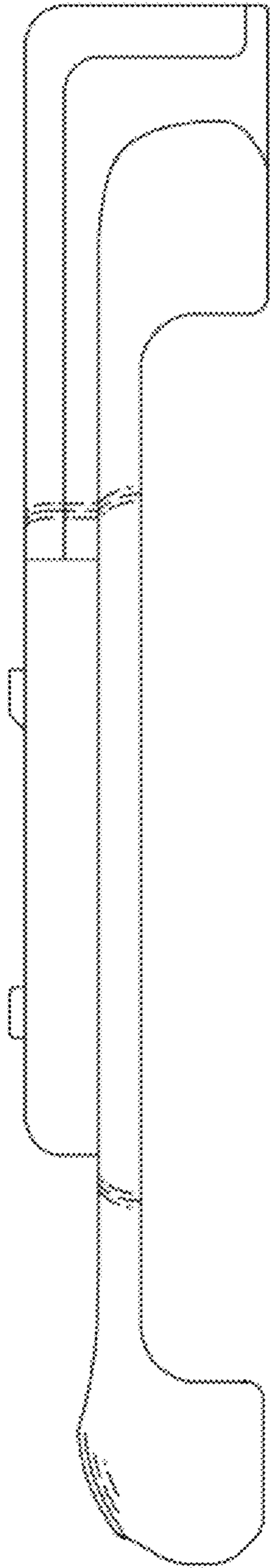


FIG. 5

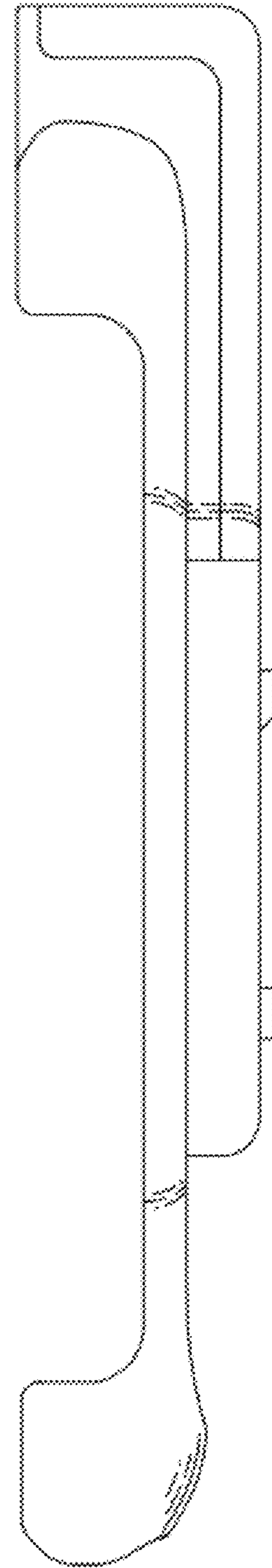


FIG. 6

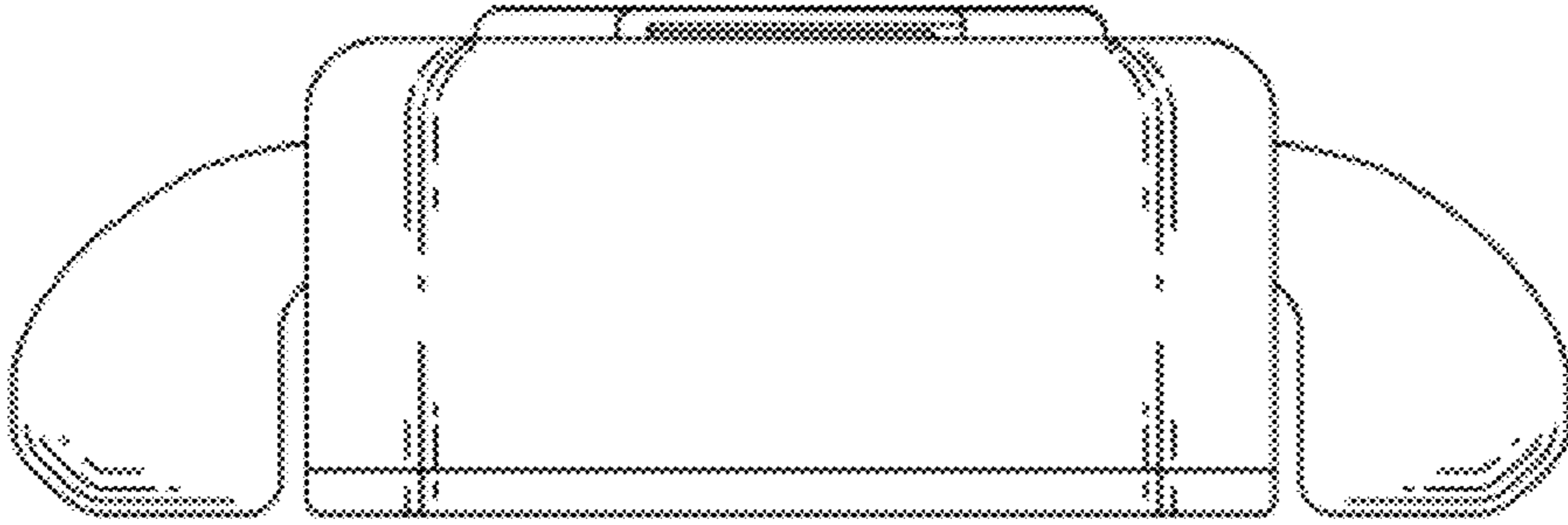


FIG. 7

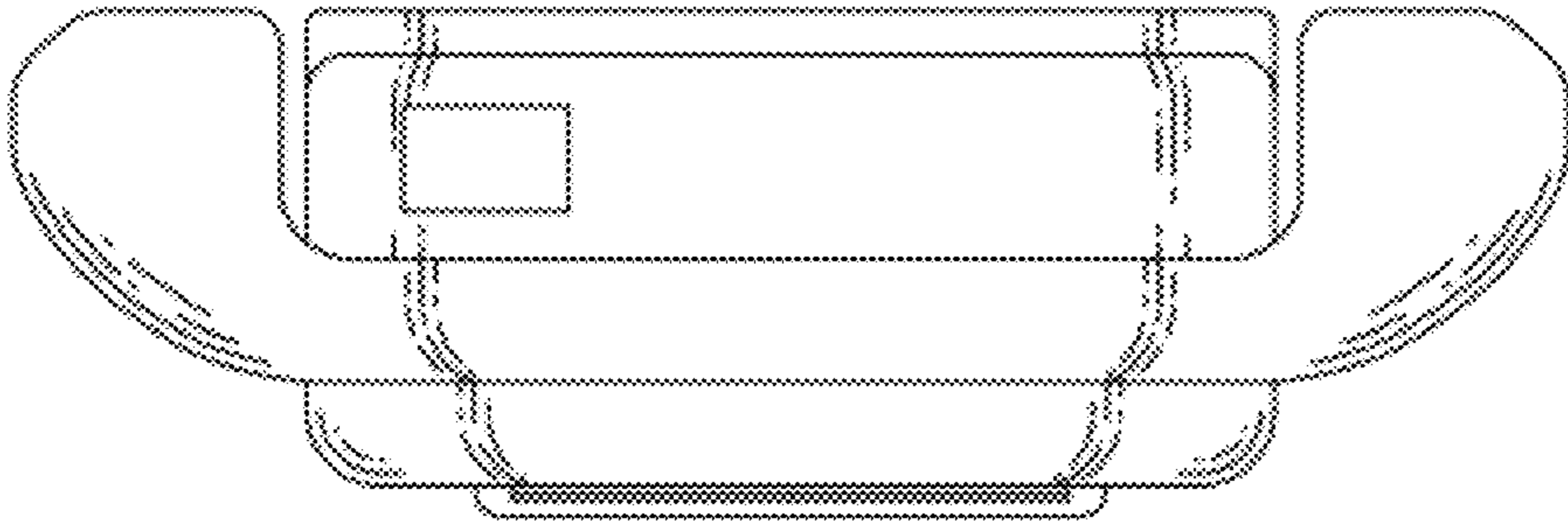


FIG. 8

