



US00D676370S

(12) **United States Design Patent**
Pawsat et al.

(10) **Patent No.:** **US D676,370 S**
(45) **Date of Patent:** **** Feb. 19, 2013**

(54) **BICYCLE BASKET SUPPORTING BRACKET**

D650,655 S * 12/2011 Wester D8/354
D651,066 S * 12/2011 Johnson, III D8/354
D659,072 S * 5/2012 Matijevich D12/223

(75) Inventors: **Ralph Alan Pawsat**, Minerva, KY (US);
Jammie Ray Baldwin, Stout, OH (US);
Daniel Bascom Crum, Jr., Maysville,
KY (US)

* cited by examiner

(73) Assignee: **Wald LLC**, Maysville, KY (US)

Primary Examiner — Sheryl Lane

(**) Term: **14 Years**

(74) *Attorney, Agent, or Firm* — Wood, Herron & Evans,
LLP

(21) Appl. No.: **29/399,142**

(57) **CLAIM**

The ornamental design for a bicycle basket supporting
bracket, as shown and described.

(22) Filed: **Aug. 10, 2011**

DESCRIPTION

(51) **LOC (9) Cl.** **12-06**

(52) **U.S. Cl.** **D12/223**

(58) **Field of Classification Search** D12/223;
D8/382, 349, 354, 363, 366, 373; 248/200,
248/300, 304, 317, 339, 503; 224/400, 401,
224/275; D6/566

See application file for complete search history.

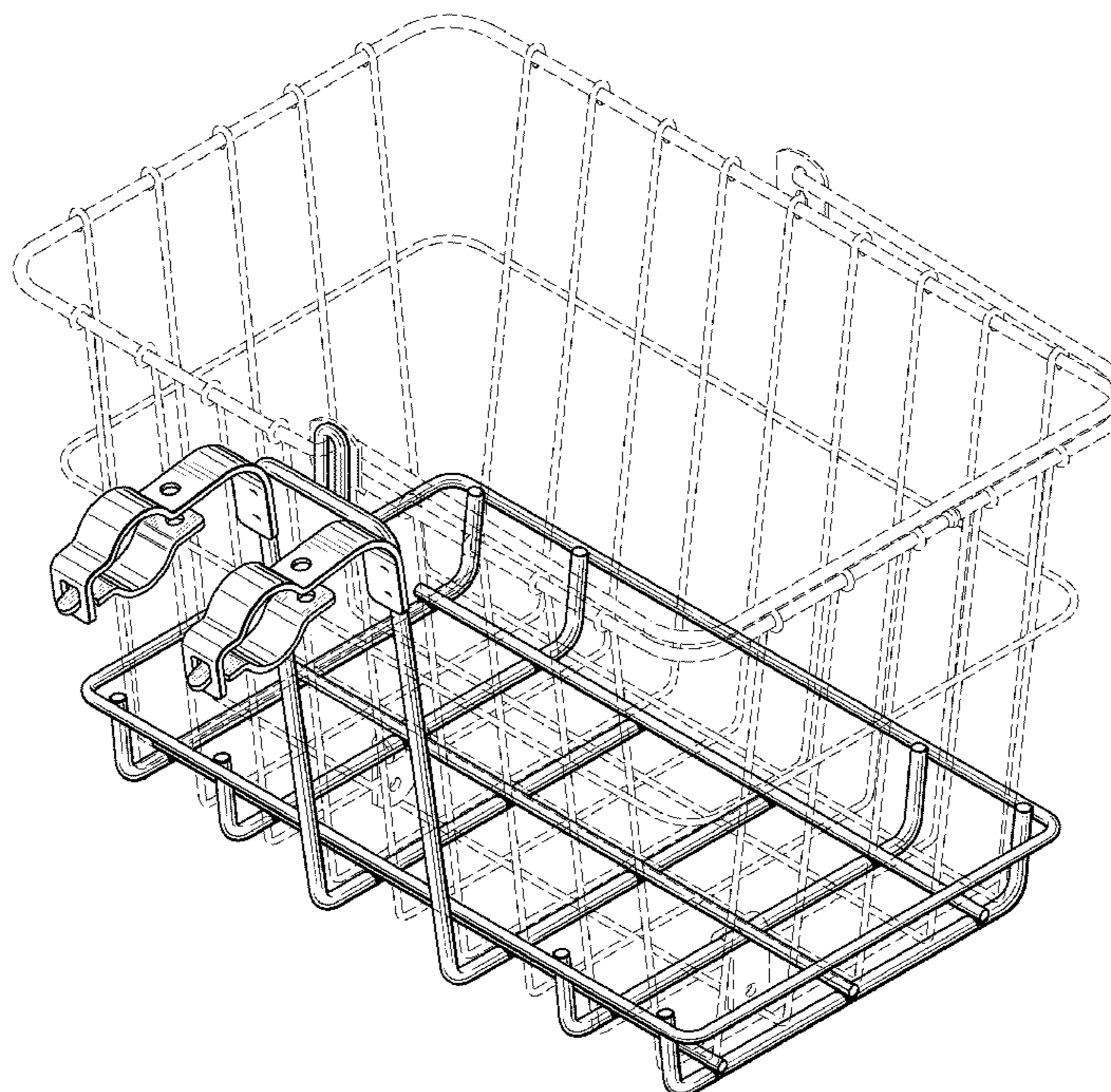
FIG. 1 is a front perspective view of a bicycle basket support-
ing bracket showing our design;
FIG. 2 is a front perspective view thereof similar to FIG. 1
with the basket and clips removed for clarity;
FIG. 3 is a front elevational view thereof;
FIG. 4 is a left elevational view thereof.
FIG. 5 is a right elevational view thereof;
FIG. 6 is a top plan view thereof;
FIG. 7 is a bottom plan view thereof;
FIG. 8 is a front perspective view of a bicycle basket support-
ing bracket showing an alternative design;
FIG. 9 is a front perspective view thereof similar to FIG. 8
with the basket removed for clarity;
FIG. 10 is a front elevational view thereof;
FIG. 11 is a left elevational view thereof.
FIG. 12 is a right elevational view thereof;
FIG. 13 is a top plan view thereof; and,
FIG. 14 is a bottom plan view thereof.
The broken lines show environment and form no part of the
claimed design.

(56) **References Cited**

U.S. PATENT DOCUMENTS

1,537,174	A *	5/1925	Liskow	220/6
2,807,513	A *	9/1957	Stein	224/400
D242,888	S *	1/1977	Mazie et al.	D6/566
4,331,270	A	5/1982	Humlong		
4,730,758	A	3/1988	McMurtrey		
D321,070	S *	10/1991	Lewicki	D32/54
D351,523	S *	10/1994	Rosenthal	D6/566
5,390,443	A *	2/1995	Emalfarb et al.	47/67
5,711,502	A *	1/1998	Emalfarb et al.	248/302
D403,948	S	1/1999	Pawsat		
D494,919	S *	8/2004	Davis et al.	D12/223
D496,321	S	9/2004	McMurtrey et al.		
D498,632	S *	11/2004	Anderson et al.	D6/566
D584,675	S	1/2009	Crum, Jr.		

1 Claim, 14 Drawing Sheets



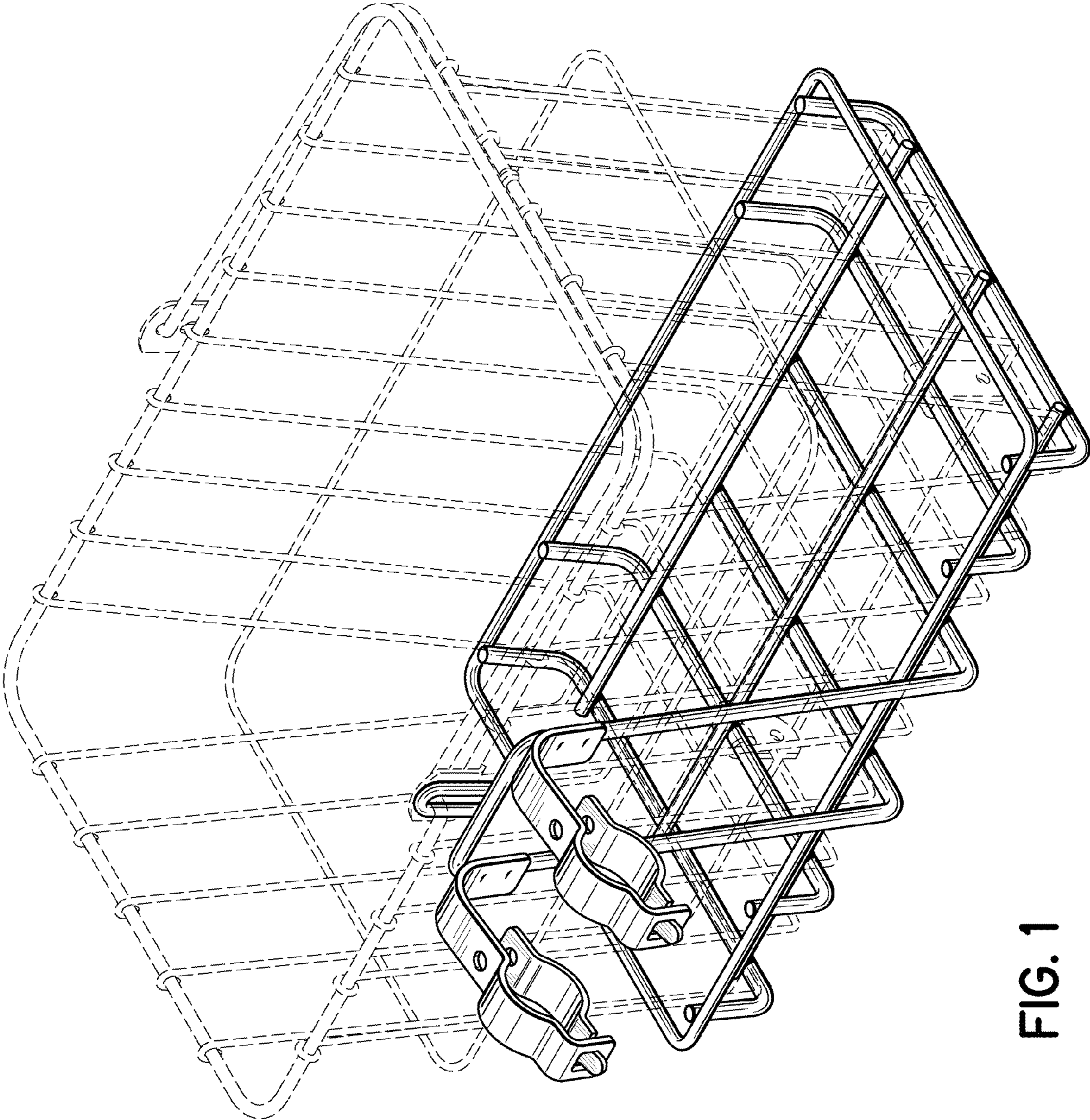


FIG. 1

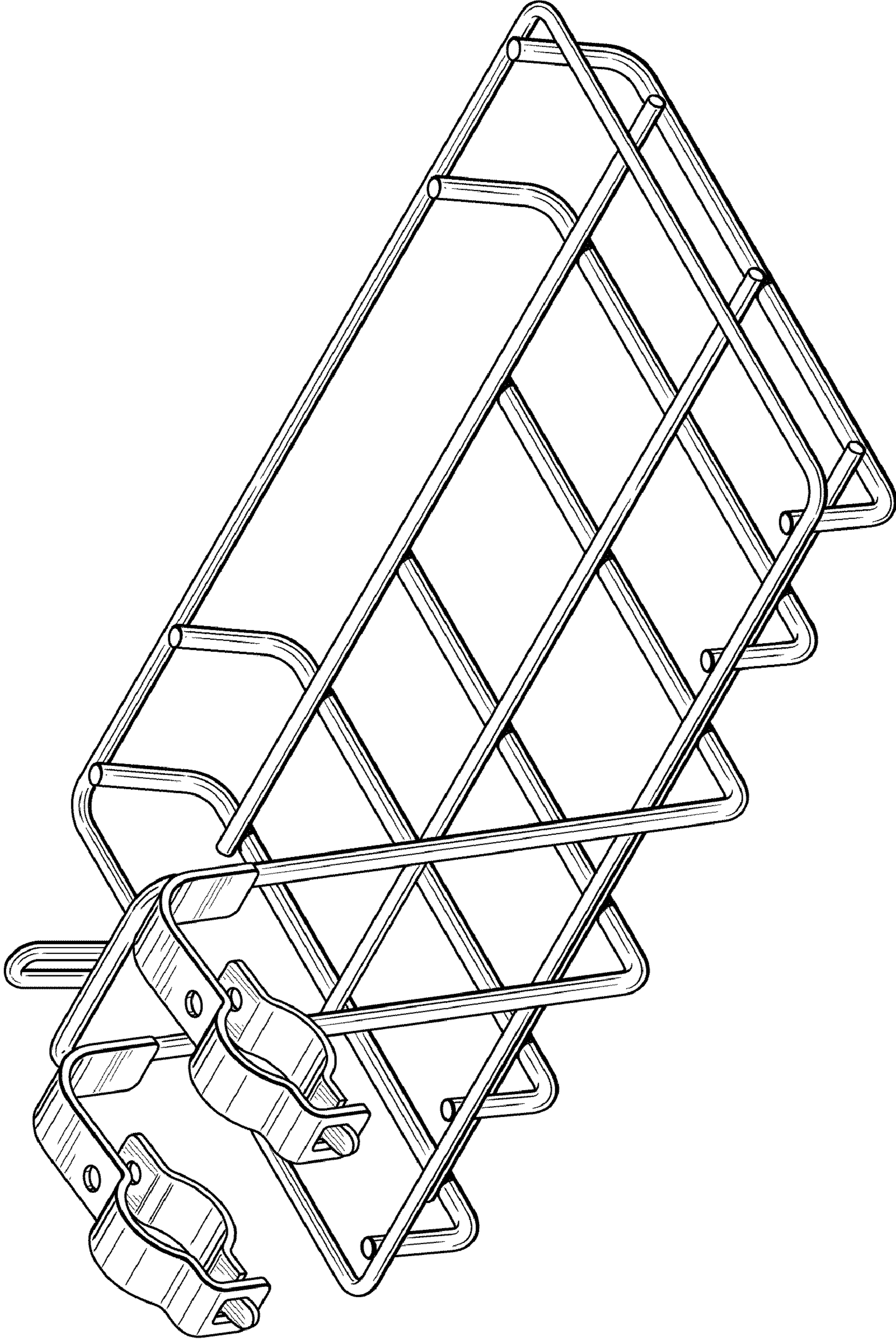


FIG. 2

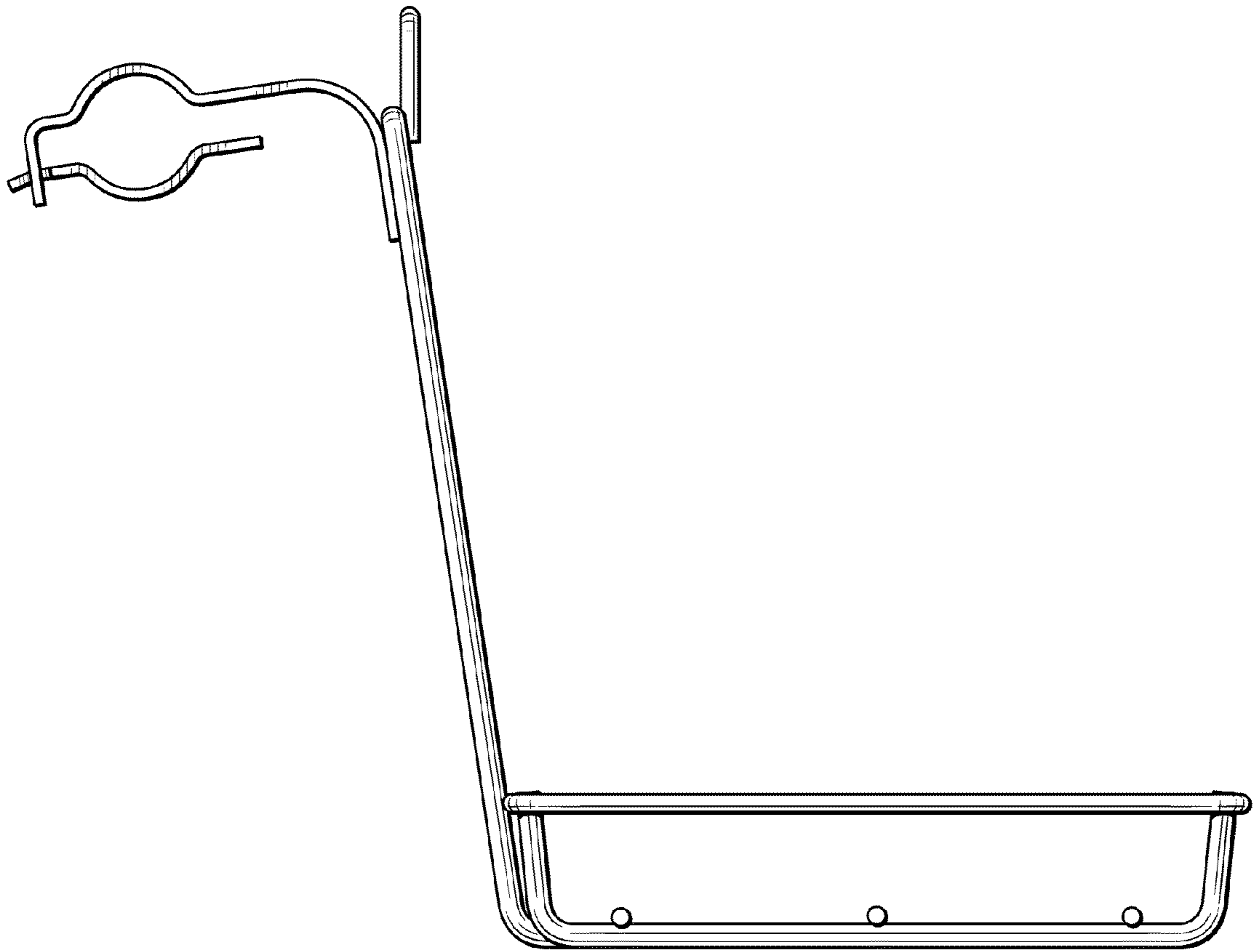


FIG. 3

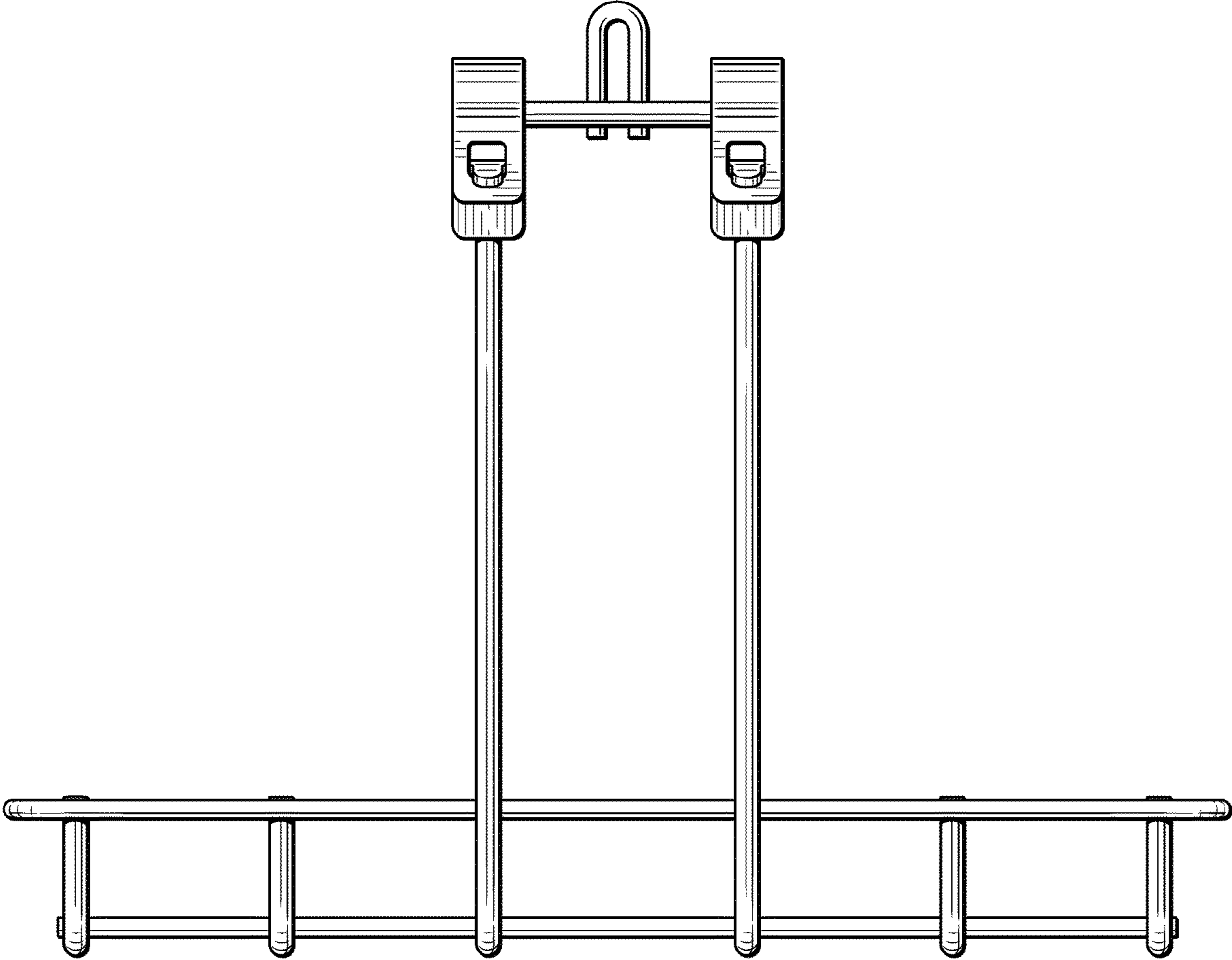


FIG. 4

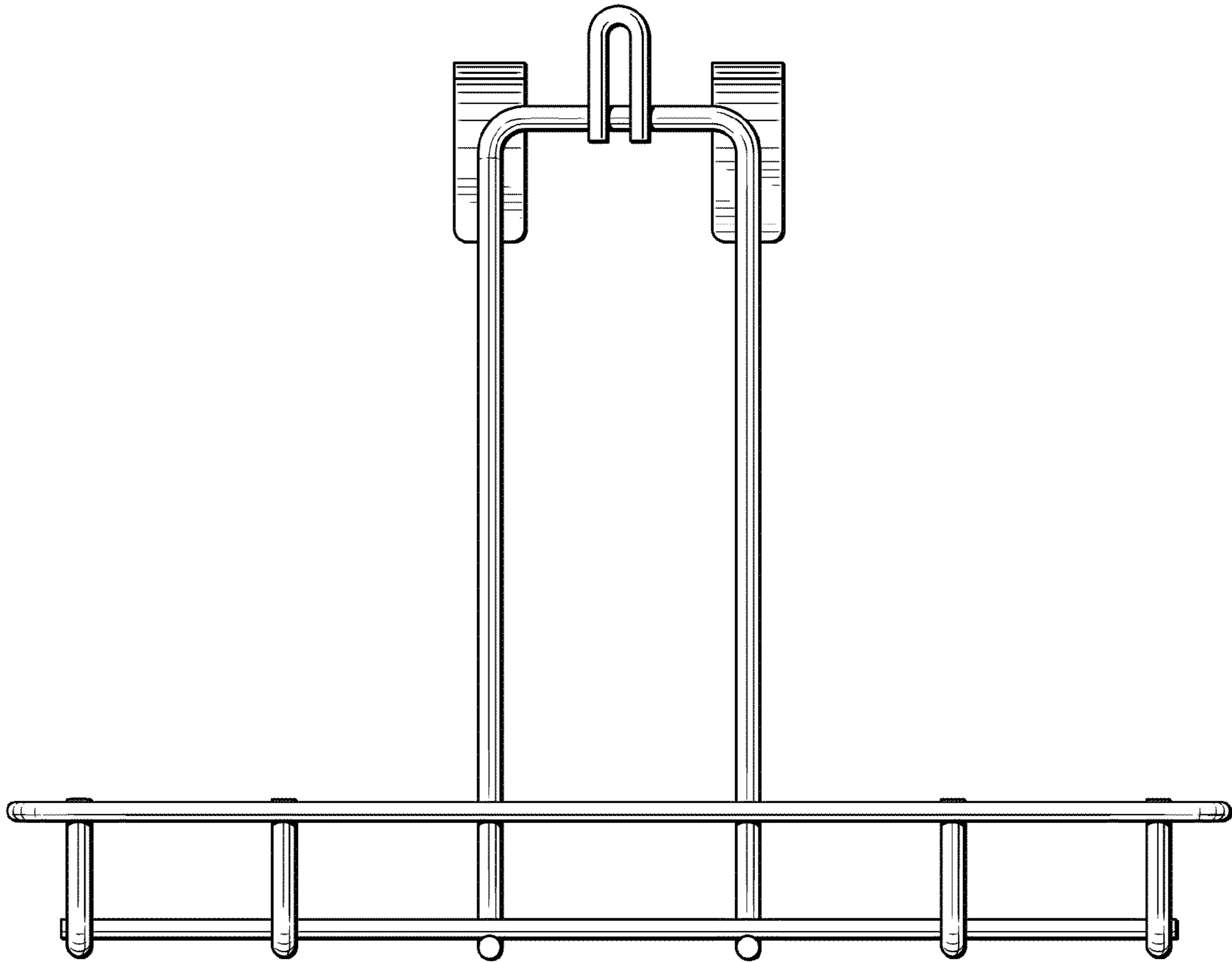


FIG. 5

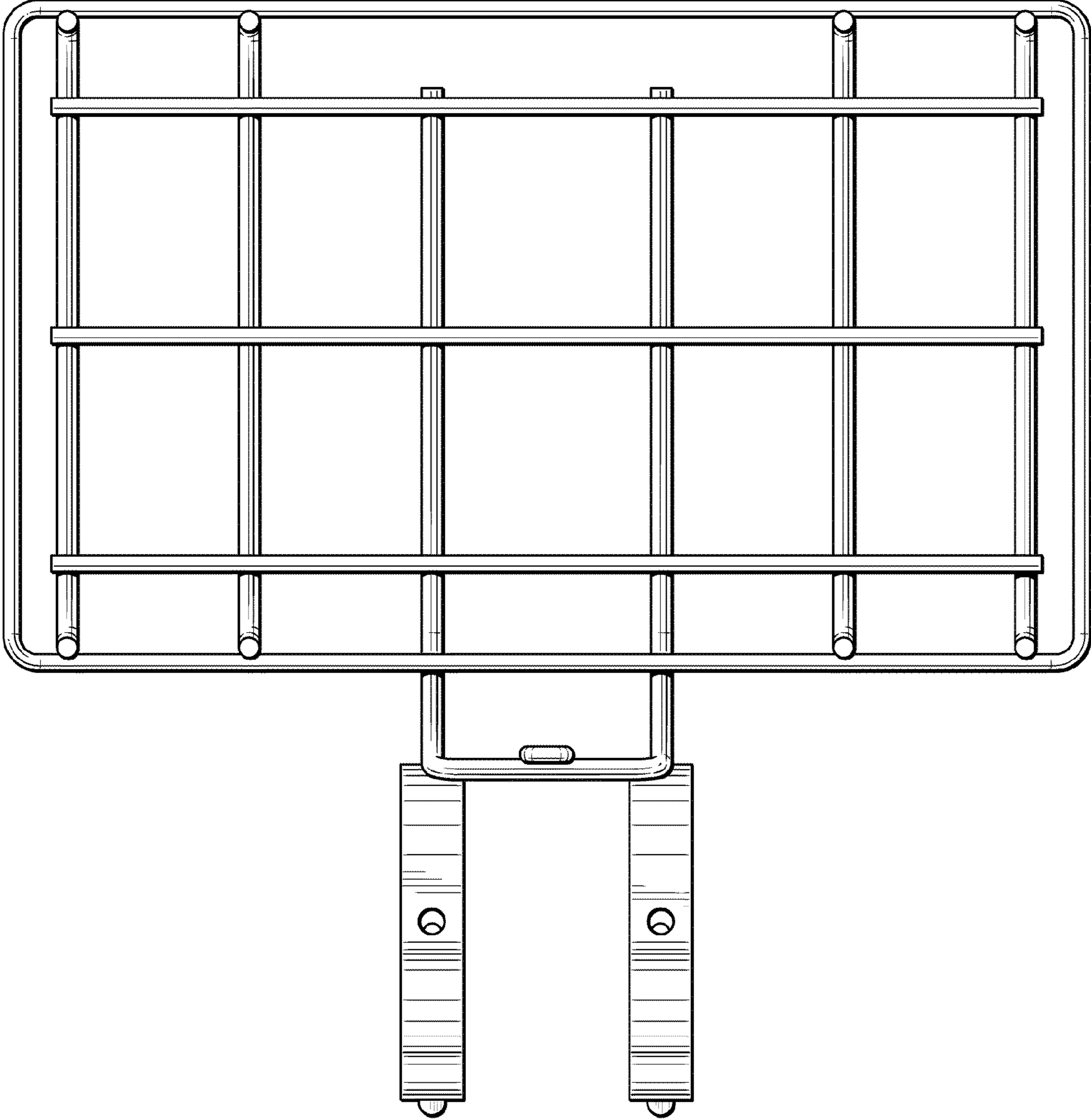


FIG. 6

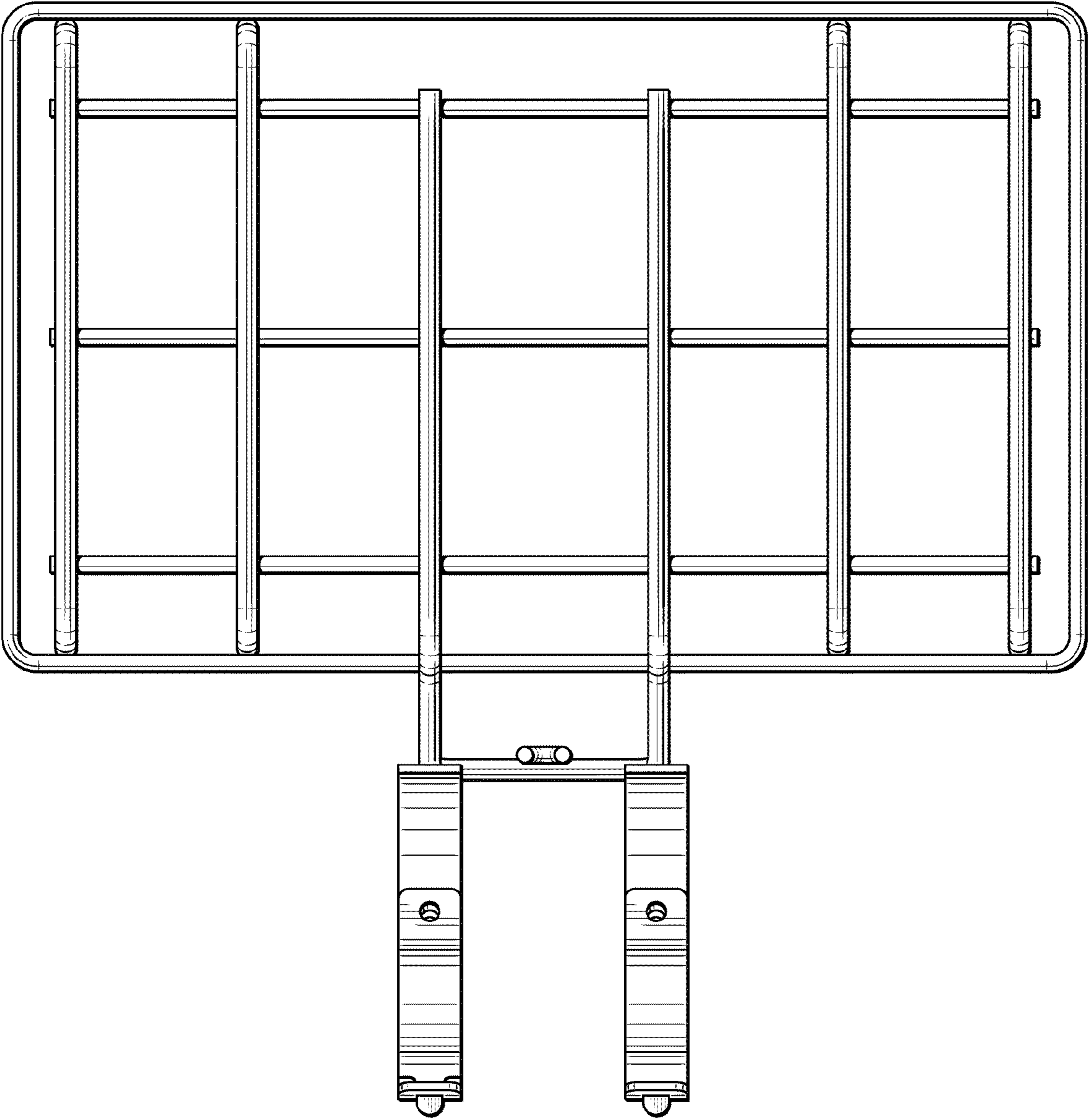


FIG. 7

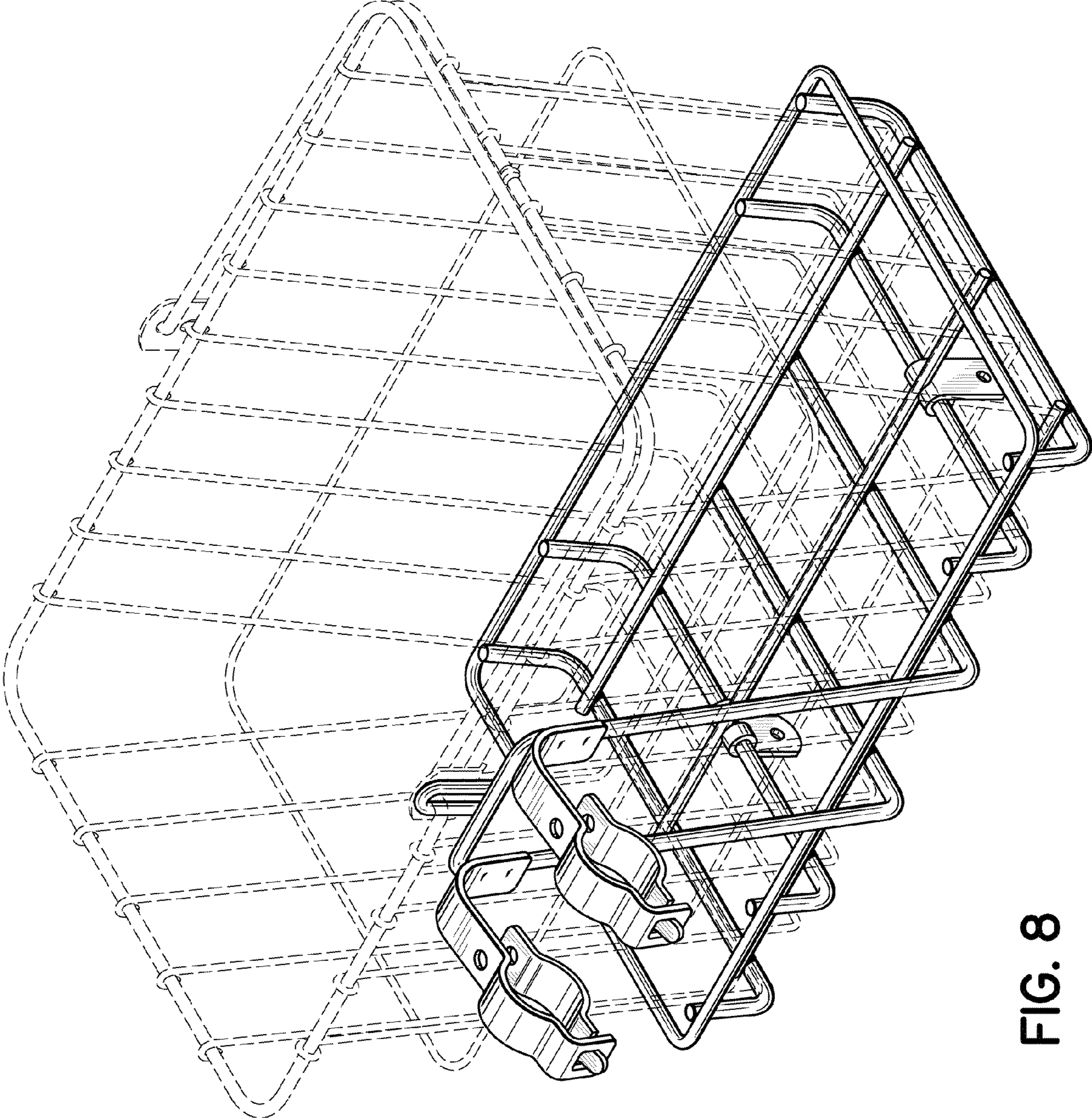


FIG. 8

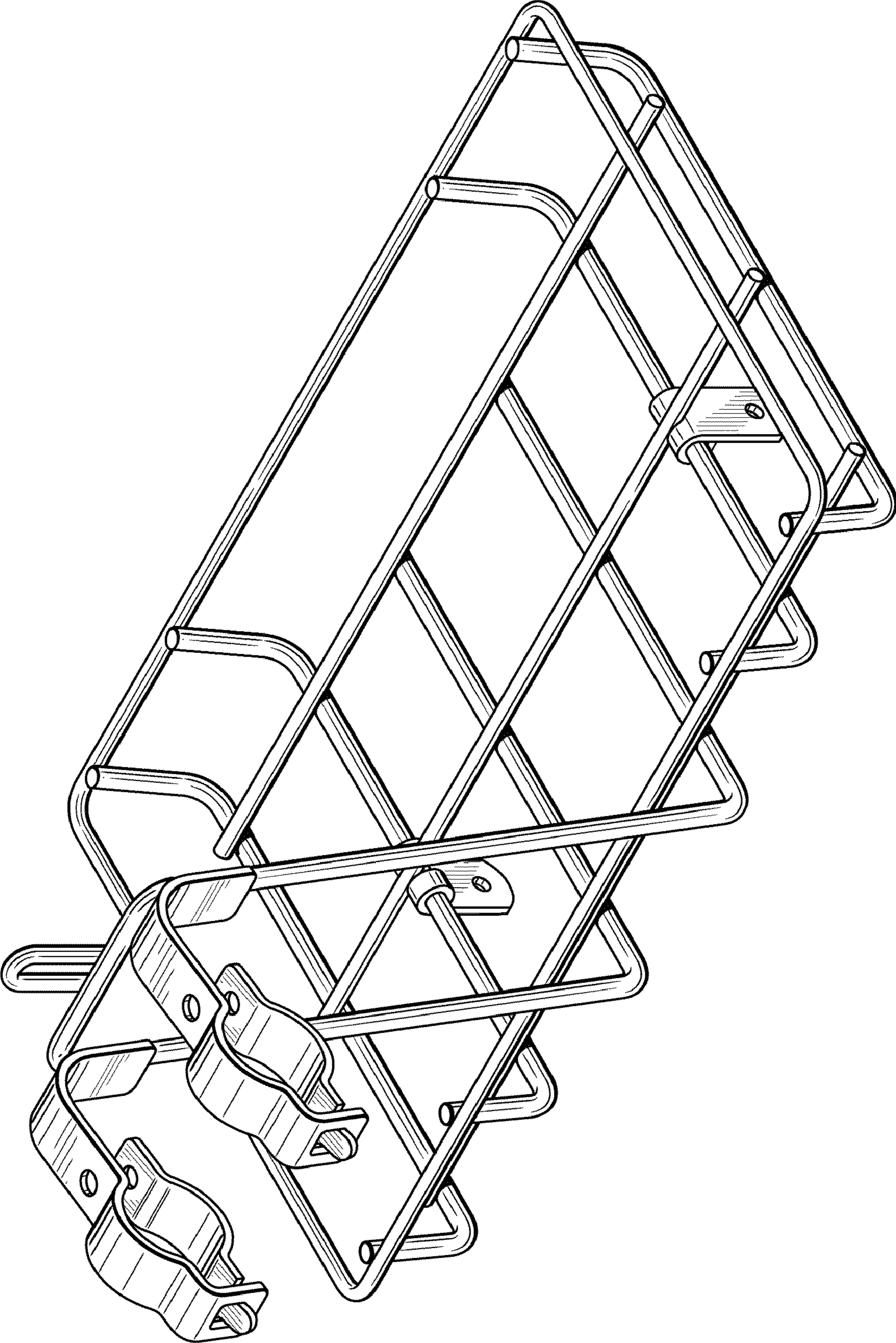


FIG. 9

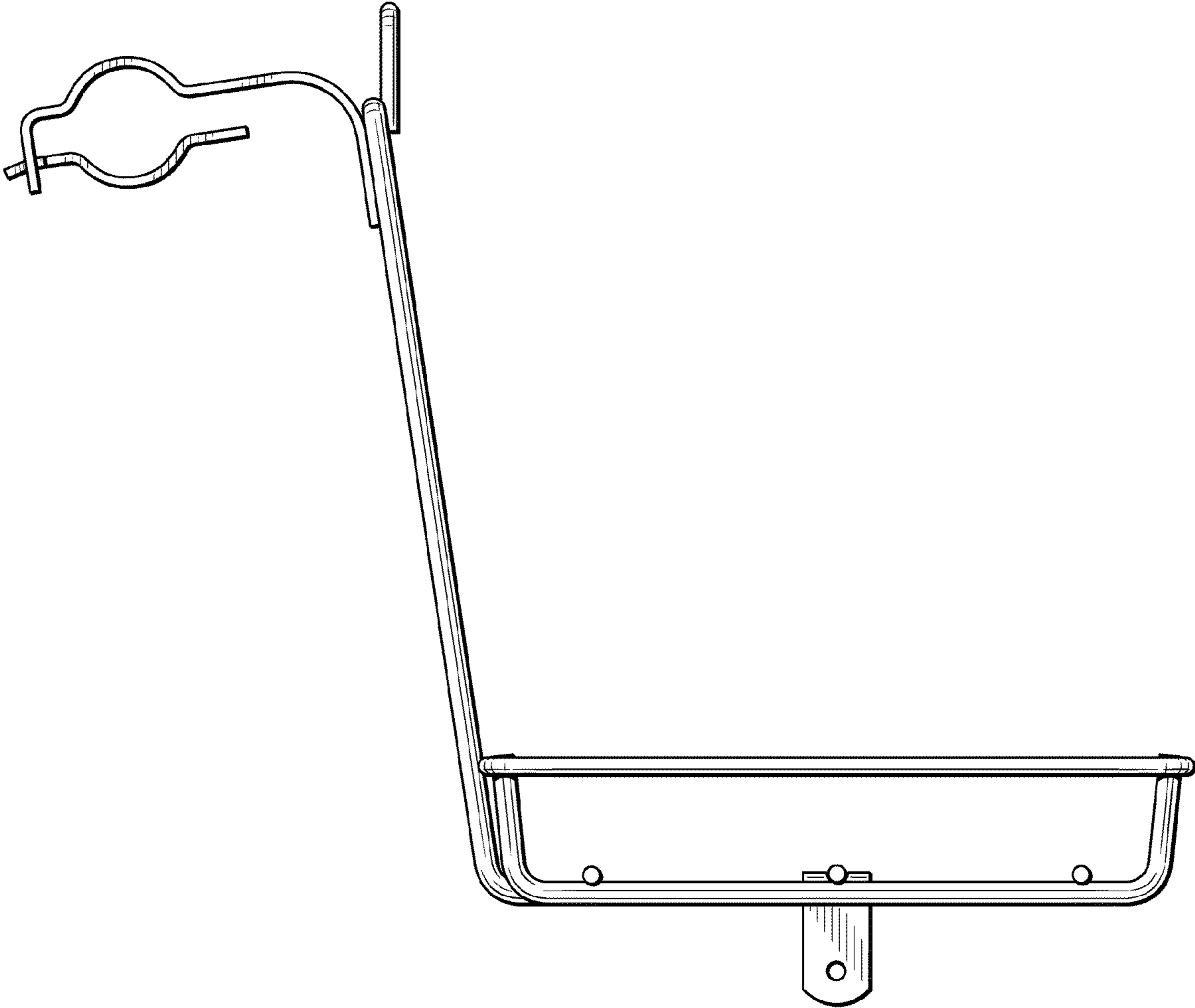


FIG. 10

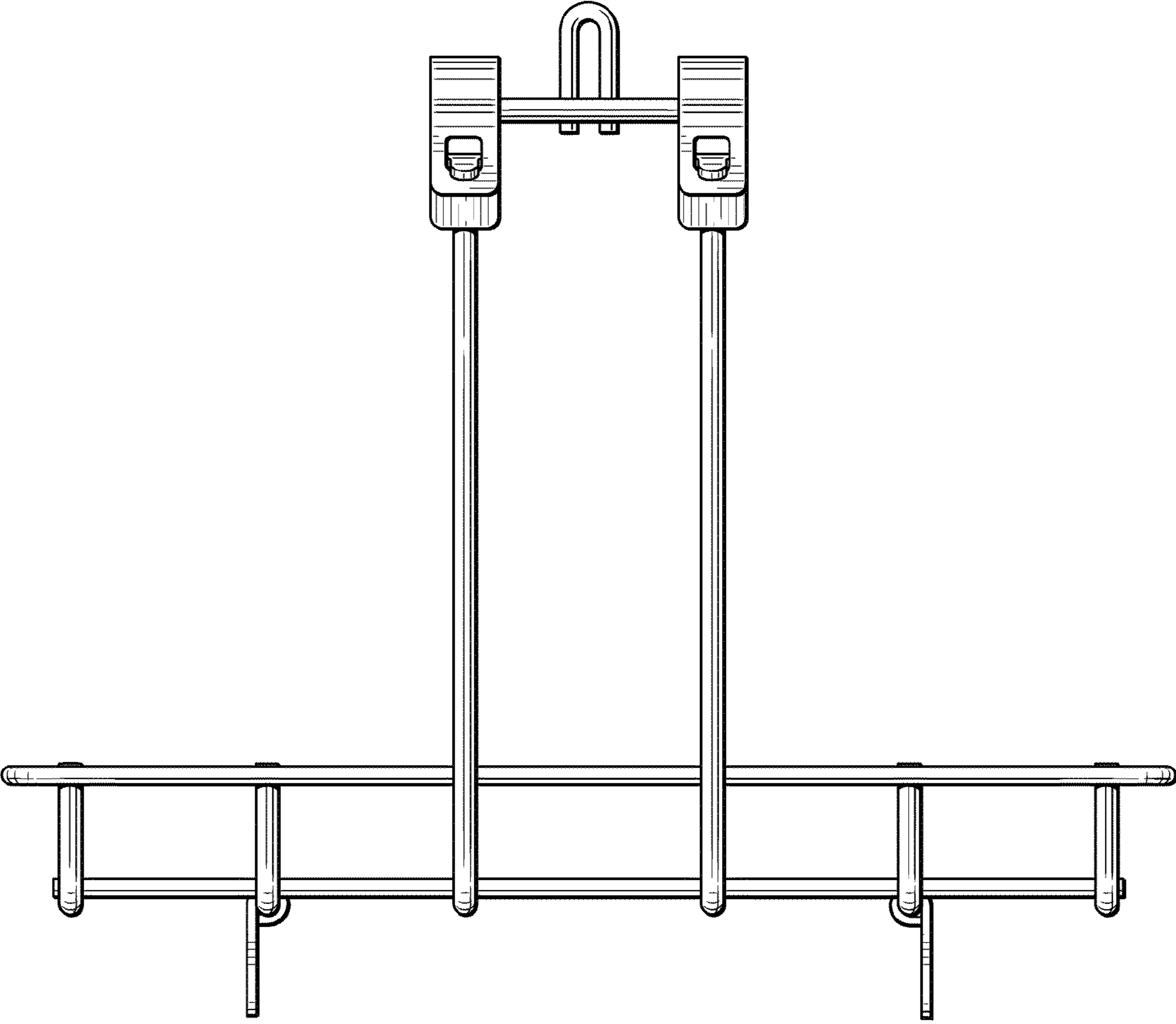


FIG. 11

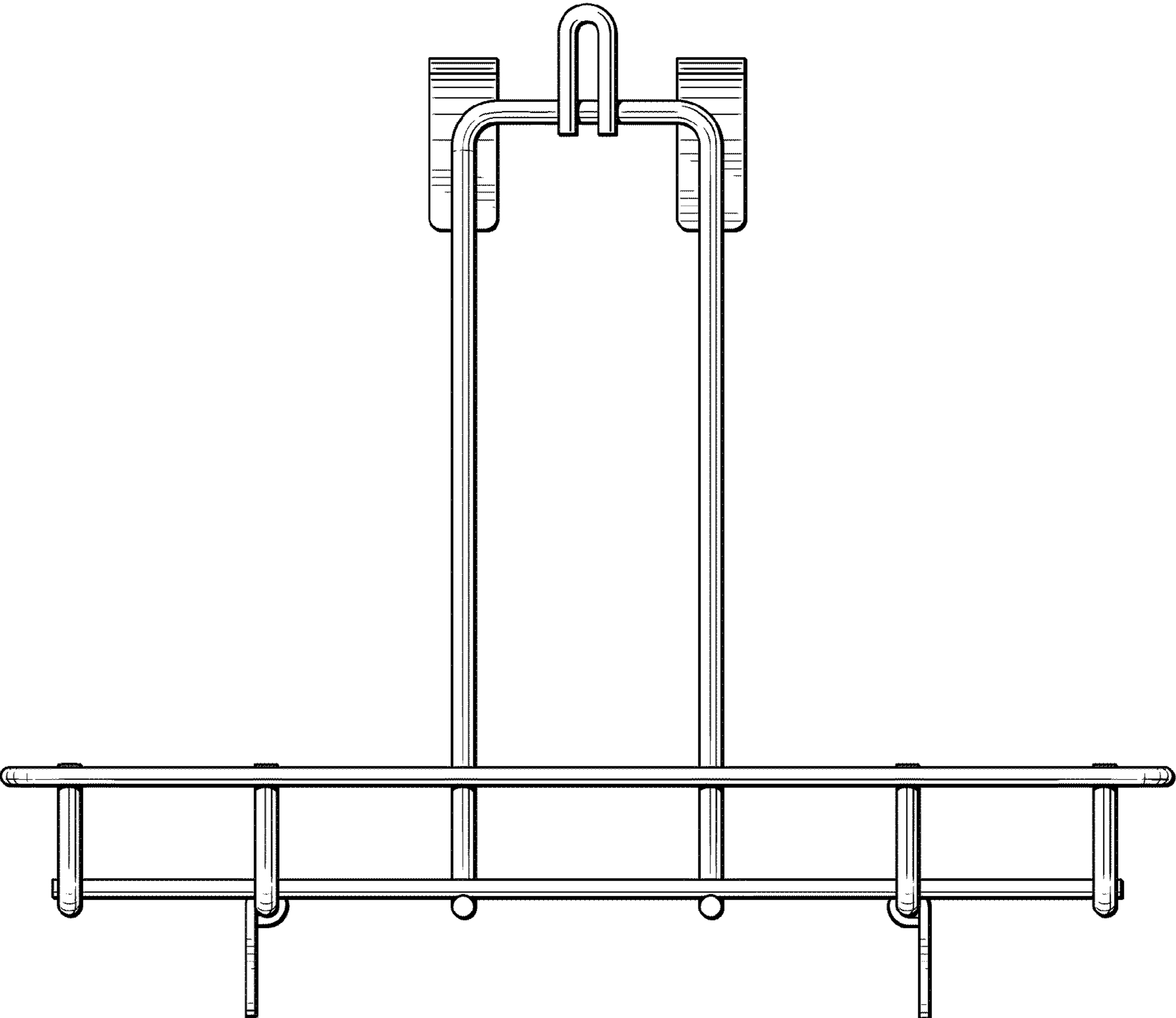


FIG. 12

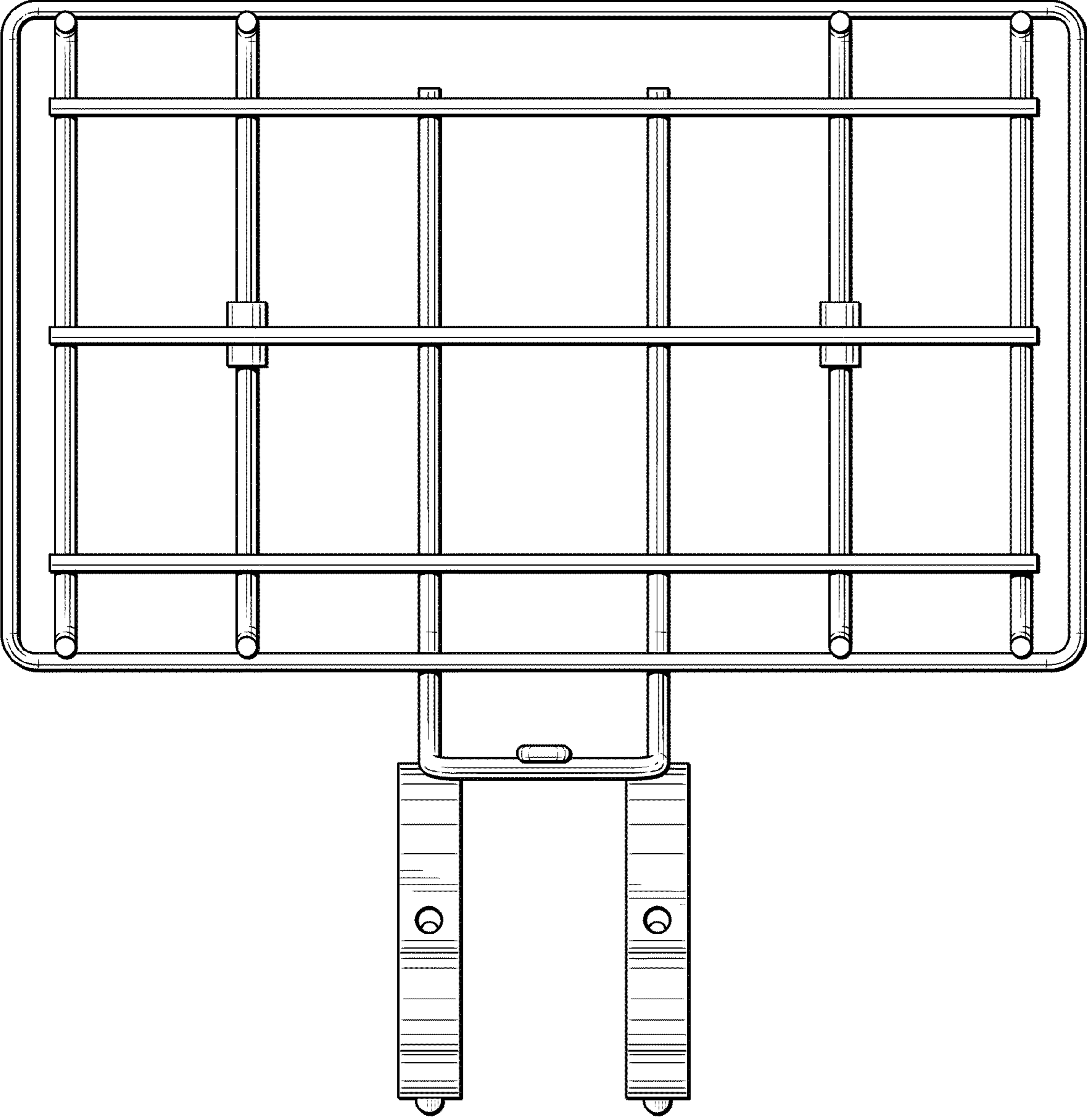


FIG. 13

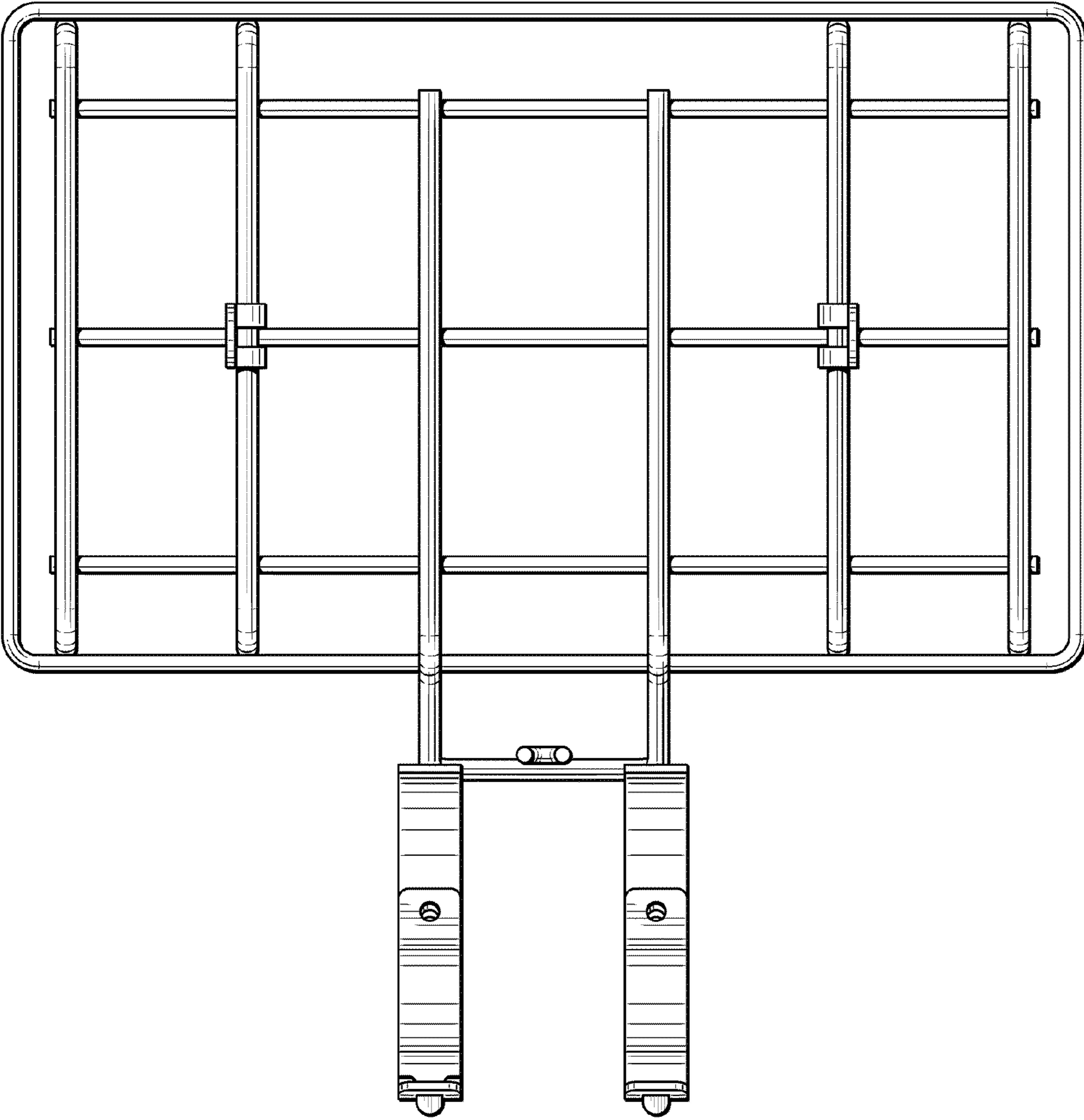


FIG. 14