



US00D676369S

(12) **United States Design Patent**
Buell

(10) **Patent No.:** **US D676,369 S**

(45) **Date of Patent:** **** Feb. 19, 2013**

(54) **WHEEL**

(75) Inventor: **Erik Buell**, Mukwonago, WI (US)

(73) Assignee: **Hero Motocorp Limited**, New Delhi (IN)

(**) Term: **14 Years**

(21) Appl. No.: **29/409,861**

(22) Filed: **Dec. 29, 2011**

(51) **LOC (9) Cl.** **12-16**

(52) **U.S. Cl.** **D12/209**

(58) **Field of Classification Search** D12/204-213;
301/37.101, 64.101, 65, 64.201

See application file for complete search history.

(56) **References Cited**

U.S. PATENT DOCUMENTS

D427,558 S *	7/2000	Neeper	D12/211
D559,757 S *	1/2008	Shimokawa et al.	D12/211
D573,078 S *	7/2008	Longpre et al.	D12/209
D623,113 S *	9/2010	Geisler	D12/211
D624,861 S *	10/2010	Zhao	D12/209

D633,844 S *	3/2011	Scolari et al.	D12/209
D656,449 S *	3/2012	Zhao	D12/211
D659,627 S *	5/2012	Frei et al.	D12/209

* cited by examiner

Primary Examiner — Stacia Cadmus

(74) *Attorney, Agent, or Firm* — Brinks Hofer Gilson & Lione

(57) **CLAIM**

I claim the ornamental design for a wheel, as shown and described.

DESCRIPTION

FIG. 1 is a perspective view of a first embodiment of my new design of a wheel;

FIG. 2 is a front view of my design shown in FIG. 1;

FIG. 3 is a rear view of my design shown in FIG. 1;

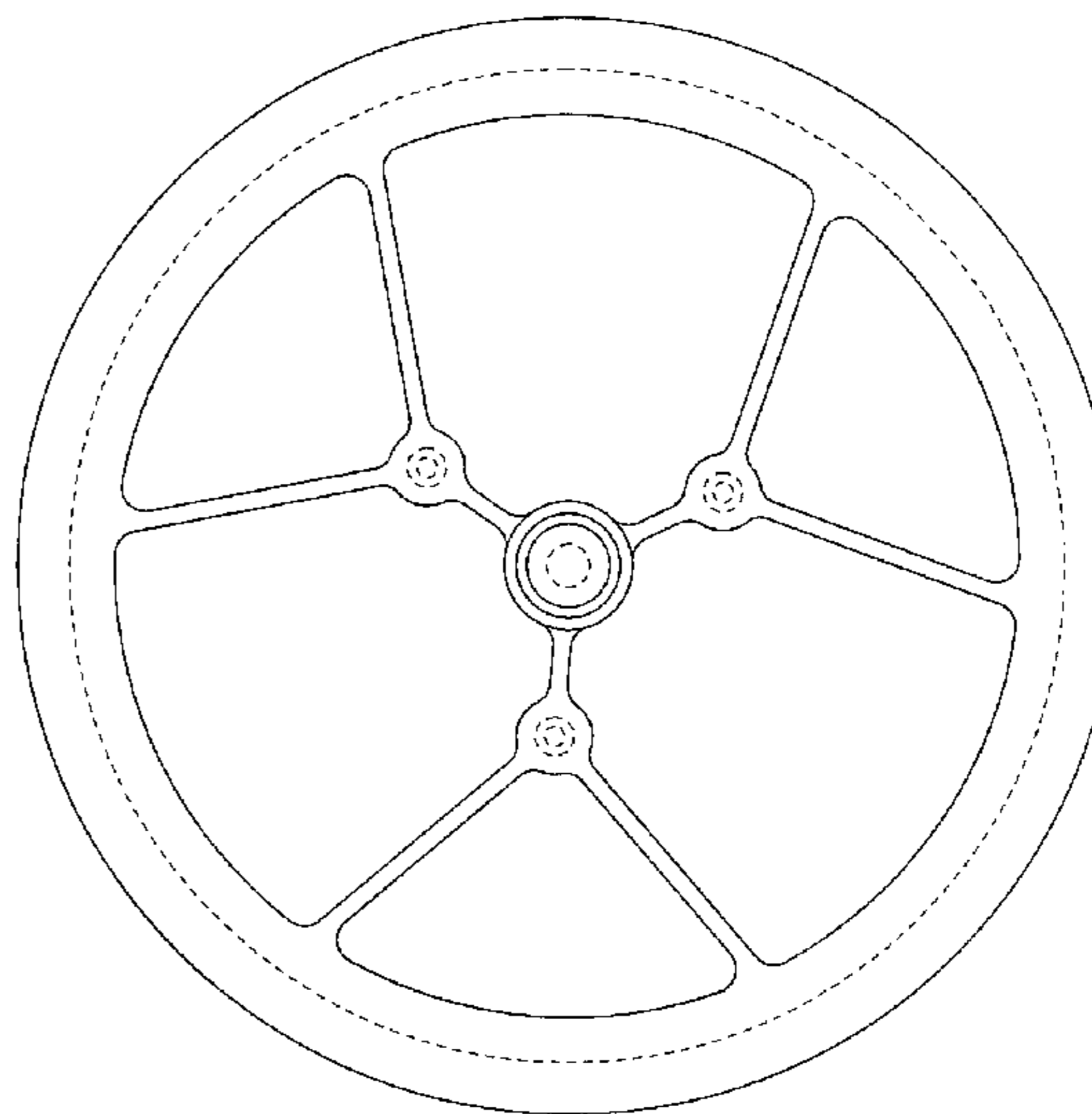
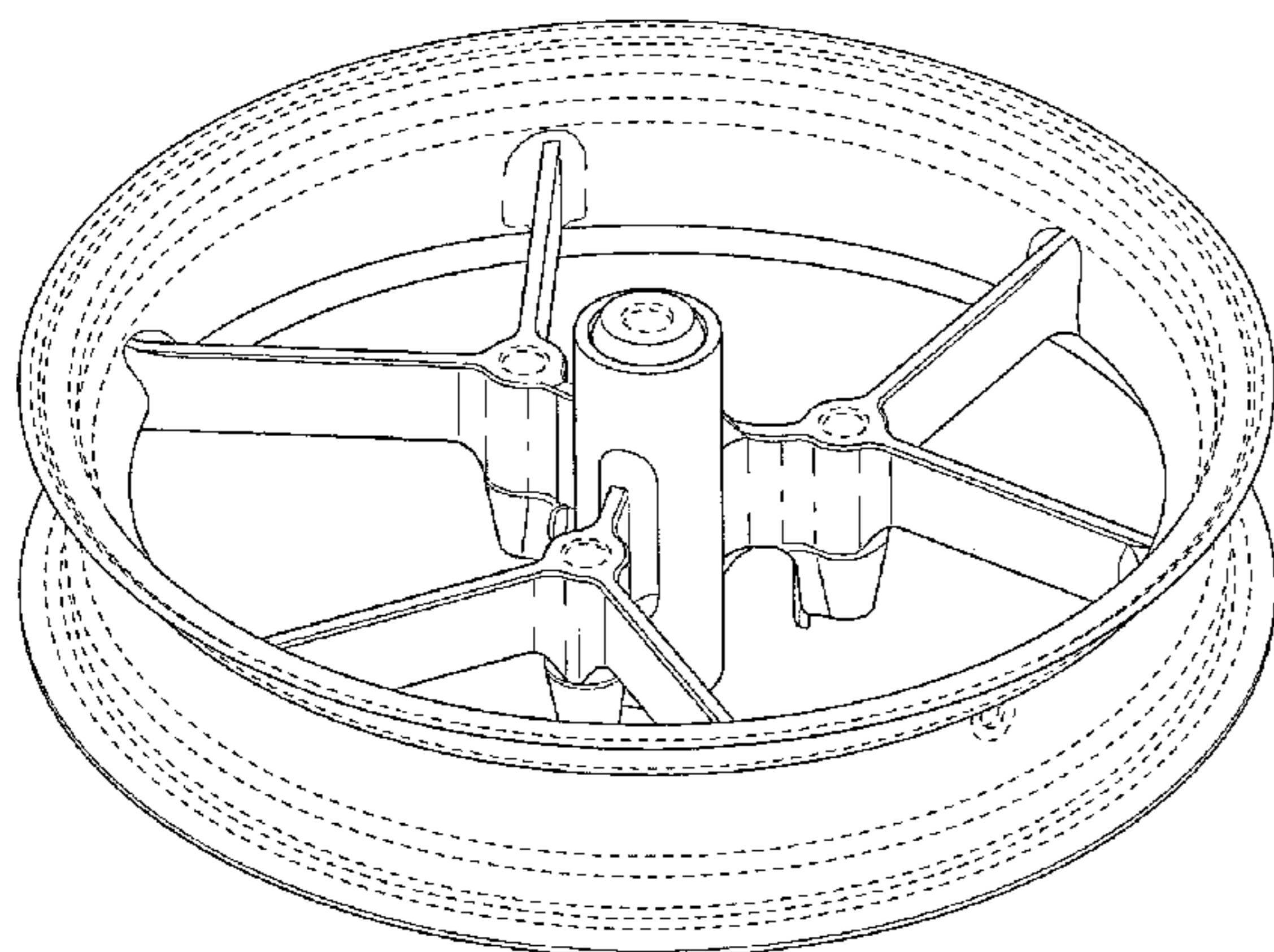
FIG. 4 is a left-side view of my design shown in FIG. 1;

FIG. 5 is a right-side view of my design shown in FIG. 1;

FIG. 6 is a top view of my design shown in FIG. 1; and,

FIG. 7 is a bottom view of my design shown in FIG. 1.

1 Claim, 6 Drawing Sheets



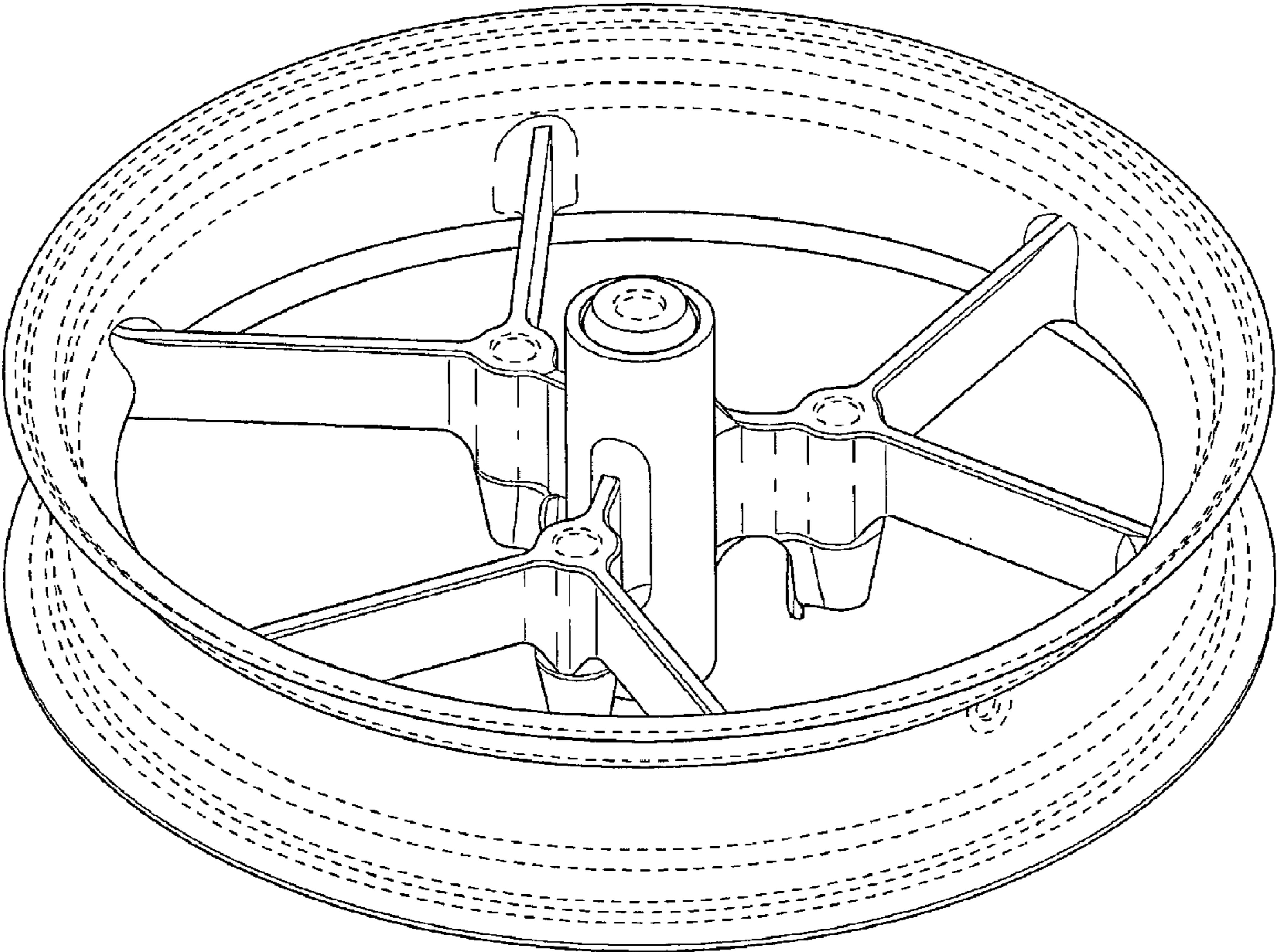


Figure 1

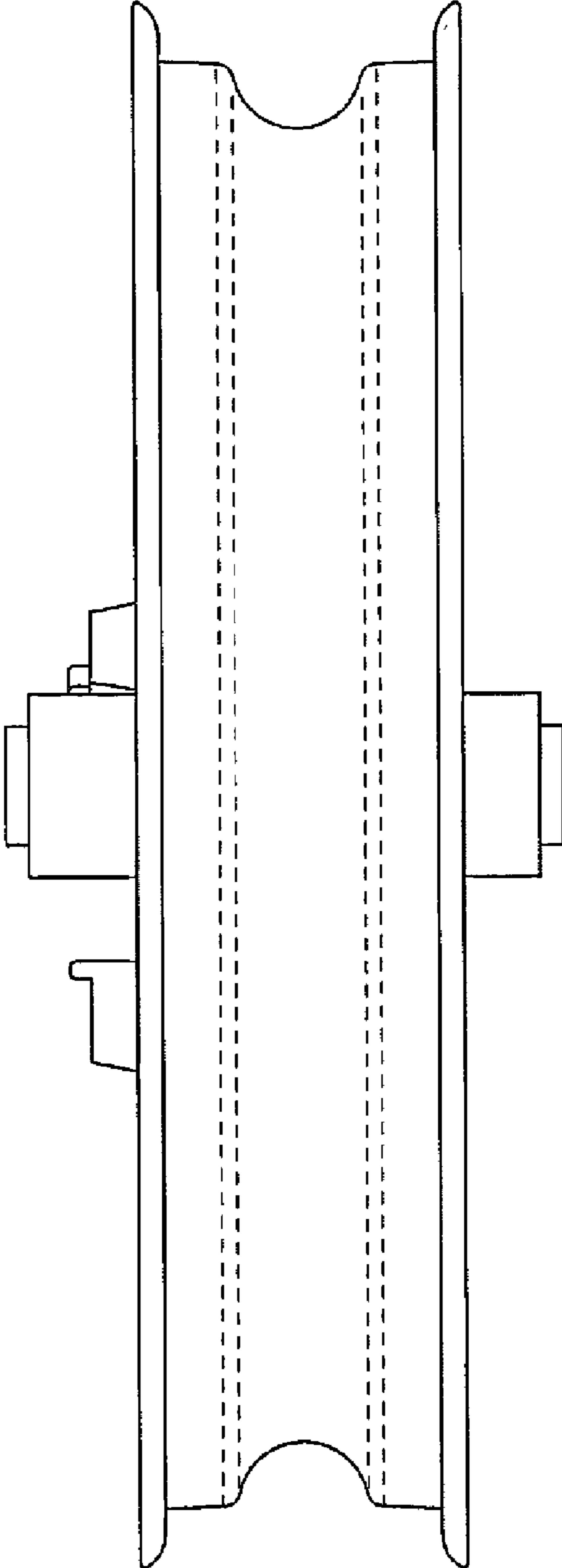


Figure 2

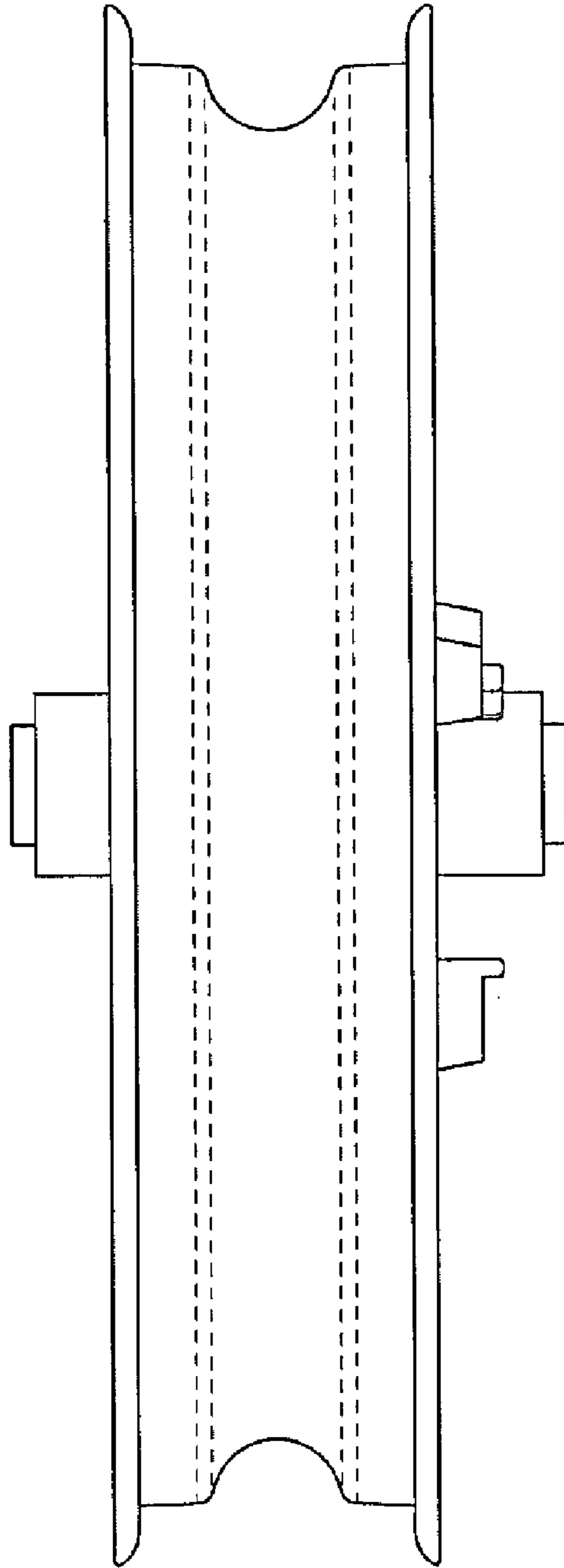


Figure 3

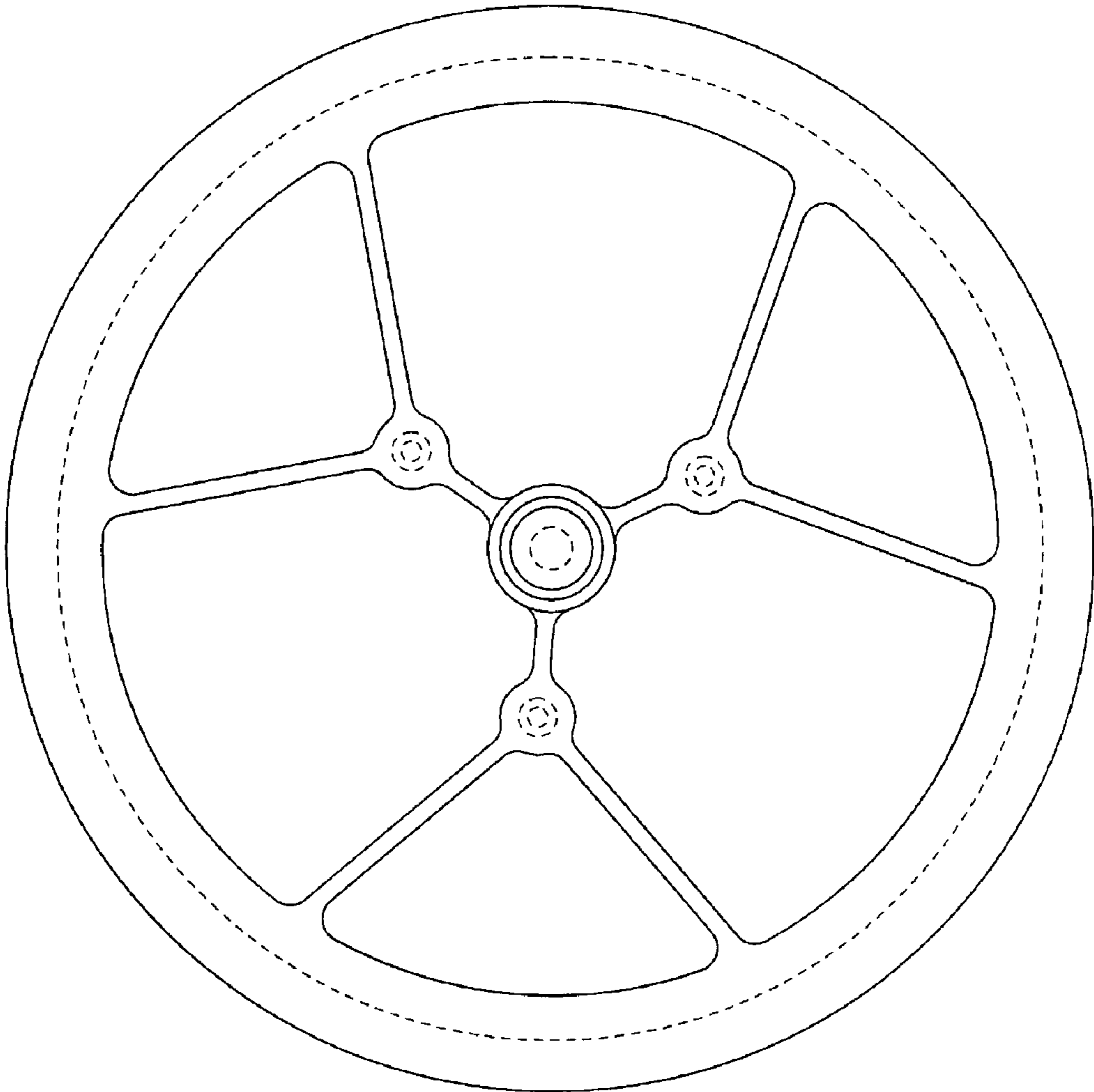


Figure 4

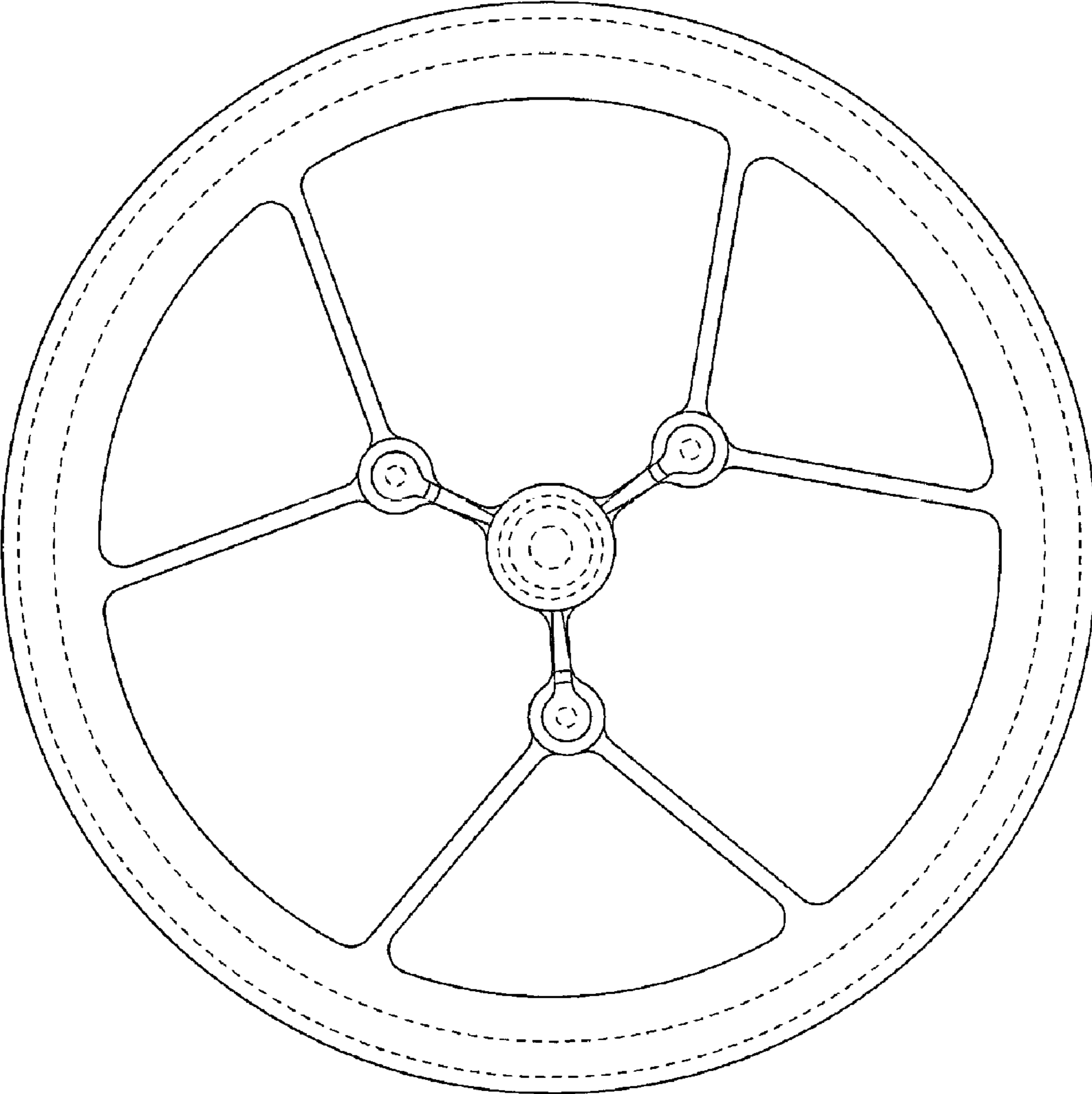


Figure 5

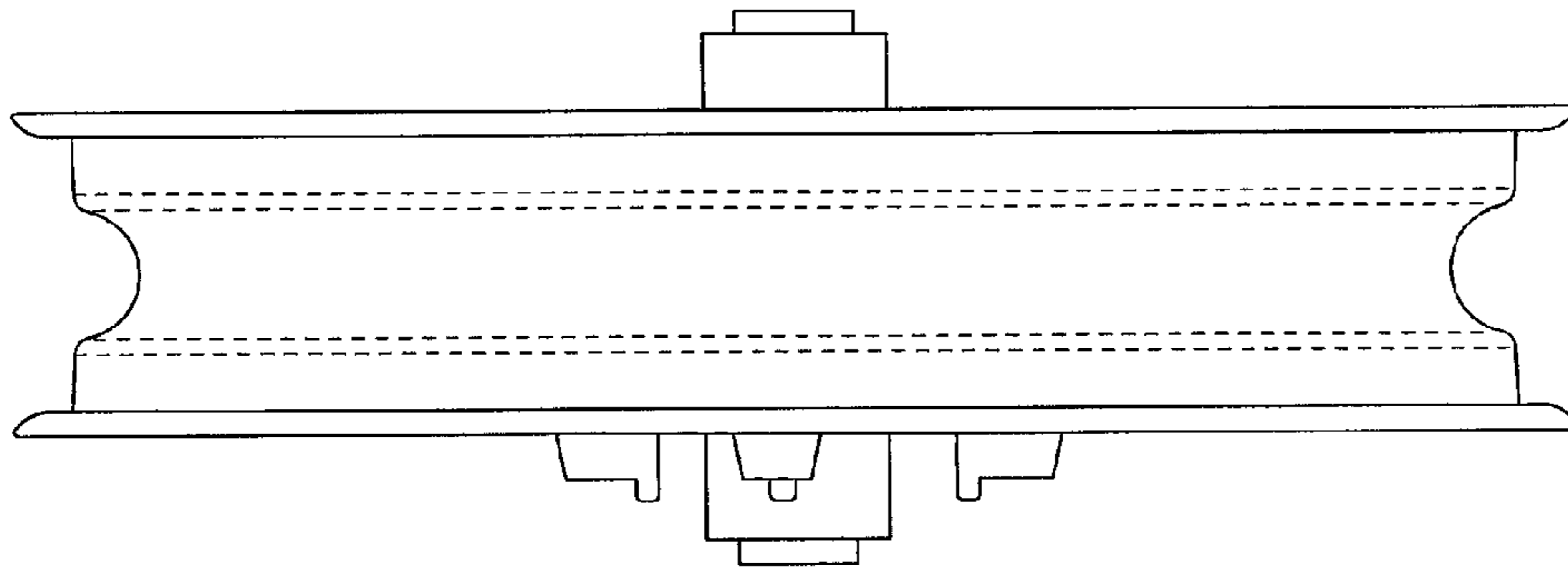


Figure 6

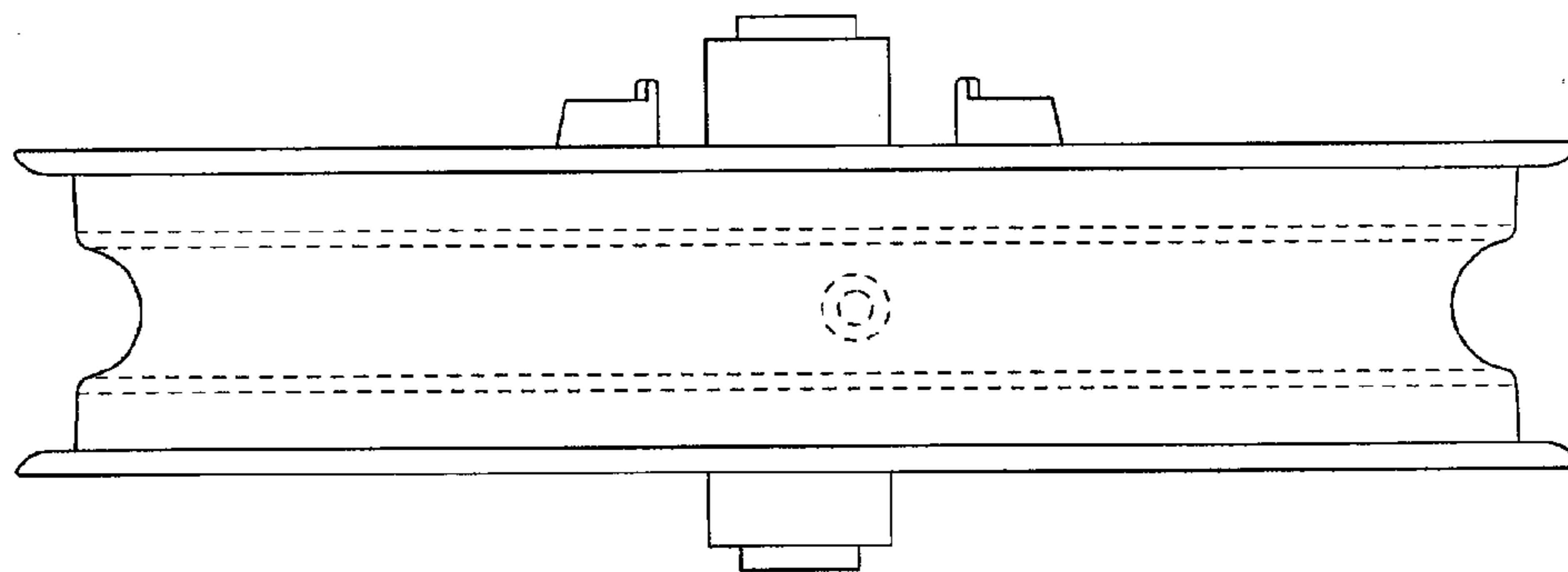


Figure 7