

US00D676366S

(12) **United States Design Patent**
Yamada et al.

(10) **Patent No.:** **US D676,366 S**
(45) **Date of Patent:** **** Feb. 19, 2013**

(54) **DOOR FOR AN AUTOMOBILE**

(75) Inventors: **Masayuki Yamada**, Aichi-ken (JP);
Junichi Toura, Shizuoka-ken (JP)

(73) Assignee: **Toyota Jidosha Kabushiki Kaisha**,
Toyota-shi (JP)

(**) Term: **14 Years**

(21) Appl. No.: **29/405,086**

(22) Filed: **Oct. 28, 2011**

(51) **LOC (9) Cl.** **12-16**

(52) **U.S. Cl.** **D12/196**

(58) **Field of Classification Search** D12/196,
D12/90-92, 86; 296/181.1, 181.5
See application file for complete search history.

(56) **References Cited**

U.S. PATENT DOCUMENTS

D508,004	S	*	8/2005	Metros et al.	D12/196
D580,331	S	*	11/2008	Gueler et al.	D12/196
D593,016	S	*	5/2009	Habib	D12/196
D601,072	S	*	9/2009	Giachin	D12/196
D633,839	S	*	3/2011	Matei et al.	D12/196
D645,388	S	*	9/2011	Kumai et al.	D12/196
D645,804	S	*	9/2011	Kubo et al.	D12/196
D653,187	S	*	1/2012	Tomatsu et al.	D12/196

OTHER PUBLICATIONS

BMW 3-Series; www.webl.io.jp/; Dec. 22, 2010.
Corolla Sedan, www.corolla-m.co.jp/; Dec. 22, 2010.

* cited by examiner

Primary Examiner — Melody N Brown

(74) *Attorney, Agent, or Firm* — Finnegan, Henderson,
Farabow, Garrett & Dunner, LLP

(57) **CLAIM**

The ornamental design for a door for an automobile, as shown
and described.

DESCRIPTION

FIG. 1 is a right front perspective view of a door for an
automobile showing our new design;
FIG. 2 is a left front perspective view thereof;
FIG. 3 is a front view thereof;
FIG. 4 is a rear view thereof;
FIG. 5 is a right side view thereof;
FIG. 6 is a left side view thereof;
FIG. 7 is a top plan view thereof; and,
FIG. 8 is a bottom view thereof.

The claimed design includes a mirror image of the embodi-
ment depicted.

1 Claim, 4 Drawing Sheets



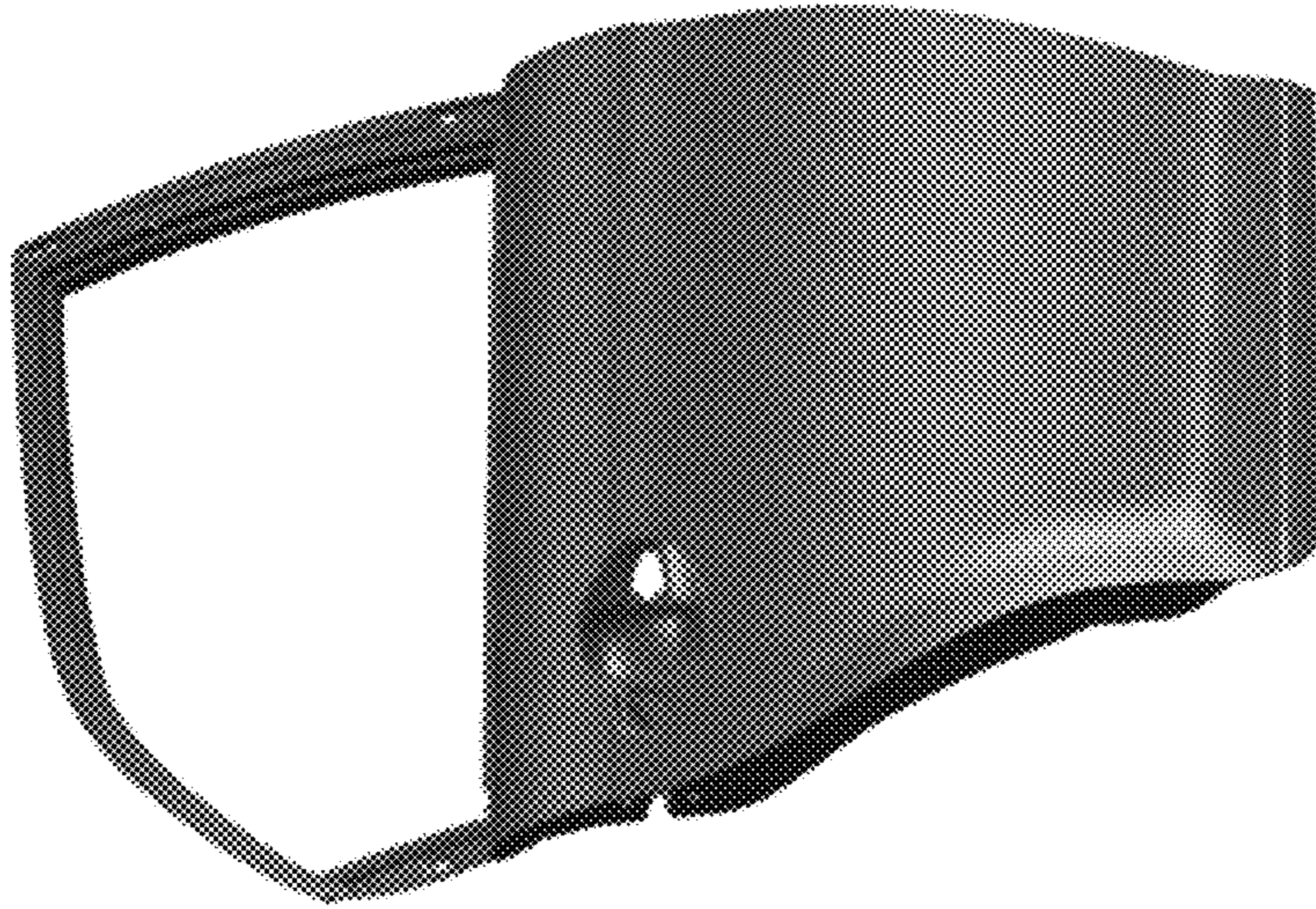


FIG. 1

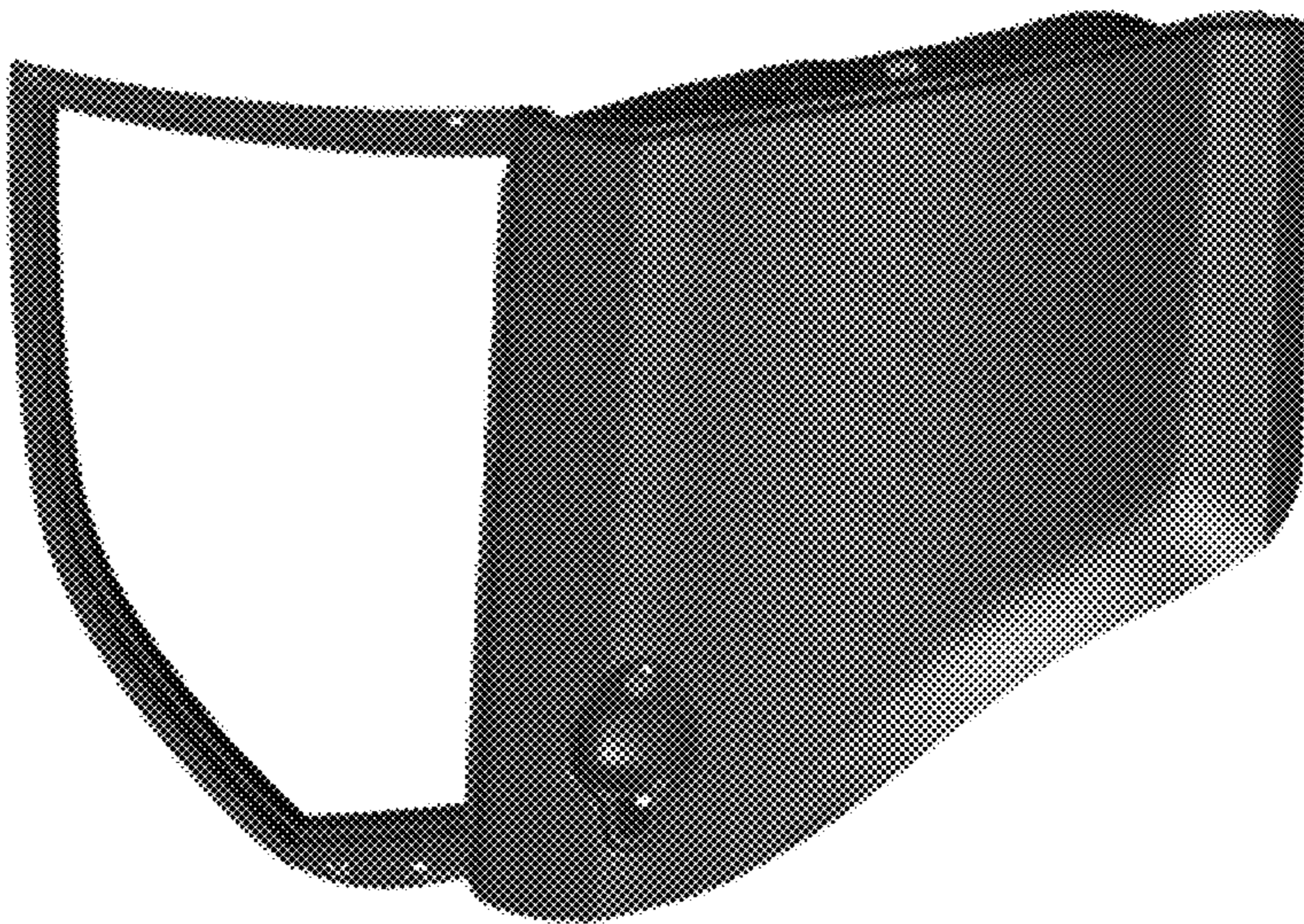


FIG. 2

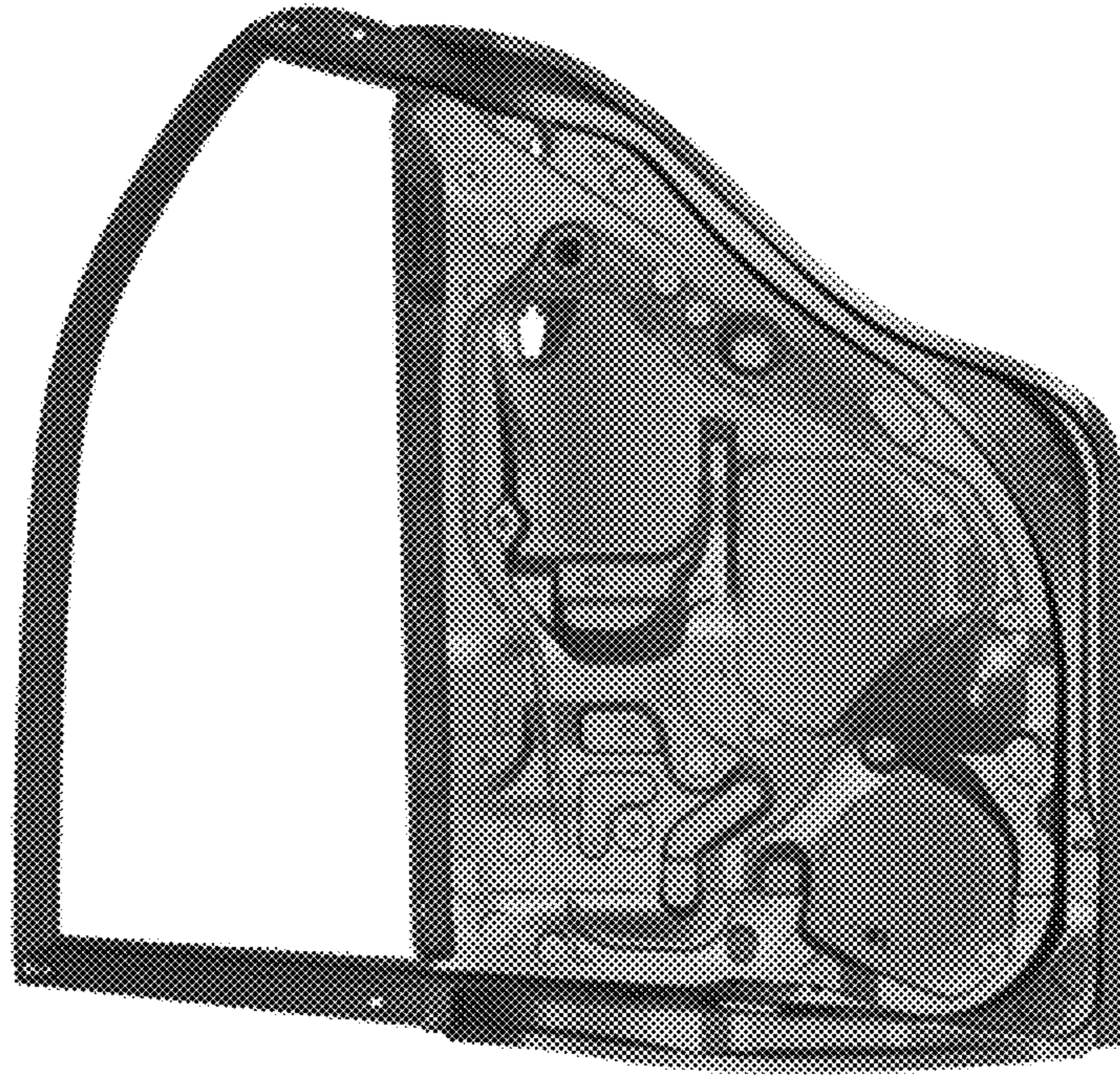


FIG. 4

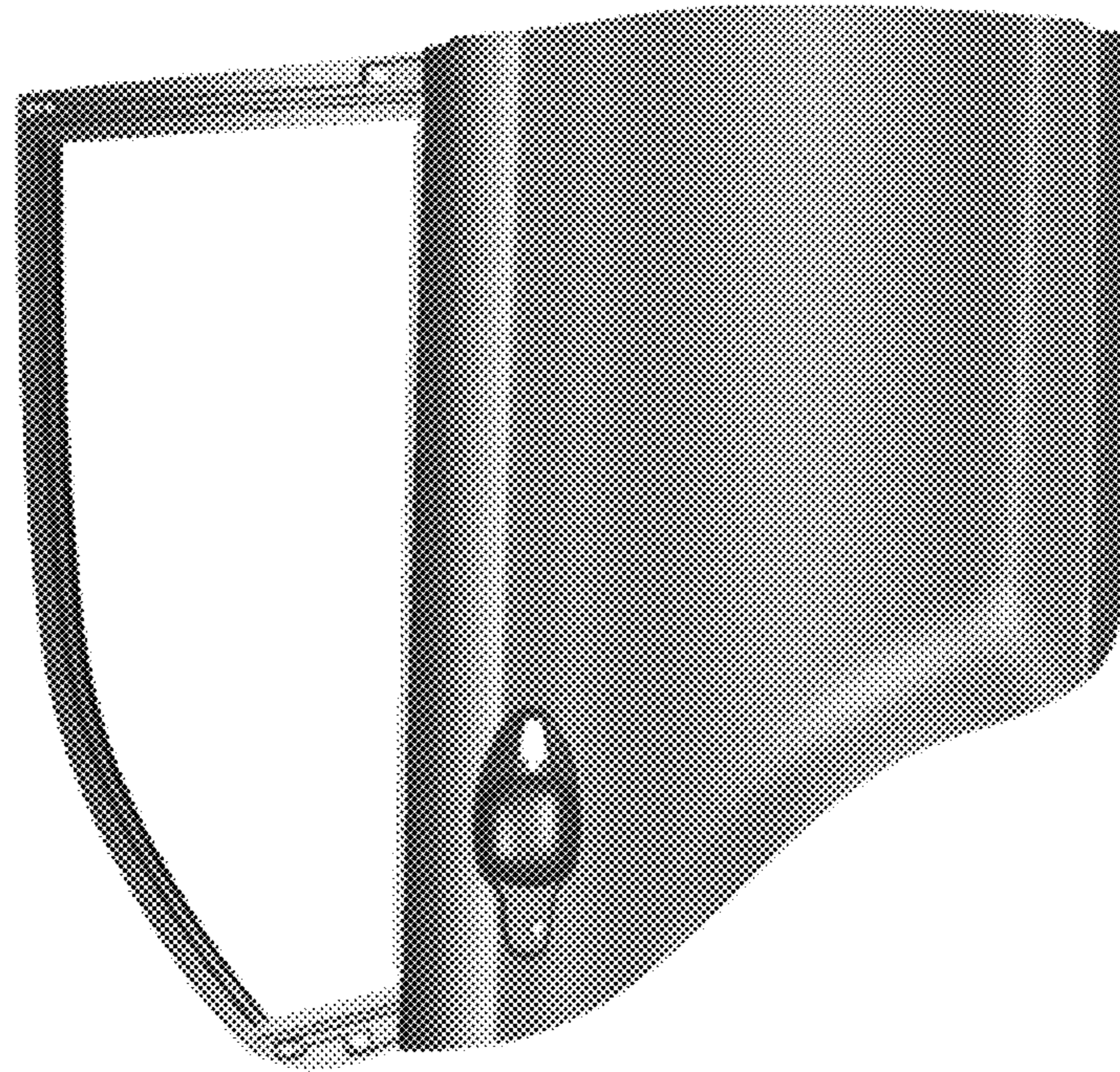


FIG. 3



FIG. 5



FIG. 6

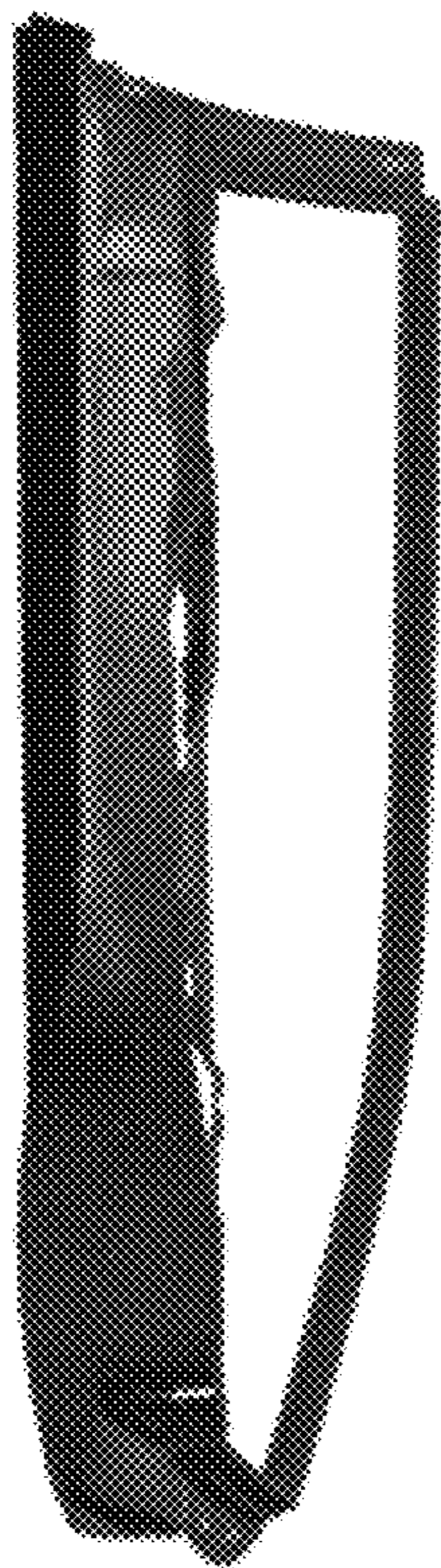


FIG. 8

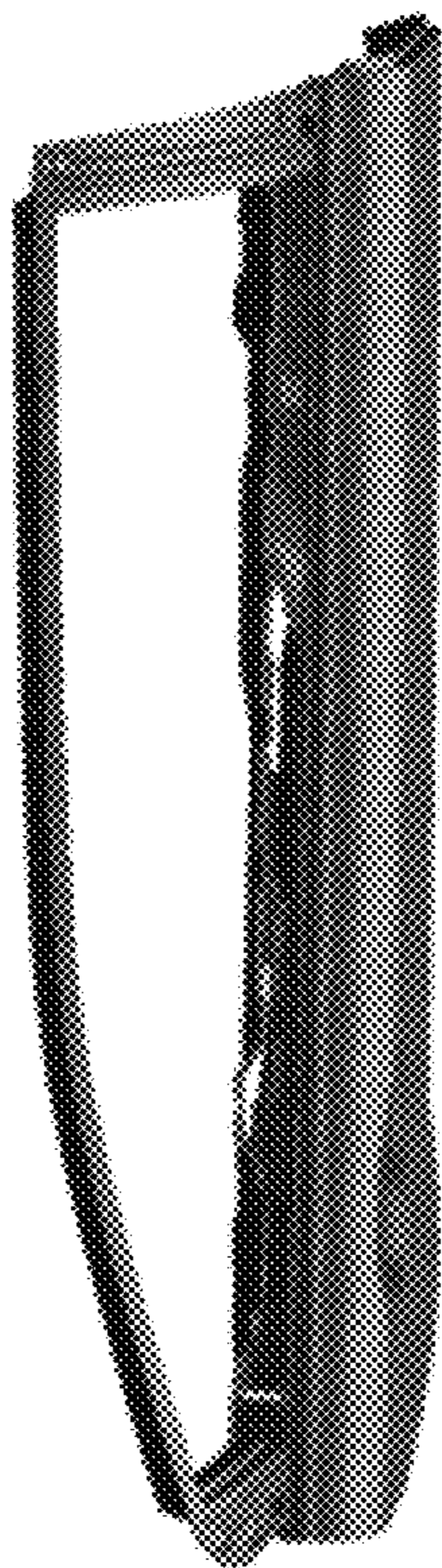


FIG. 7