



US00D676363S

(12) **United States Design Patent**
Wise

(10) **Patent No.:** **US D676,363 S**

(45) **Date of Patent:** **** Feb. 19, 2013**

(54) **TRAILER HITCH COVER**

(76) Inventor: **Dan Wise**, Norcross, GA (US)

(**) Term: **14 Years**

(21) Appl. No.: **29/428,404**

(22) Filed: **Jul. 31, 2012**

(51) **LOC (9) Cl.** **12-16**

(52) **U.S. Cl.** **D12/162**

(58) **Field of Classification Search** D12/159,
D12/160, 161, 162; 280/433, 507; 135/88.05;
150/166

See application file for complete search history.

(56) **References Cited**

U.S. PATENT DOCUMENTS

3,782,761	A *	1/1974	Cardin, Sr.	280/507
D326,834	S *	6/1992	Kuhlemeier et al.	D12/162
D370,171	S	5/1996	Emerson	
D419,505	S	1/2000	Deerman	
D424,485	S	5/2000	Parker	
D425,460	S	5/2000	Peroni	
D426,798	S *	6/2000	Peroni	D12/162
6,079,136	A *	6/2000	Kozlarek	40/541
D428,839	S	8/2000	Horowitz	
D433,358	S	11/2000	McBroom	
6,247,257	B1	6/2001	Powell	
D444,433	S	7/2001	McBroom	
6,463,686	B1 *	10/2002	Eisenbraun	40/591
D480,338	S	10/2003	Harwood	
D503,663	S *	4/2005	Kolflat	D12/162
D506,711	S	6/2005	Ruiz	
7,455,313	B2 *	11/2008	Yokosh et al.	280/507
D605,100	S *	12/2009	Douglas	D12/194
D623,099	S	9/2010	Wise	
D644,150	S	8/2011	Edick	

D648,661	S *	11/2011	Sullivan et al.	D12/162
D666,538	S *	9/2012	Duffy	D12/162
2002/0101055	A1 *	8/2002	Warren	280/477
2003/0141699	A1 *	7/2003	Collins	280/507
2007/0109145	A1 *	5/2007	Tang	340/815.45
2011/0252676	A1 *	10/2011	Stringer	40/210
2012/0049484	A1 *	3/2012	Brass	280/507

* cited by examiner

Primary Examiner — Michael A Pratt

(74) *Attorney, Agent, or Firm* — QuickPatents; Kevin Prince

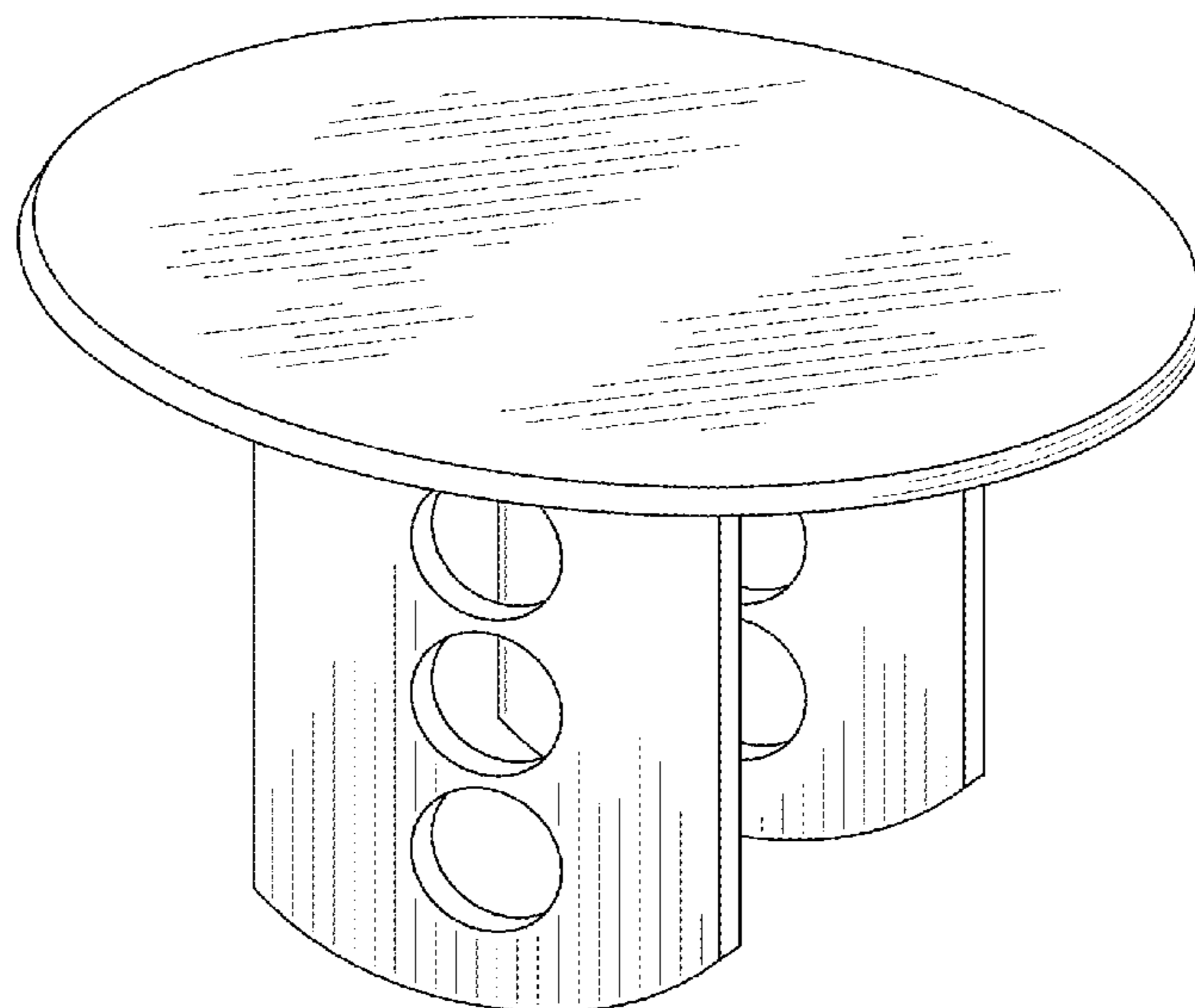
(57) **CLAIM**

I claim the ornamental design for a trailer hitch cover, as shown and described.

DESCRIPTION

FIG. 1 is a front perspective view of a first embodiment of a trailer hitch cover, showing my new design;
 FIG. 2 is a rear perspective view of FIG. 1;
 FIG. 3 is a right-side elevational view of FIG. 1, the left-side elevational view being a mirror image thereof;
 FIG. 4 is a top plan view of FIG. 1, the bottom plan view being a mirror image thereof;
 FIG. 5 is a front elevational view of FIG. 1;
 FIG. 6 is a rear elevational view of FIG. 1;
 FIG. 7 is a front perspective view of a second embodiment thereof;
 FIG. 8 is a rear perspective view of FIG. 7;
 FIG. 9 is a right-side elevational view of FIG. 7, the left-side elevational view being a mirror image thereof;
 FIG. 10 is a top plan view of FIG. 7, the bottom plan view being a mirror image thereof;
 FIG. 11 is a front elevational view of FIG. 7; and,
 FIG. 12 is a rear elevational view of FIG. 7.

1 Claim, 6 Drawing Sheets



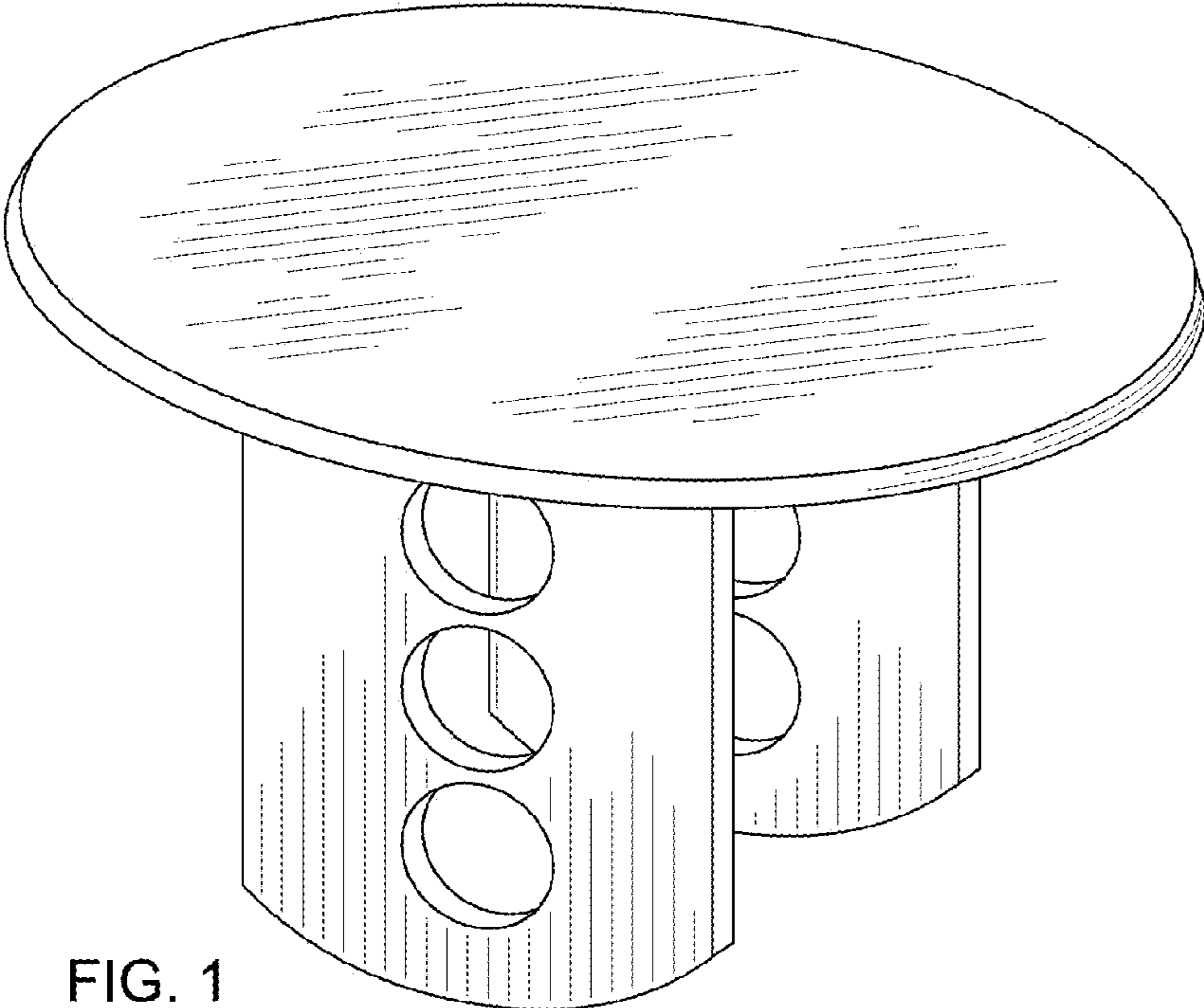


FIG. 1

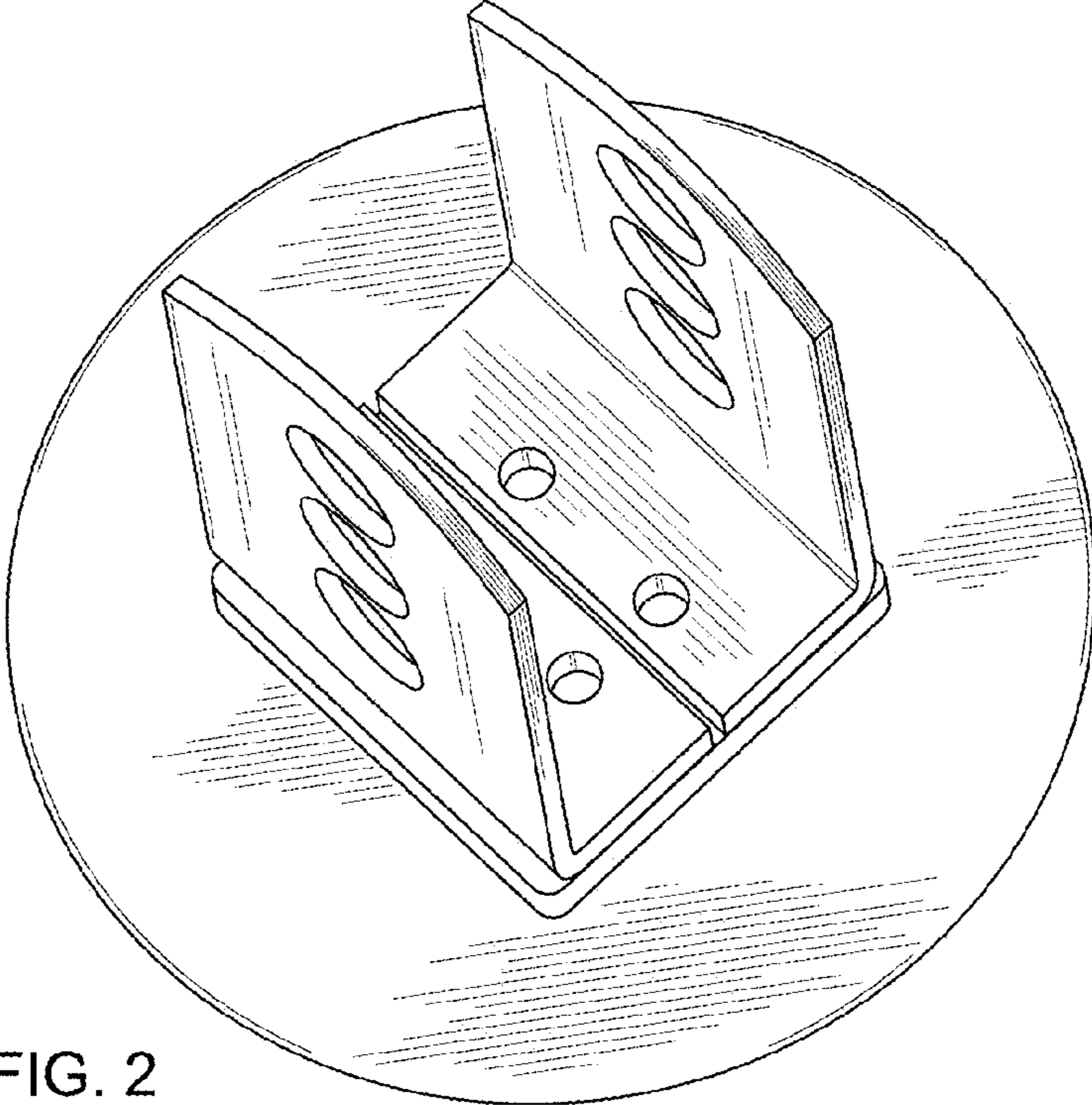


FIG. 2

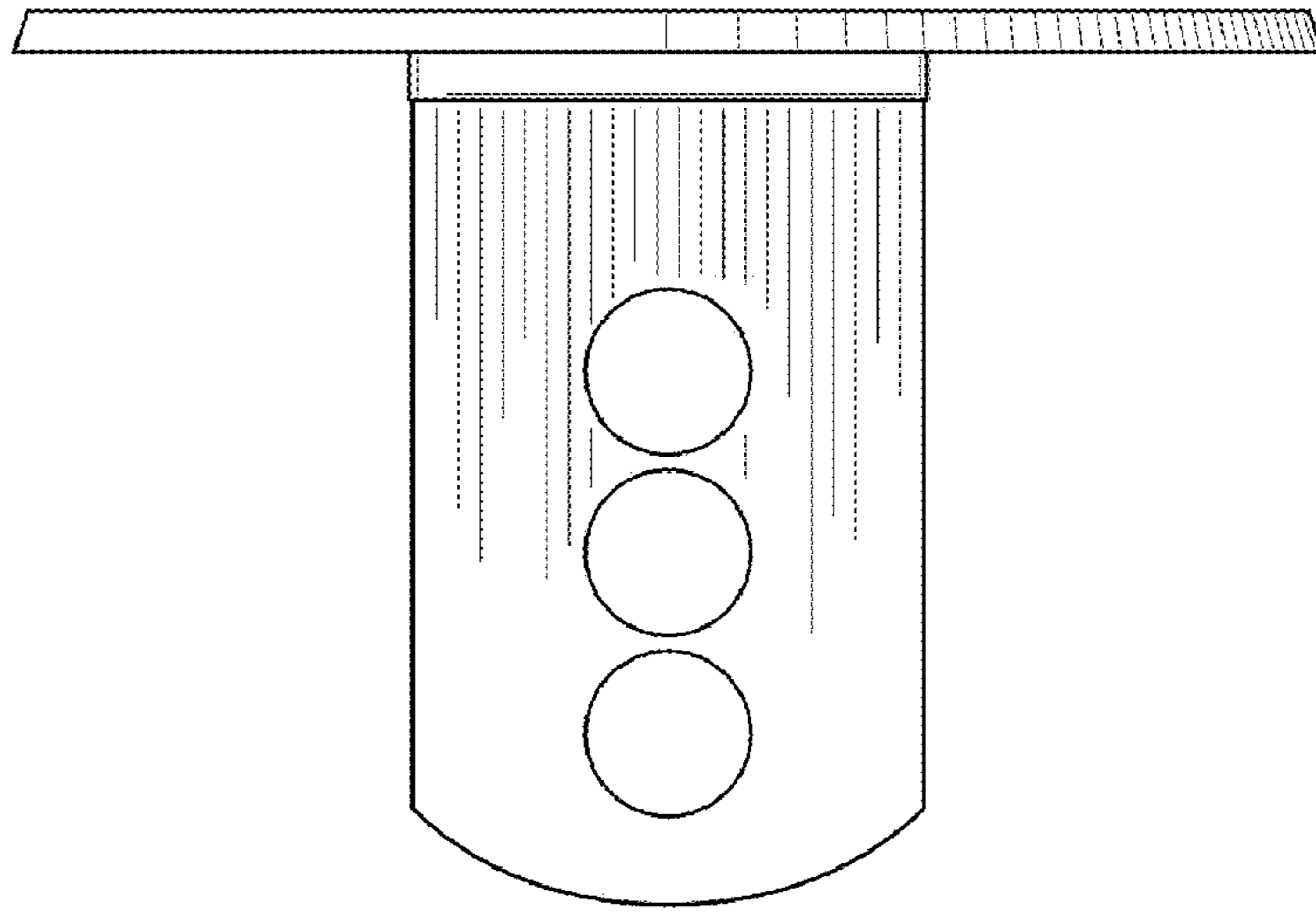


FIG. 3

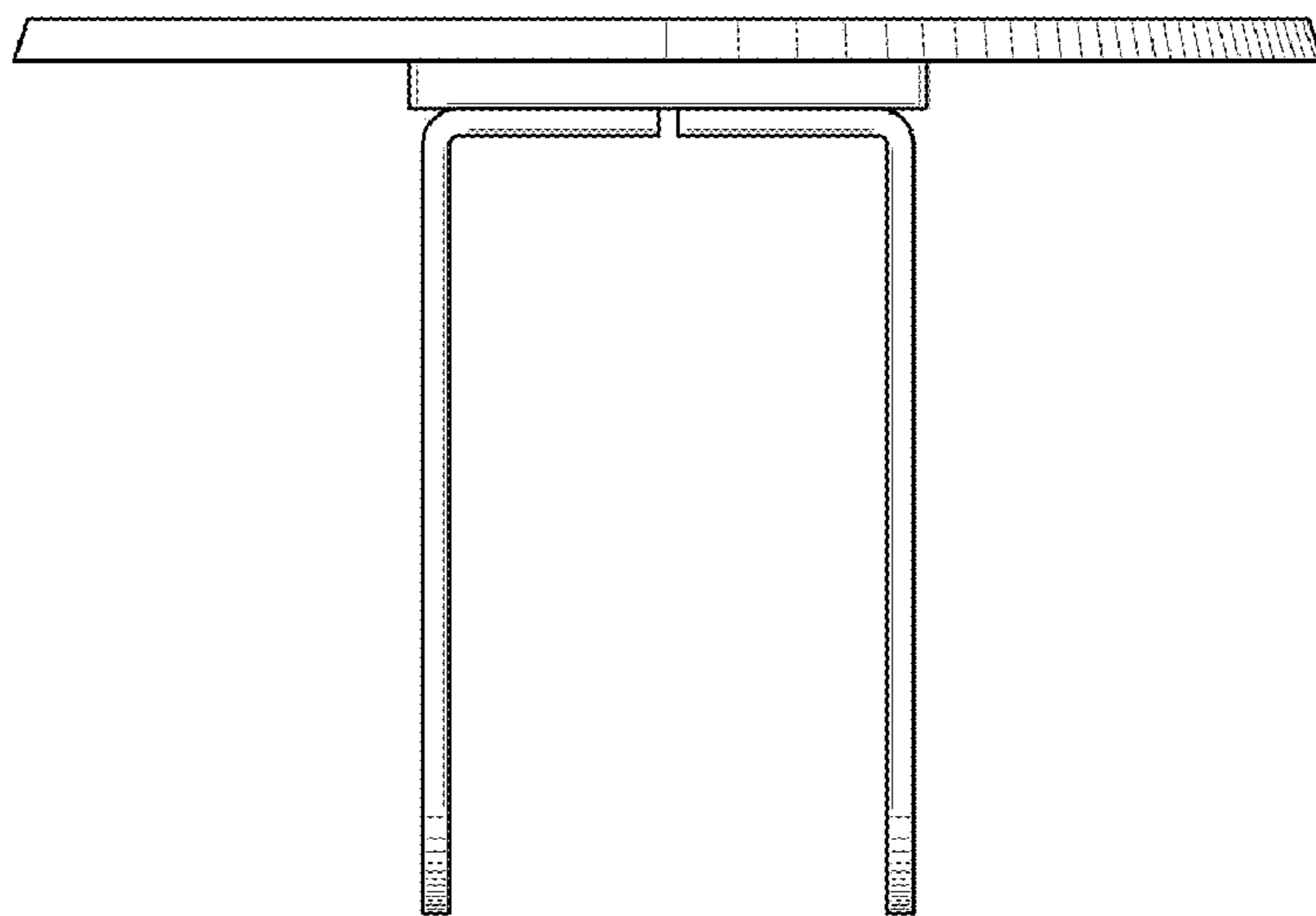


FIG. 4

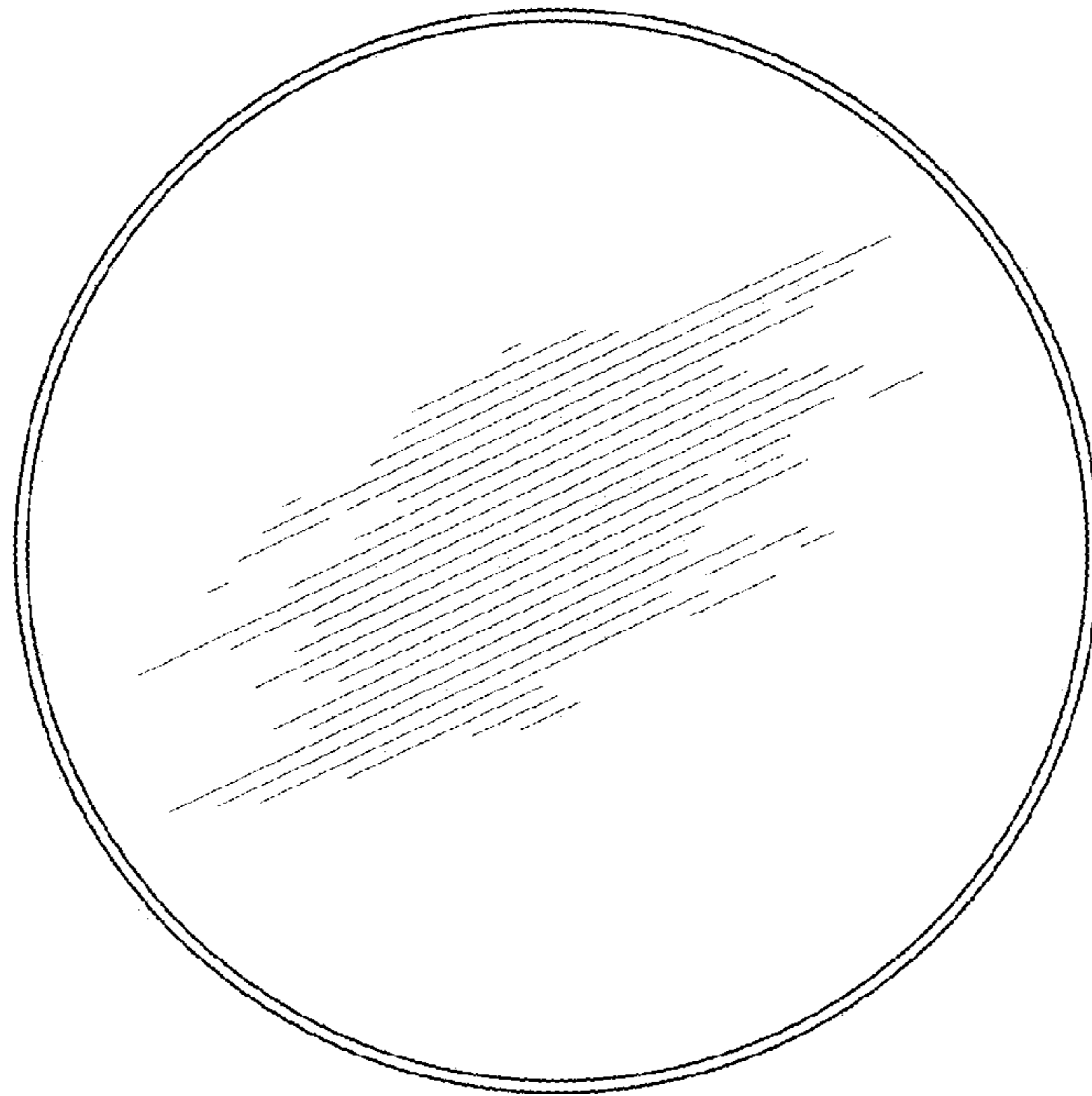


FIG. 5

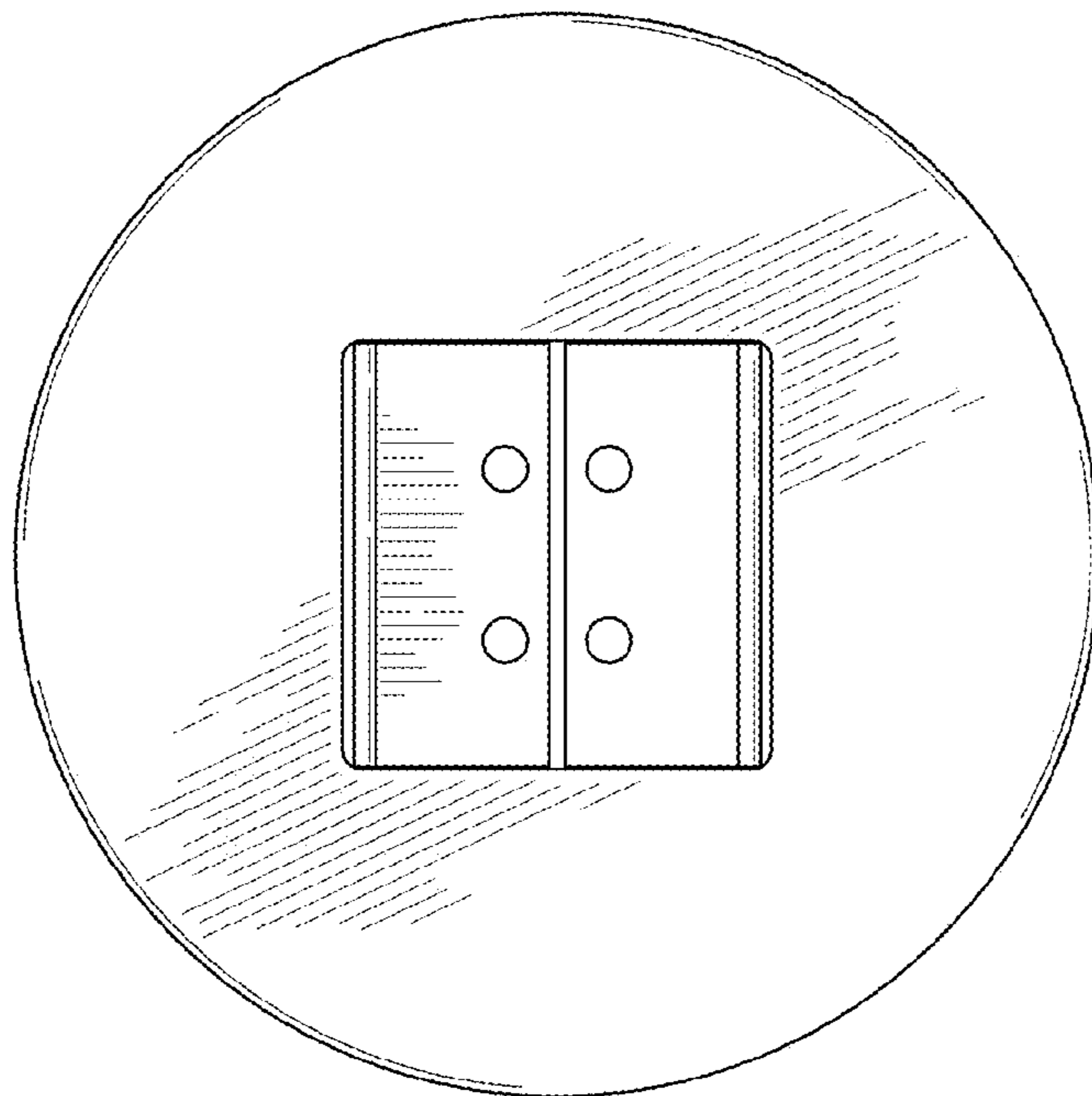


FIG. 6

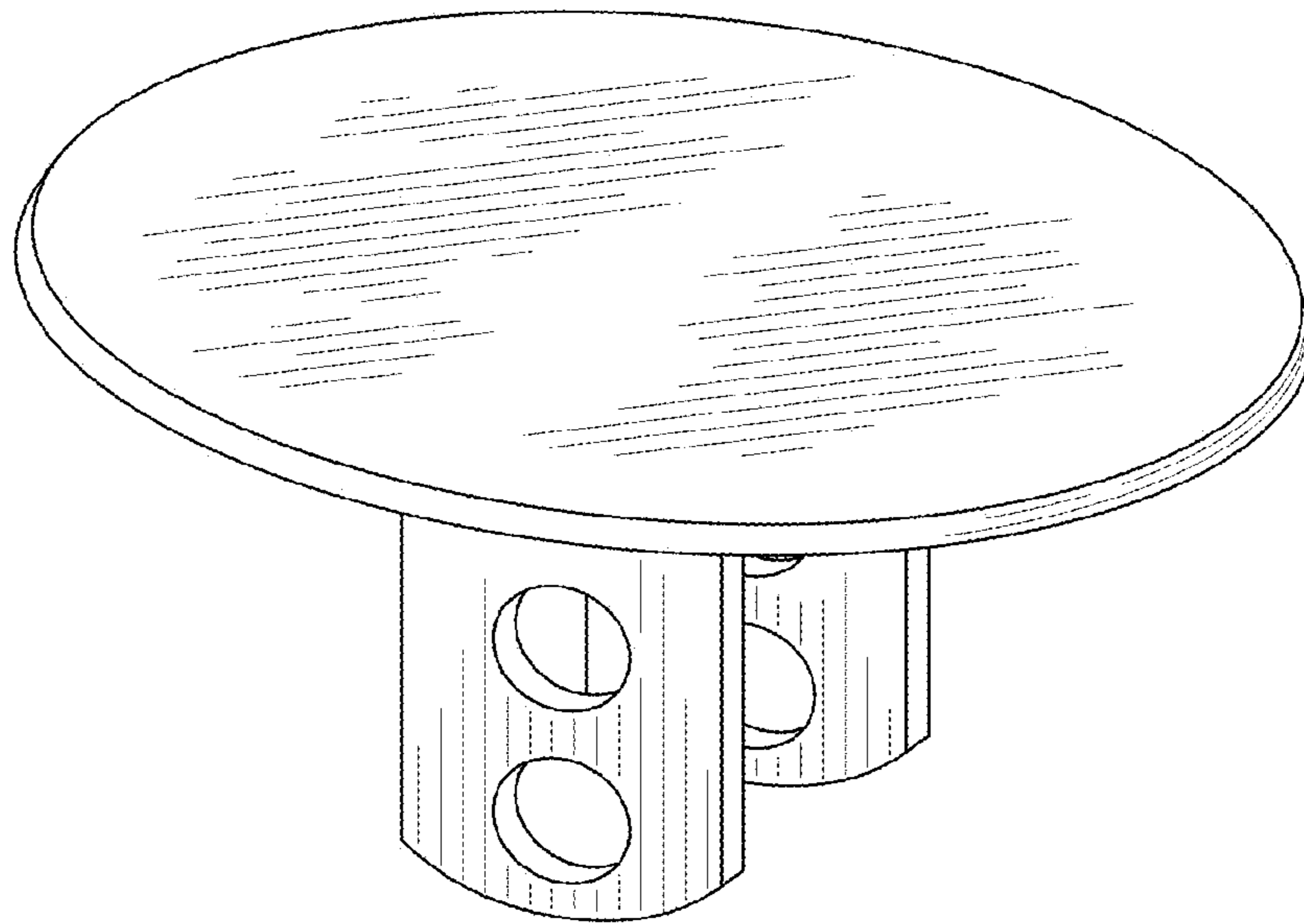


FIG. 7

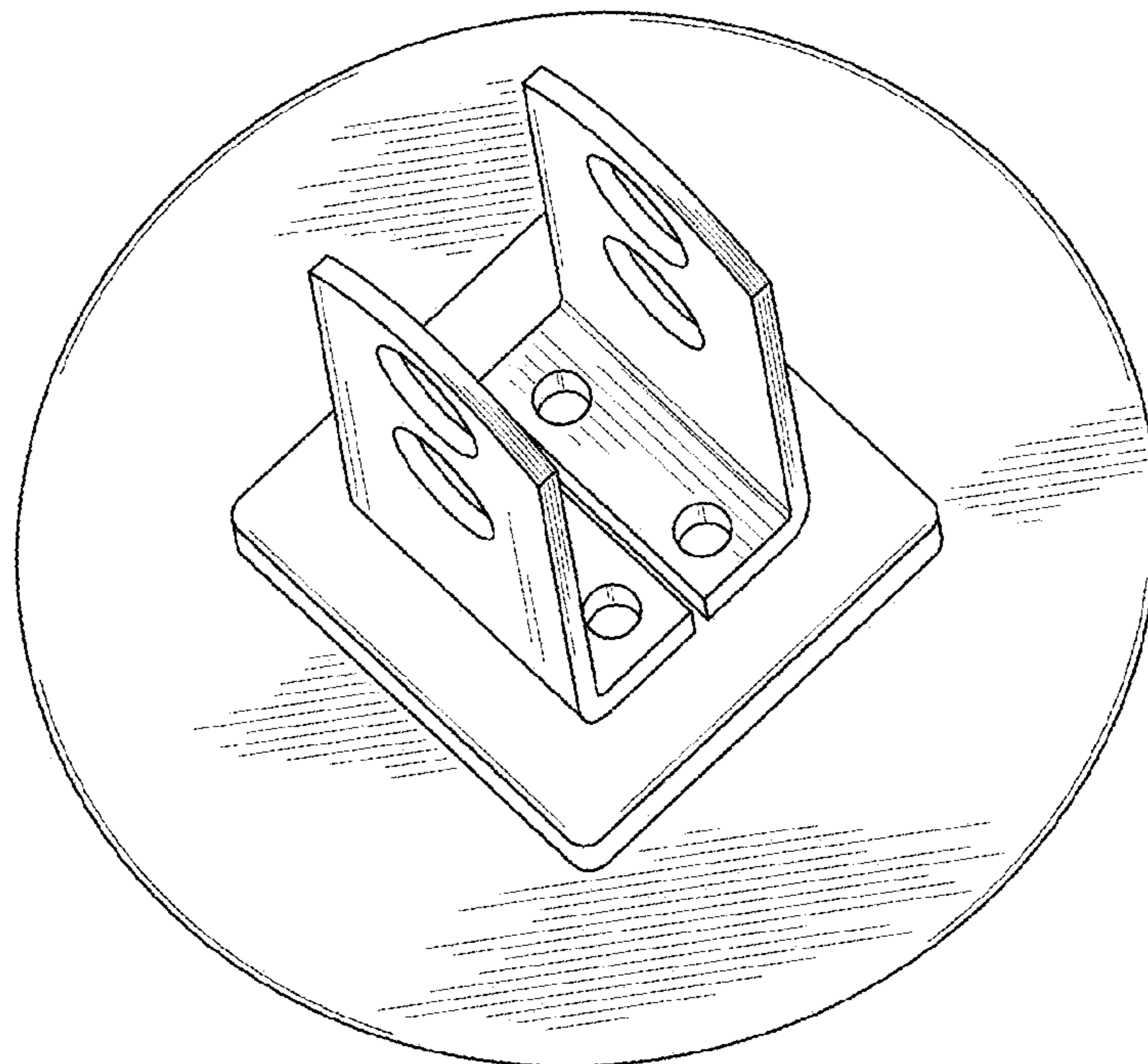


FIG. 8

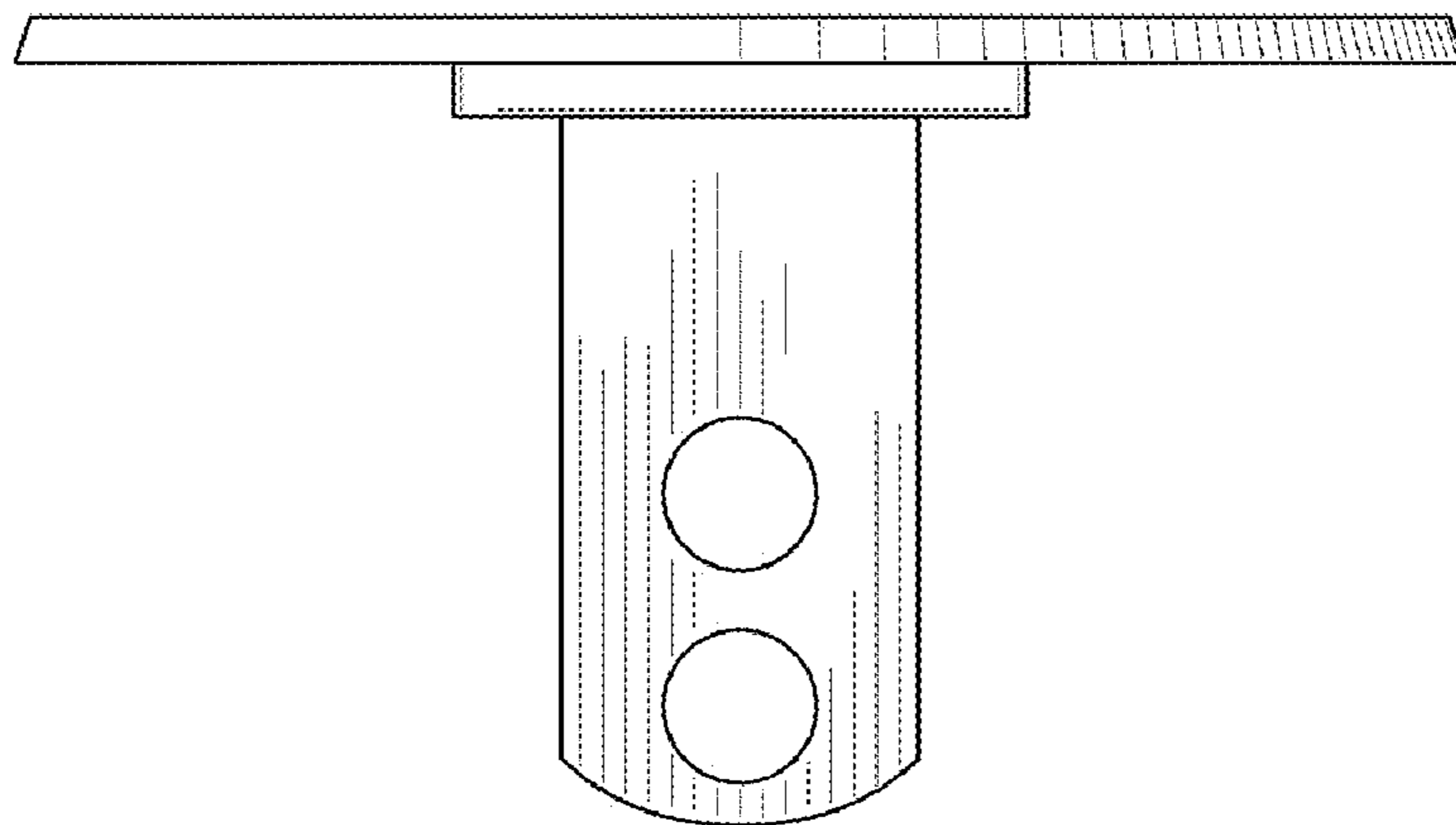


FIG. 9

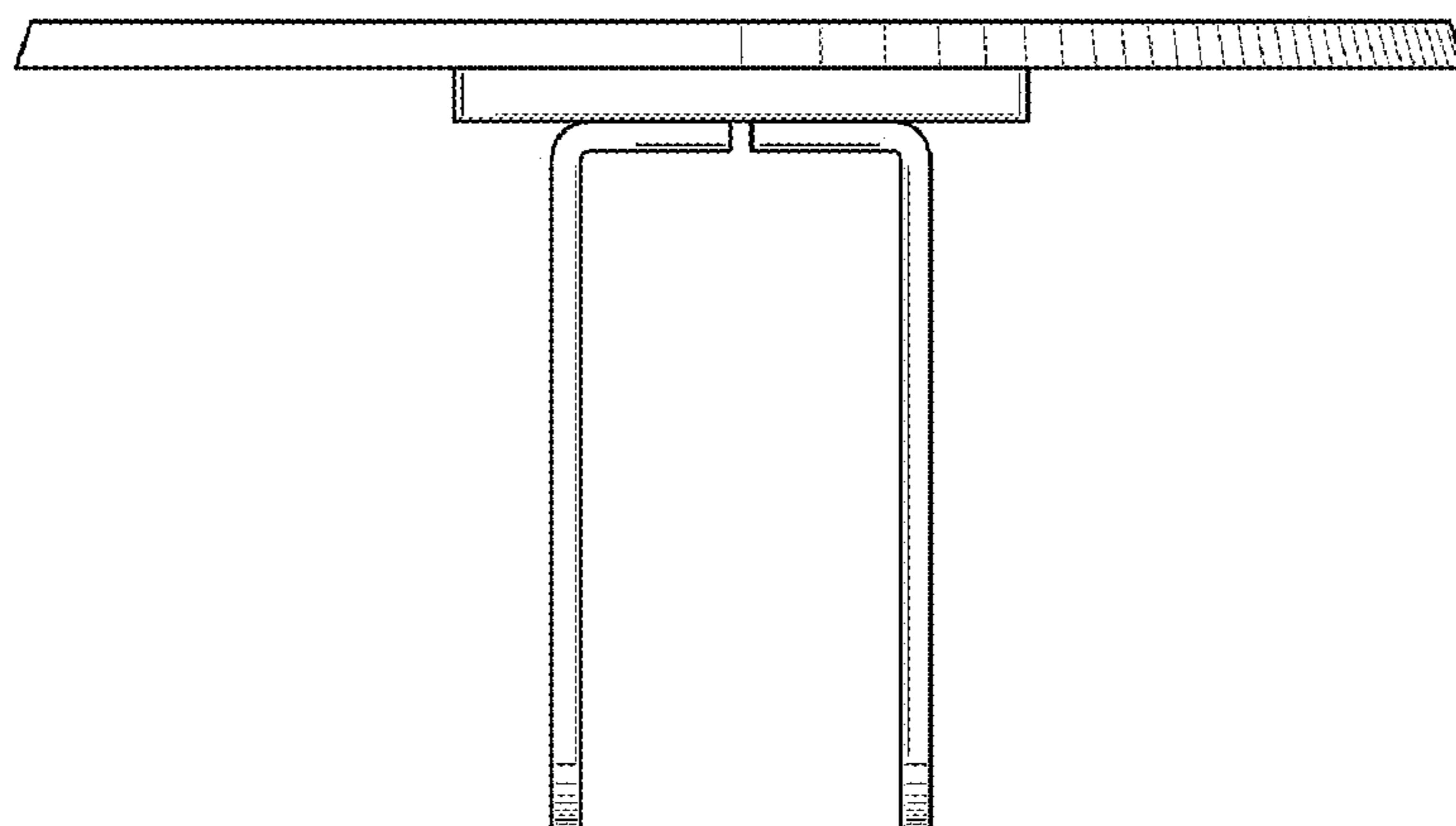


FIG. 10

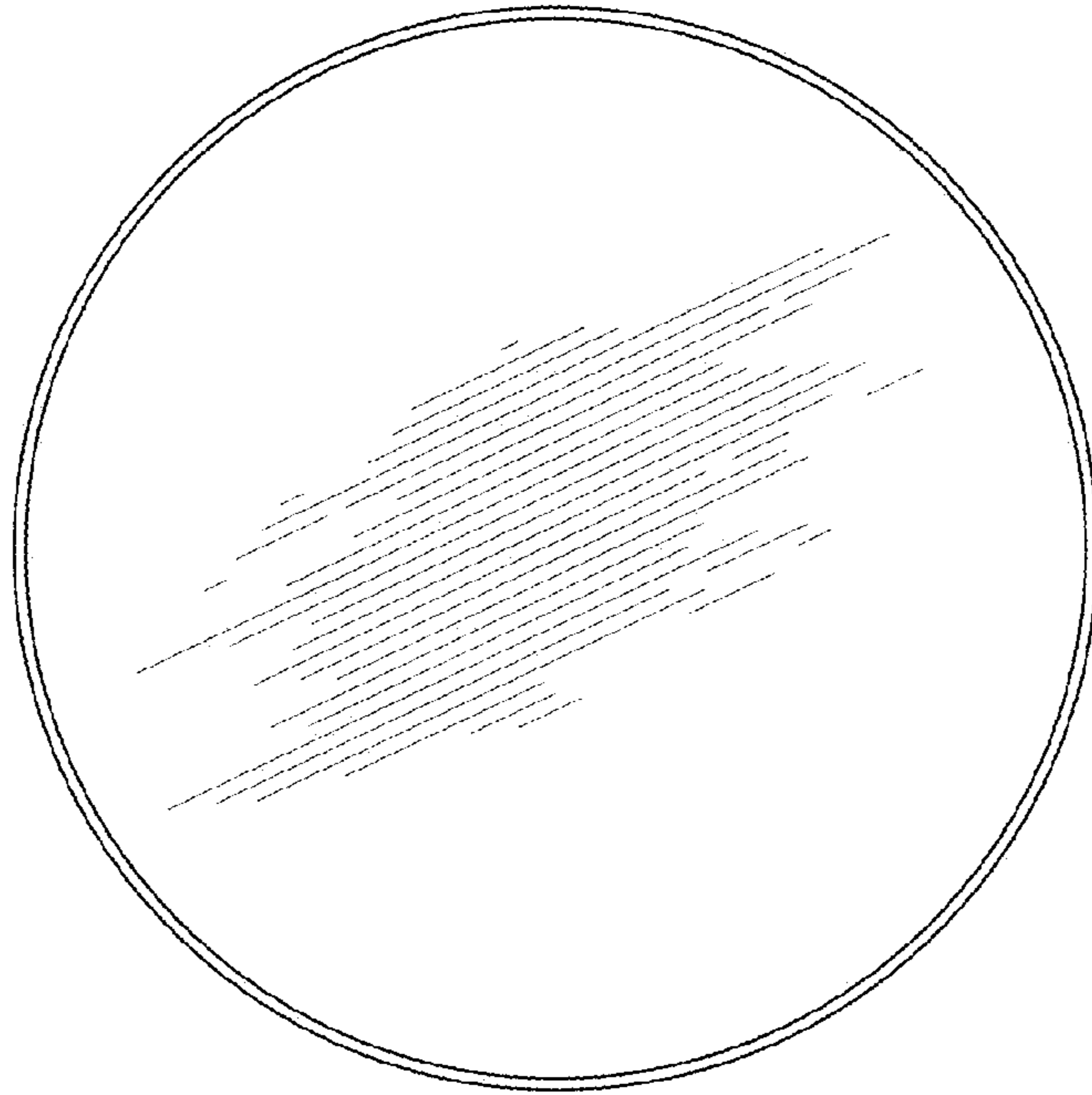


FIG. 11

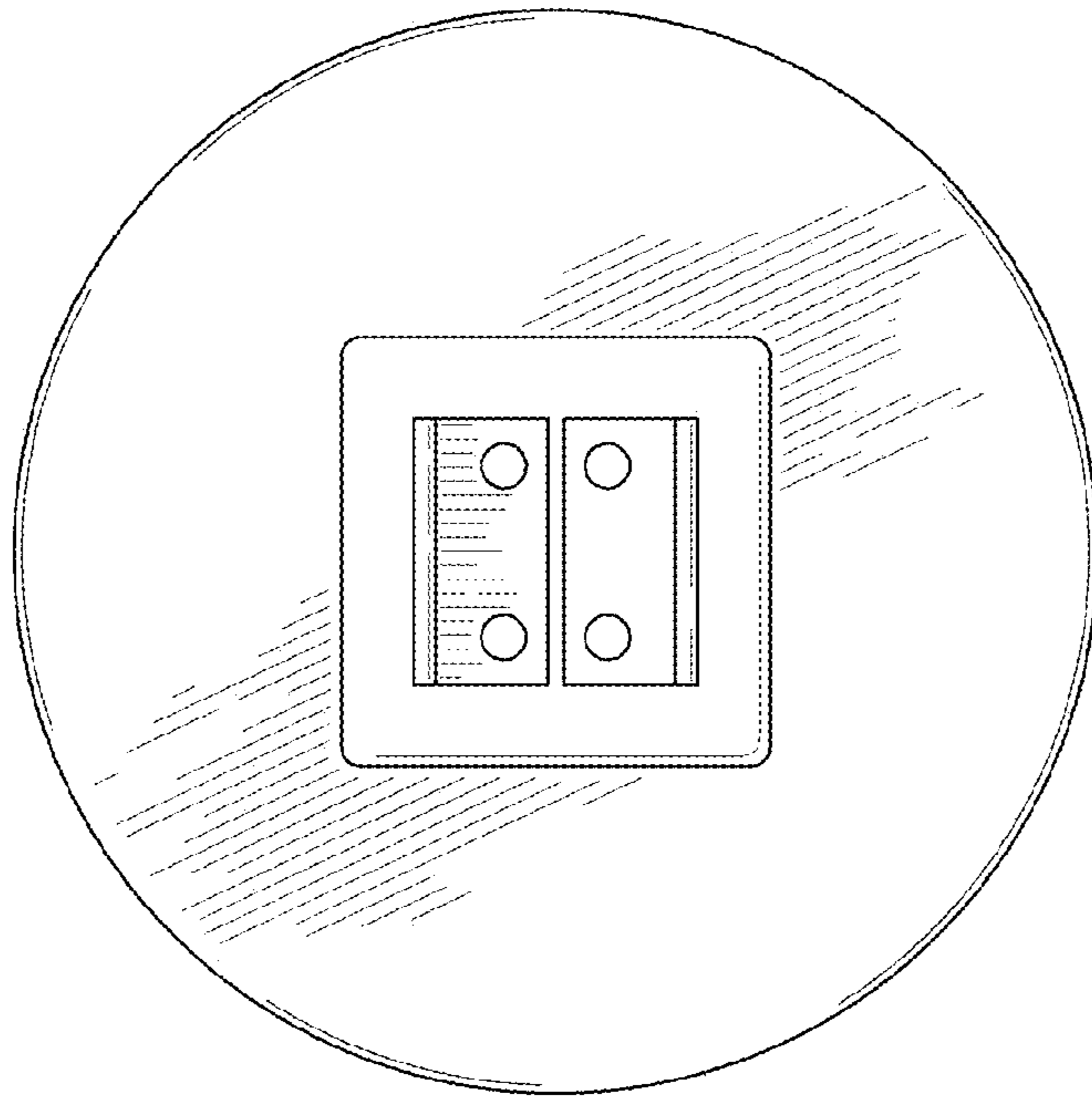


FIG. 12