



US00D676362S

(12) **United States Design Patent**
Adams et al.

(10) **Patent No.:** **US D676,362 S**
(45) **Date of Patent:** **** Feb. 19, 2013**

(54) **MOBILITY CHAIR**

(75) Inventors: **Zachary Adams**, Plymouth, MN (US);
Kent Nienaber, Ham Lake, MN (US)

(73) Assignee: **ZChair, LLC**, Ham Lake, MN (US)

(**) Term: **14 Years**

(21) Appl. No.: **29/420,432**

(22) Filed: **May 9, 2012**

(51) **LOC (9) Cl.** **12-12**

(52) **U.S. Cl.** **D12/131**

(58) **Field of Classification Search** D12/128-133;
280/62, 647-650, 29, 200, 47.38, 250.1,
280/259, 642, 658, 304.1; 128/99.1, 100.1;
D21/430; D6/333; D23/296

See application file for complete search history.

(56) **References Cited**

U.S. PATENT DOCUMENTS

6,626,487	B1	9/2003	Buitendach	
D550,971	S	9/2007	McConnell	
D553,865	S *	10/2007	Buitendach	D6/333
D570,970	S	6/2008	Buitendach	
D592,865	S *	5/2009	Yeung	D6/333

D600,027	S *	9/2009	Martin et al.	D6/333
D639,402	S *	6/2011	Rathbone	D23/296
D660,607	S *	5/2012	Dai	D6/333
2010/0138984	A1	6/2010	Buitendach	

* cited by examiner

Primary Examiner — Ian Simmons

Assistant Examiner — Charles Hanson

(74) *Attorney, Agent, or Firm* — Haugen Law Firm PLLP

(57) **CLAIM**

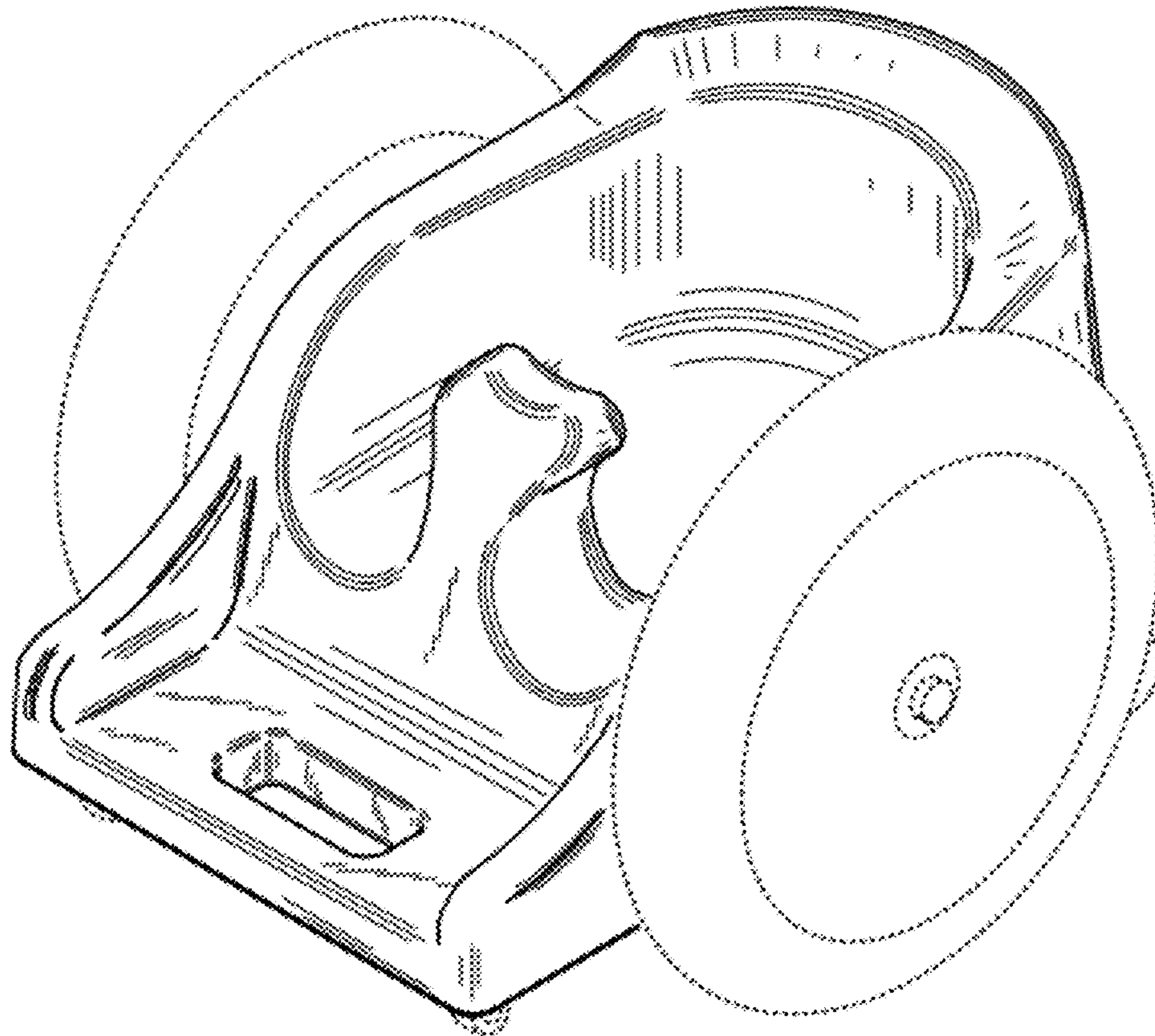
The ornamental design for a mobility chair, as shown and described.

DESCRIPTION

FIG. 1 is a front perspective view of the design;
FIG. 2 is a side elevational view of the design, with the opposite side being a mirror image of the illustrated side;
FIG. 3 is a front elevational view of the design;
FIG. 4 is a rear elevational view of the design;
FIG. 5 is a top plan view of the design; and,
FIG. 6 is a bottom plan view of the design.

The broken line showing of environmental structure is for illustrative purposes only, and forms no part of the claimed design.

1 Claim, 6 Drawing Sheets



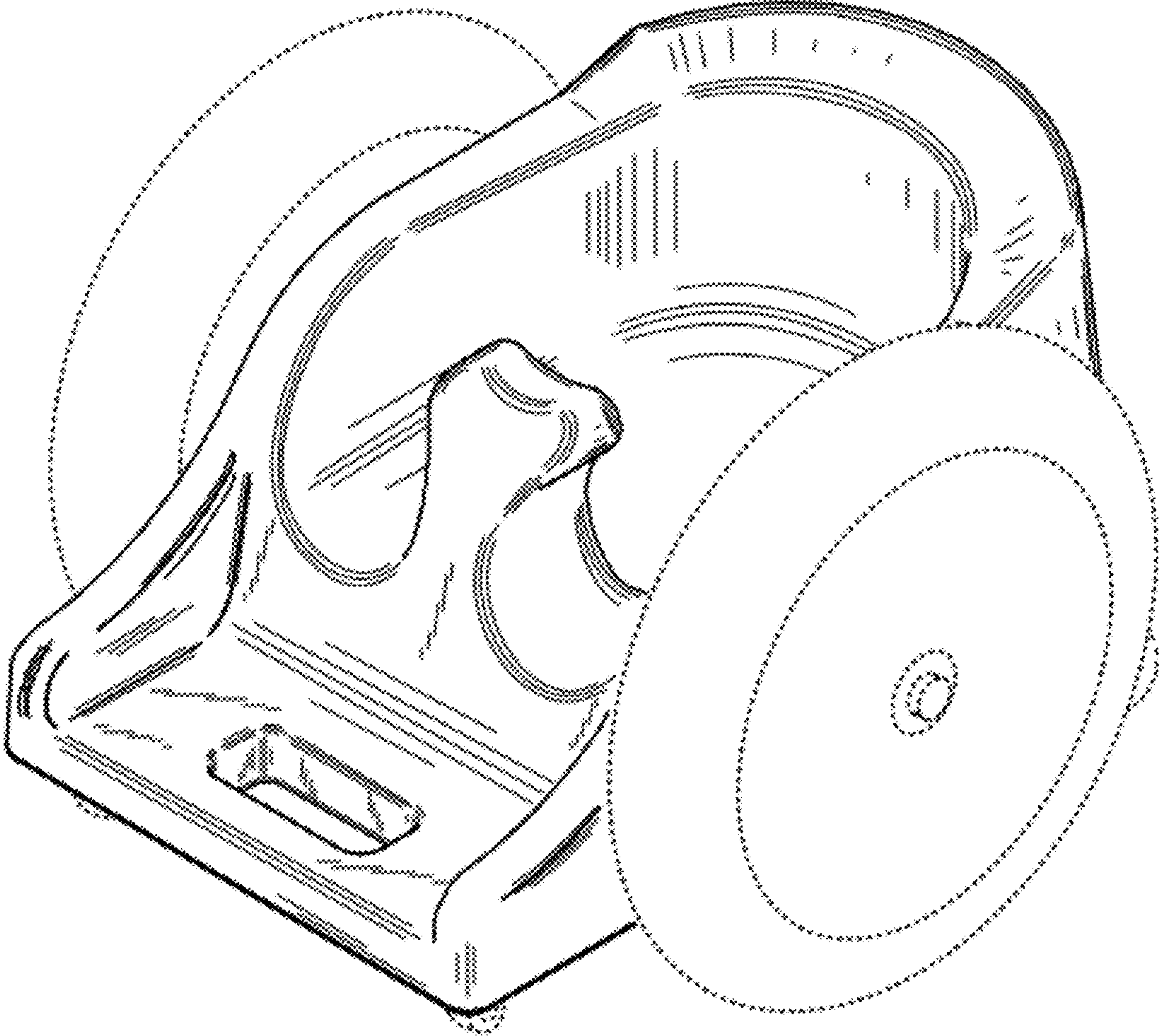
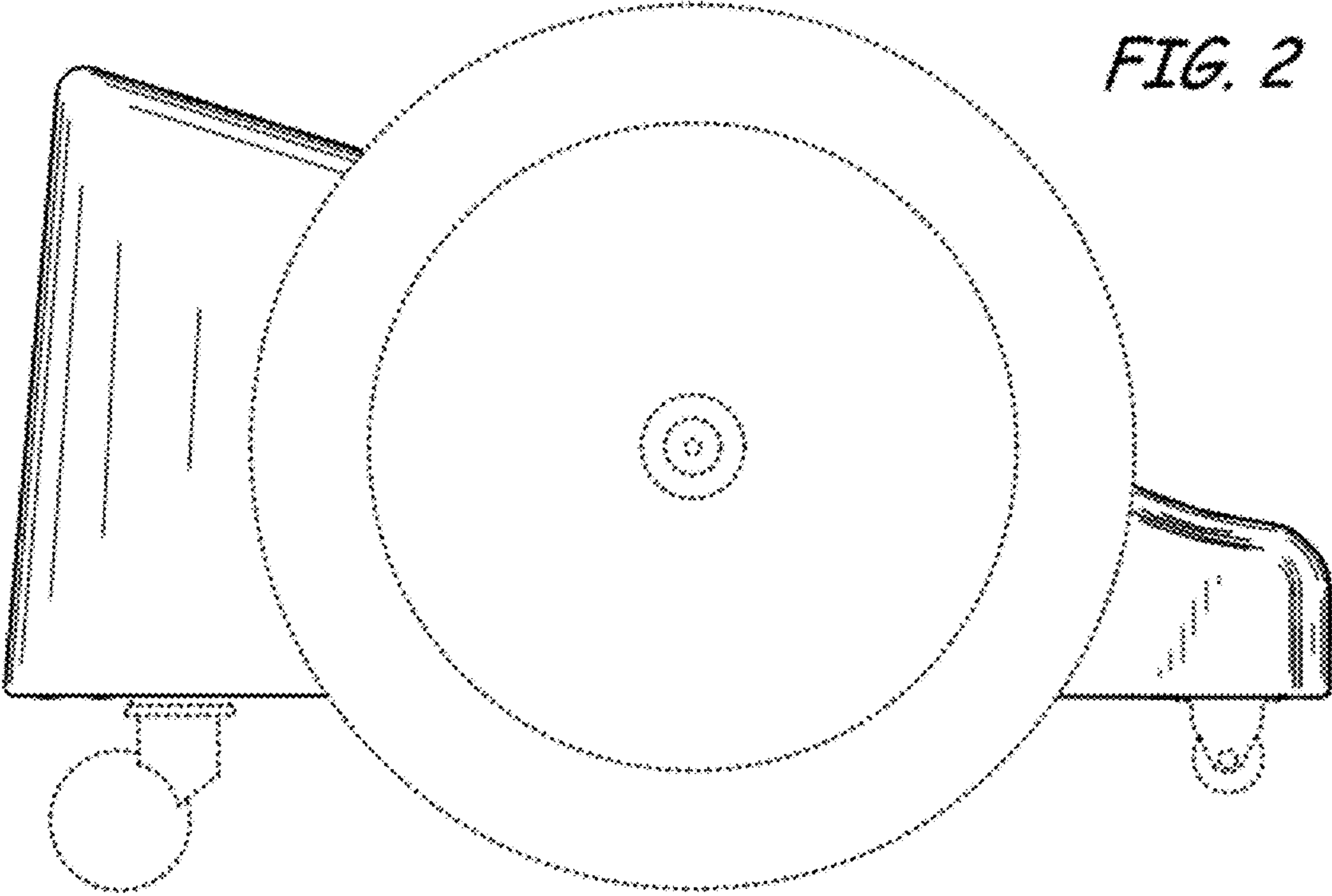


FIG. 1



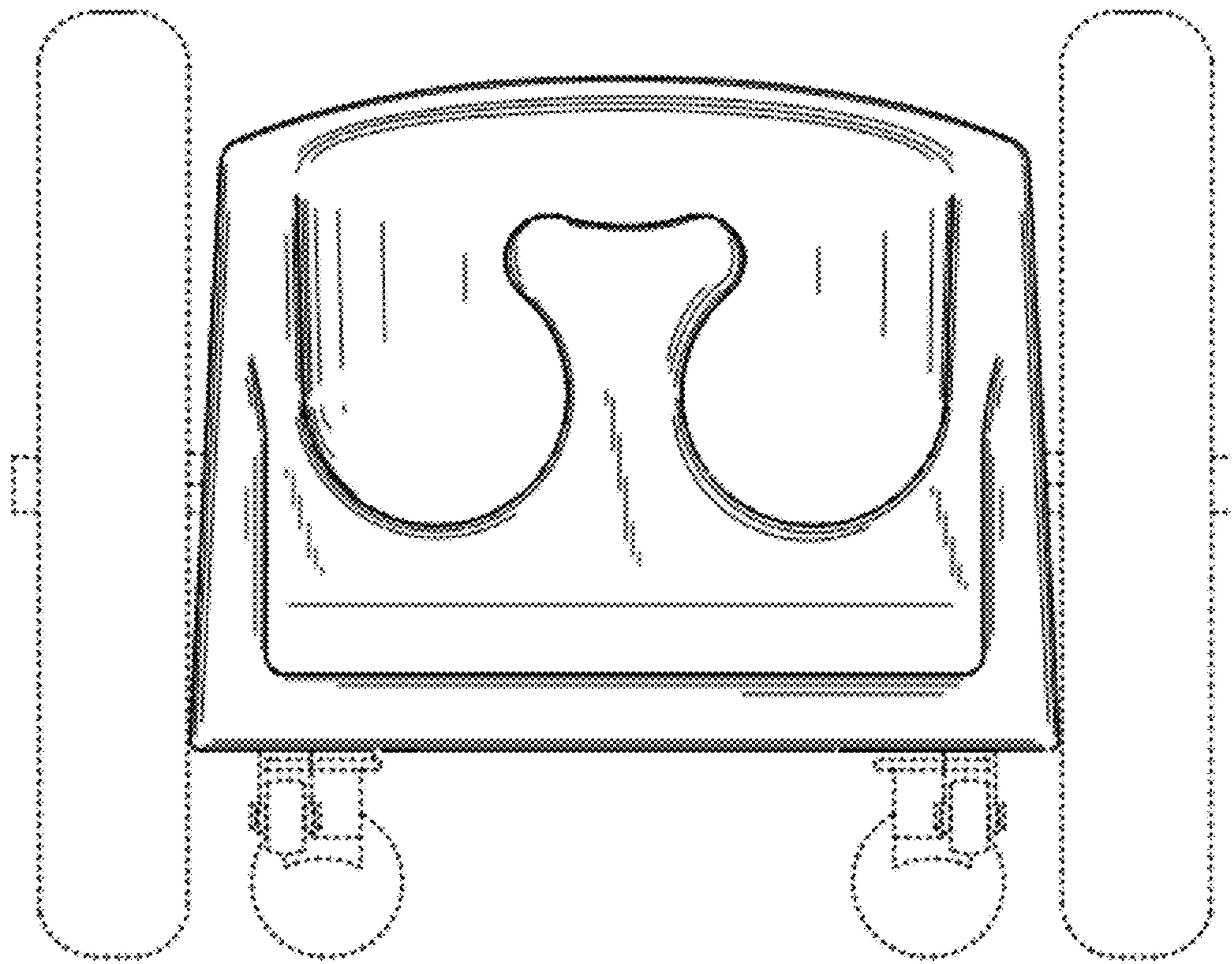


FIG. 3

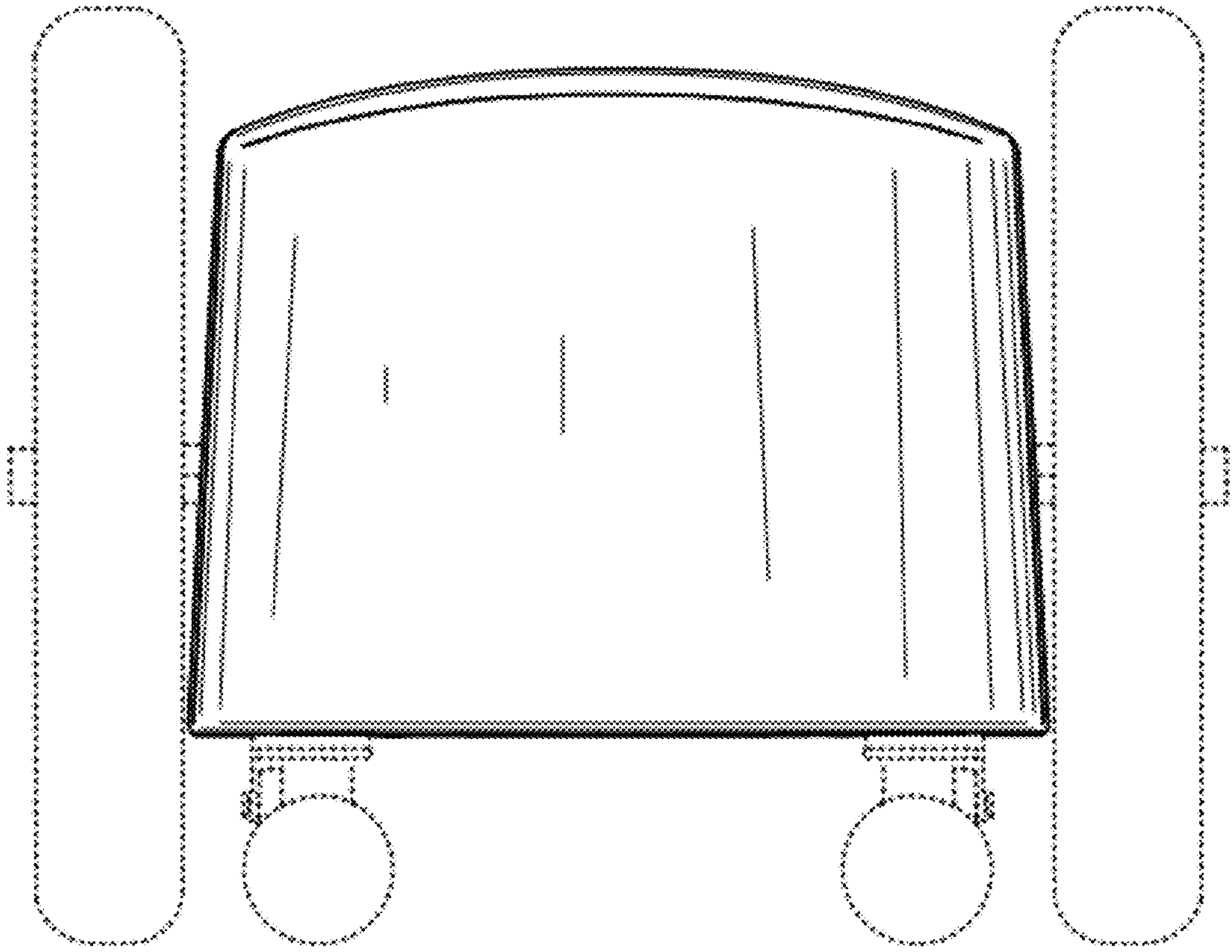


FIG. 4

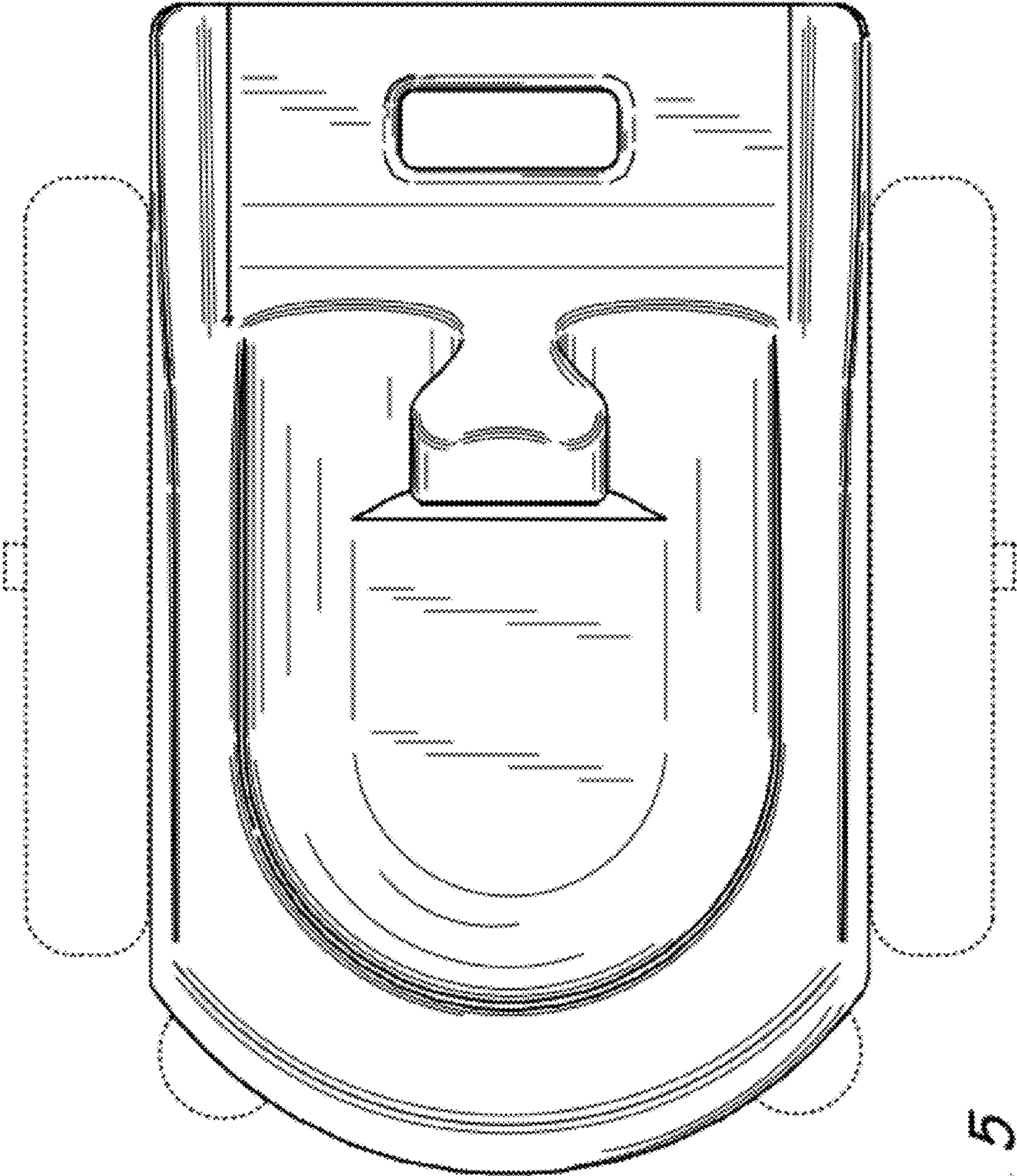


FIG. 5

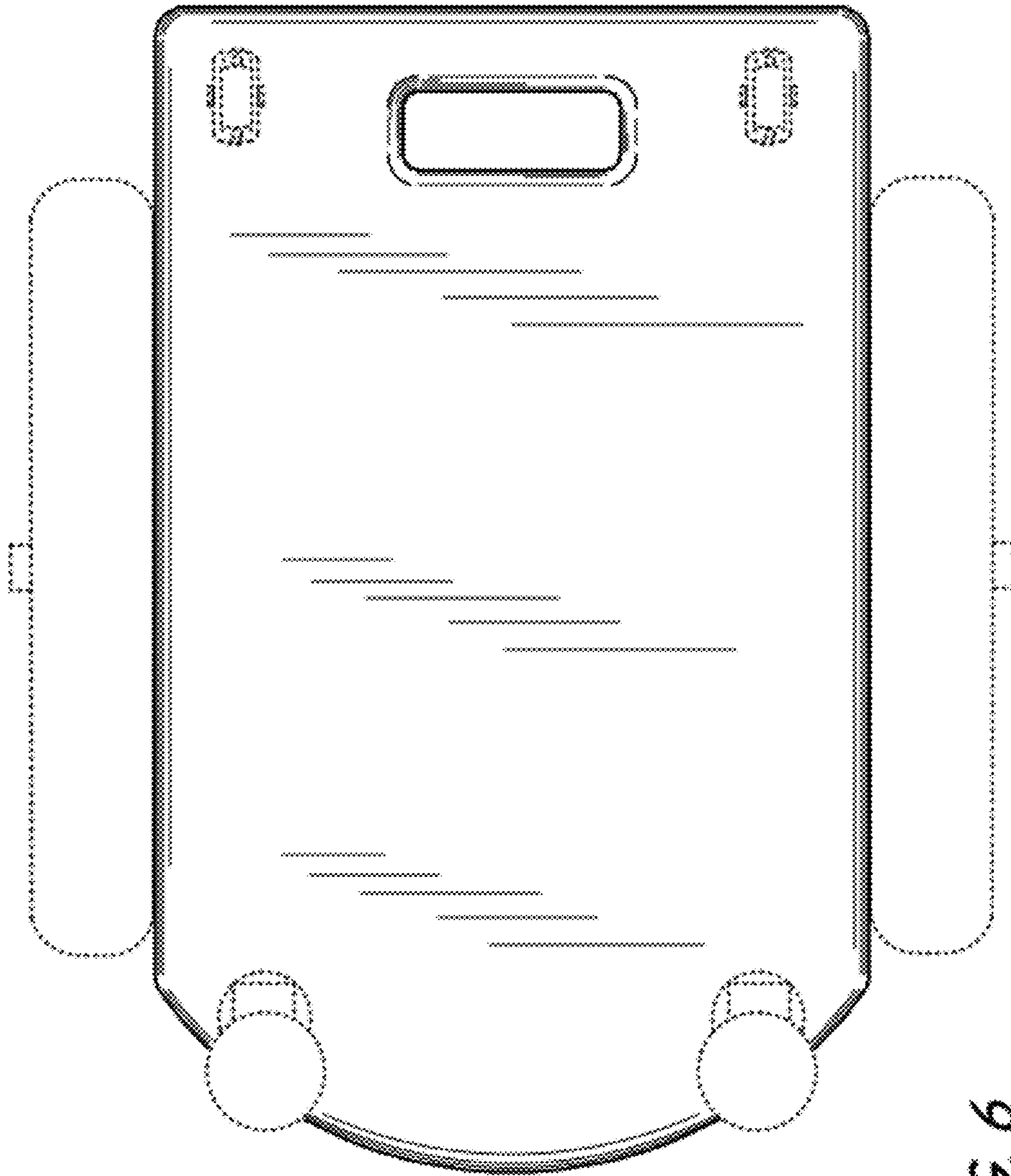


FIG. 6