



US00D676361S

(12) **United States Design Patent**
Louden et al.

(10) **Patent No.:** **US D676,361 S**
(45) **Date of Patent:** **** Feb. 19, 2013**

(54) **AIR CLEANER**

(75) Inventors: **Jason J. Louden**, St. Croix Falls, WI (US); **Robert B. Andolsek**, Viroqua, WI (US); **Nathan L. Oium**, La Farge, WI (US)

(73) Assignee: **S & S Cycle, Inc.**, Viola, WI (US)

(**) Term: **14 Years**

(21) Appl. No.: **29/415,335**

(22) Filed: **Mar. 9, 2012**

(51) **LOC (9) Cl.** **12-11**

(52) **U.S. Cl.** **D12/126**

(58) **Field of Classification Search** D12/126,
D12/110, 114; D15/3, 5; 180/219, 220;
280/288.4, 304.3; 123/195 C, 198 E, 41.7,
123/184.31; 55/385.3, DIG. 19; D23/364
See application file for complete search history.

(56) **References Cited**

U.S. PATENT DOCUMENTS

2,906,370	A *	9/1959	McMullen et al.	55/DIG. 21
D384,141	S *	9/1997	Goodson	D23/364
D541,303	S *	4/2007	Drew et al.	D15/5
D626,894	S *	11/2010	Holcomb	D12/126

OTHER PUBLICATIONS

2009 J & P Cycles Parts & Accessories for your Harley-Davidson® Motorcycle, S & S Air Cleaner and Air Cleaner Covers on p. 435.*

* cited by examiner

Primary Examiner — Susan M Lee

Assistant Examiner — Linda G. Brooks

(74) *Attorney, Agent, or Firm* — Price Heneveld LLP

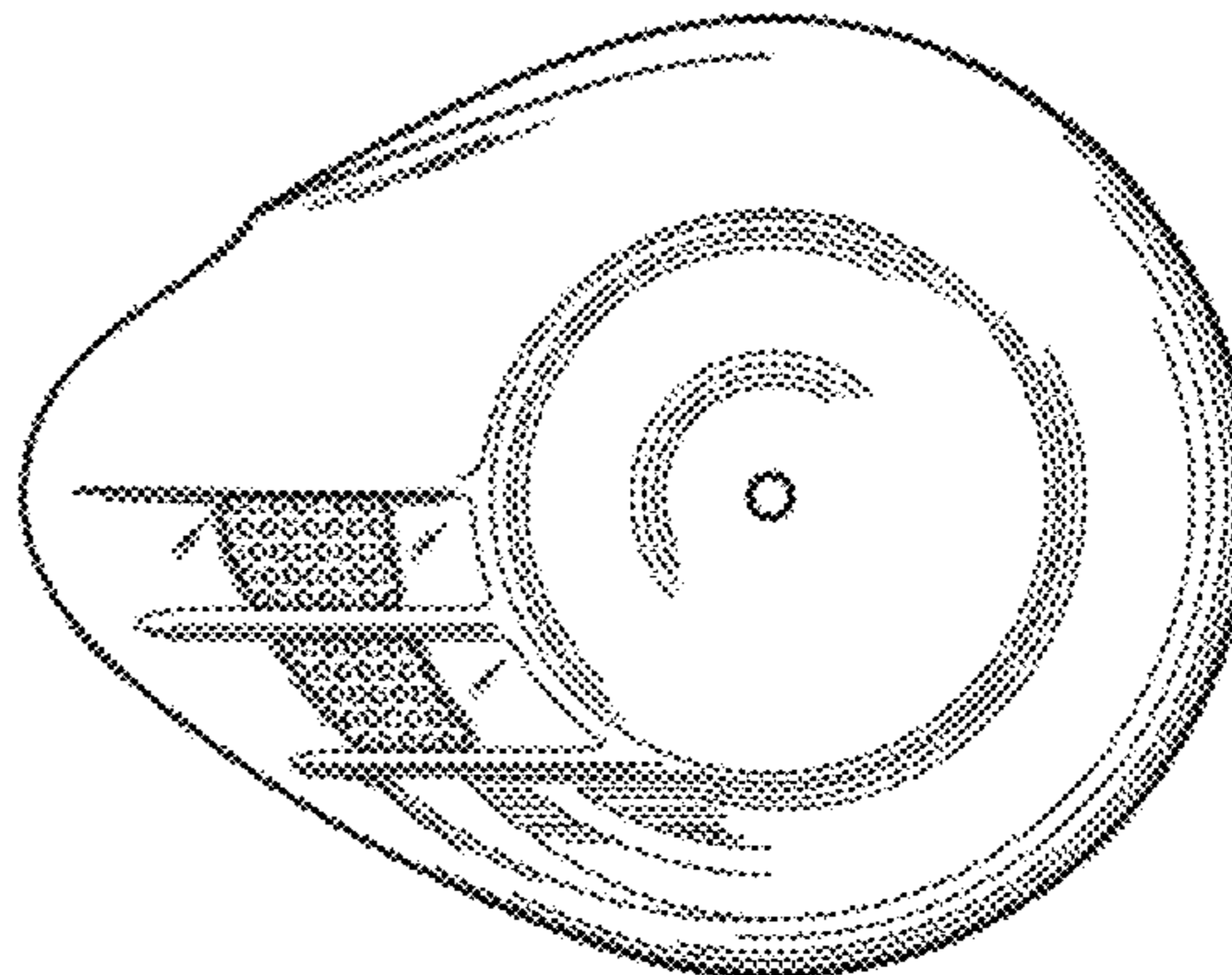
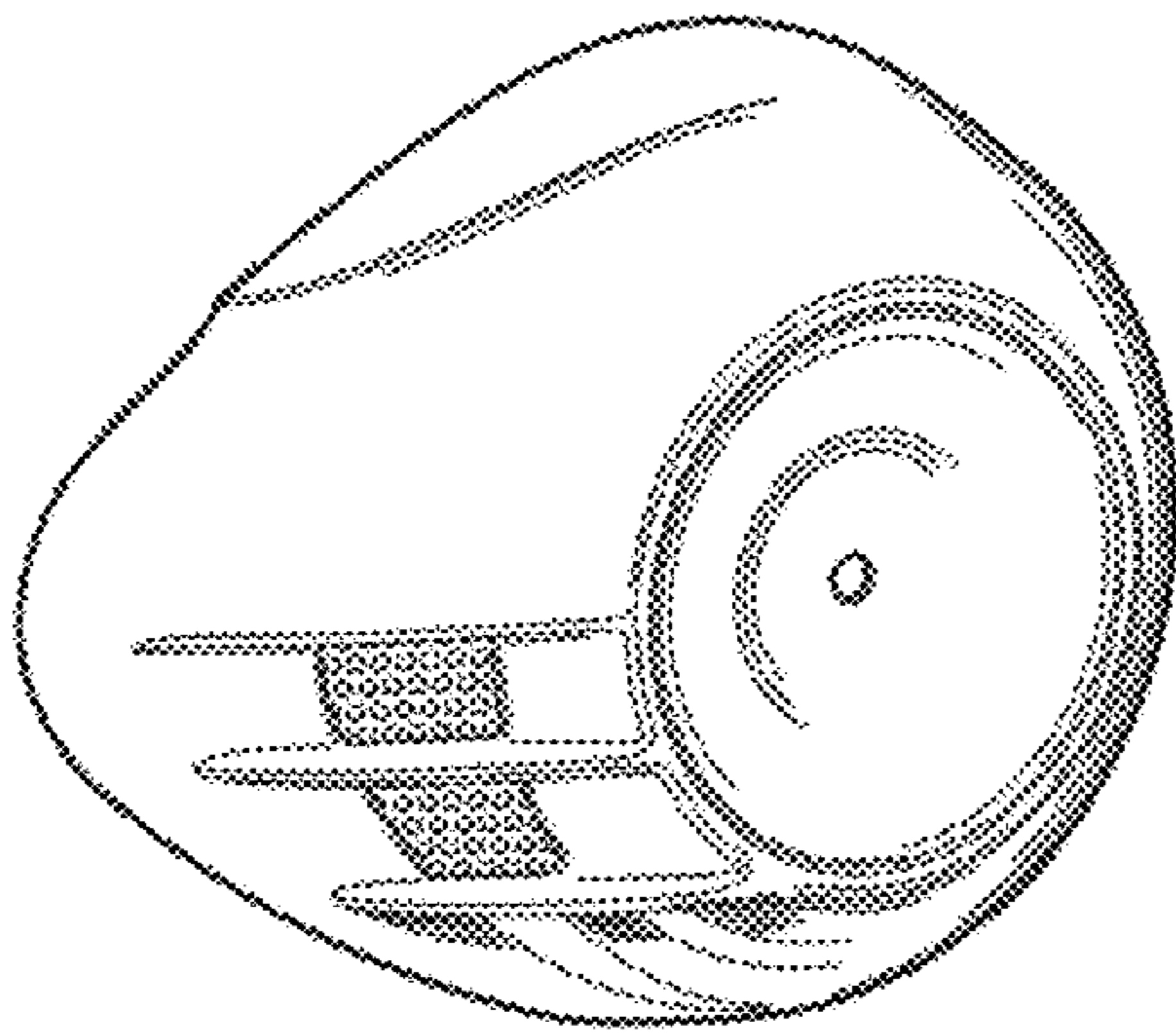
(57) **CLAIM**

We claim the ornamental design for an air cleaner, as shown and described.

DESCRIPTION

FIG. 1 is a perspective view of the present air cleaner. FIGS. 2-7 are front, left side, right side, rear, top and bottom views of FIG. 1; and, FIG. 8 is a side view of the cover in FIG. 1 and includes broken lines showing the environment of a motorcycle. The dashed lines and broken lines are for purposes of illustrating environmental structure and form no part of the claimed design.

1 Claim, 3 Drawing Sheets



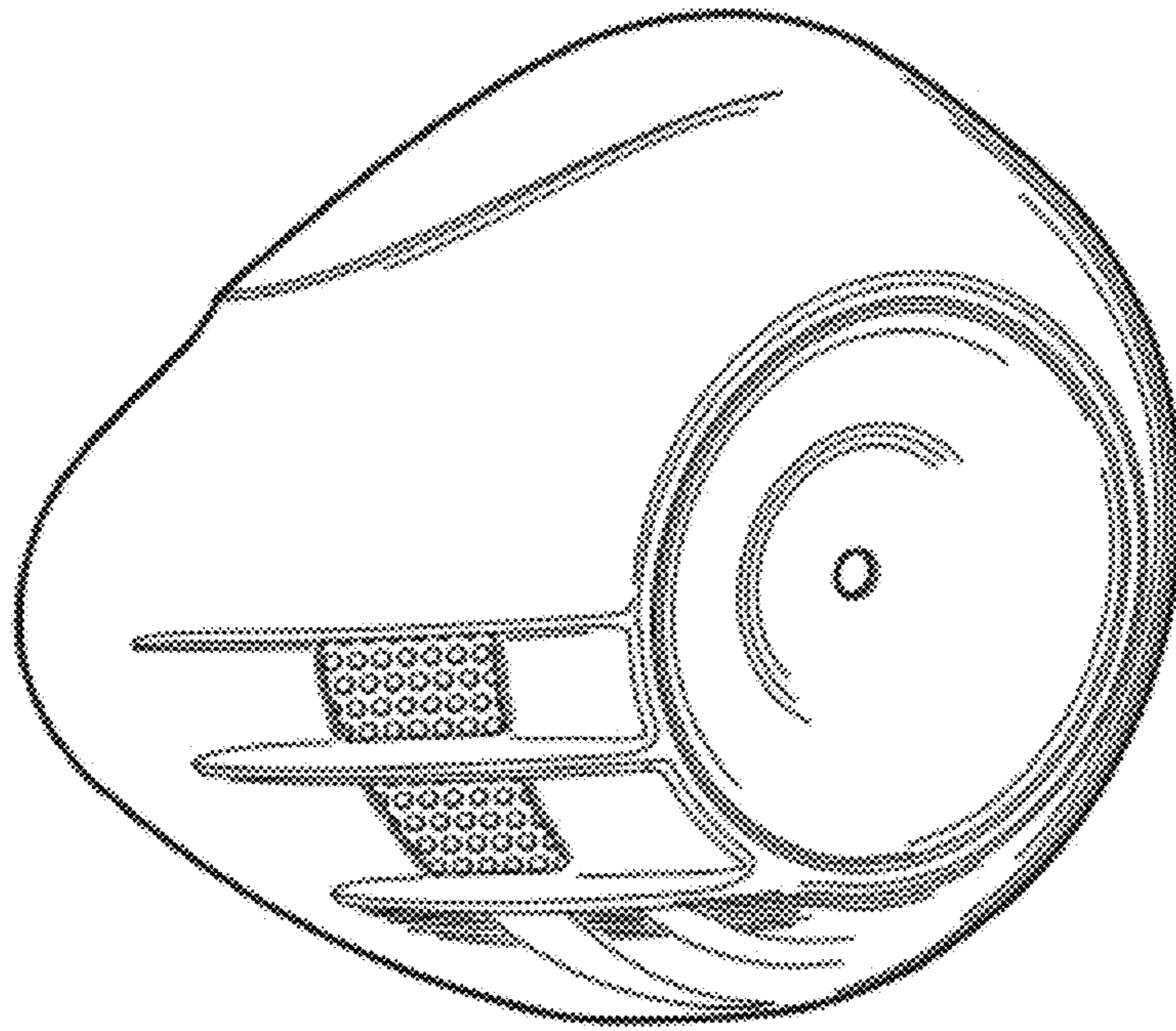


Fig. 1

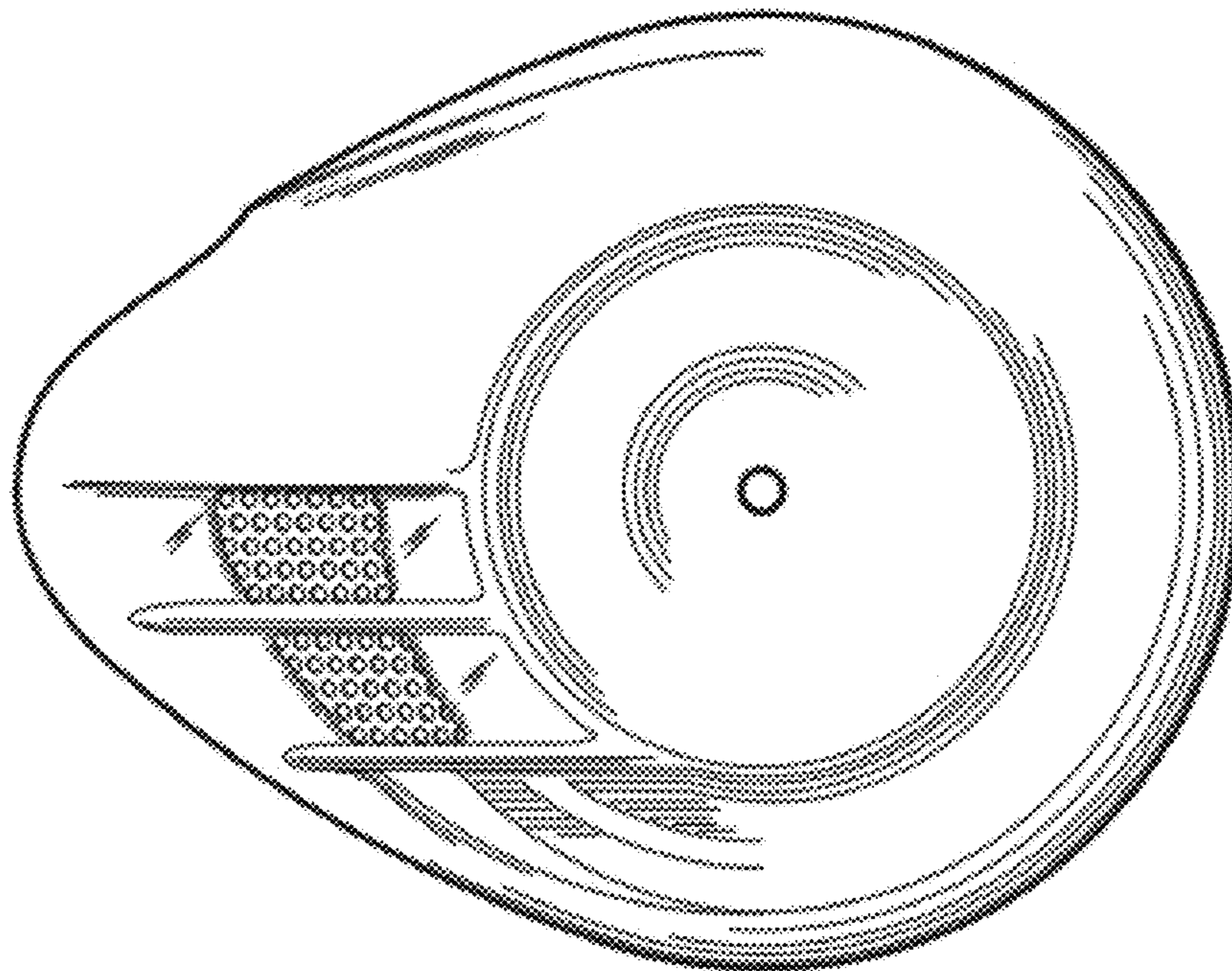


Fig. 2

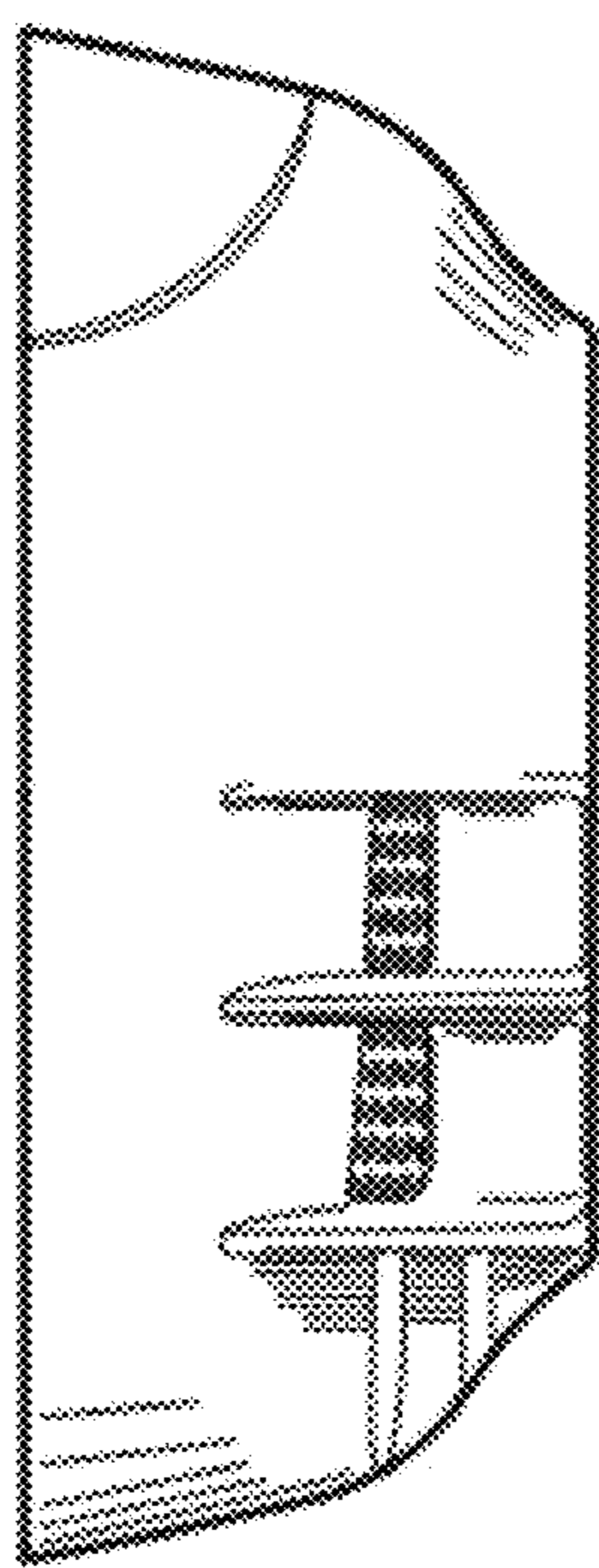


Fig. 3

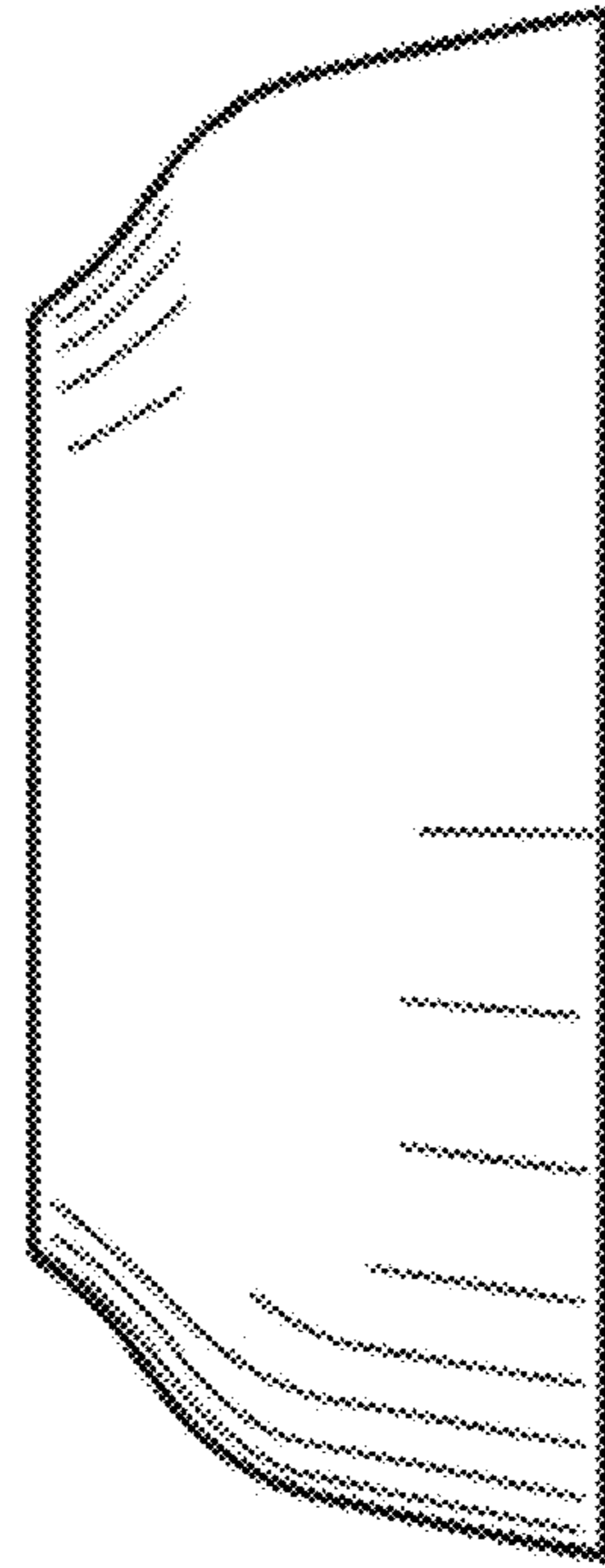


Fig. 4

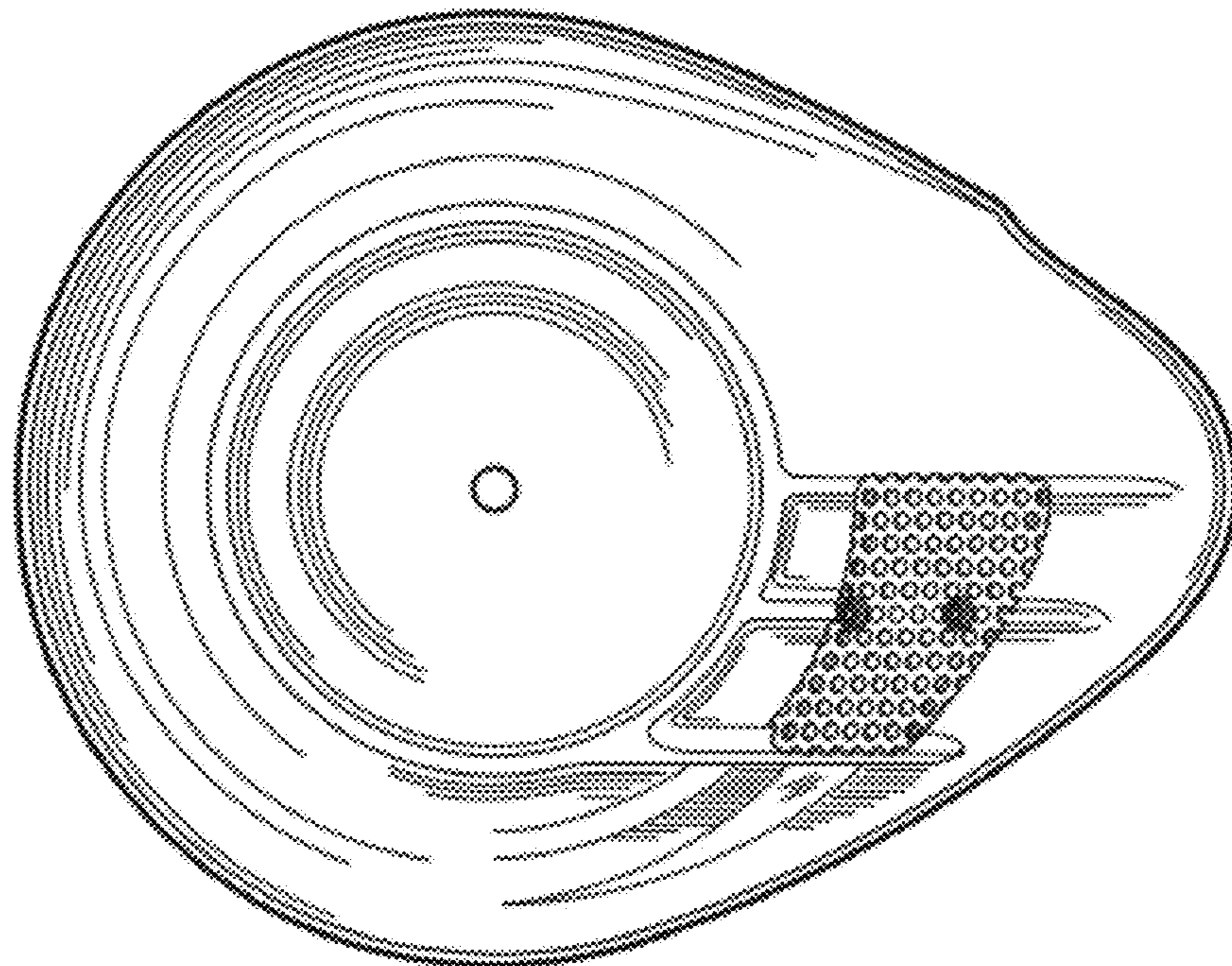


Fig. 5

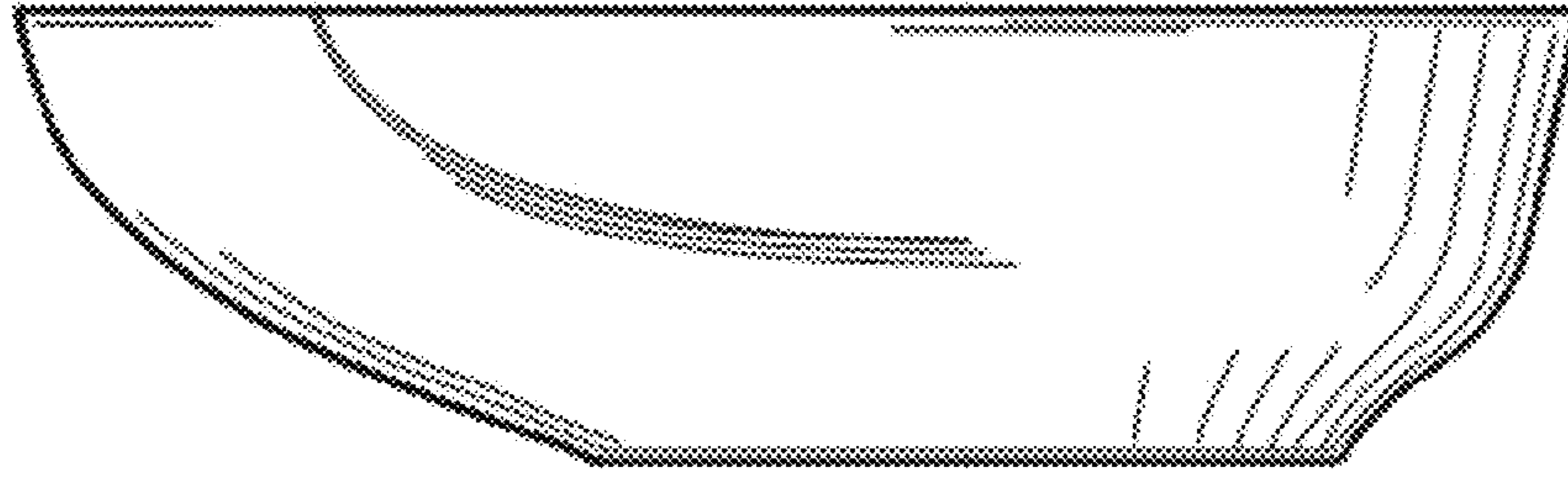


Fig. 6

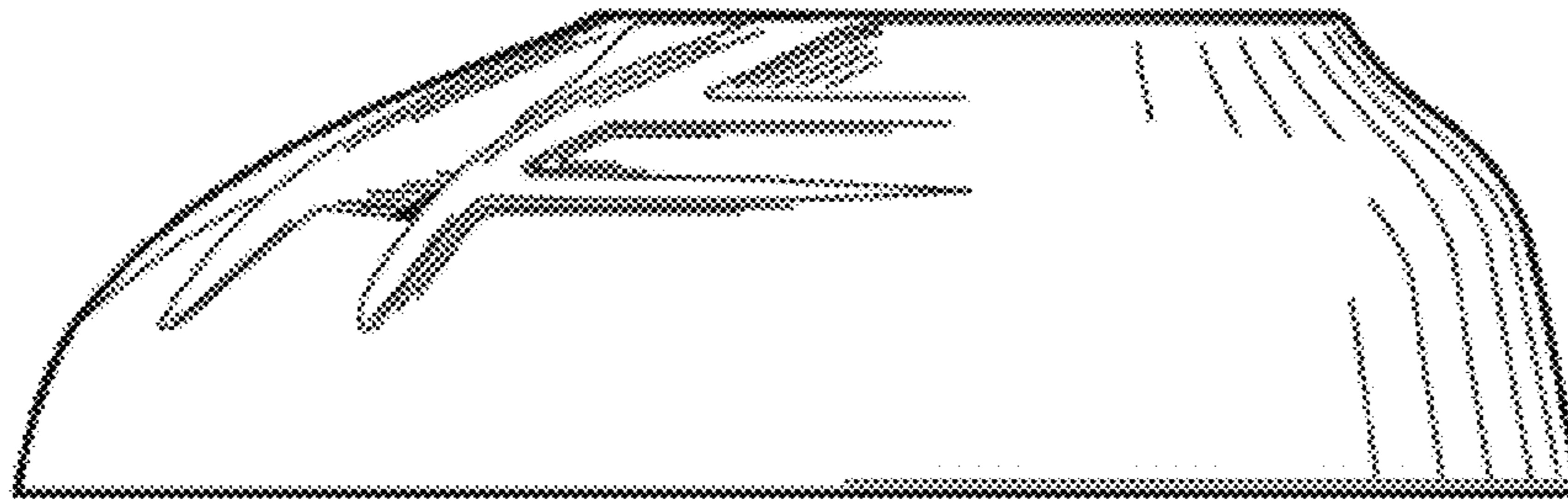


Fig. 7

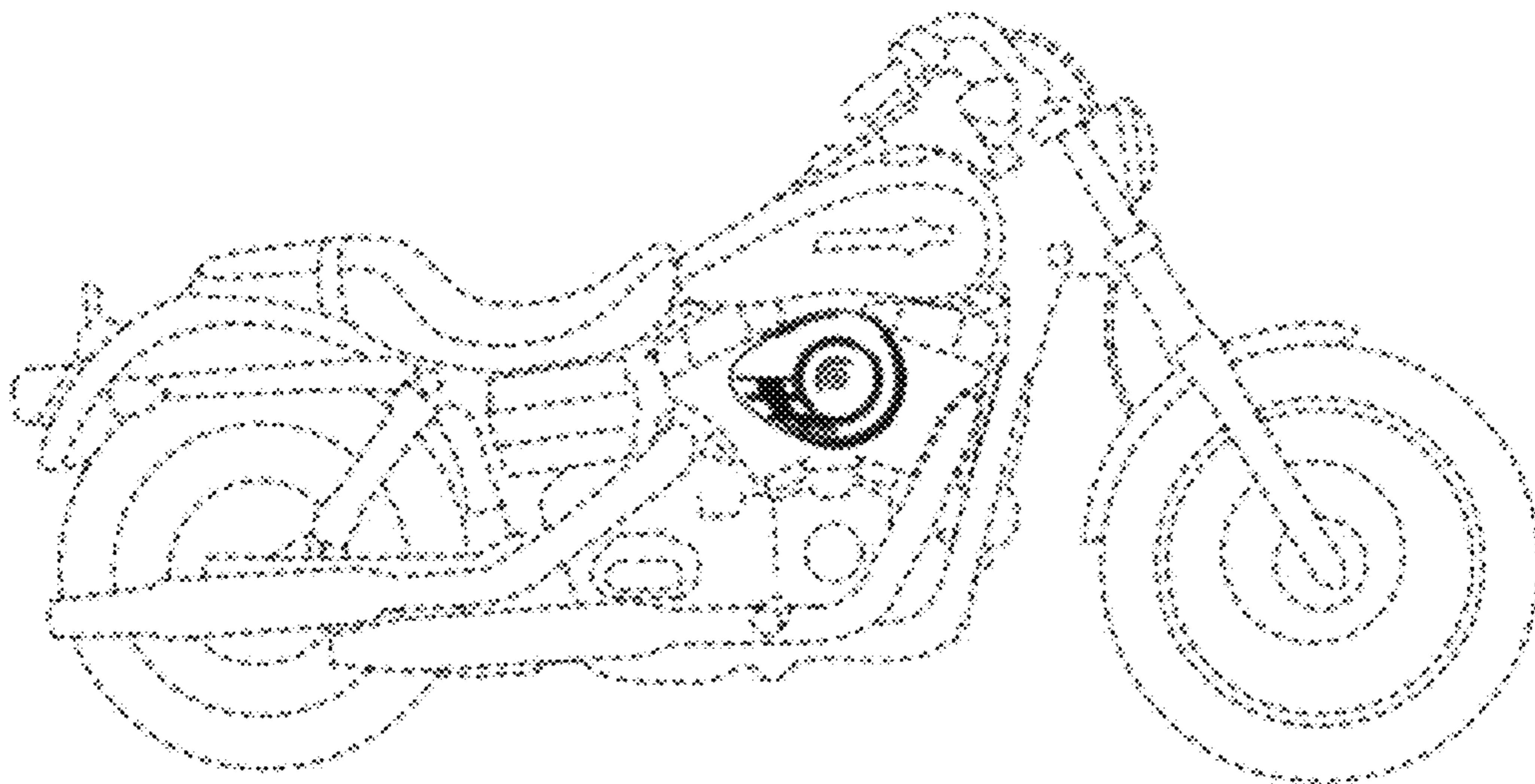


Fig. 8