



US00D676359S

(12) **United States Design Patent**
Panoz et al.

(10) **Patent No.:** **US D676,359 S**
(45) **Date of Patent:** **** Feb. 19, 2013**

(54) **AUTOMOBILE BODY**

(75) Inventors: **Daniel E. Panoz**, Braselton, GA (US);
Gregory Stuart Hunter, Shanghai (CN)

(73) Assignee: **Greentech Automotive, Inc.**, Tunica,
MS (US)

(**) Term: **14 Years**

(21) Appl. No.: **29/404,893**

(22) Filed: **Oct. 26, 2011**

(51) **LOC (9) Cl.** **12-08**

(52) **U.S. Cl.** **D12/86; D12/91**

(58) **Field of Classification Search** D12/86,
D12/90-92, 88; D21/424, 433, 434; 296/181.1,
296/181.5

See application file for complete search history.

(56) **References Cited**

U.S. PATENT DOCUMENTS

D549,134 S * 8/2007 Sinkwitz D12/91
D603,296 S * 11/2009 Zhou et al. D12/86
D629,717 S * 12/2010 Artioli D12/91

* cited by examiner

Primary Examiner — Melody N Brown

(74) *Attorney, Agent, or Firm* — Pillsbury Winthrop Shaw
Pitman, LLP

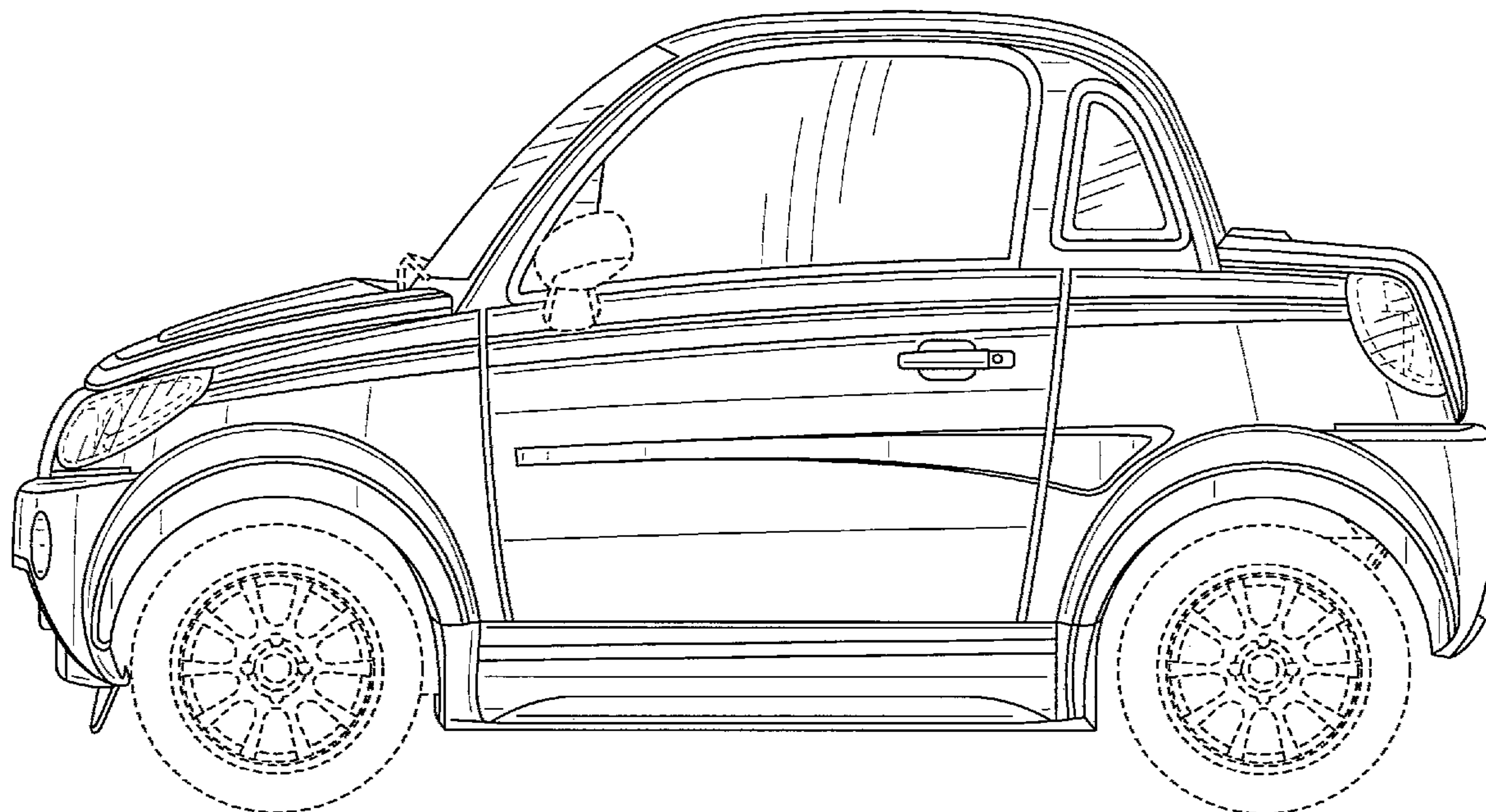
(57) **CLAIM**

The ornamental design for an automobile body, as shown and
described.

DESCRIPTION

FIG. 1 is a front perspective view of an embodiment of an
automobile body;
FIG. 2 is a front elevation;
FIG. 3 is a rear elevation;
FIG. 4 is a right side elevation;
FIG. 5 is a left side elevation; and,
FIG. 6 is a top plan view.

1 Claim, 6 Drawing Sheets



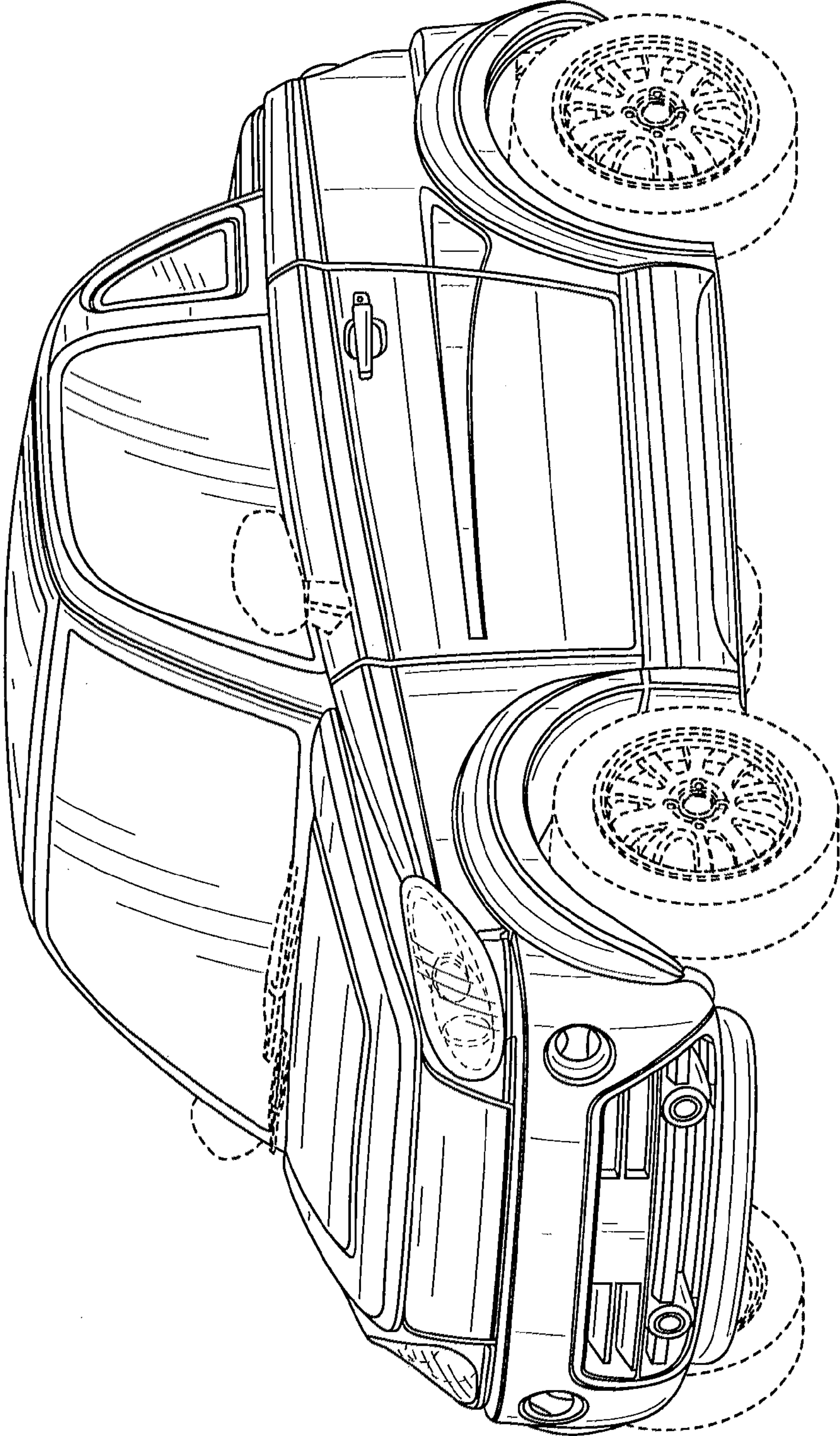


FIG. 1

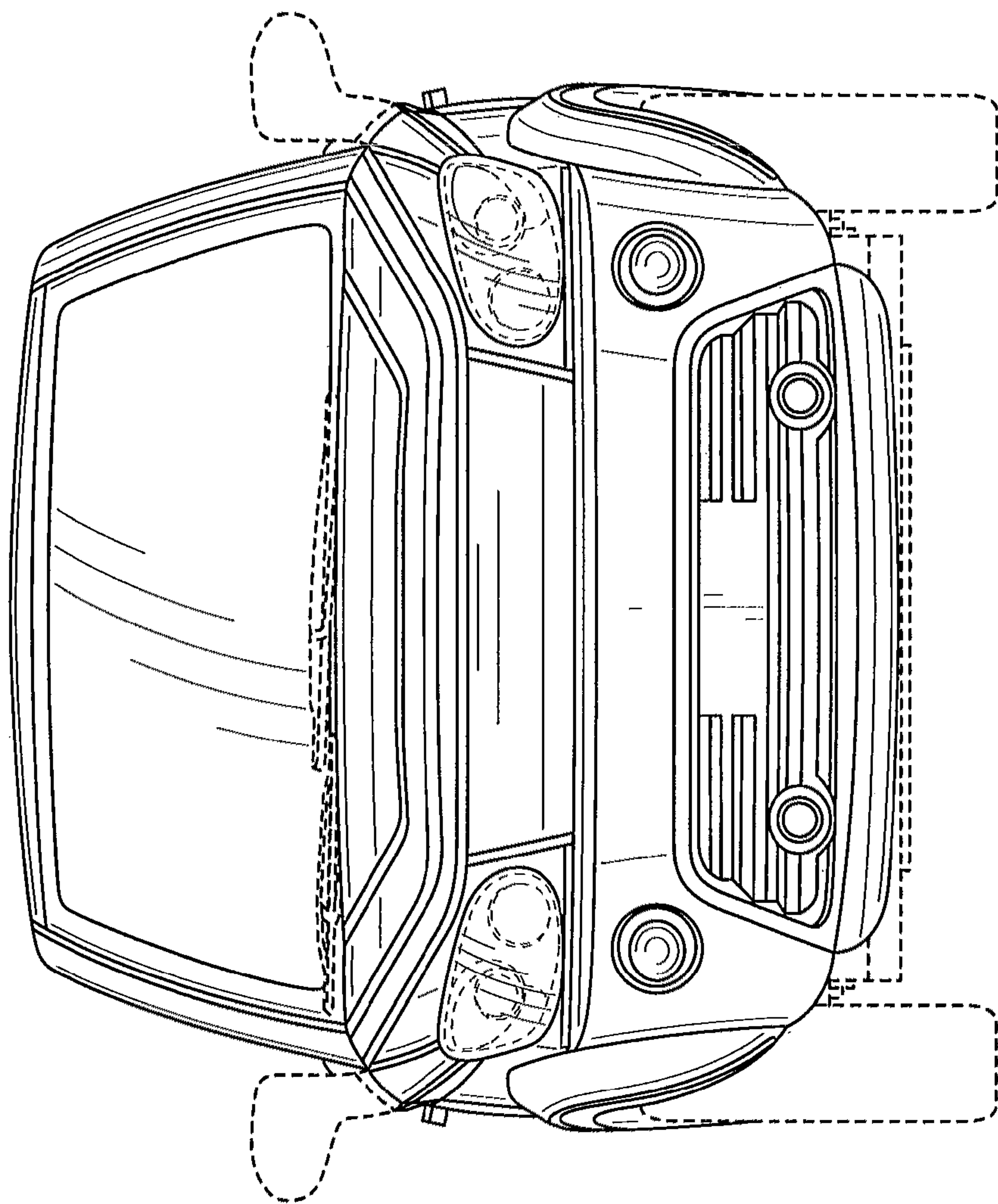


FIG. 2

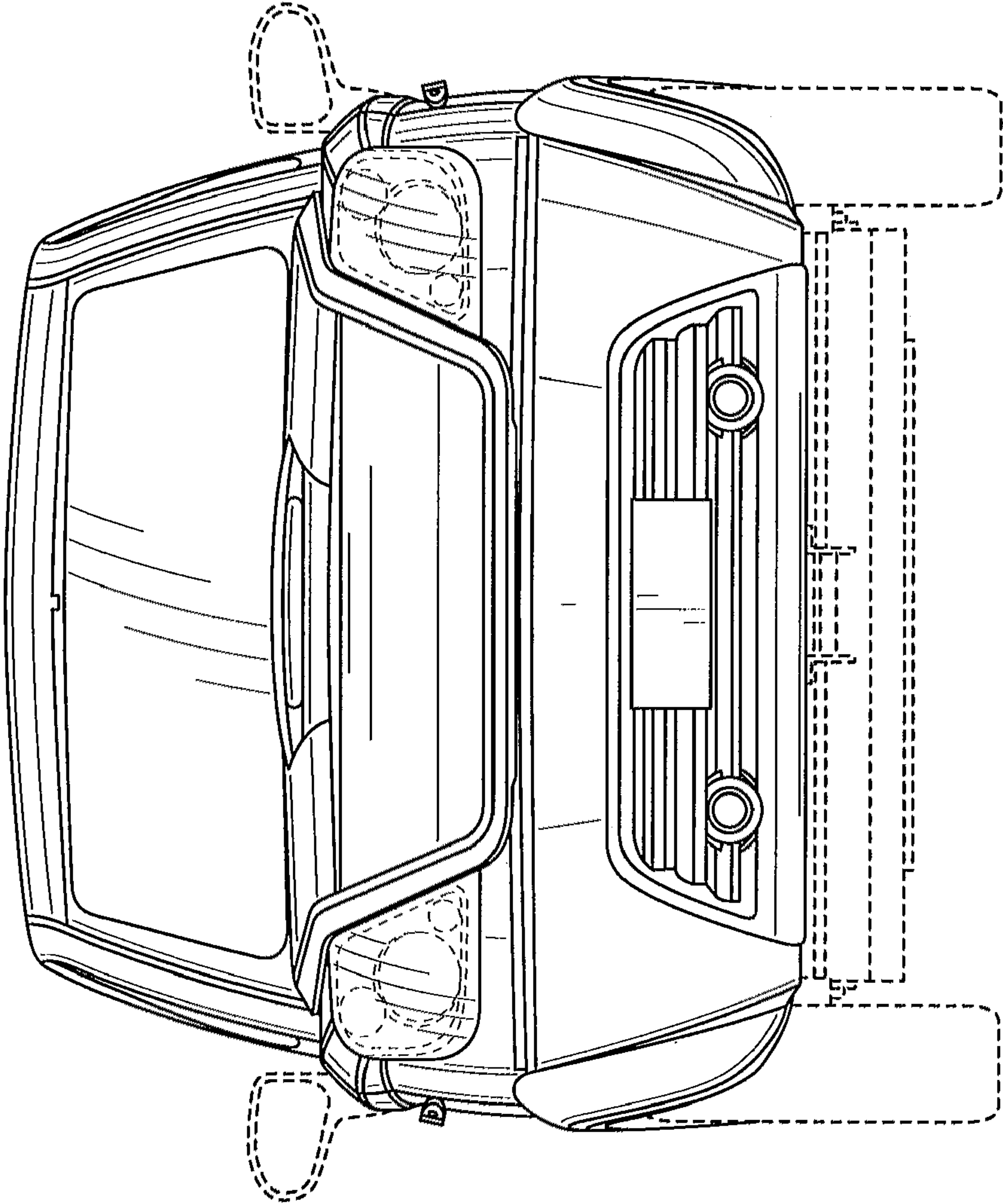


FIG. 3

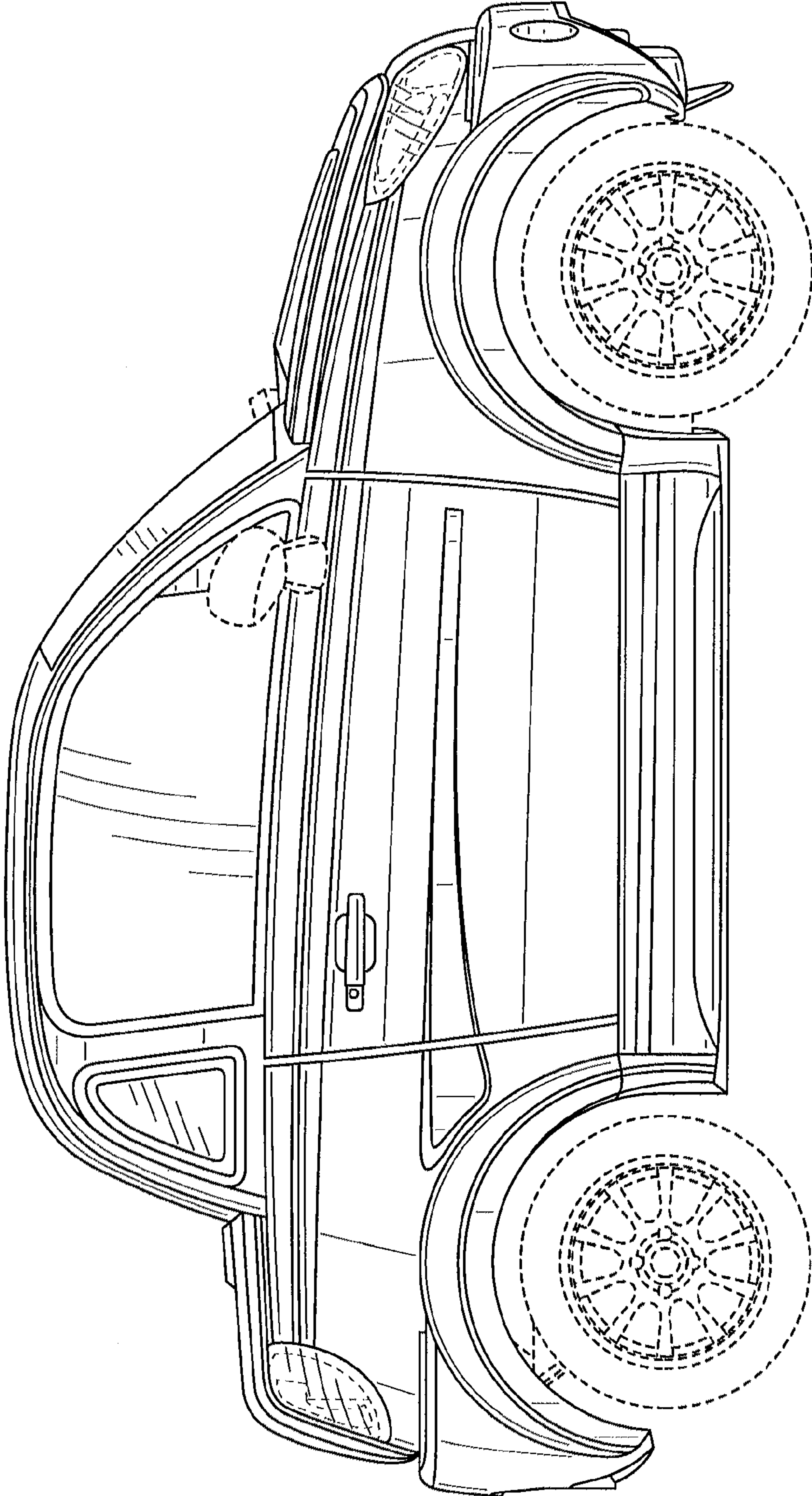


FIG. 4

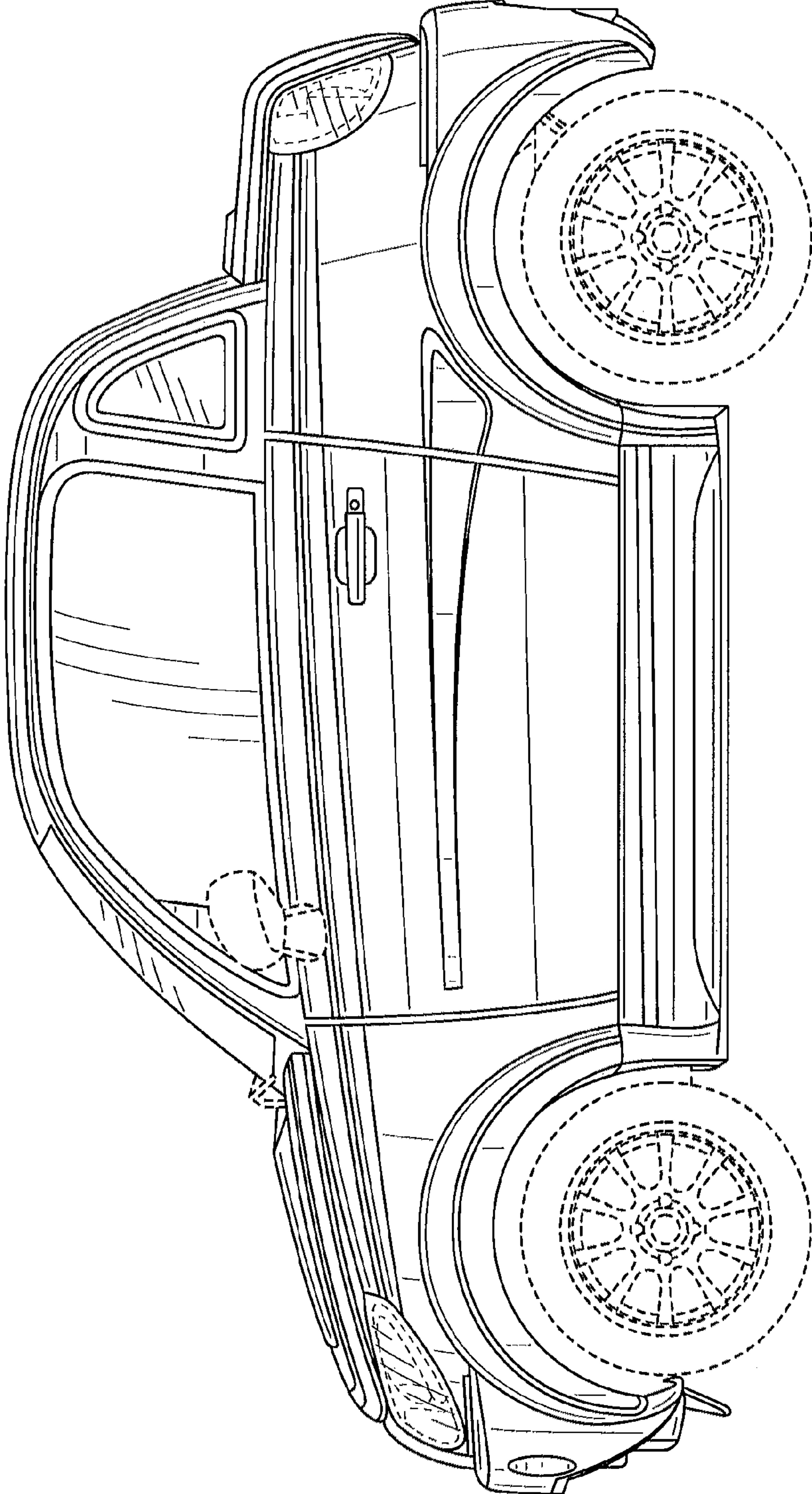


FIG. 5

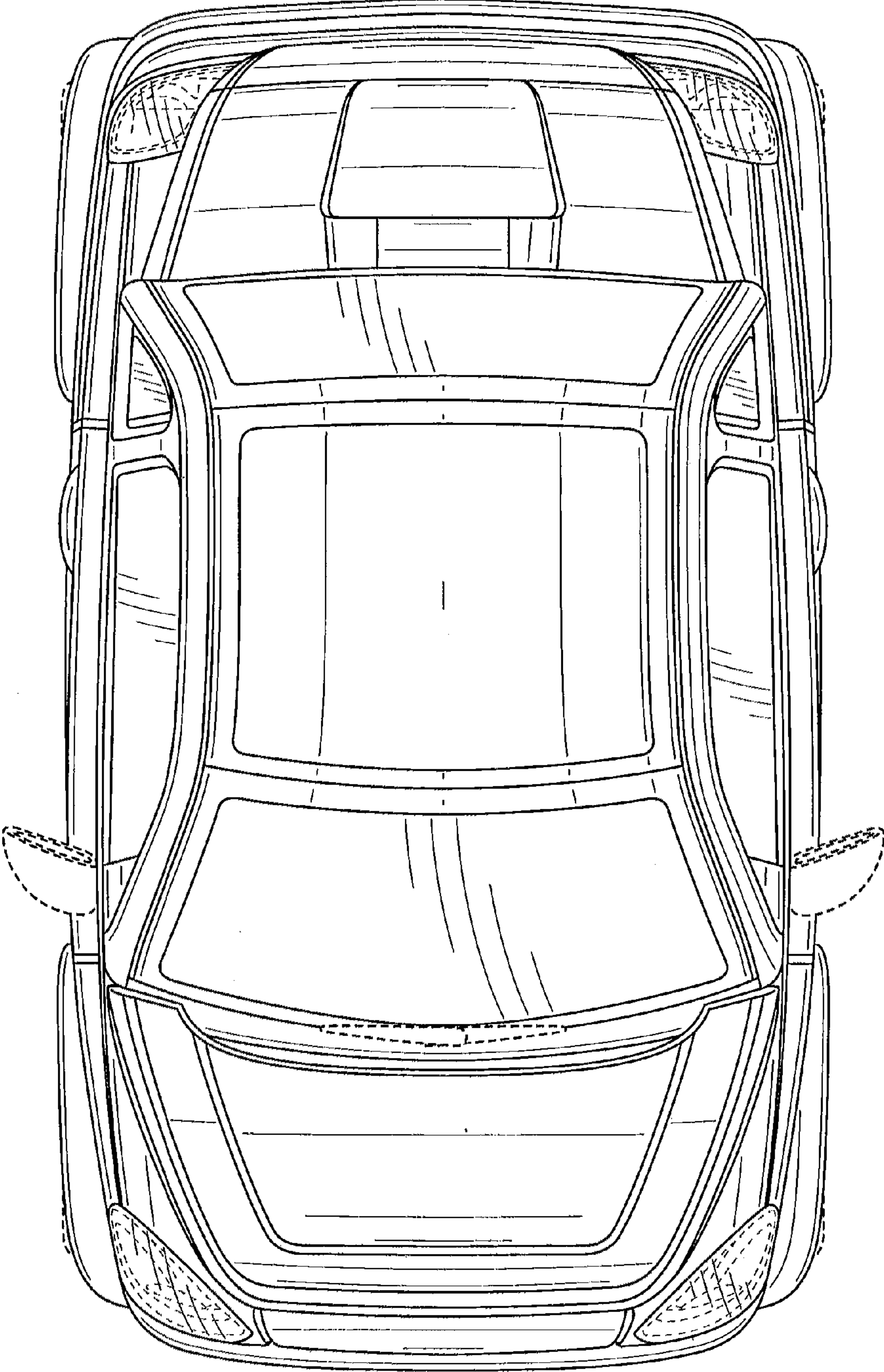


FIG. 6