



US00D676357S

(12) **United States Design Patent**
Phillips et al.

(10) **Patent No.:** **US D676,357 S**

(45) **Date of Patent:** **** *Feb. 19, 2013**

(54) **ZIPPER PULL**

(75) Inventors: **Alison Phillips**, Toronto (CA); **Todd Andrew Wood**, Toronto (CA); **Brian Dennis Paschke**, Toronto (CA)

(73) Assignee: **Research In Motion Limited**, Waterloo, Ontario (CA)

(*) Notice: This patent is subject to a terminal disclaimer.

(**) Term: **14 Years**

(21) Appl. No.: **29/388,143**

(22) Filed: **Mar. 24, 2011**

(51) **LOC (9) Cl.** **02-07**

(52) **U.S. Cl.** **D11/221**

(58) **Field of Classification Search** D11/200,
D11/201, 221; 24/381–383, 385–387, 414–417,
24/421–422, 427–431, 433; 2/265

See application file for complete search history.

(56) **References Cited**

U.S. PATENT DOCUMENTS

D254,761 S *	4/1980	Davis	D11/221
D333,109 S *	2/1993	Franklin	D11/221
D482,987 S *	12/2003	Ritter	D11/221
D495,623 S *	9/2004	Nordstrom et al.	D11/221
D513,419 S *	1/2006	Morrison et al.	D20/28

* cited by examiner

Primary Examiner — Ralf Seifert

(57) **CLAIM**

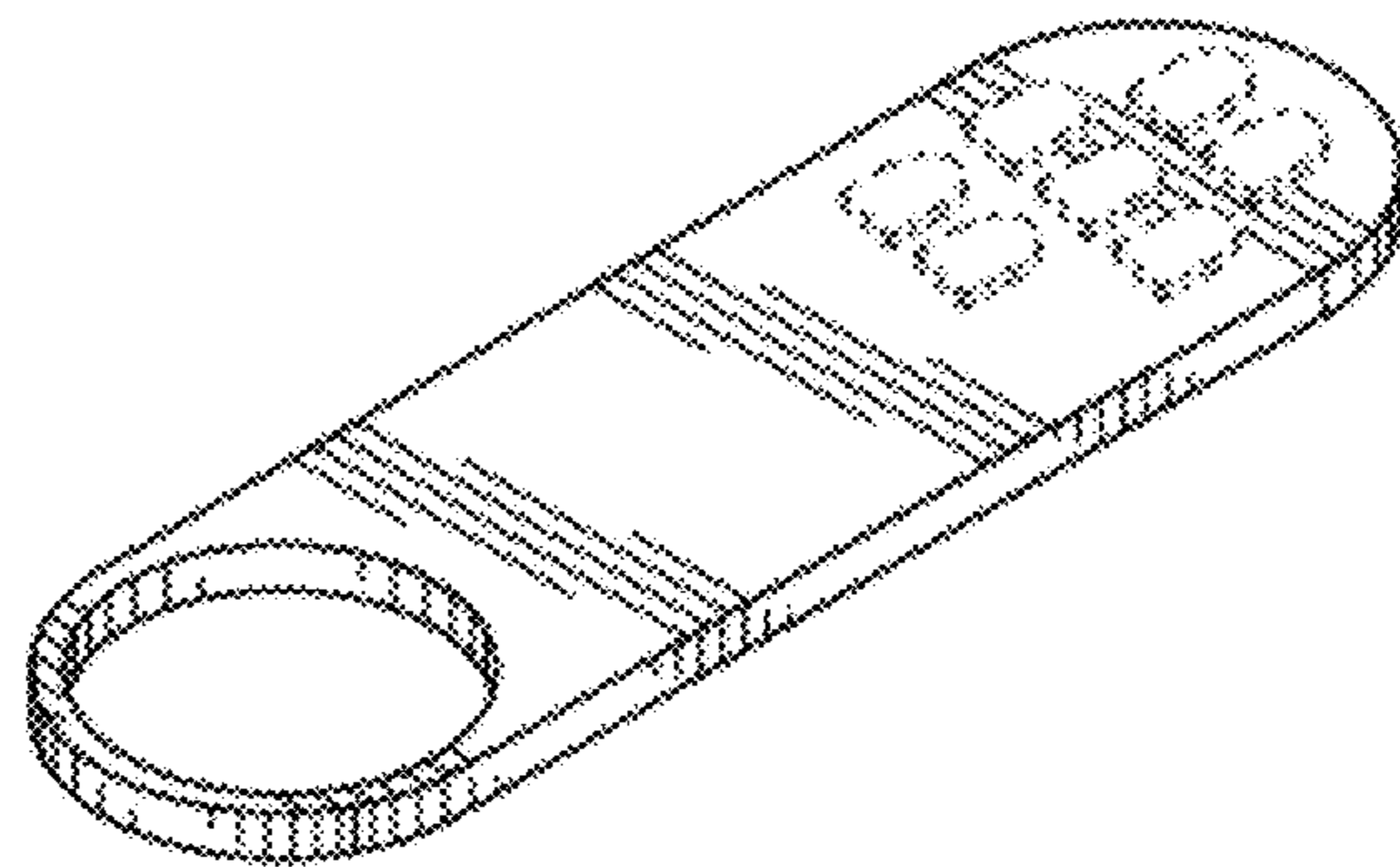
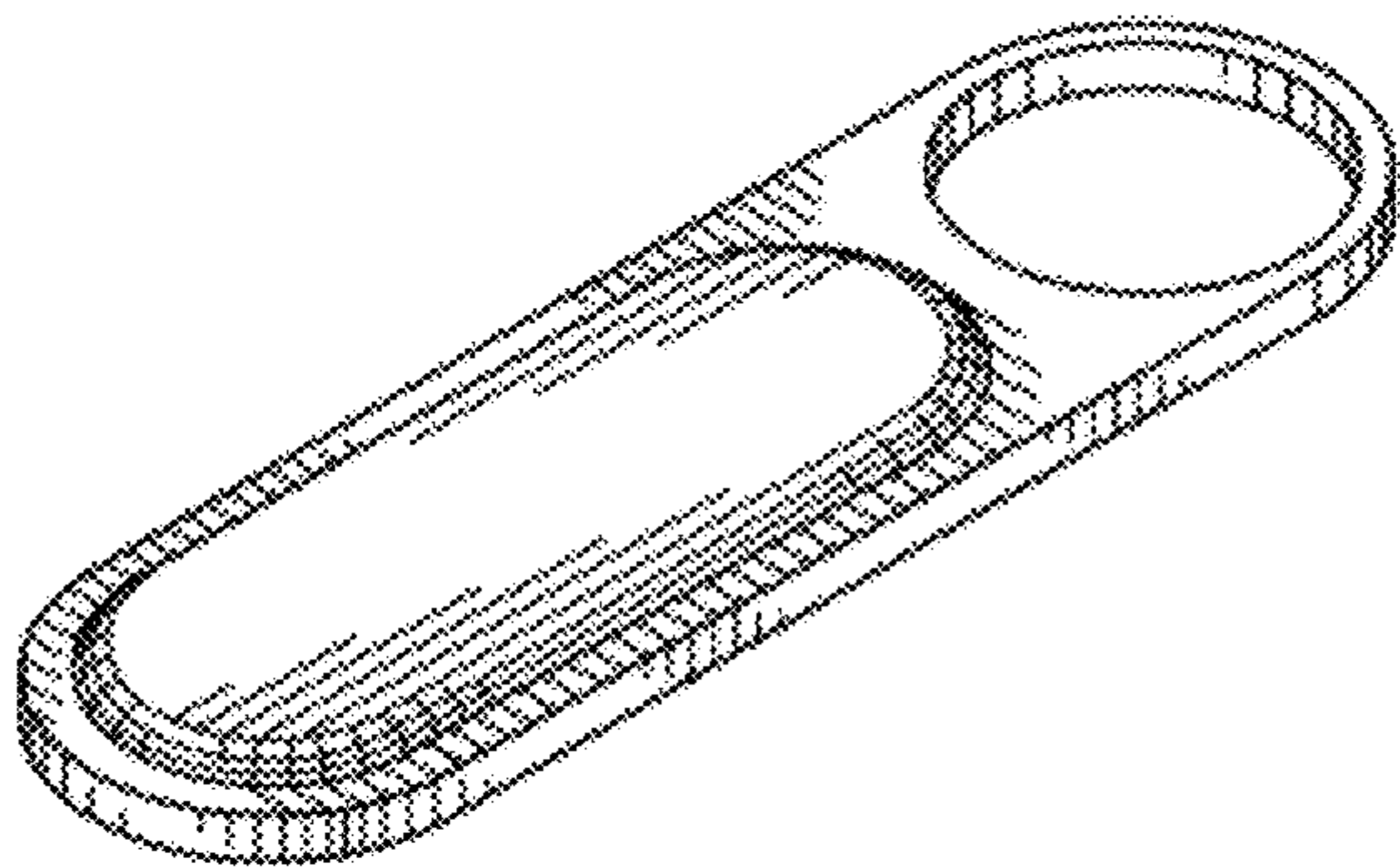
We claim the ornamental design for a zipper pull, as shown and described.

DESCRIPTION

FIG. 1 is a front perspective view of a zipper pull;
FIG. 2 is a back bottom perspective view of the zipper pull;
FIG. 3 is a top plan view thereof;
FIG. 4 is a front elevational view thereof;
FIG. 5 is a left elevational view thereof;
FIG. 6 is a back elevational view thereof;
FIG. 7 is a bottom plan view thereof; and,
FIG. 8 is a right elevational view thereof.

The broken lines shown in the drawings of the zipper pull are for the purpose of illustrating portions of the article and form no part of the claimed design.

1 Claim, 2 Drawing Sheets



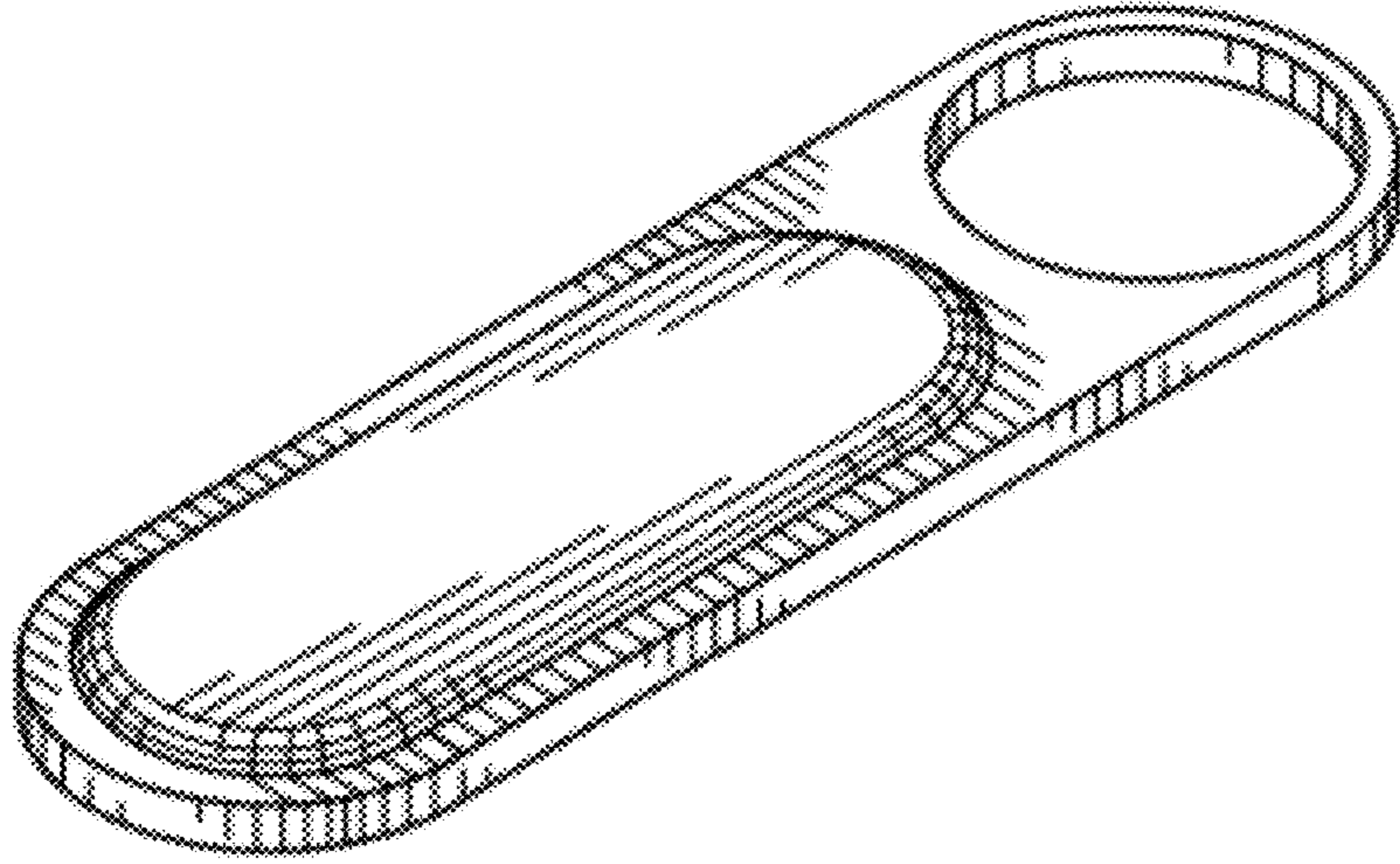


FIG. 1

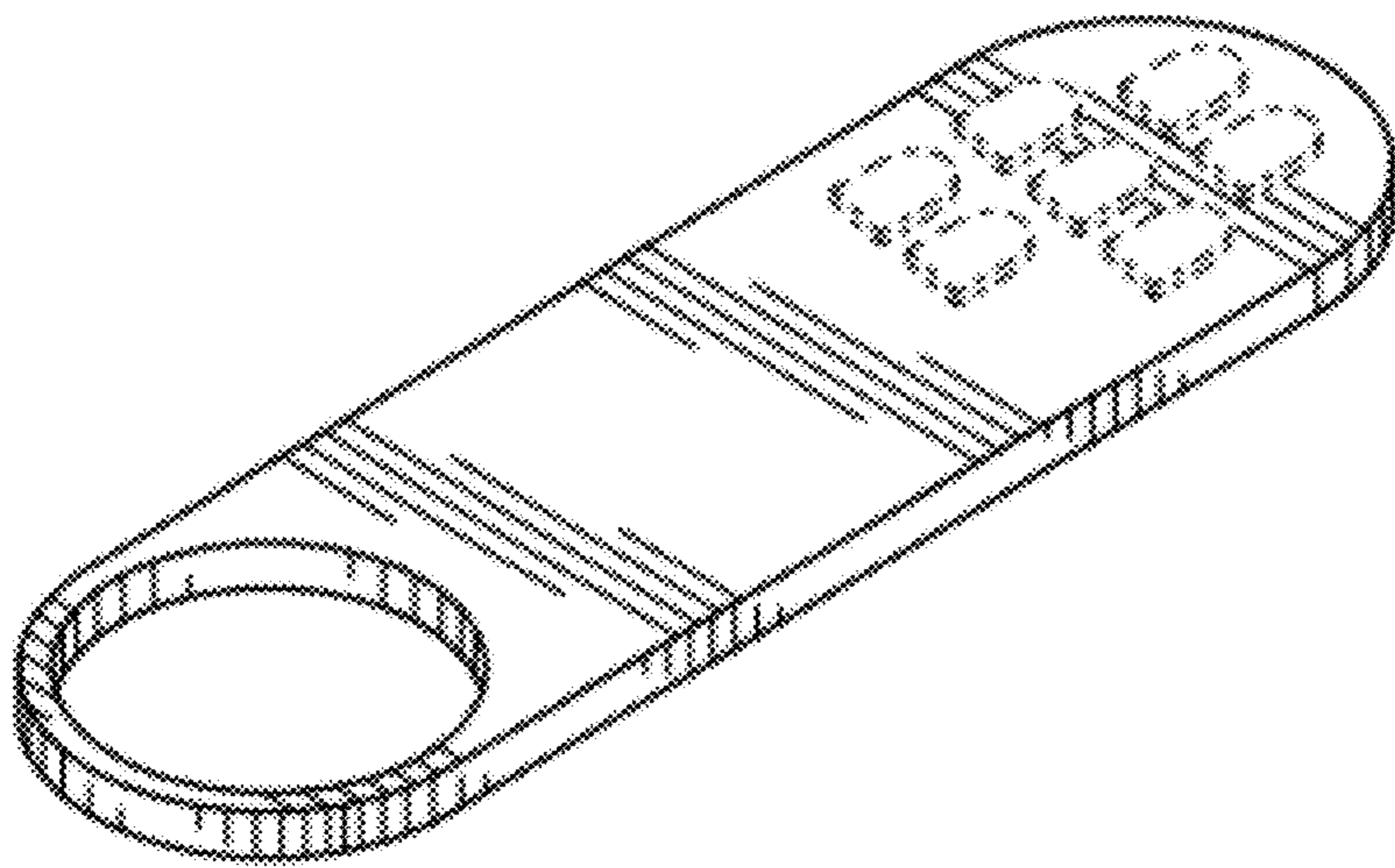


FIG. 2

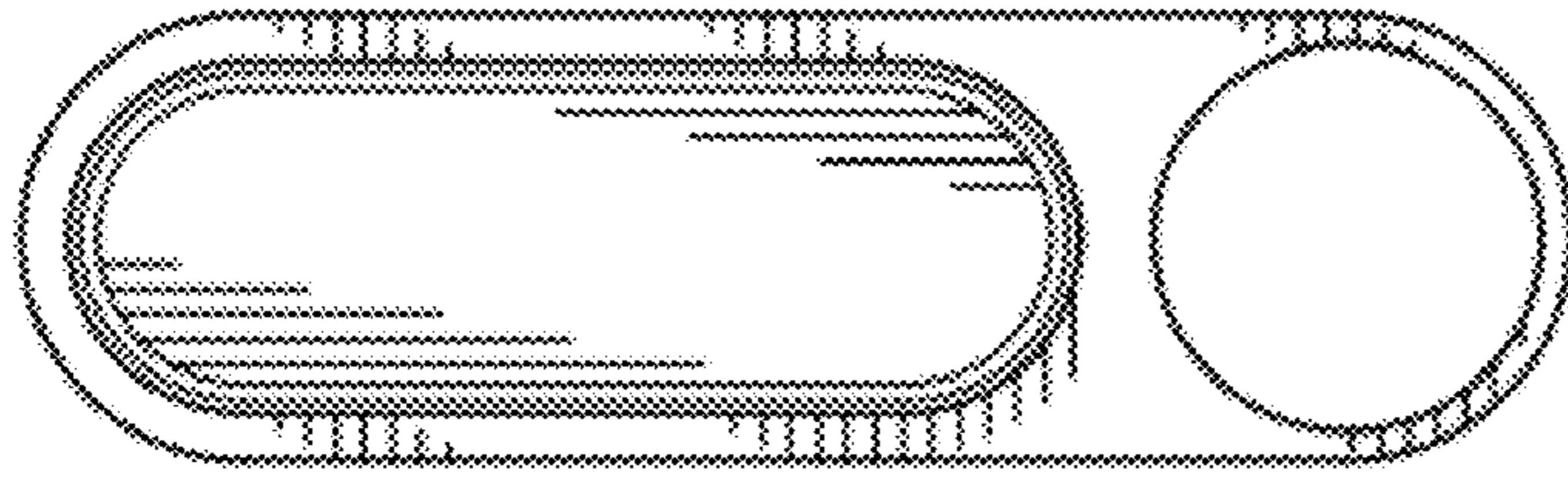


FIG. 3



FIG. 4

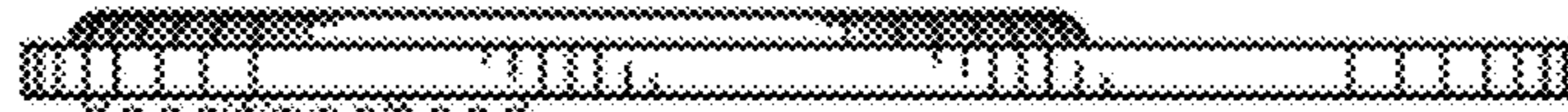


FIG. 5



FIG. 6

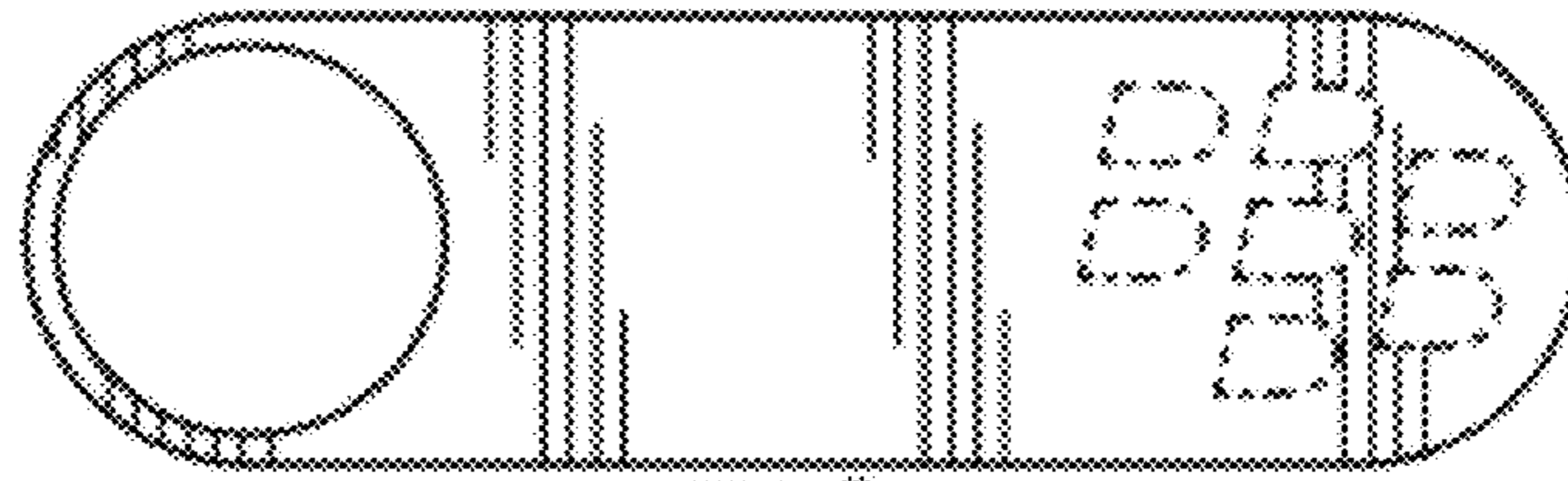


FIG. 7

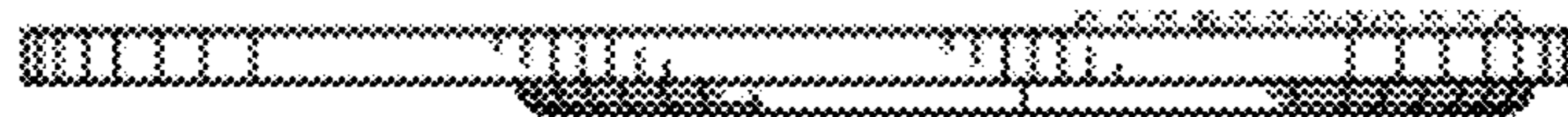


FIG. 8