



US00D676356S

(12) **United States Design Patent**
Maness

(10) **Patent No.:** **US D676,356 S**

(45) **Date of Patent:** **** Feb. 19, 2013**

(54) **NOVELTY GAS PUMP NOZZLE**

(76) **Inventor:** **Gerald Reid Maness**, Midland, NC
(US)

(**) **Term:** **14 Years**

(21) **Appl. No.:** **29/417,162**

(22) **Filed:** **Mar. 30, 2012**

(51) **LOC (9) Cl.** **11-02**

(52) **U.S. Cl.** **D11/157**

(58) **Field of Classification Search** D11/1-7,
D11/9, 13-14, 16-17, 26, 40-44, 46, 48-49,
D11/53, 56-57, 61, 66, 69, 74-77, 79, 80-92,
D11/95-101, 103, 105, 108, 116, 131-135,
D11/157, 164, 184; 137/614, 614.04, 614.05,
137/614.03, 68.14, 315.01, 315.27; 285/311,
285/346

See application file for complete search history.

(56) **References Cited**

U.S. PATENT DOCUMENTS

2,524,509	A *	10/1950	Barney	137/379
2,797,526	A *	7/1957	Milhas, Jr.	446/483
D206,928	S *	2/1967	Noyes	D23/226
3,710,830	A *	1/1973	Gilson	141/93
4,354,536	A *	10/1982	Moss	141/383
4,644,984	A *	2/1987	Abraham	141/392
4,802,516	A *	2/1989	Dahlem	141/392
5,928,085	A *	7/1999	Lehr	472/51
6,182,695	B1 *	2/2001	Coates et al.	137/614
6,216,914	B1 *	4/2001	Martucci	222/78
7,581,572	B1 *	9/2009	Sutera et al.	141/311 A
7,607,459	B2 *	10/2009	Treen, Jr.	141/311 A
2002/0185622	A1 *	12/2002	Bruns	251/90
2010/0175786	A1 *	7/2010	Martin	141/392

* cited by examiner

Primary Examiner — T. Chase Nelson

Assistant Examiner — Michelle E Wilson

(74) *Attorney, Agent, or Firm* — Shumaker, Loop & Kendrick, LLP

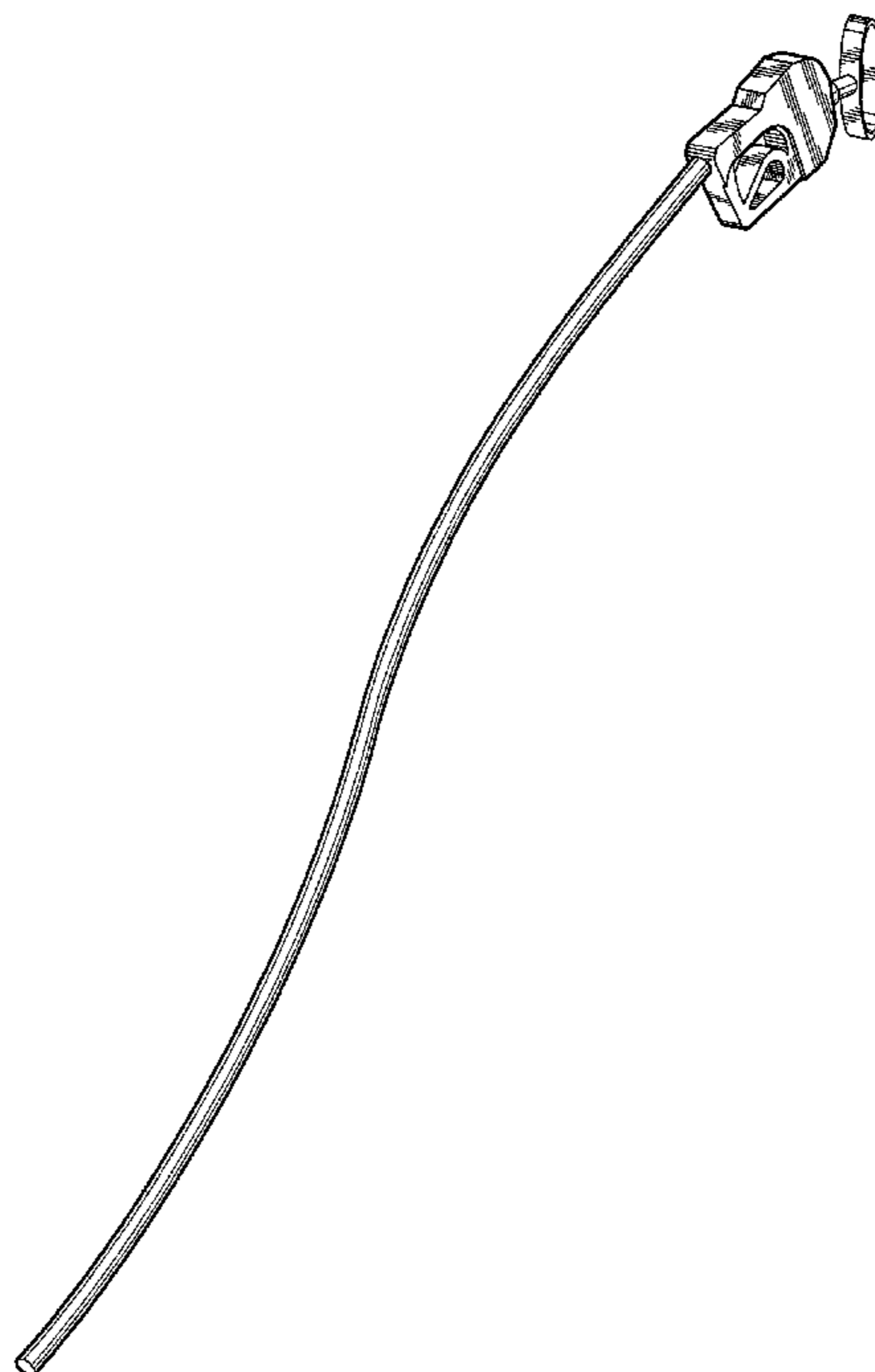
(57) **CLAIM**

The ornamental design for a novelty gas pump nozzle, as shown and described.

DESCRIPTION

FIG. 1 is a perspective view of a novelty gas pump nozzle showing the new design;
 FIG. 2 is another perspective view thereof, shown broken away for ease of illustration;
 FIG. 3 is a right side elevation view thereof, shown broken away for ease of illustration. The left side view is a mirror image of the right side;
 FIG. 4 is a front end view thereof, shown broken away for ease of illustration;
 FIG. 5 is a back end view thereof, shown broken away for ease of illustration;
 FIG. 6 is a top plan view thereof, shown broken away for ease of illustration;
 FIG. 7 is a bottom plan view thereof, shown broken away for ease of illustration; and,
 FIG. 8 is an environmental view showing the novelty gas pump nozzle in use.
 The broken lines shown in FIG. 8 are for environmental purposes only and form no part of the claimed design.

1 Claim, 4 Drawing Sheets



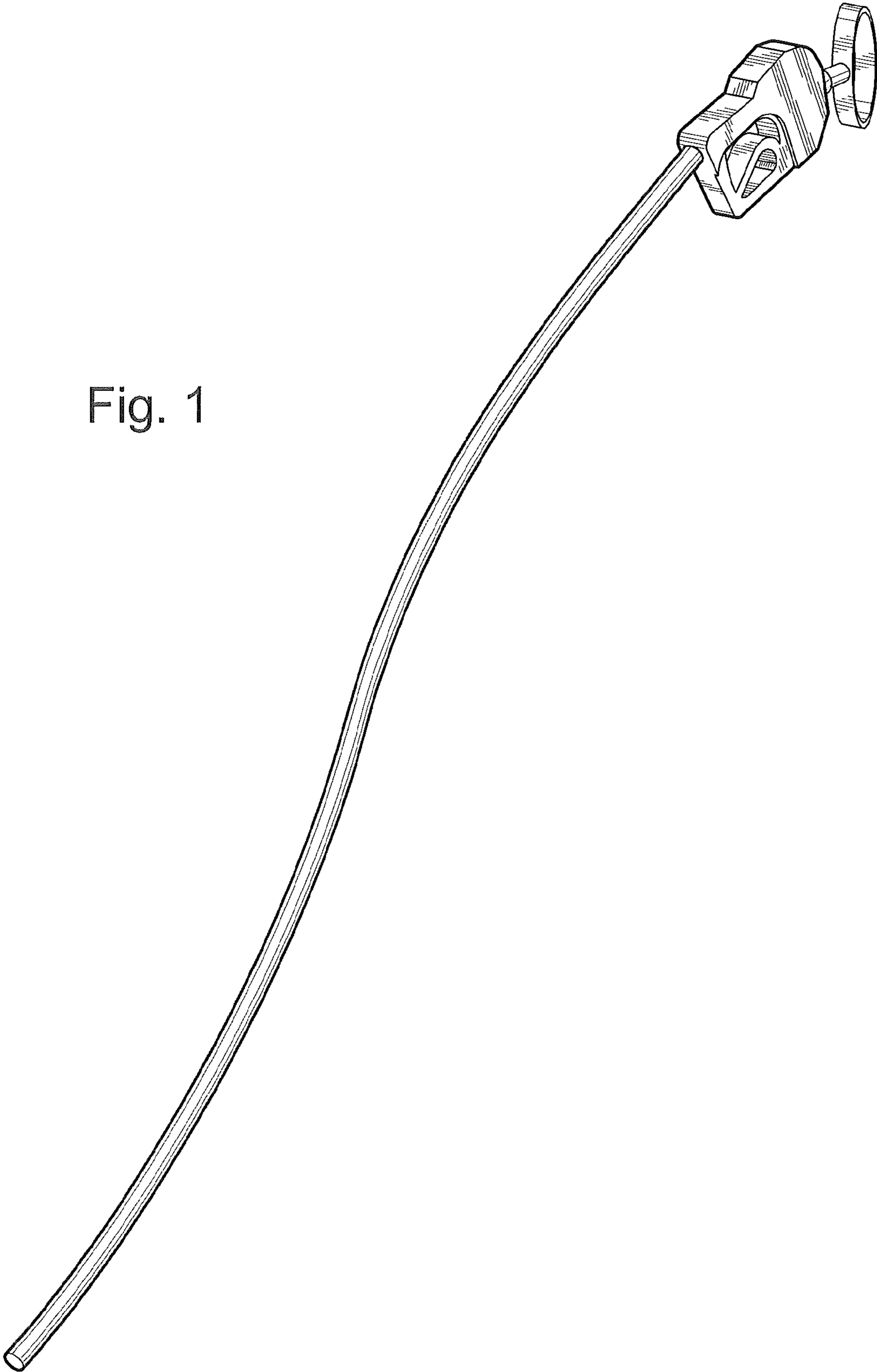


Fig. 1

Fig. 2

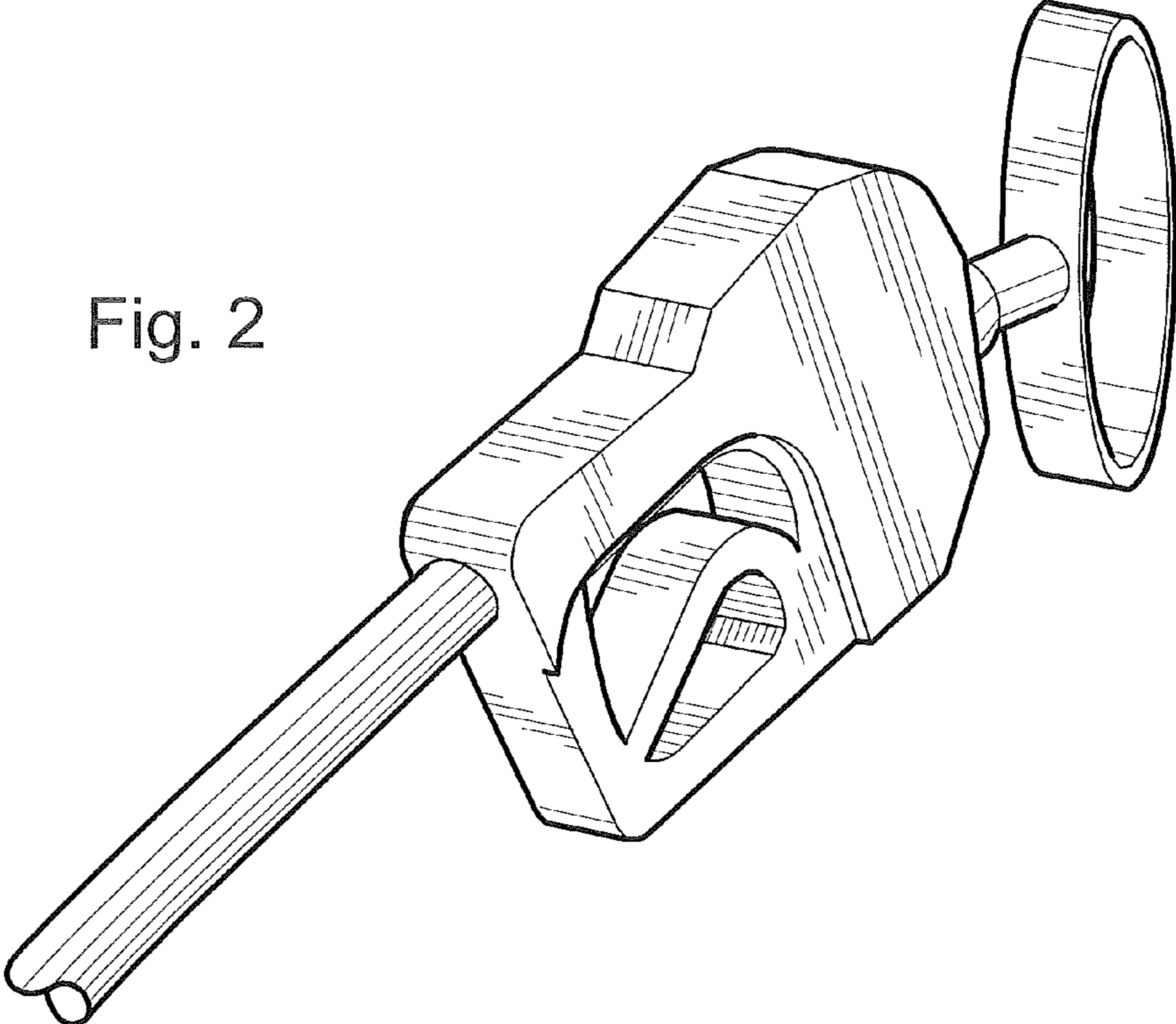
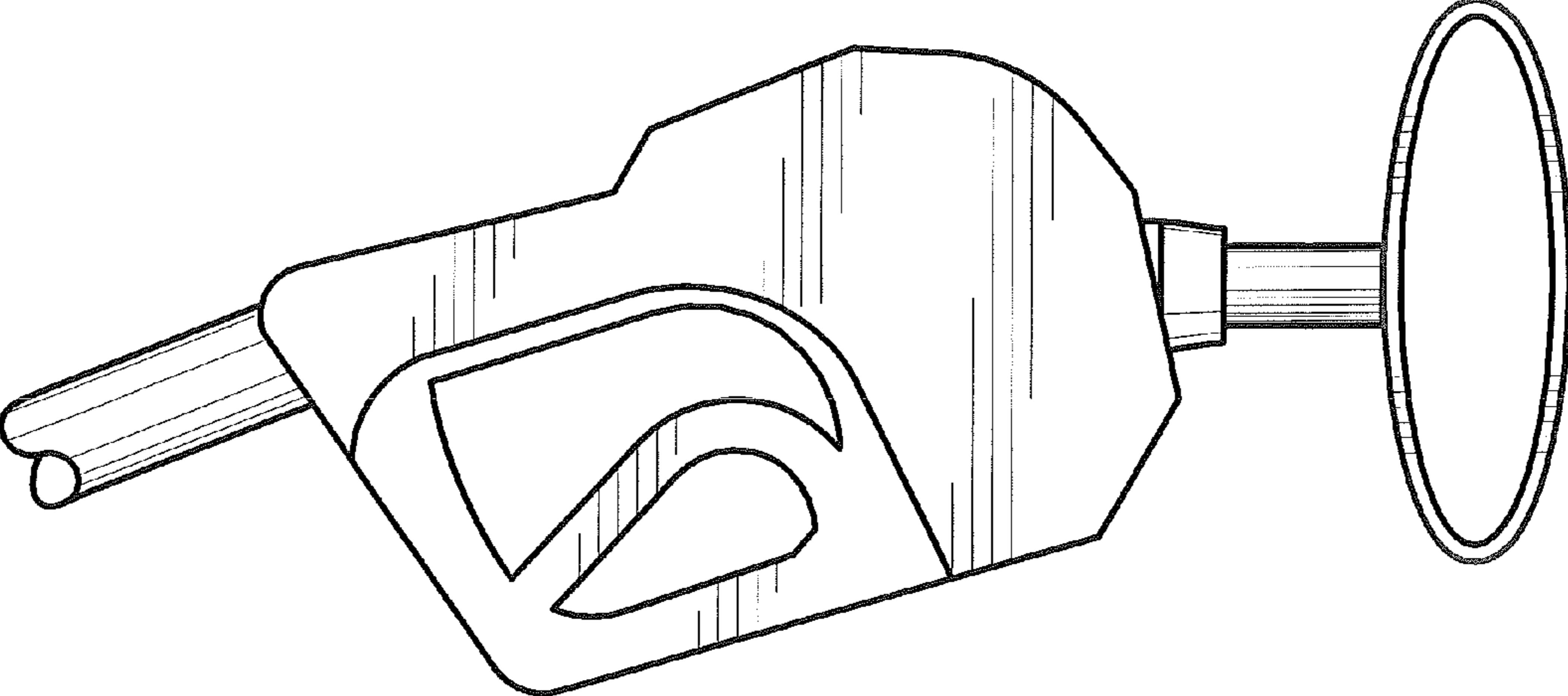


Fig. 3



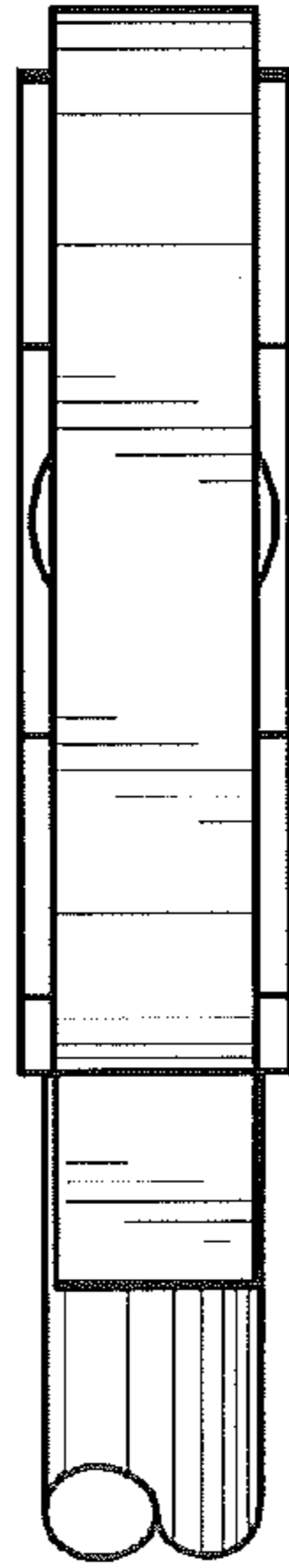


Fig. 4

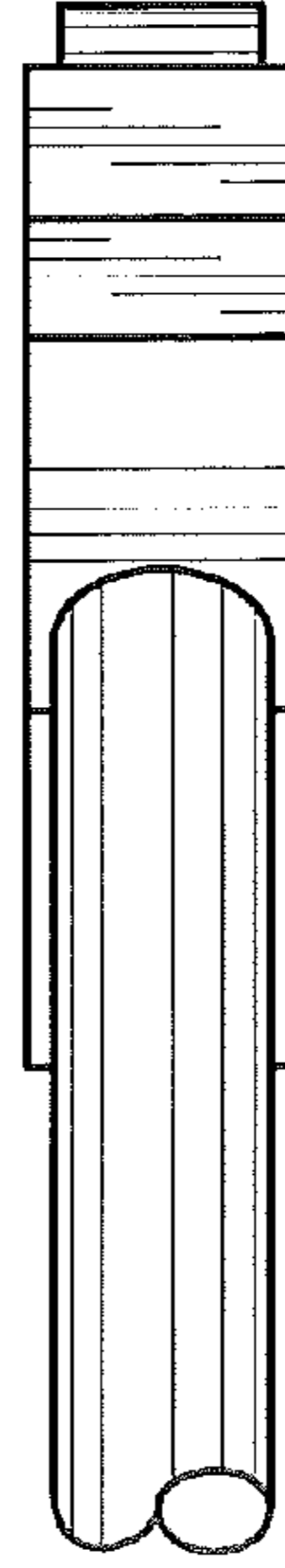


Fig. 5

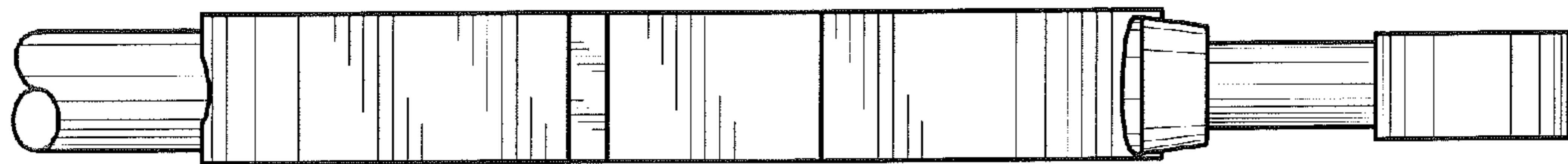


Fig. 6

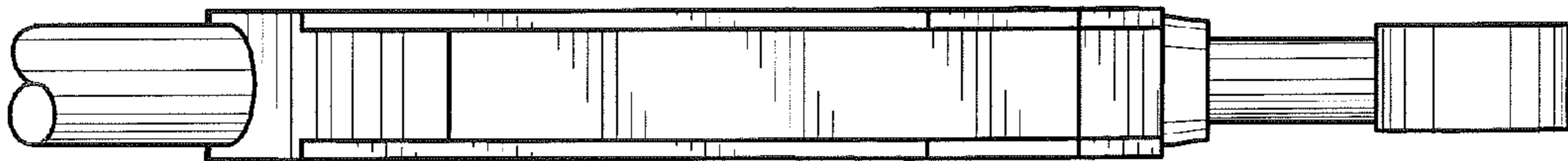


Fig. 7

Fig. 8

