



US00D676355S

(12) **United States Design Patent**  
**Williamsen**

(10) **Patent No.:** **US D676,355 S**

(45) **Date of Patent:** **\*\* Feb. 19, 2013**

(54) **OUTDOOR PLANT CONTAINER**

(76) Inventor: **Brian Steven Williamsen**, Green Bay,  
WI (US)

(\*\*) Term: **14 Years**

(21) Appl. No.: **29/424,678**

(22) Filed: **Jun. 14, 2012**

(51) **LOC (9) Cl.** ..... **11-02**

(52) **U.S. Cl.** ..... **D11/156; D6/403**

(58) **Field of Classification Search** ..... D6/403-405,  
D6/556-558; D8/1; D11/143-156, 164;  
D19/77, 80, 81, 84; D25/100; D26/9-11,  
D26/16, 19; D34/1, 2, 4-6; D99/5, 19; 47/17,  
47/32.4, 32.5, 32.7, 33, 39, 41.01, 41.1, 41.11-41.15,  
47/44-47, 65, 65.5, 65.9, 66.1, 66.2, 66.6,  
47/66.7, 67-71

See application file for complete search history.

(56) **References Cited**

**U.S. PATENT DOCUMENTS**

1,980,239 A \* 11/1934 Vetter ..... 47/44  
D271,955 S \* 12/1983 Neil ..... D11/156

D359,930 S \* 7/1995 Tuttle ..... D11/155  
D388,362 S \* 12/1997 Tuttle ..... D11/155  
D606,773 S \* 12/2009 Copp et al. .... D6/403  
D643,647 S \* 8/2011 Owen et al. .... D6/403  
D655,221 S \* 3/2012 Adams ..... D11/155

\* cited by examiner

*Primary Examiner* — Garth Rademaker

(74) *Attorney, Agent, or Firm* — Steven H. Greenfield;  
Greenfield Invention and Patent Consulting MC

(57) **CLAIM**

The ornamental design for an outdoor plant container, as shown and described.

**DESCRIPTION**

FIG. 1 is a front view of an outdoor plant container showing my new design, the rear view being identical thereto;

FIG. 2 is a top view thereof;

FIG. 3 is a side view thereof, the opposite side identical thereto;

FIG. 4 is a bottom view thereof;

FIG. 5 is a top perspective view thereof; and,

FIG. 6 is a bottom perspective view thereof.

**1 Claim, 6 Drawing Sheets**

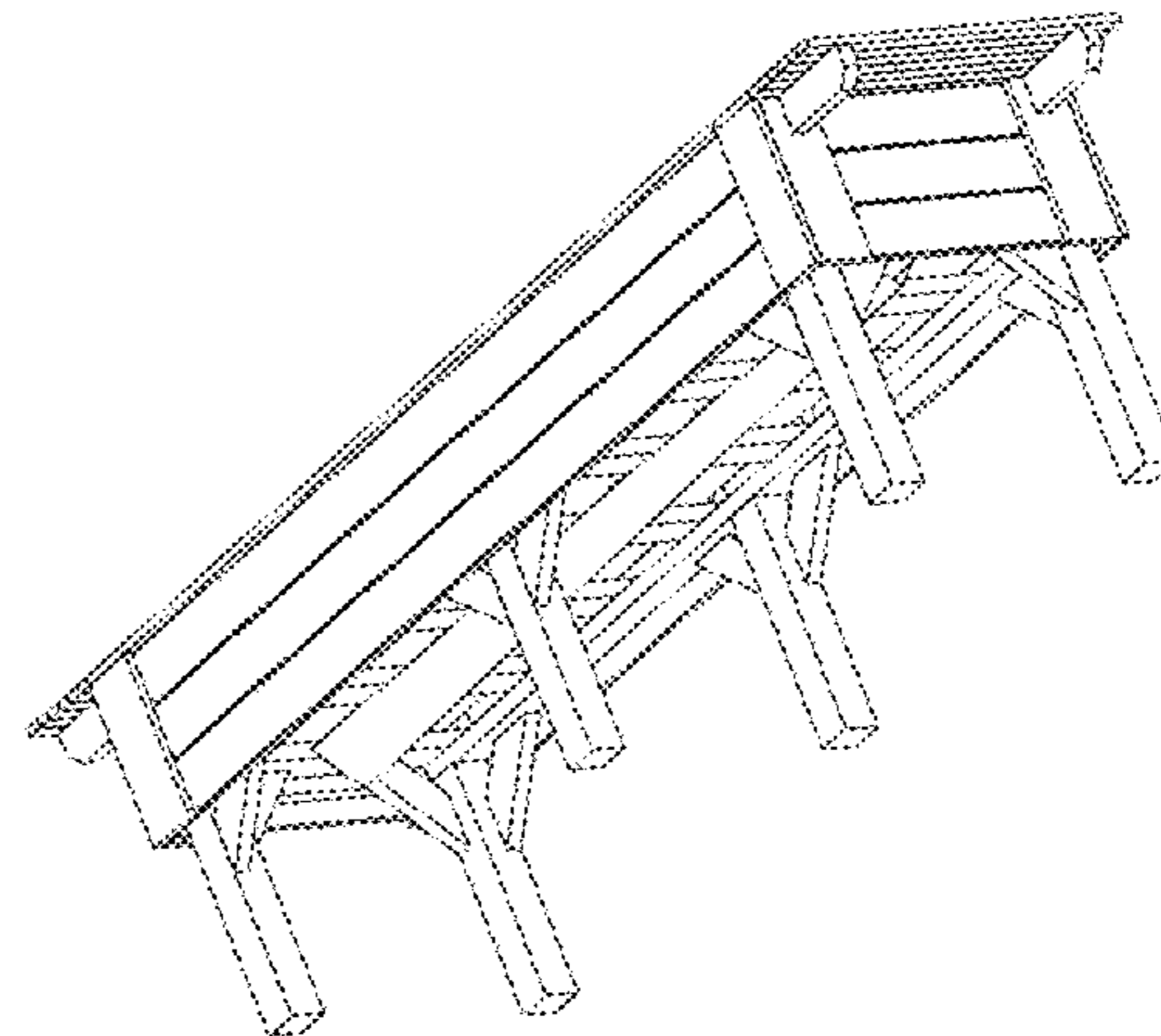
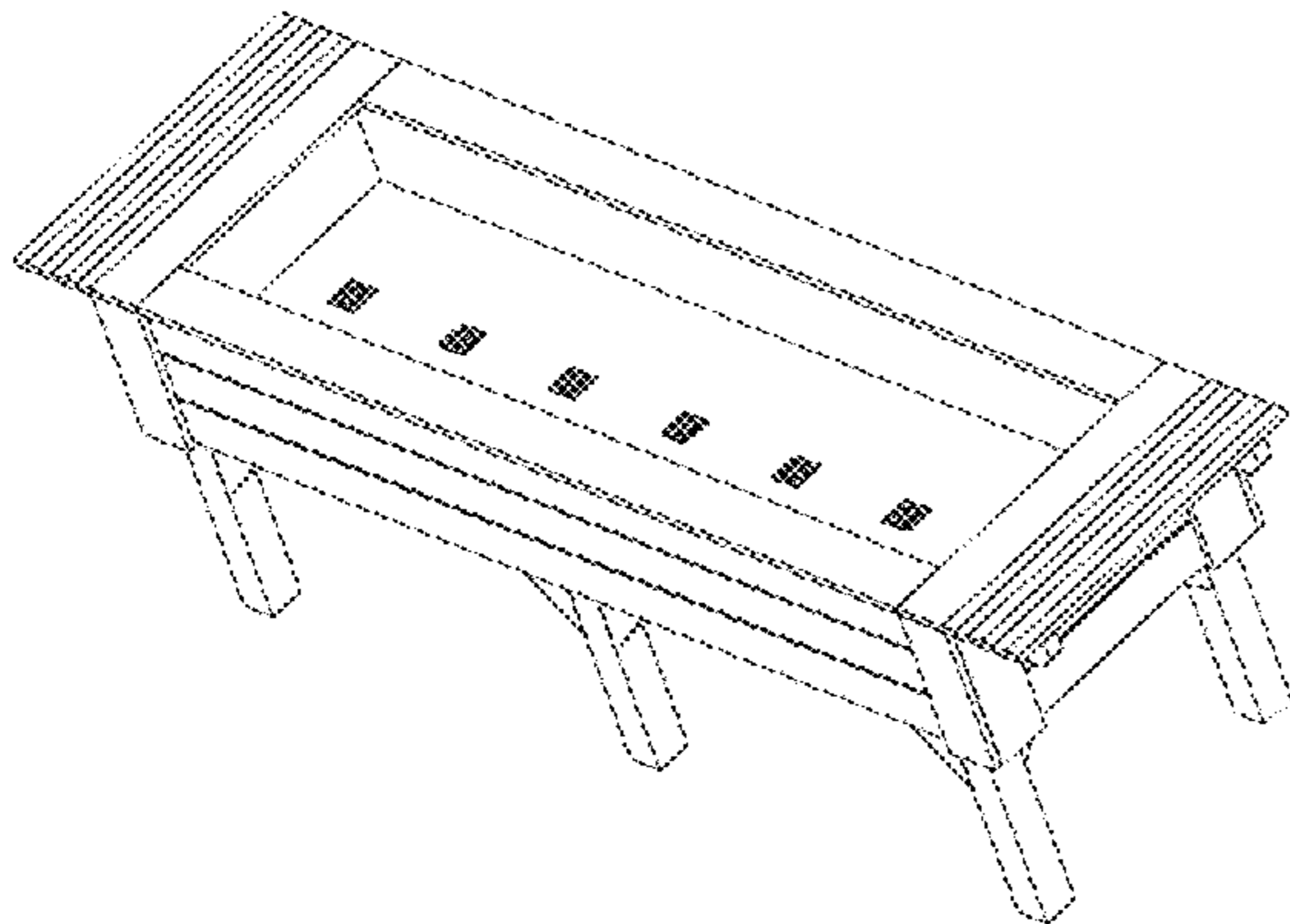


FIG. 1

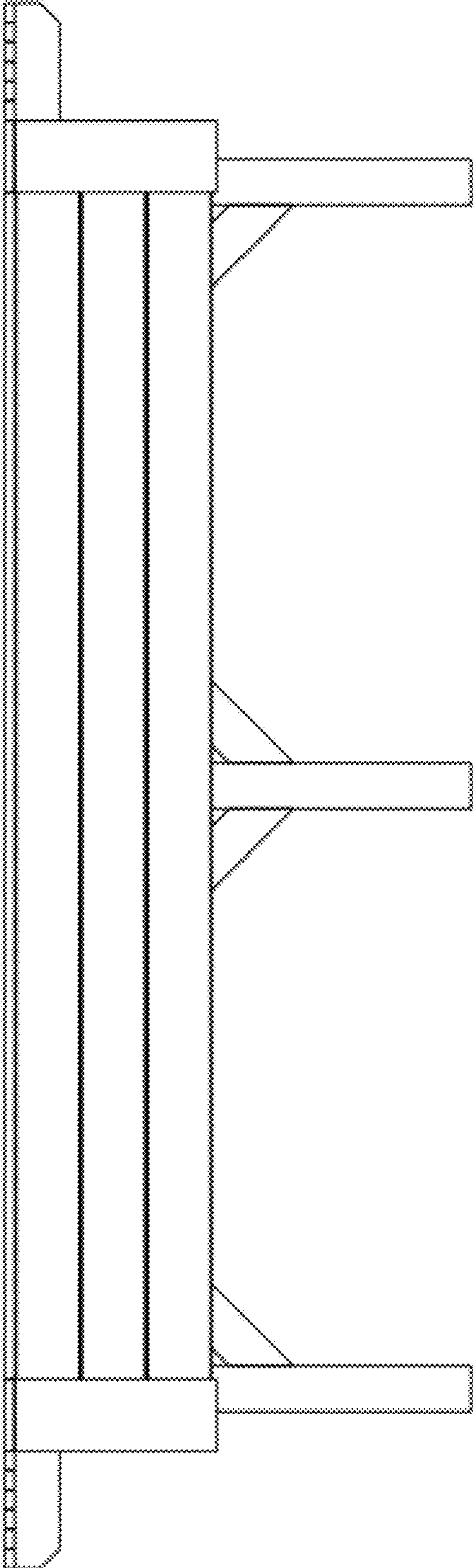


FIG. 2

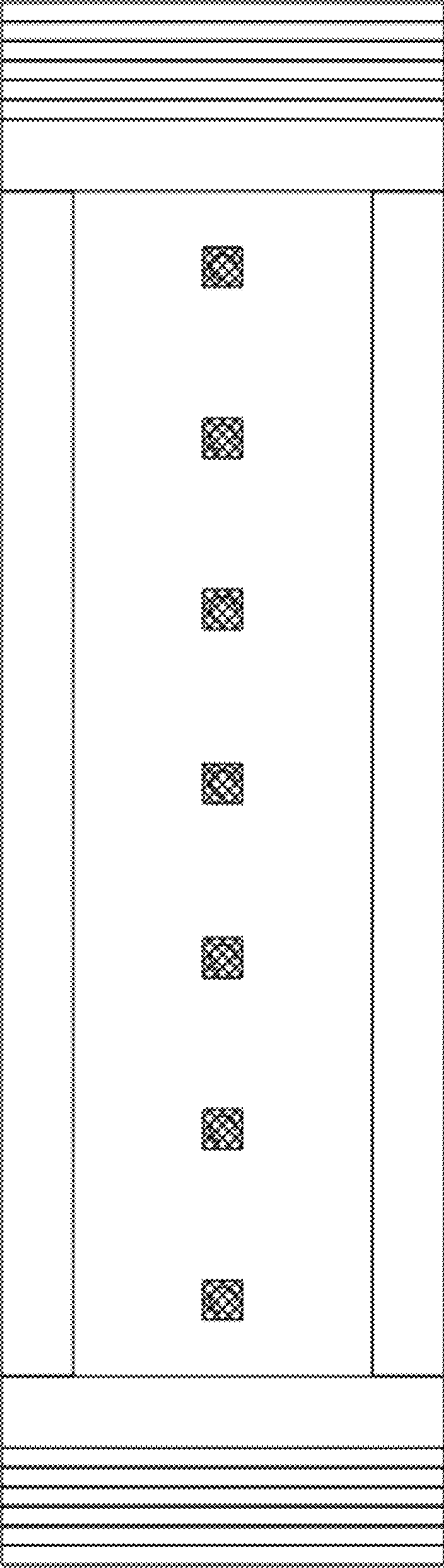


FIG. 3

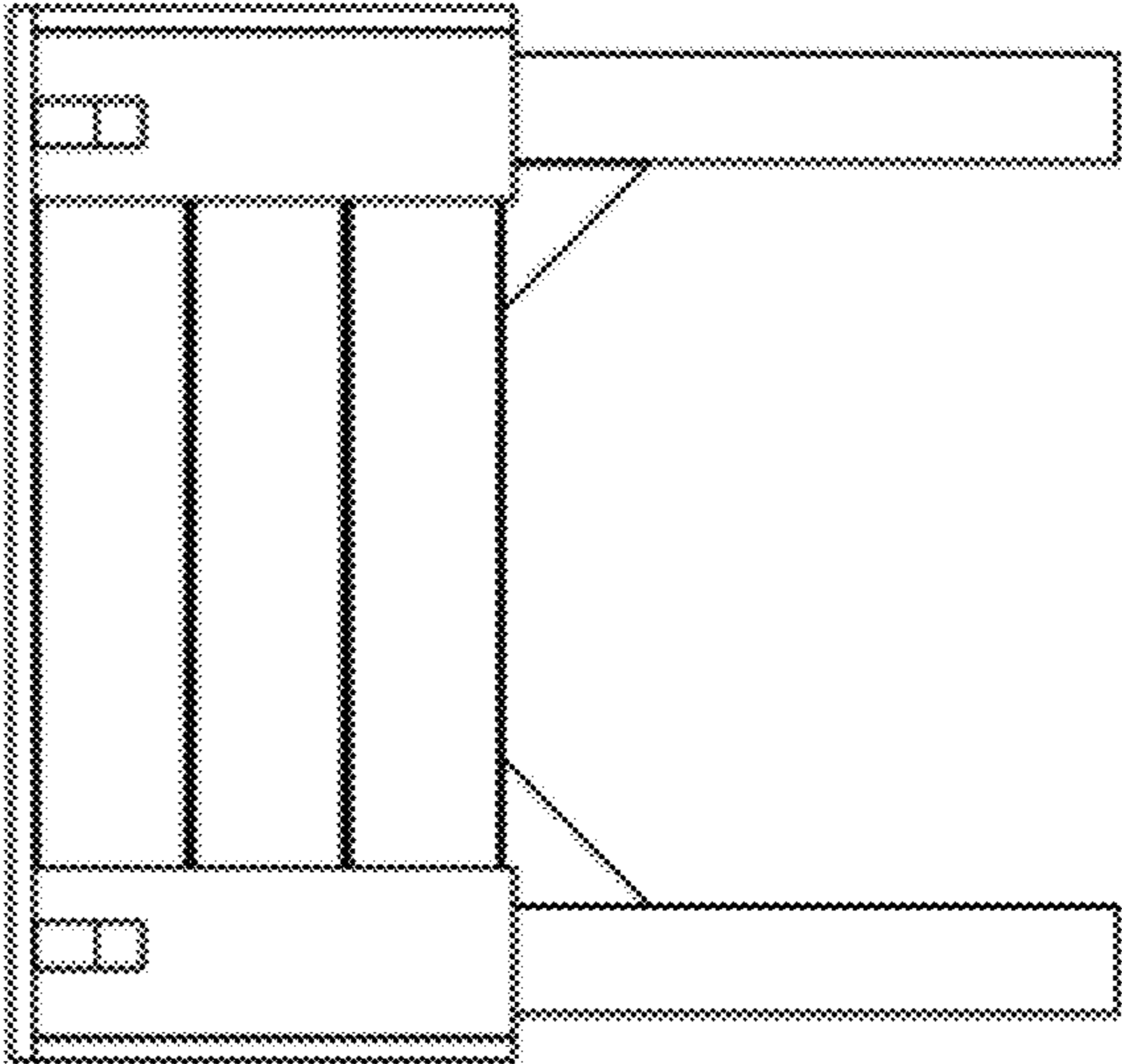


FIG. 4

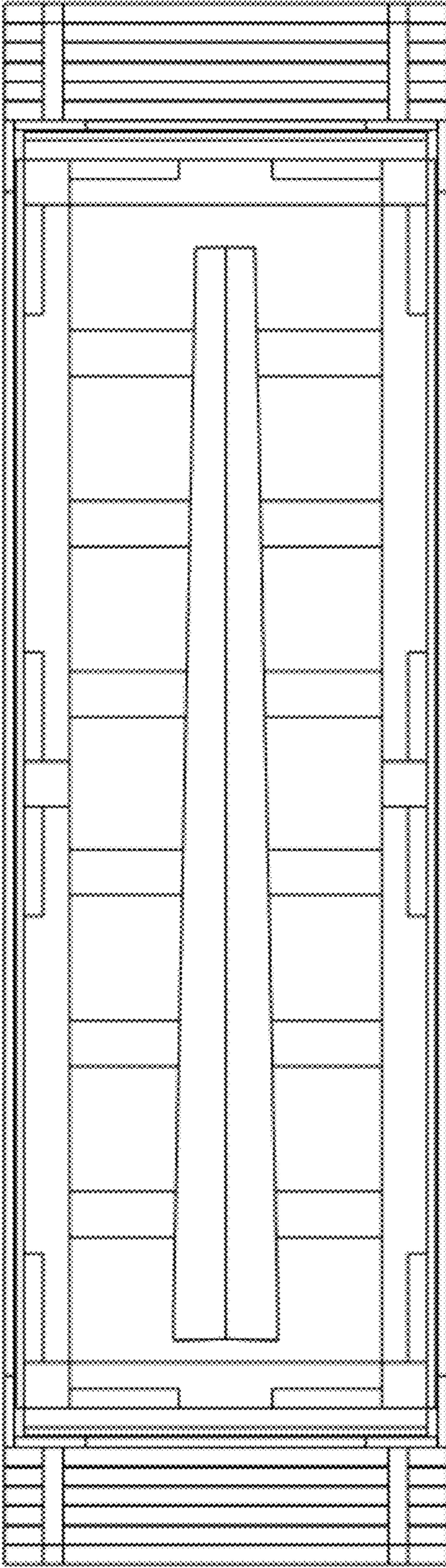
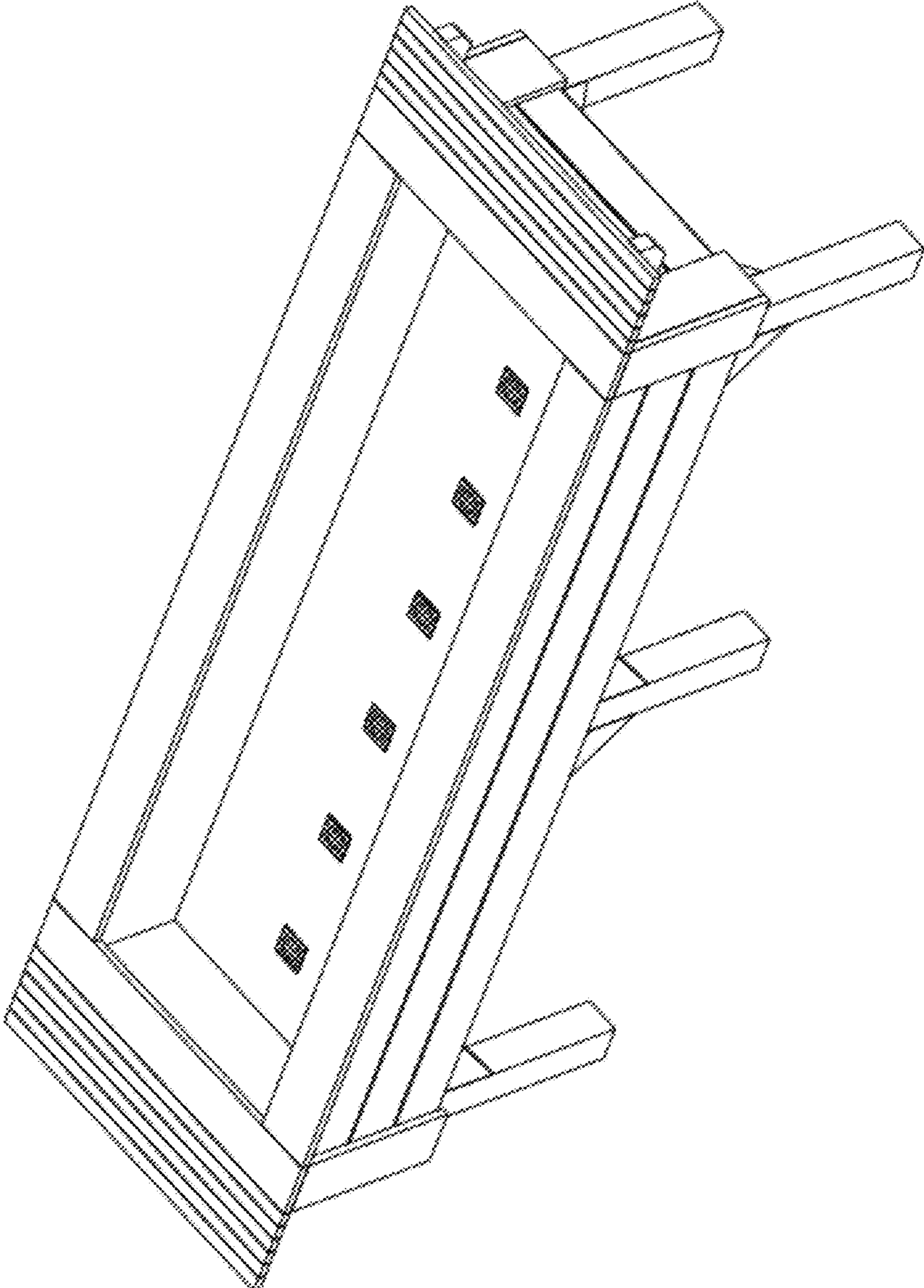


FIG. 5



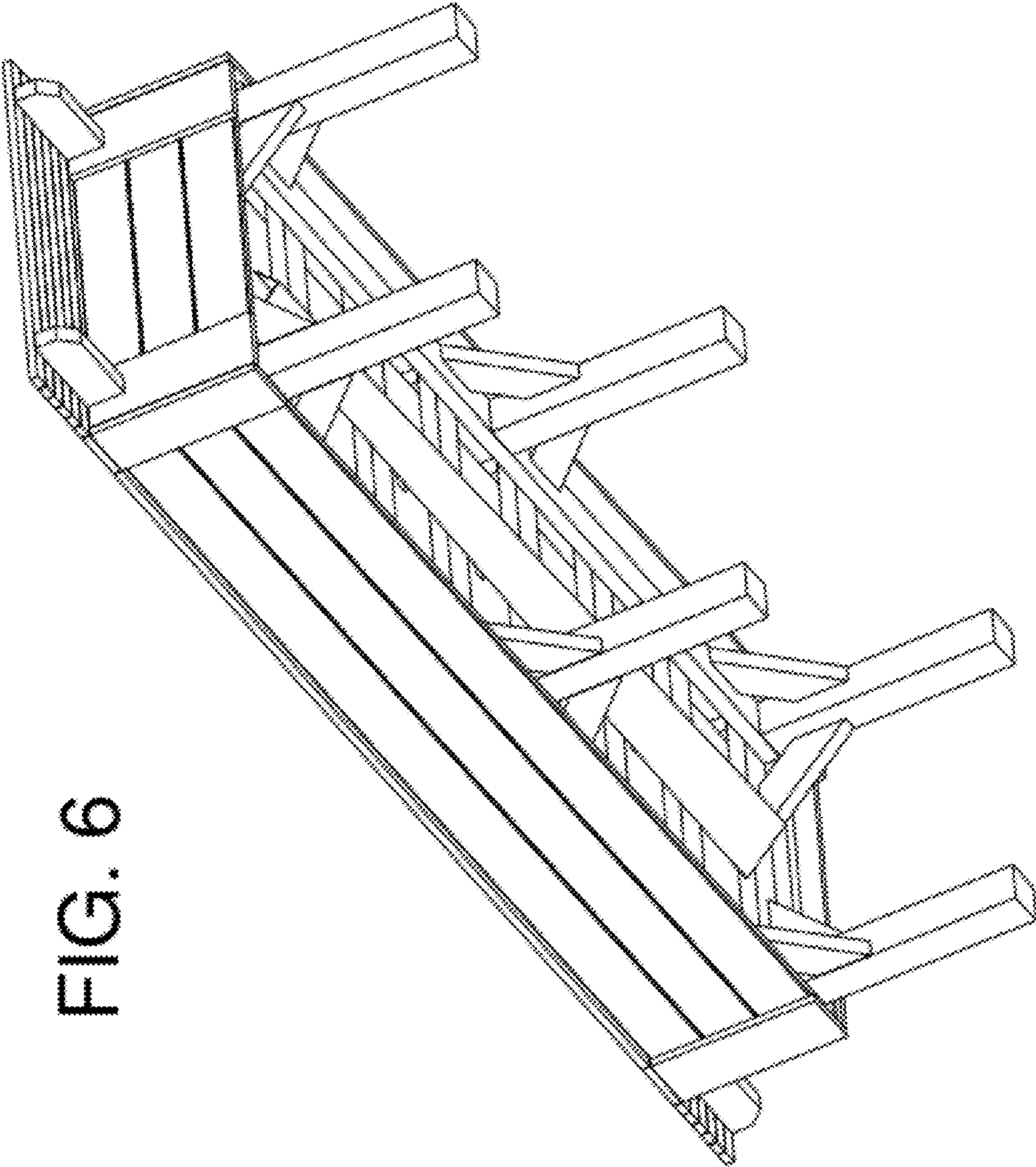


FIG. 6