



US00D676353S

(12) **United States Design Patent**
Bycraft

(10) **Patent No.:** **US D676,353 S**
(45) **Date of Patent:** **** Feb. 19, 2013**

- (54) **CHRISTMAS TREE STAND**
 - (75) Inventor: **Robert W. Bycraft**, Granger, IN (US)
 - (73) Assignee: **Jack-Post Corporation**, Buchanan, MI (US)
 - (**) Term: **14 Years**
 - (21) Appl. No.: **29/430,877**
 - (22) Filed: **Aug. 30, 2012**
 - (51) **LOC (9) Cl.** **06-99**
 - (52) **U.S. Cl.** **D11/130.1**
 - (58) **Field of Classification Search** D11/130, D11/130.1, 143, 144, 152, 153; 428/7, 8, 428/9, 12, 15, 19, 20; 248/519, 523–526; 47/40.5, 42, 43, 41.01, 41.1, 41.11, 41.12, 47/41.13, 41.14, 41.15
- See application file for complete search history.

3,610,558 A	10/1971	Tawara	248/44
3,648,957 A	3/1972	Bencriscutto	248/45
3,655,156 A	4/1972	Petrie	248/47
3,661,349 A	5/1972	De Vries	248/46
3,682,421 A	8/1972	Spiegel	248/48
3,731,895 A	5/1973	Petrie	248/48
3,733,040 A	5/1973	Rocquin	248/48
3,784,136 A	1/1974	Lopez	248/44
3,801,053 A	4/1974	Laute	248/44
3,815,854 A	6/1974	Zipser	248/47
D232,791 S	9/1974	Schulz	D6/99
3,838,838 A *	10/1974	Seaman, Jr.	248/537
3,861,629 A	1/1975	Merrill	248/44
3,888,438 A	6/1975	Mizelle	248/48
3,901,469 A	8/1975	Davis et al.	248/46
3,966,153 A	6/1976	Fleck	248/512

(Continued)

OTHER PUBLICATIONS

K-Mart Christmas Tree Stands by Lakewood Engineering—catalog page (1 page) (date of publication is at least as early as Jan. 12, 1999).

(Continued)

(56) **References Cited**

U.S. PATENT DOCUMENTS

1,091,000 A	3/1914	Lyman	
1,110,142 A	9/1914	Piner	47/40.5
1,240,376 A	9/1917	Saucier	
1,401,144 A	12/1921	Dicks	
1,575,488 A	3/1926	Jakobey	
1,644,807 A	10/1927	Zeigler	
D161,404 S *	1/1951	Abel et al.	D11/130.1
D165,928 S	2/1952	Parucki et al.	D35/3
D166,892 S	3/1952	Vigna	D35/3
2,605,067 A	7/1952	Lindsell	248/45
D168,379 S *	12/1952	Scanland	D11/130.1
D172,007 S *	4/1954	Cousland	D11/130.1
2,681,780 A	6/1954	Santoro	248/45
D174,421 S *	4/1955	Clifford	D11/130.1
D177,698 S *	5/1956	Scanland	D11/130.1
2,815,908 A	12/1957	Scanland	248/48
2,821,353 A	1/1958	Hasenohrl	248/44
2,905,414 A	9/1959	Zierden	248/44
2,933,274 A	4/1960	Mausolf	248/44
D189,100 S	10/1960	Berning	D35/3
3,026,075 A	3/1962	Phelon et al.	47/40.5
3,051,423 A	8/1962	Wagner et al.	248/45
D198,634 S	7/1964	Newman	D11/130.1
3,307,813 A	3/1967	Pleiss	248/44

Primary Examiner — Elizabeth J Oswecki
(74) *Attorney, Agent, or Firm* — Nixon Peabody LLP

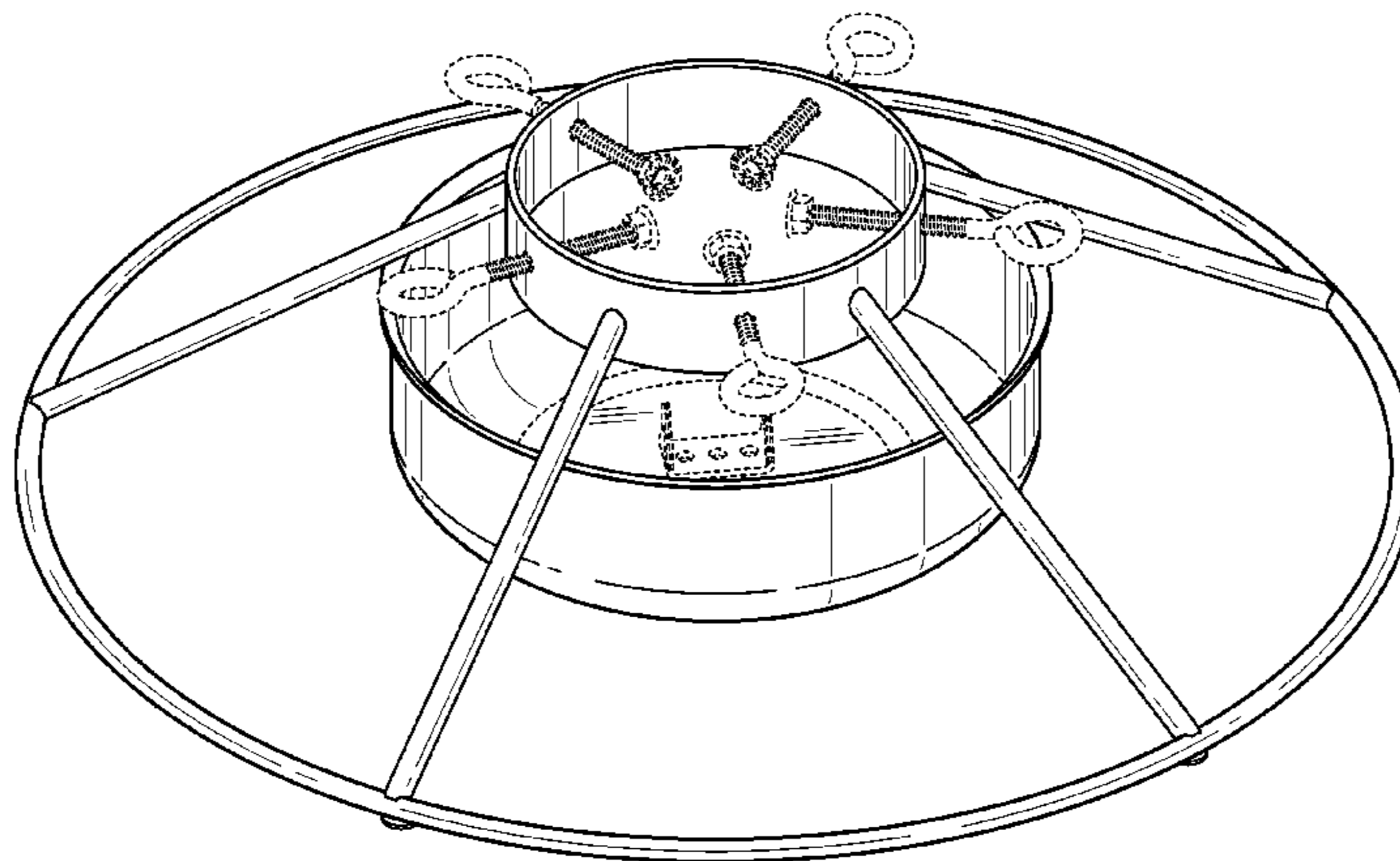
(57) **CLAIM**

The ornamental design for Christmas tree stand, as shown and described.

DESCRIPTION

FIG. 1 is a perspective view of a tree stand showing my new design;
 FIG. 2 is a first side view of the tree stand in FIG. 1;
 FIG. 3 is a second side view of the tree stand in FIG. 1, which is opposite to the first side view of FIG. 2;
 FIG. 4 is a third side view of the tree stand in FIG. 1, which is adjacent to the first side view of FIG. 2.
 FIG. 5 is a fourth side view of the tree stand in FIG. 1, which is opposite to the third side view of FIG. 4.
 FIG. 6 is a top plan view of the tree stand in FIG. 1; and,
 FIG. 7 is a bottom plan view of the tree stand in FIG. 1.
 The portions of the drawings shown in broken lines represent environmental structure and form no part of the claimed design.

1 Claim, 5 Drawing Sheets



US D676,353 S

U.S. PATENT DOCUMENTS

D242,647 S	12/1976	Van Horn	D48/2	D329,209 S	9/1992	De Carlo	D11/130.1
4,006,560 A	2/1977	Schulz	47/40.5	D330,346 S	10/1992	Bryand	D11/130.1
4,007,901 A	2/1977	Mancini et al.	248/526	D330,875 S	11/1992	Boucher	D11/130.1
D247,014 S	1/1978	Chulick	D6/105	5,160,110 A	11/1992	Pracgitzer	248/523
4,076,205 A	2/1978	Almér et al.	248/524	5,161,768 A	11/1992	Sarabin	248/525
4,126,963 A	11/1978	Dunbar	47/40.5	D332,439 S	1/1993	Talley	D12/157
4,156,323 A	5/1979	Schefer	47/40.5	D332,582 S	1/1993	Quinn	D11/130.1
4,159,096 A	6/1979	Chase	248/523	D335,189 S	4/1993	Saeva et al.	D25/62
4,190,983 A	3/1980	Rostomily	47/40.5	D335,540 S	5/1993	Elliott	D25/64
4,222,545 A	9/1980	Patton et al.	248/524	5,209,450 A	5/1993	Grapes	249/523
4,254,478 A	3/1981	Dumas	367/2	D339,549 S	9/1993	Hermanson	D11/130.1
D258,780 S	4/1981	Wasserman	D6/105	5,256,461 A	10/1993	Johnson	428/55
4,286,409 A	9/1981	Taylor et al.	47/40.5	D342,463 S	12/1993	Brooks	D11/130.1
4,310,989 A	1/1982	Shannon, Jr.	47/40.5	D342,694 S	12/1993	Frost	D11/130.1
D264,281 S	5/1982	Okruszynski	D6/105	D343,593 S	1/1994	Lawrence et al.	D11/130.1
D264,282 S	5/1982	Blavat	D6/105	D344,250 S	2/1994	Johnson et al.	D11/130.1
D268,460 S	4/1983	Ives	D6/105	D344,911 S	3/1994	Stork	D11/130.1
4,381,621 A	5/1983	Eby	47/40.5	5,290,004 A	3/1994	Frost et al.	248/528
D269,392 S	6/1983	Breen	D6/105	D345,943 S	4/1994	Lujan, Jr.	D11/130.1
D269,571 S	7/1983	Greshwind	D6/105	D345,944 S	4/1994	Starzak	D11/130.1
4,399,973 A	8/1983	Spry et al.	248/524	D345,945 S	4/1994	Starzak	D11/130.1
D270,474 S	9/1983	Haines et al.	D25/62	5,299,381 A	4/1994	Oldenburg, Jr.	47/40.5
D270,951 S	10/1983	Cryar	D25/62	5,301,462 A	4/1994	Hronyetz	47/40.5
4,408,415 A	10/1983	Davis et al.	47/40.5	D347,599 S	6/1994	Johnson et al.	D11/130.1
4,429,846 A	2/1984	Halvorson	248/524	D347,803 S	6/1994	Starzak	D11/130.1
4,436,272 A	3/1984	Lile et al.	248/527	D347,804 S	6/1994	Starzak	D11/130.1
4,477,049 A	10/1984	Davis	248/524	5,318,267 A	6/1994	Rast	248/523
4,496,129 A	1/1985	Waterman et al.	248/527	5,320,323 A	6/1994	Clark, Jr.	248/523
D278,891 S	5/1985	Levin	D11/130.1	D349,259 S	8/1994	Adam	D11/130.1
4,520,935 A	6/1985	Churchill	211/124	5,333,828 A	8/1994	Severeid	248/519
D279,887 S	7/1985	Sumpter	D11/130.1	5,337,990 A	8/1994	Brown	248/526
4,541,601 A	9/1985	Corbisello	248/516	D350,934 S	9/1994	Talley	D12/406
4,565,028 A	1/1986	Stephan	47/39	D350,935 S	9/1994	Stach	D12/408
4,569,151 A	2/1986	Hoffbeck	47/40.5	5,350,149 A	9/1994	Evans, Jr. et al.	248/523
4,571,881 A	2/1986	Lathim	47/40.5	D351,570 S	10/1994	Fillip	D11/130.1
4,581,277 A	4/1986	Neale	428/181	D352,014 S	11/1994	O'Leary	D11/130.1
4,585,201 A	4/1986	Pursell	248/523	5,362,024 A	11/1994	Grinnen	248/524
4,601,399 A	7/1986	Brenteson	211/60.1	D353,788 S	12/1994	Frost et al.	D11/130.1
D287,476 S	12/1986	Craft et al.	D11/130.1	5,369,910 A	12/1994	Copenhaver	47/40.5
D290,099 S	6/1987	Anderson	D11/130.1	5,375,807 A	12/1994	Claas	248/514
4,699,347 A	10/1987	Kuhnley	248/516	D354,021 S	1/1995	Kielbasa	D11/130.1
4,750,702 A	6/1988	Neil et al.	248/523	D354,143 S	1/1995	Floyd, Jr.	D25/62
D297,520 S	9/1988	Thomas	D11/130.1	D354,930 S *	1/1995	Rush et al.	D11/130.1
D299,217 S	1/1989	Schoenborn	D11/130.1	5,388,799 A	2/1995	Keefe	248/519
4,796,017 A	1/1989	Merenda	340/620	5,393,031 A	2/1995	Leve	248/516
4,825,586 A	5/1989	Coppedge	47/40.5	5,398,444 A	3/1995	Murray	47/40.5
4,834,335 A	5/1989	Attar	248/526	5,410,838 A	5/1995	O'Leary et al.	47/40.5
4,884,363 A	12/1989	Sofy	47/40.5	D359,133 S	6/1995	Dull et al.	D25/62
4,889,309 A	12/1989	McCure	248/524	D359,462 S	6/1995	Manuel	D11/130.1
4,901,971 A	2/1990	Connelly	248/523	5,425,199 A	6/1995	Sofy	47/40.5
D306,487 S	3/1990	Fowler, Jr.	D25/62	5,439,196 A	8/1995	Widman	248/524
D306,984 S	4/1990	Pany	D11/130.1	D364,831 S	12/1995	Fillip	D11/130.1
4,913,395 A	4/1990	Juhas	248/516	5,478,042 A	12/1995	Bliss et al.	248/523
D307,729 S	5/1990	Zonni	D11/130.1	5,484,131 A	1/1996	Aldrete et al.	248/527
D308,028 S	5/1990	Moriarty	D11/130.1	D367,122 S	2/1996	Foster	D25/62
4,936,538 A	6/1990	Royce	248/524	5,490,350 A	2/1996	Eisenschenk et al.	47/40.5
D310,499 S	9/1990	Grzebyk	D11/130.1	5,492,301 A	2/1996	Hauser	248/516
D310,500 S	9/1990	Matousek	D11/130.1	D368,674 S	4/1996	Avinger	D11/130.1
4,967,508 A	11/1990	Reynolds	47/40.5	5,507,117 A	4/1996	Kalman et al.	47/40.5
4,976,411 A	12/1990	Gordon et al.	248/524	D370,185 S	5/1996	Grimm et al.	D11/130.1
4,989,820 A	2/1991	Sterling	248/523	5,522,177 A	6/1996	Davis	47/40.5
4,993,176 A	2/1991	Spinosa	40/40.5	5,522,179 A	6/1996	Hollis	47/40.5
D315,469 S	3/1991	Elliott	D6/607	5,527,011 A	6/1996	Wiggins et al.	248/523
5,000,414 A	3/1991	Rosato	248/524	D372,885 S	8/1996	Ludwig	D11/130.1
5,009,028 A	4/1991	Lorenzana et al.	47/40.5	D372,986 S	8/1996	Oerther	D25/62
D316,780 S	5/1991	Chilcutt et al.	D3/38	D373,427 S	9/1996	Russom	D25/62
D318,634 S	7/1991	Tobin	D11/130.1	5,551,659 A	9/1996	Sofy	248/523
D320,176 S	9/1991	Miller	D11/130.1	D374,195 S *	10/1996	Wright et al.	D11/130.1
D321,670 S	11/1991	Buonito et al.	D11/130.1	D375,026 S	10/1996	Ronald	D8/1
D321,839 S	11/1991	Rosato	D11/130.1	5,575,110 A	11/1996	Couture	47/40.5
D326,243 S	5/1992	Franci	D11/130.1	5,577,701 A	11/1996	Plzak	248/524
5,111,611 A	5/1992	Elder	47/40.5	5,580,026 A	12/1996	Newcomer	248/523
5,114,113 A	5/1992	Krinner	248/525	5,590,865 A	1/1997	Odom, Jr.	248/524
5,118,067 A	6/1992	Gillanders	248/527	5,605,315 A	2/1997	Hartung et al.	248/523
5,121,897 A	6/1992	Sofy	248/527	D381,598 S	7/1997	Roberts et al.	D11/130.1
D328,042 S	7/1992	Lai	D11/130.1	5,647,569 A	7/1997	Sofy	248/522
5,137,246 A	8/1992	Idso	248/523	D381,930 S	8/1997	Faller	D11/130.1
D329,208 S	9/1992	Bowling et al.	D11/130.1	D382,227 S	8/1997	Adams et al.	D11/130.1
				5,673,893 A	10/1997	Klein	248/525

US D676,353 S

Page 3

D389,777 S 1/1998 Altieri D11/130.1
5,707,037 A 1/1998 Pastrick 248/516
5,725,193 A 3/1998 Adams 248/523
5,732,926 A 3/1998 Baumgartner 248/524
5,738,329 A 4/1998 Woodard 248/523
5,743,508 A 4/1998 Fiveash 248/527
5,762,311 A 6/1998 Triglia 248/523
D396,303 S 7/1998 Odom et al. D25/64
D396,391 S 7/1998 Rein et al. D8/14
5,779,215 A 7/1998 DeMasi 248/523
D396,824 S 8/1998 Bolster D11/130.1
D397,061 S 8/1998 Wright D11/130.1
5,791,626 A 8/1998 Reese 248/523
5,797,579 A 8/1998 Krinner 248/523
D399,166 S 10/1998 Wright D11/130.1
5,842,676 A 12/1998 Plzak 248/523
D403,980 S 1/1999 Conway et al. D11/130.1
D418,082 S * 12/1999 Baumann et al. D11/130.1
D418,083 S 12/1999 Wilson, Jr. D11/130.1
D442,883 S 5/2001 Finch D11/130.1

D451,839 S 12/2001 Pomeroy et al. D11/130.1
D456,737 S * 5/2002 Roychowdhury D11/130.1
D480,014 S 9/2003 Goerke D11/130.1
D497,832 S 11/2004 Glover D11/130.1
D543,895 S 6/2007 Bolster D11/130.1
D572,167 S * 7/2008 Boucher D11/130.1
D575,188 S 8/2008 Bycraft D11/130.1
D667,336 S * 9/2012 Tsai et al. D11/130.1

OTHER PUBLICATIONS

Gunnard Company—advertisement pages (2 pages) (date of publication is at least as early as Jan. 12, 1999).

Tree Stand Tray by Lakewood Engineering—advertisement pages (2 pages) (date of publication is at least as early as Jan. 12, 1999).

Christmas Tree Stands by Lakewood Engineering—catalog pages (8 pages) (date of publication is at least as early as Jan. 12, 1999).

* cited by examiner

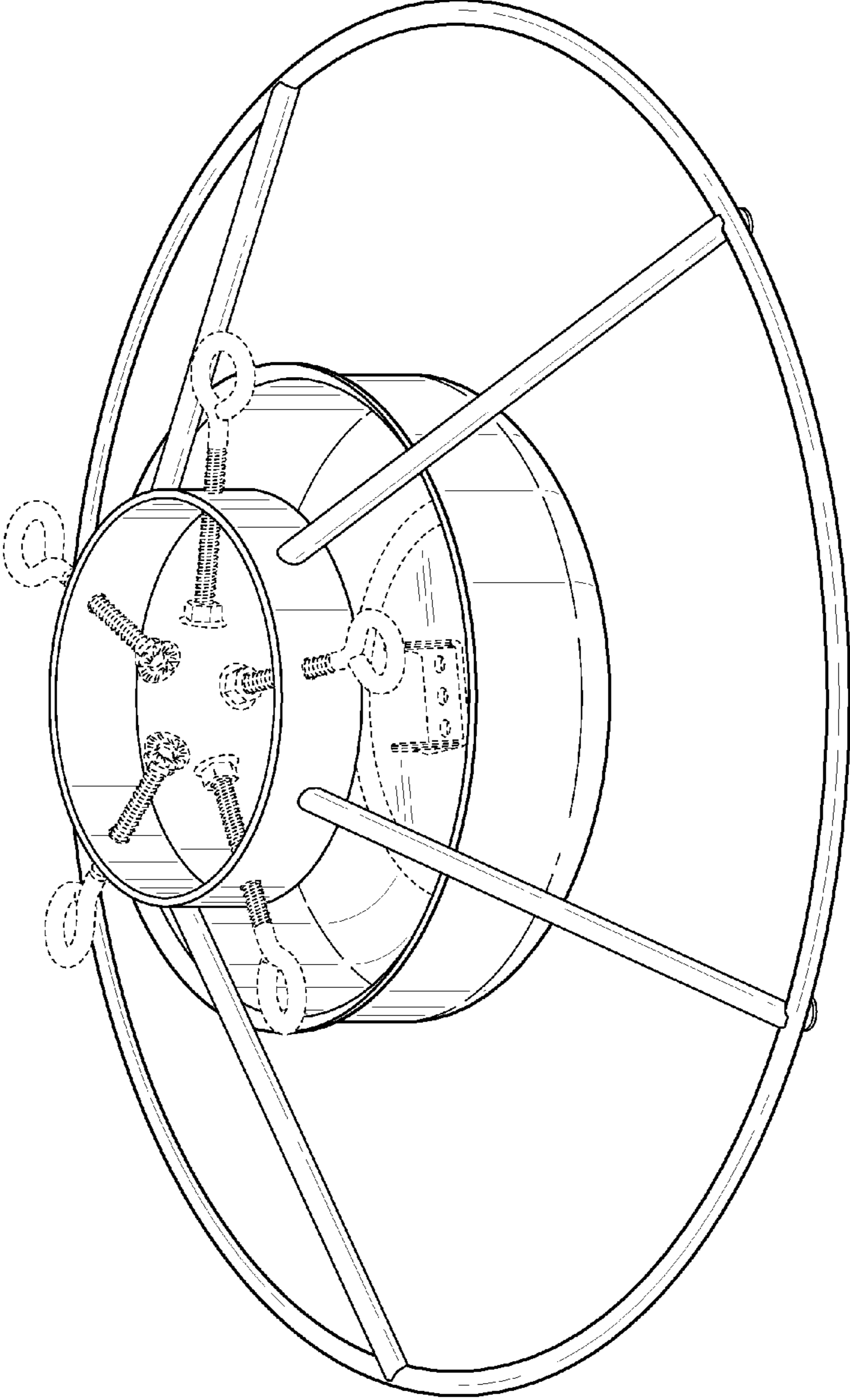


FIG. 1

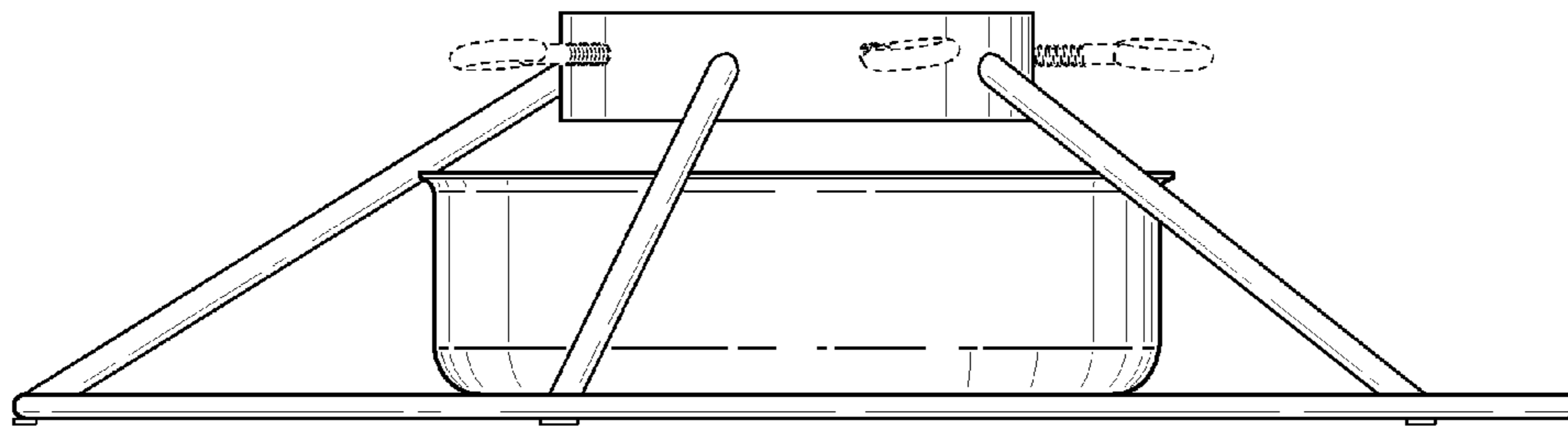


FIG. 2

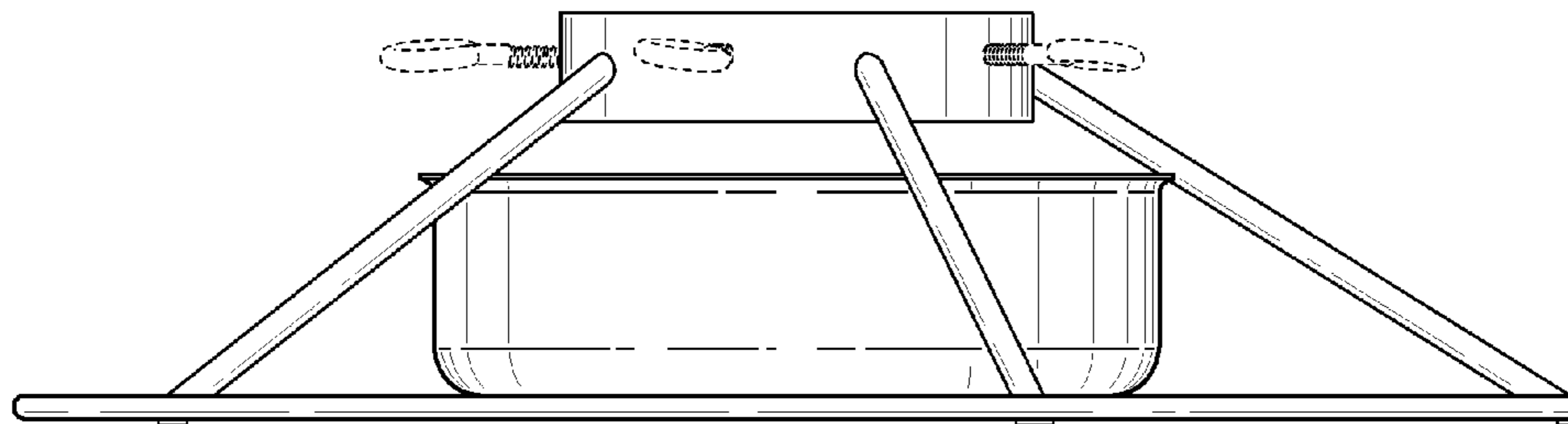


FIG. 3

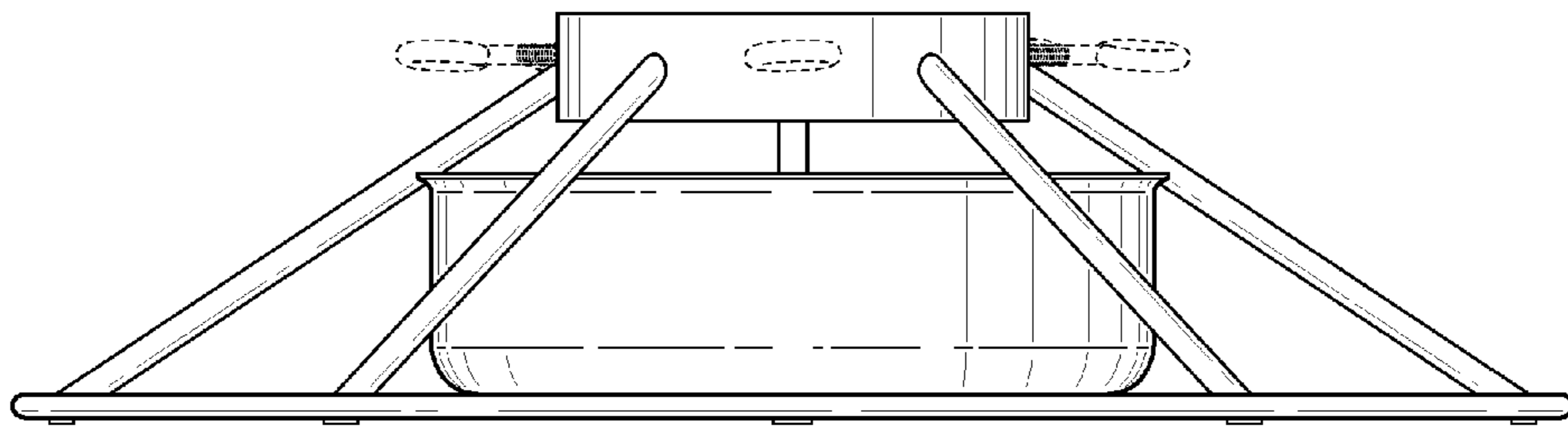


FIG. 4

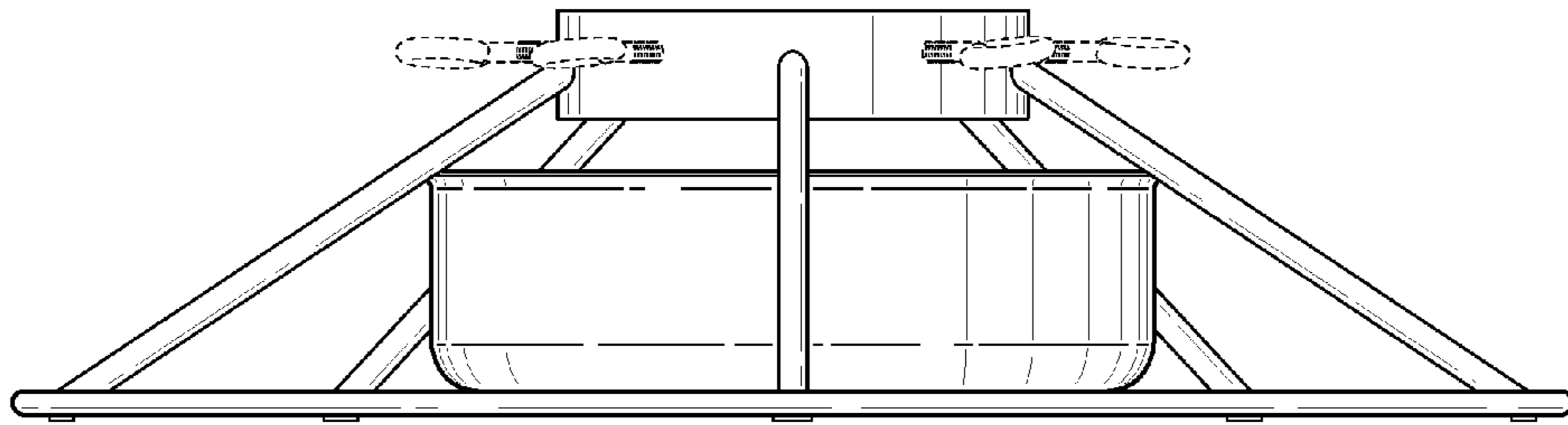


FIG. 5

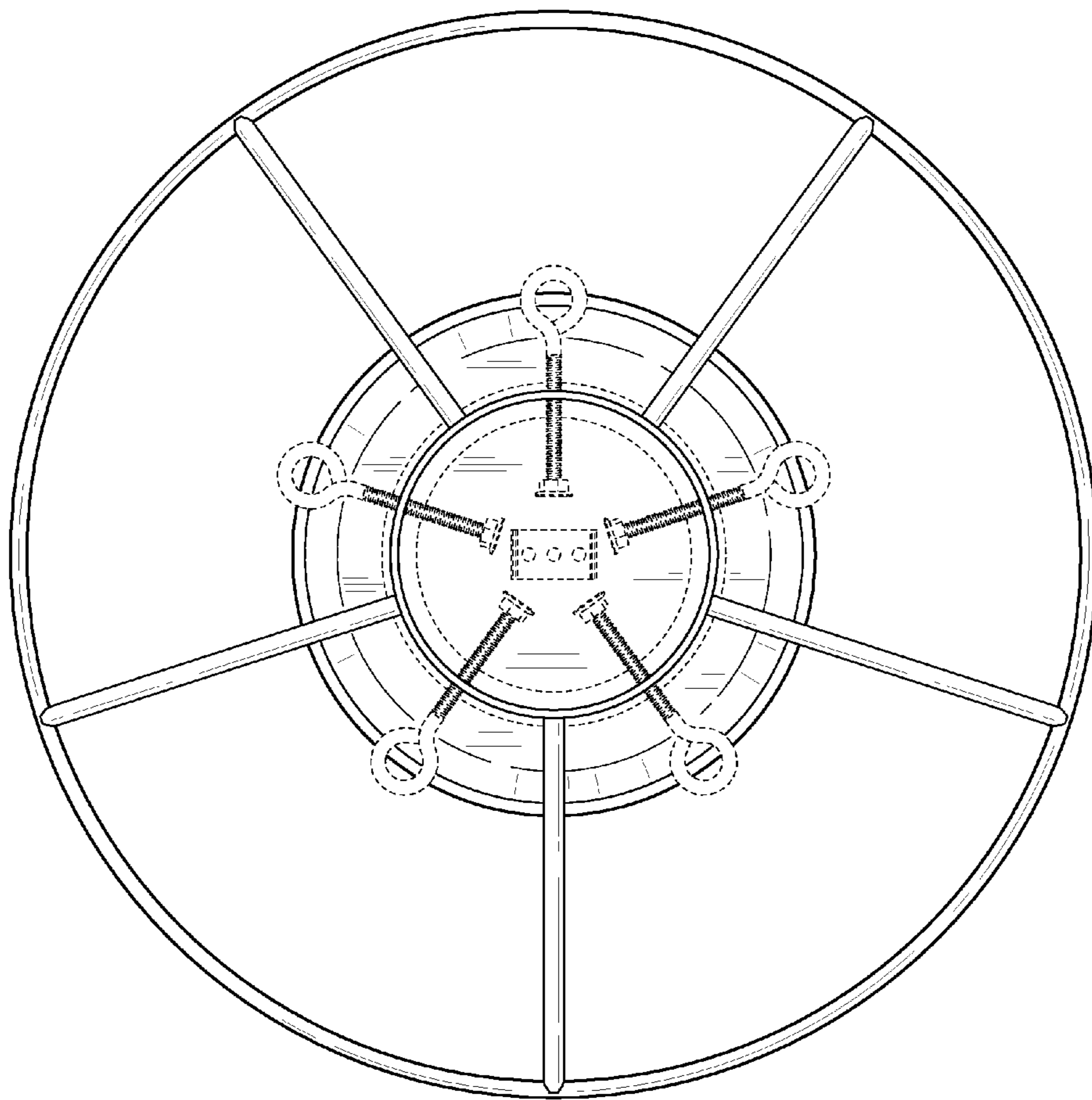


FIG. 6

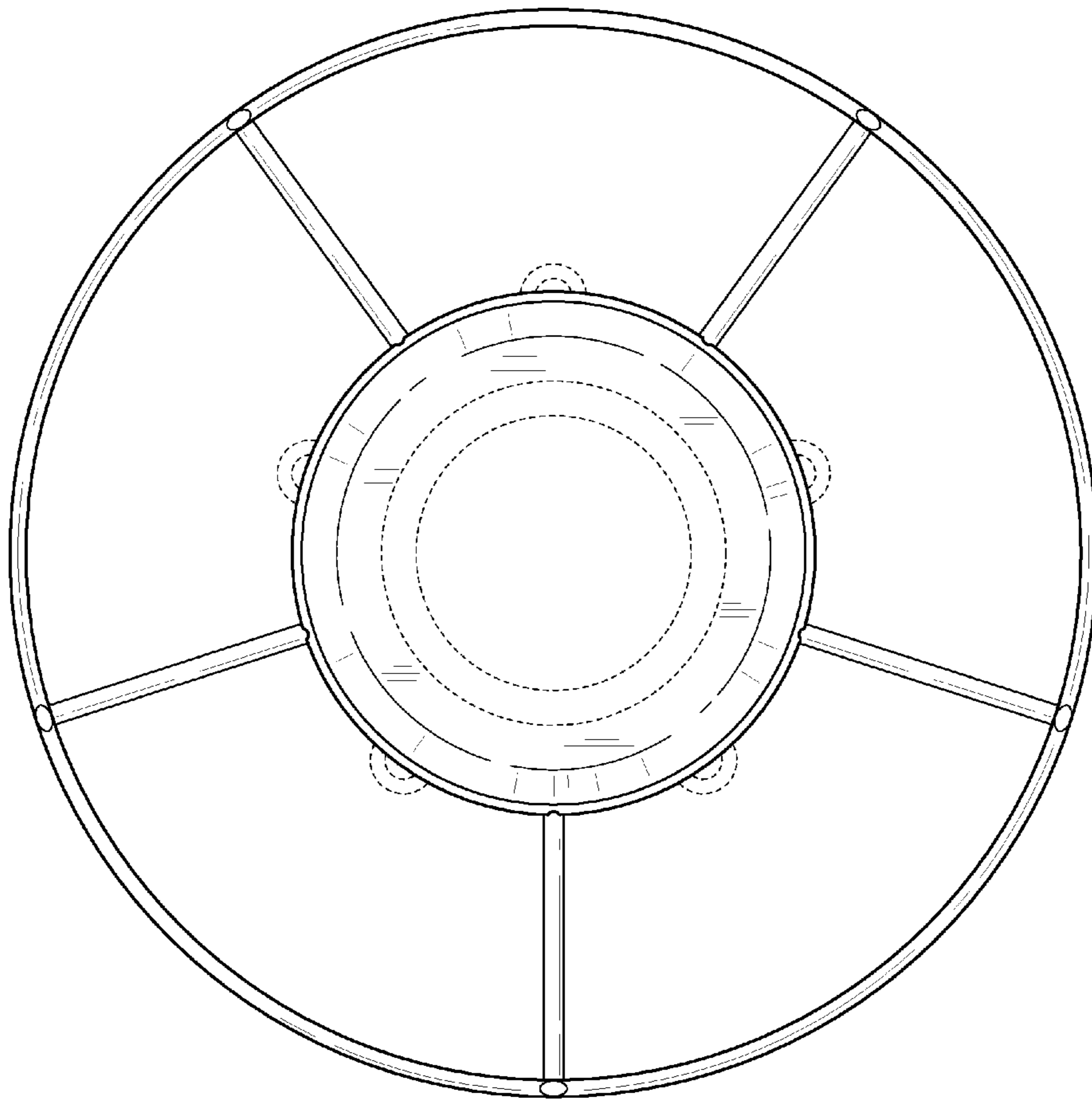


FIG. 7