



US00D676346S

(12) **United States Design Patent**
Birdwell

(10) **Patent No.:** **US D676,346 S**

(45) **Date of Patent:** **** Feb. 19, 2013**

(54) **AUDIO ENUNCIATOR HOUSING**

(75) Inventor: **Timothy Gale Birdwell**, Lafayette, TN
(US)

(73) Assignee: **Heathco, LLC**, Bowling Green, KY
(US)

(**) Term: **14 Years**

(21) Appl. No.: **29/357,236**

(22) Filed: **Mar. 9, 2010**

(51) **LOC (9) Cl.** **10-05**

(52) **U.S. Cl.** **D10/116.1**

(58) **Field of Classification Search** D10/104.1,
D10/118, 118.2, 106.2; 340/574, 693.12,
340/384.1, 384.3–384.7, 384.73

See application file for complete search history.

(56) **References Cited**

U.S. PATENT DOCUMENTS

4,181,924	A	1/1980	Thomas et al.	
D287,704	S	1/1987	Wheeler	
4,971,758	A	11/1990	Suzuki et al.	
D337,513	S	7/1993	Soloway et al.	
5,329,836	A	7/1994	Stannard	
5,537,716	A	7/1996	Komamura	
D382,502	S *	8/1997	Ryan	D10/118
5,764,131	A	6/1998	Twining et al.	
5,774,041	A	6/1998	Xydis et al.	
D410,404	S *	6/1999	Scheibe	D10/118
5,909,169	A *	6/1999	Lin	340/384.73
D439,186	S	3/2001	Kovens et al.	
6,750,760	B2	6/2004	Albritton et al.	
D512,422	S	12/2005	Sato et al.	
7,126,490	B2	10/2006	Cole, Sr. et al.	
D567,692	S *	4/2008	Meyers et al.	D10/118
D569,343	S	5/2008	Hung et al.	
D611,863	S *	3/2010	Kato	D10/106.2
D643,457	S	8/2011	DeLong	
7,990,281	B2	8/2011	Tylicki et al.	
2002/0126851	A1	9/2002	Lo et al.	
2003/0090369	A1	5/2003	Albritton et al.	
2005/0147271	A1	7/2005	Shain	
2006/0290477	A1	12/2006	Cole, Sr. et al.	
2007/0003099	A1	1/2007	Madni et al.	

2007/0279198	A1	12/2007	Chen et al.
2008/0112571	A1	5/2008	Bradicich et al.
2008/0221956	A1	9/2008	Bloch et al.
2011/0116676	A1	5/2011	Birdwell

OTHER PUBLICATIONS

Furnace Blower Door Safety Switch as shown on <http://www.ecrater.com/product.php?pid=2239870> printed on May 12, 2009, 1 page.

* cited by examiner

Primary Examiner — George D Kirschbaum

(74) *Attorney, Agent, or Firm* — Fitch Even Tabin & Flannery LLP

(57) **CLAIM**

I claim the ornamental design for an audio enunciator housing, as shown and described.

DESCRIPTION

FIG. 1 is a first perspective view showing a first embodiment of my new design comprising an audio enunciator housing; FIG. 2 is a second perspective view of the audio enunciator housing of FIG. 1, rotated clockwise ninety degrees; FIG. 3 is a left side elevational view of the audio enunciator housing of FIG. 1; FIG. 4 is a right side elevational view of the audio enunciator housing of FIG. 1; FIG. 5 is a back elevational view of the audio enunciator housing of FIG. 1; FIG. 6 is a front elevational view of the audio enunciator housing of FIG. 1; FIG. 7 is a top plan view of the audio enunciator housing of FIG. 1; FIG. 8 is a bottom plan view of the audio enunciator housing of FIG. 1; FIG. 9 is a first perspective view showing a second embodiment of my new design comprising an audio enunciator housing; FIG. 10 is a second perspective view of the audio enunciator housing of FIG. 9, rotated clockwise ninety degrees; FIG. 11 is a left side elevational view of the audio enunciator housing of FIG. 9;

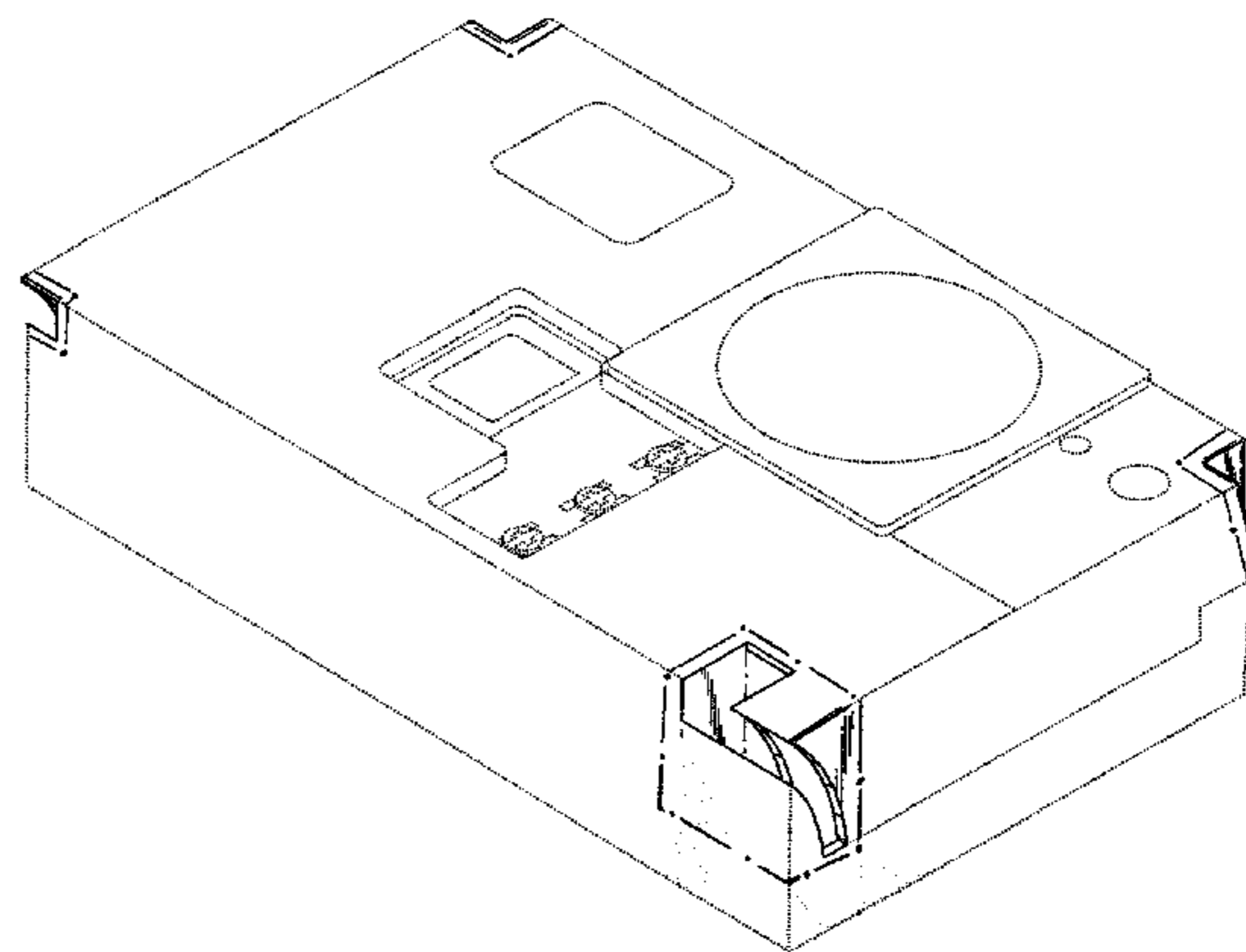
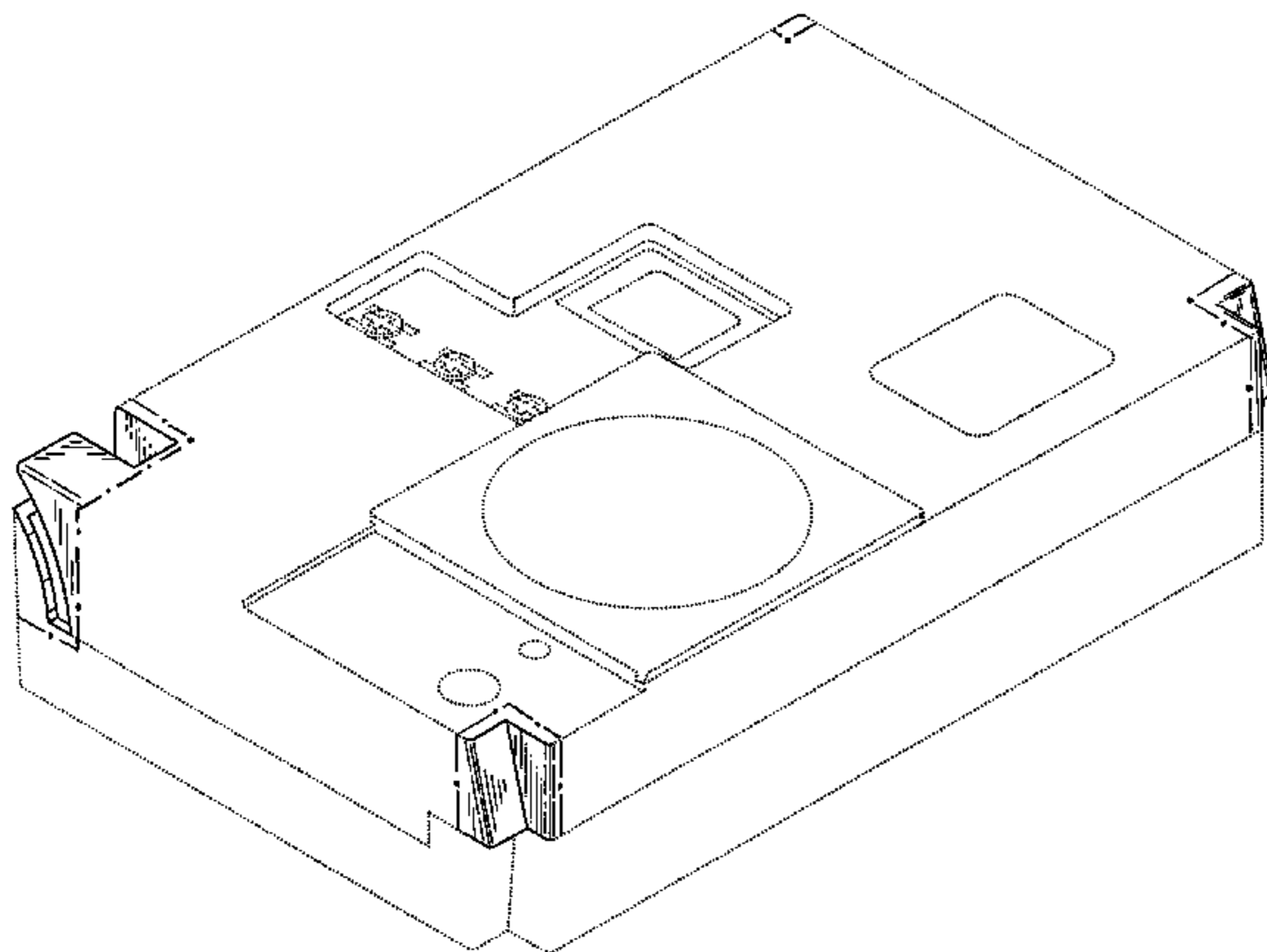


FIG. 12 is a right side elevational view of the audio enunciator housing of FIG. 9;

FIG. 13 is a back elevational view of the audio enunciator housing of FIG. 9;

FIG. 14 is a front elevational view of the audio enunciator housing of FIG. 9;

FIG. 15 is a top plan view of the audio enunciator housing of FIG. 9; and,

FIG. 16 is a bottom plan view of the audio enunciator housing of FIG. 9.

The broken line showing of portions of the audio enunciator housing is included for the purpose of illustrating portions of the "article" and forms no part of the claimed design. The dot-dash-dot lines form the boundaries of the claimed design.

1 Claim, 8 Drawing Sheets

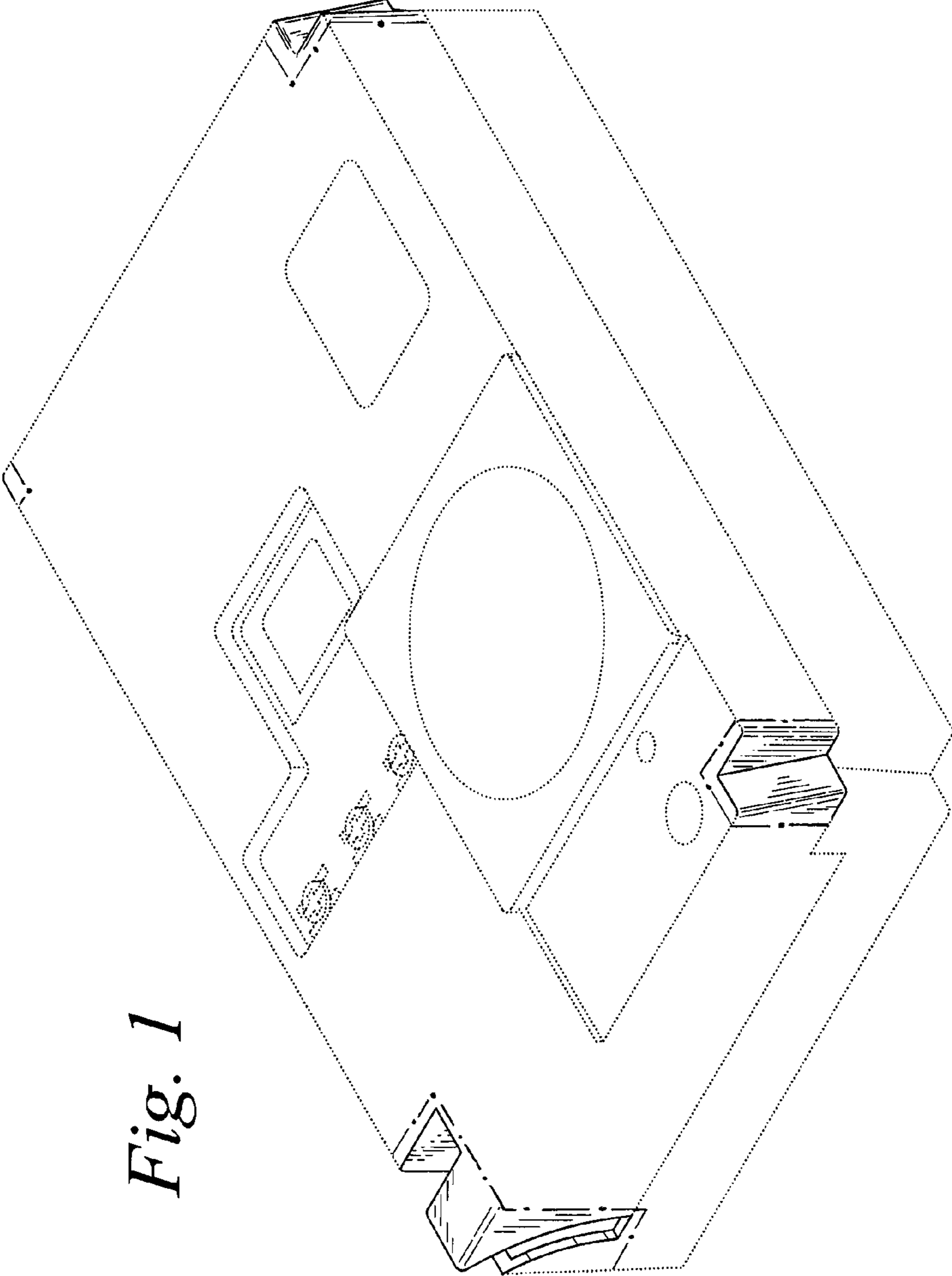


Fig. 1

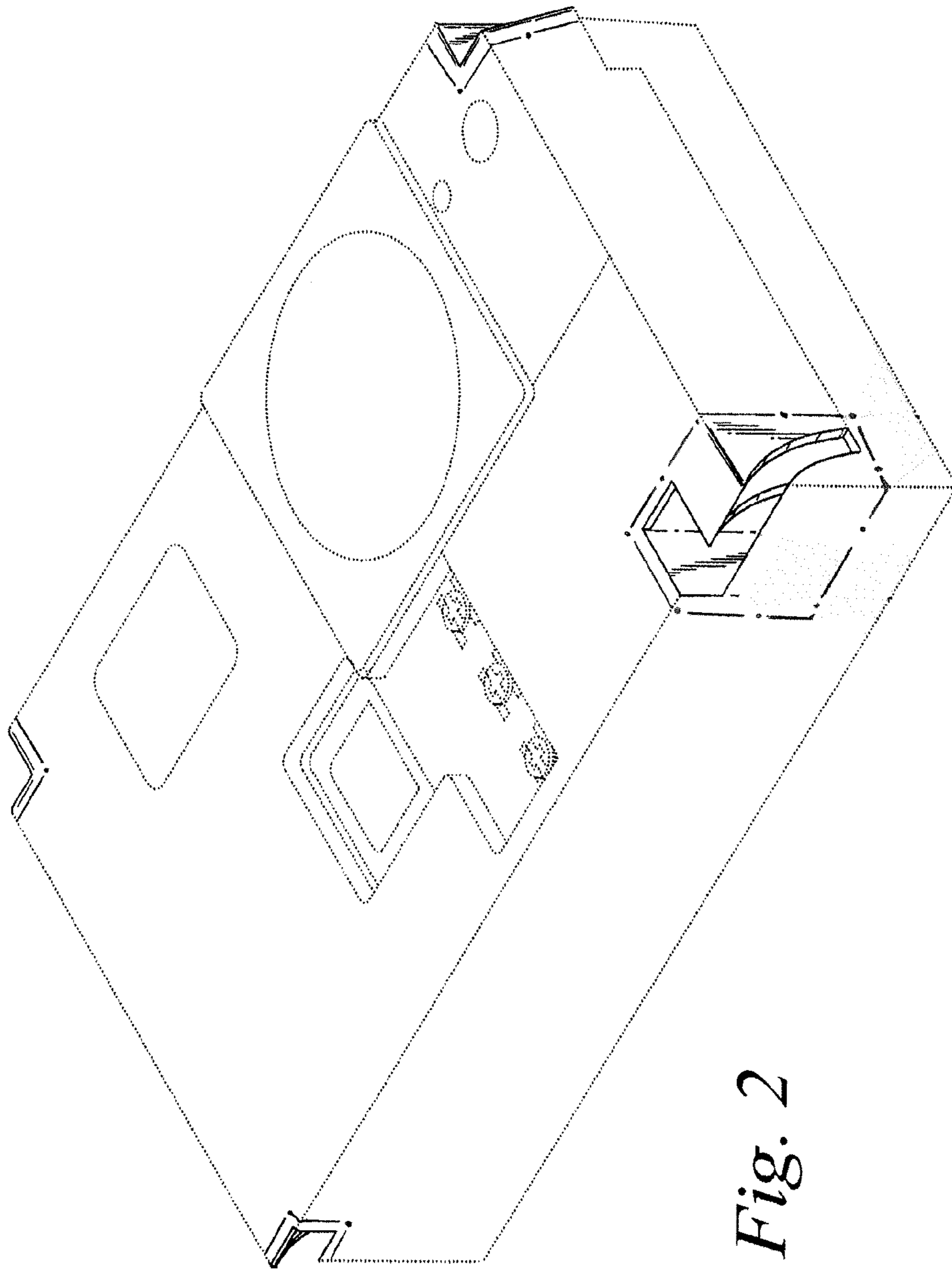


Fig. 2

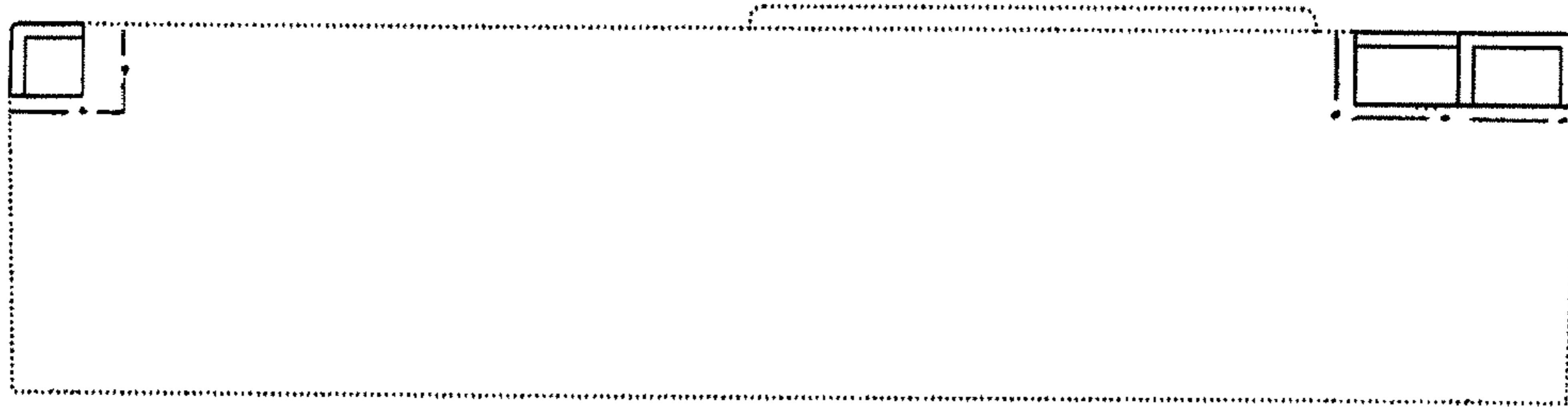


Fig. 3



Fig. 4

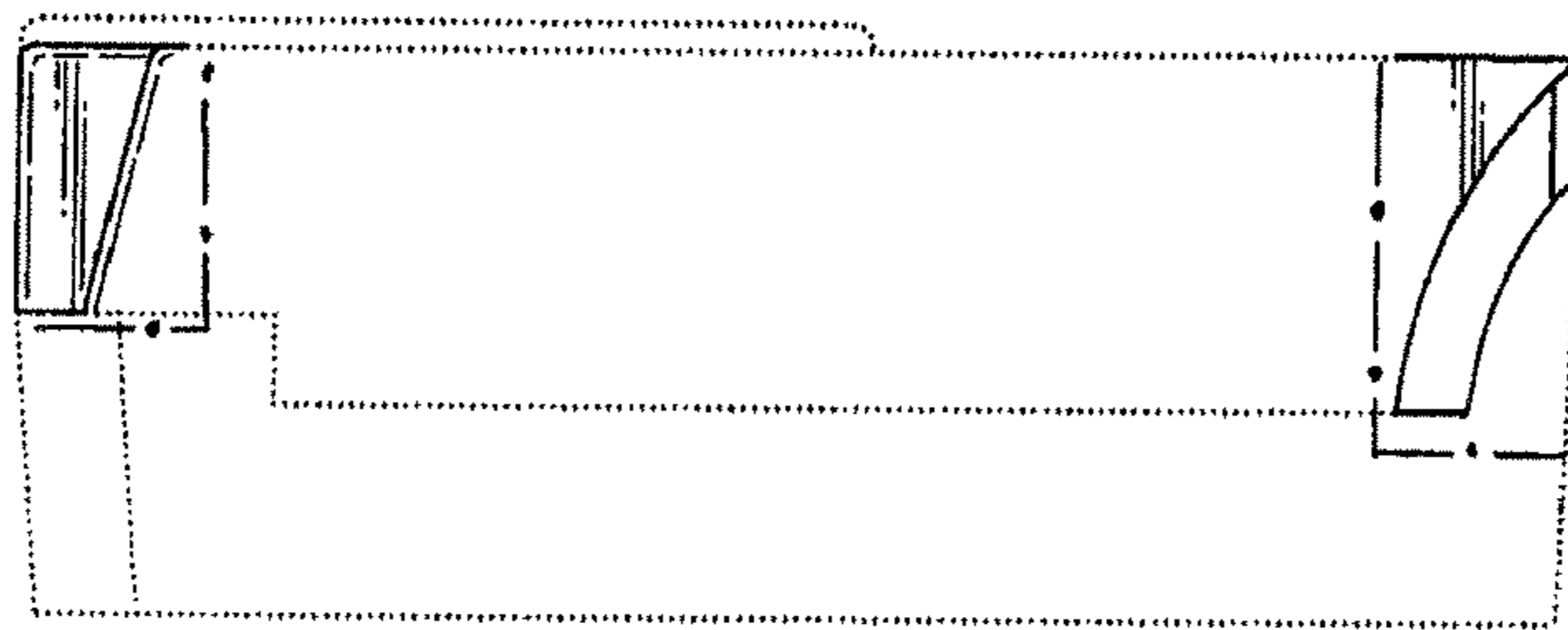


Fig. 5

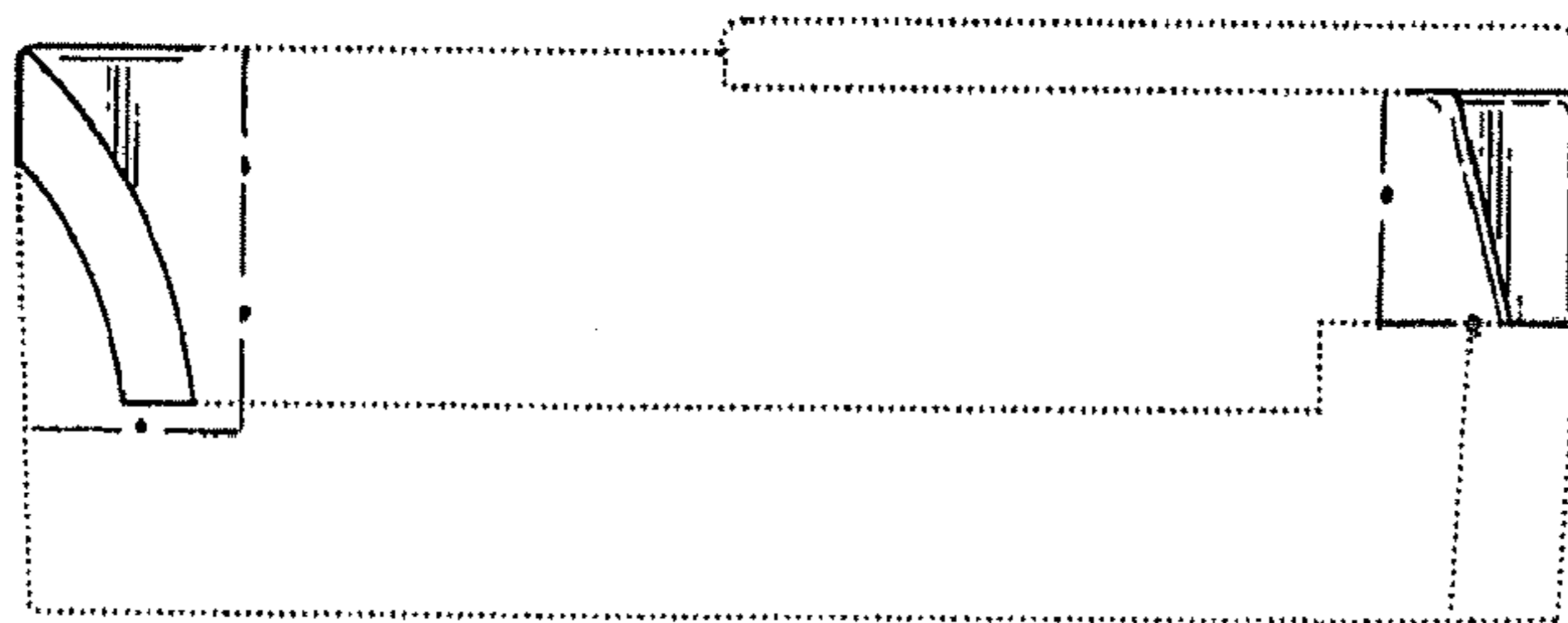


Fig. 6

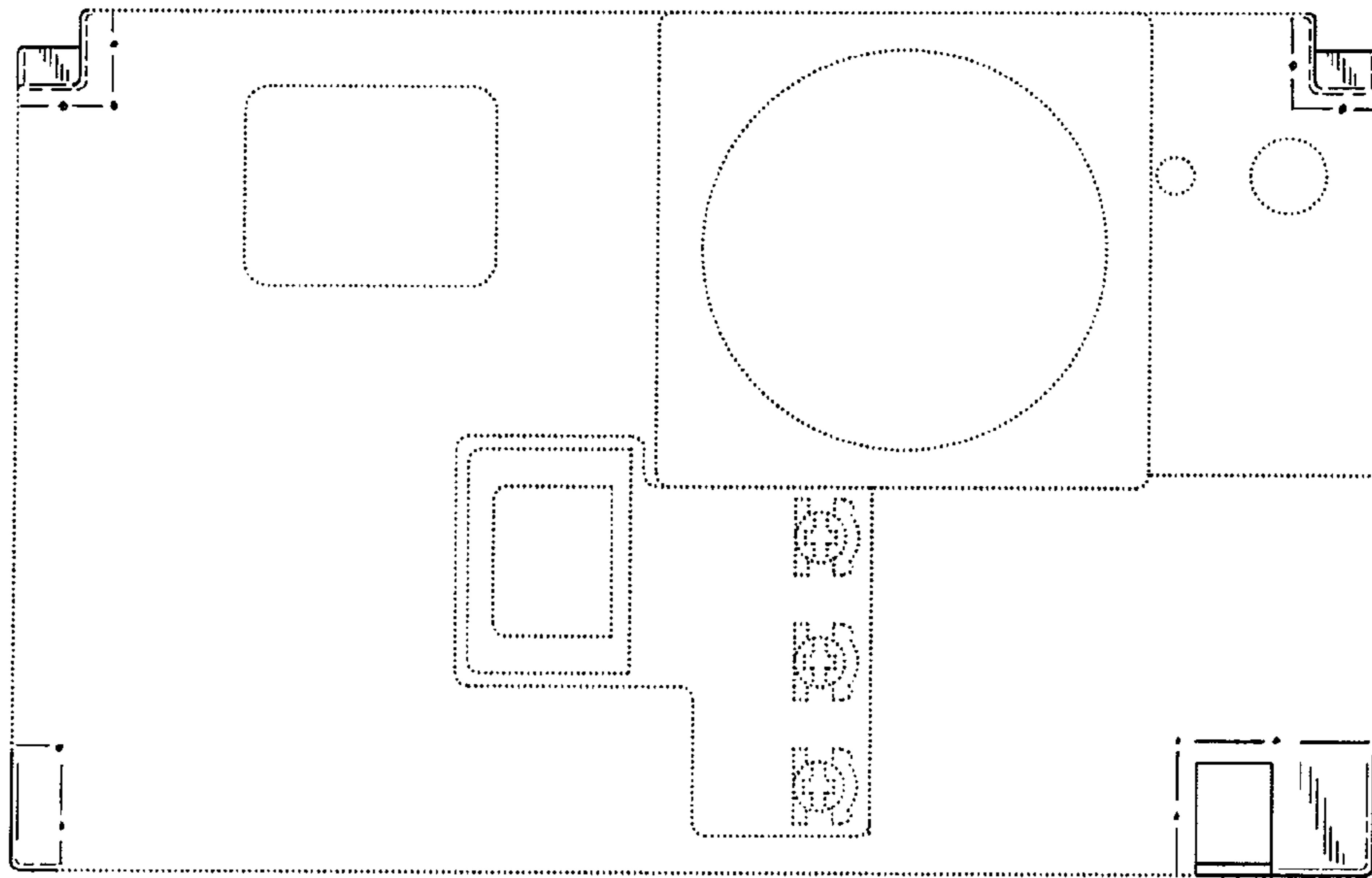


Fig. 7

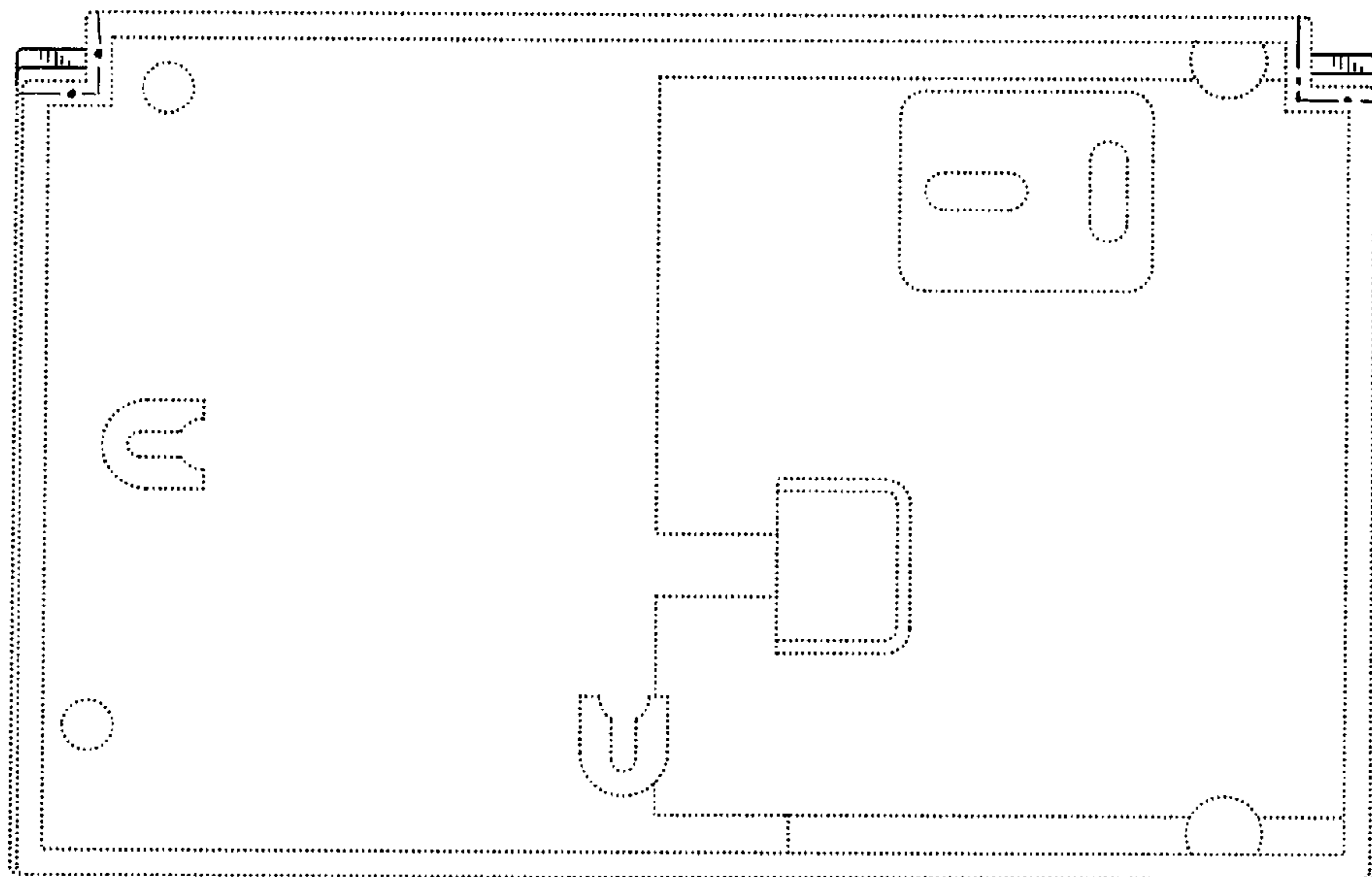


Fig. 8

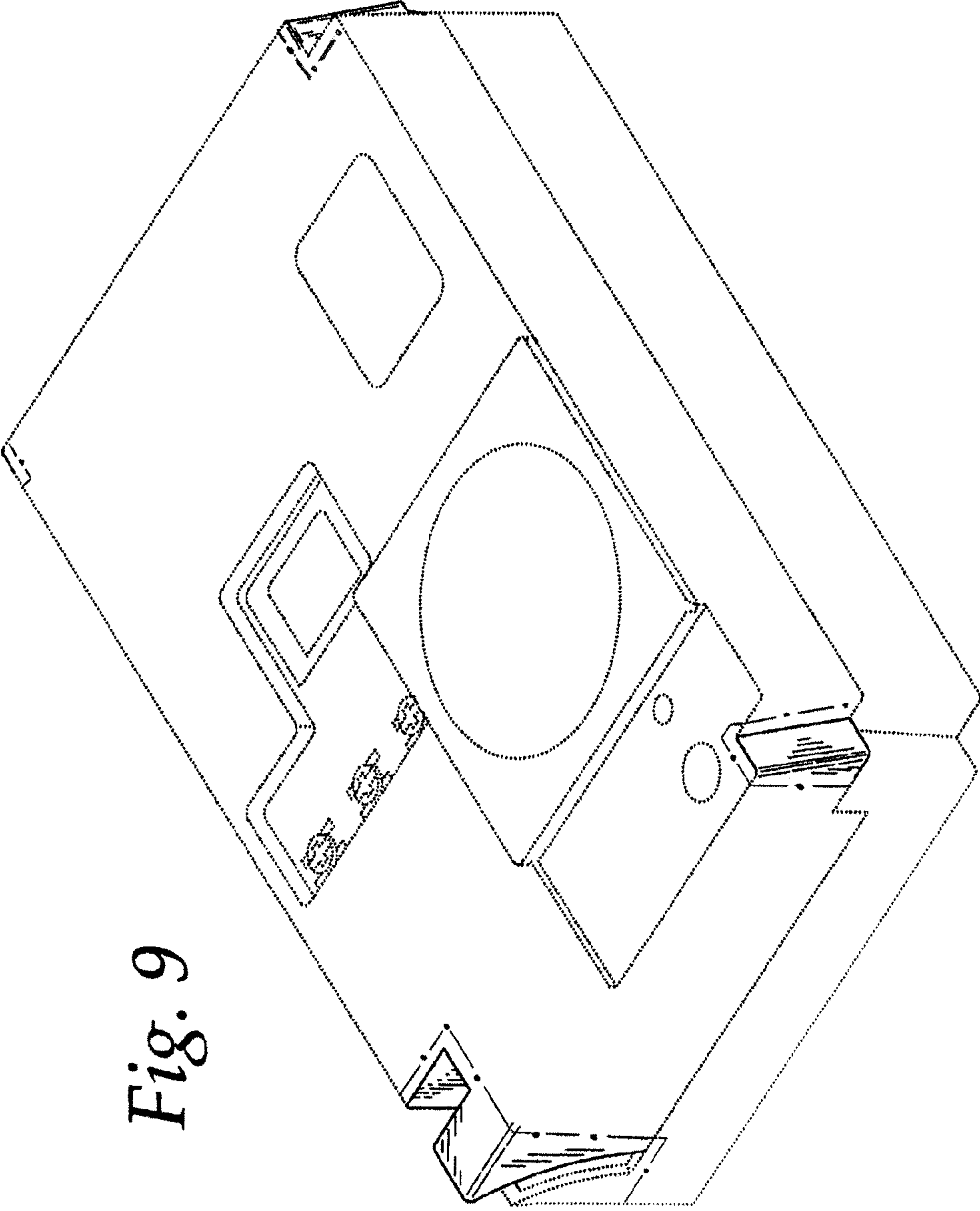


Fig. 9

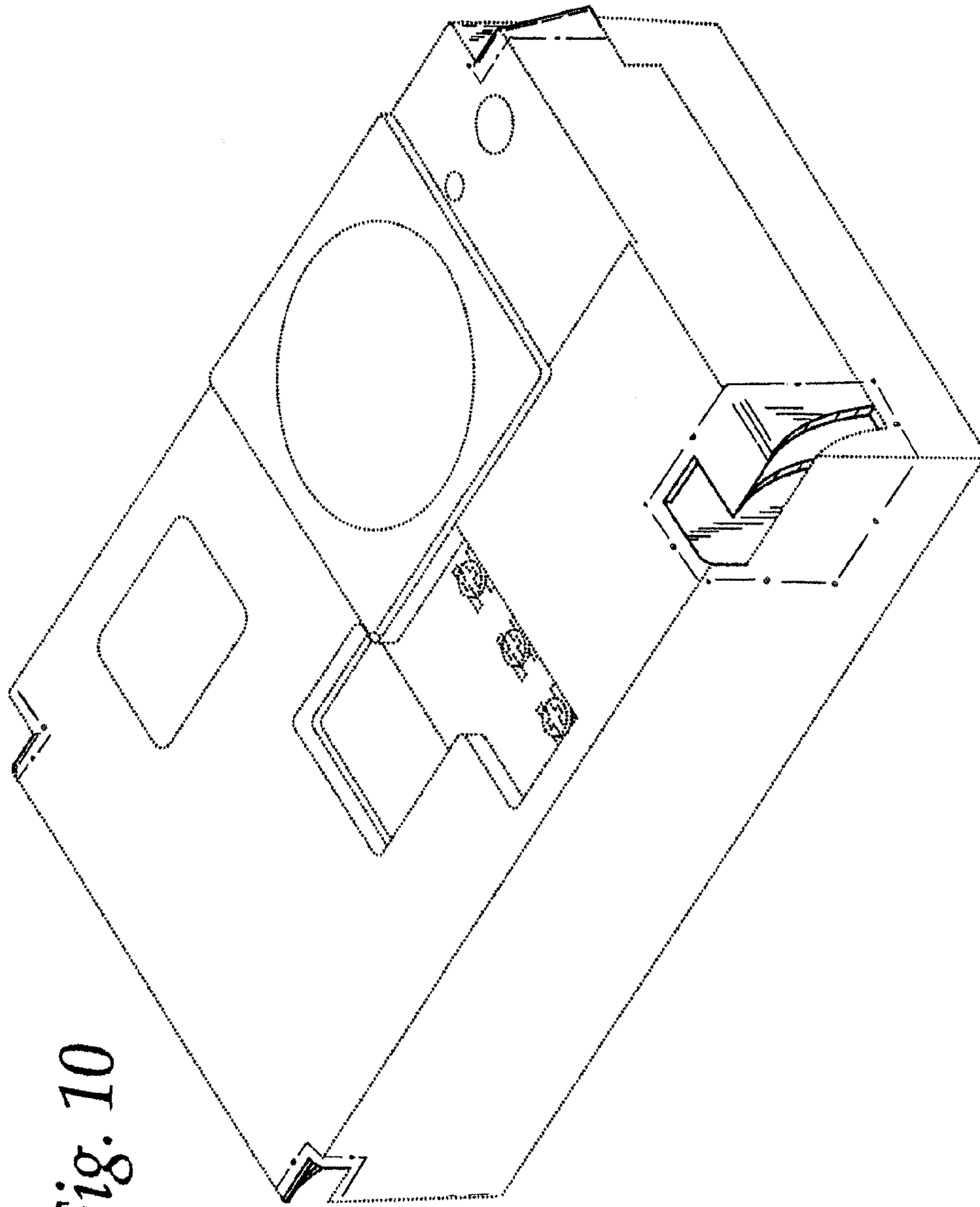


Fig. 10

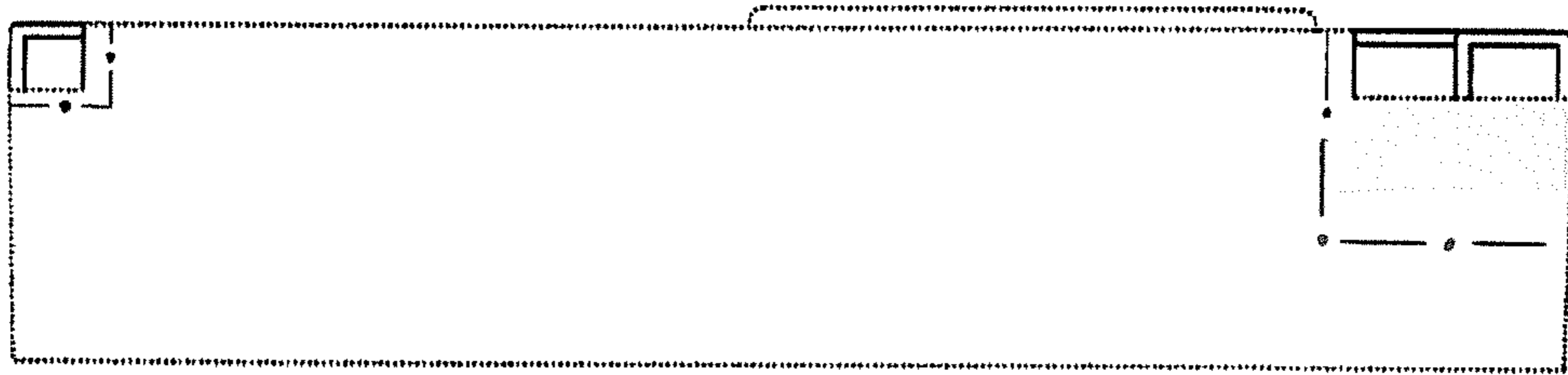


Fig. 11



Fig. 12

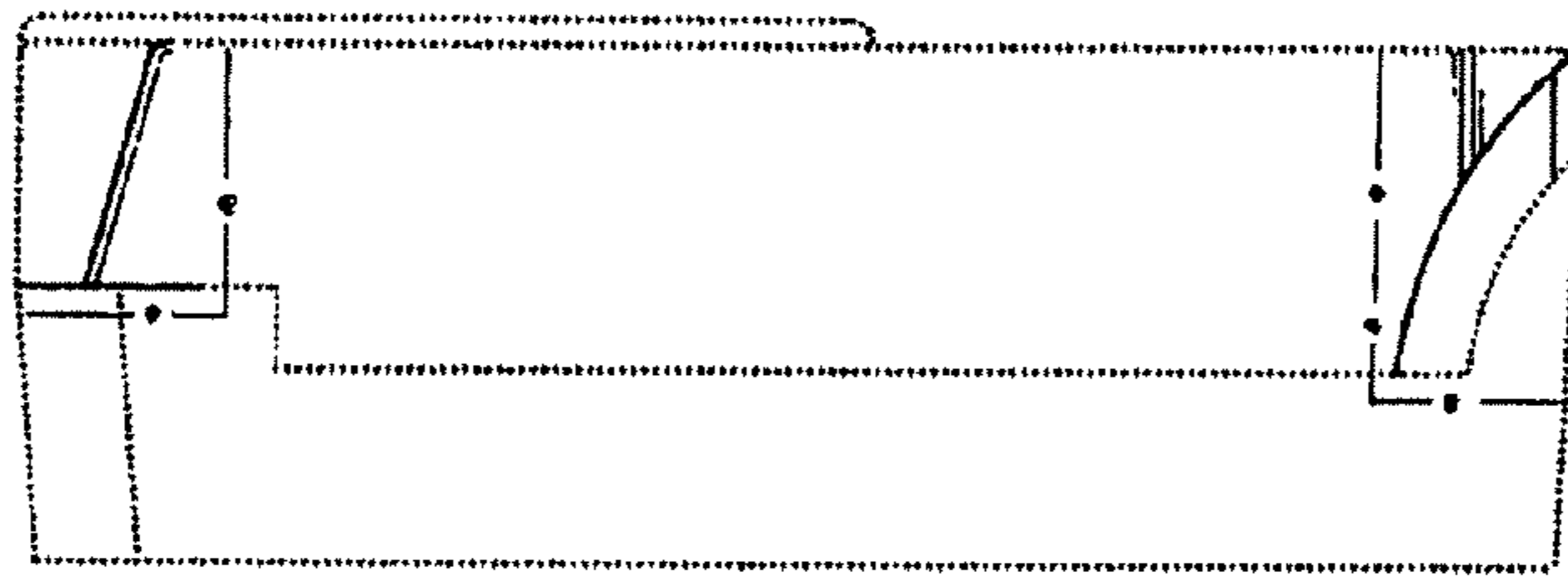


Fig. 13

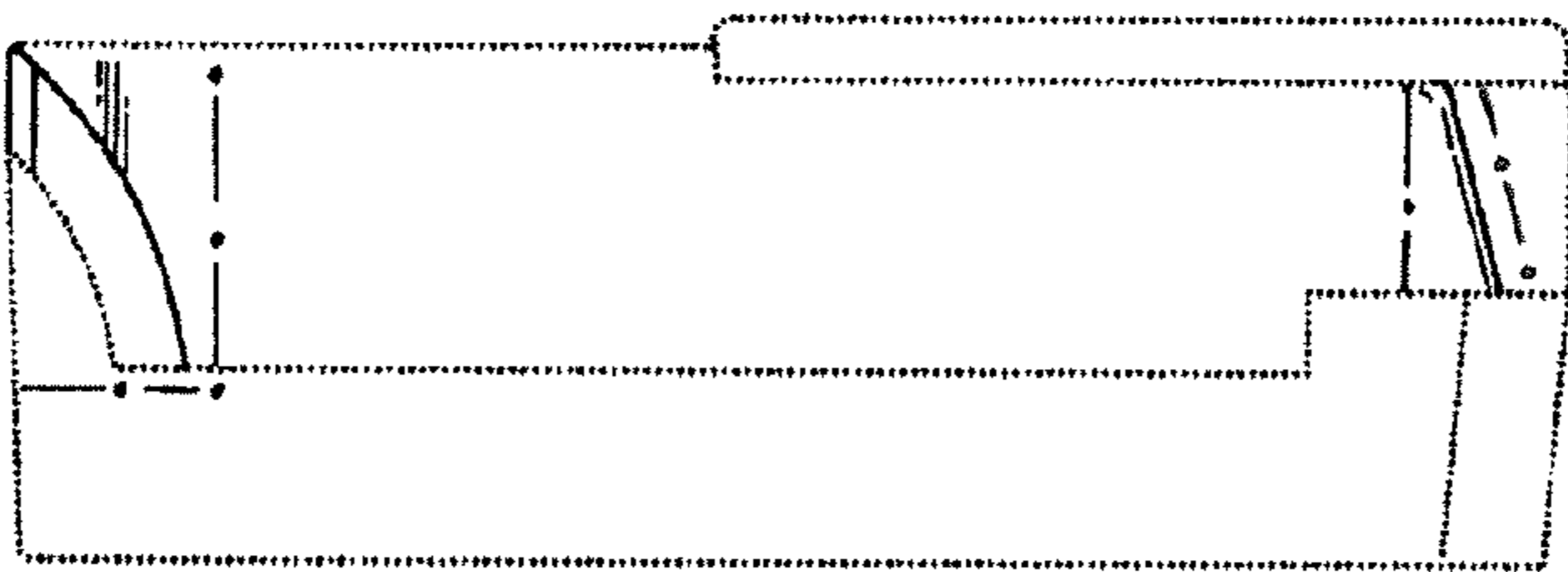


Fig. 14

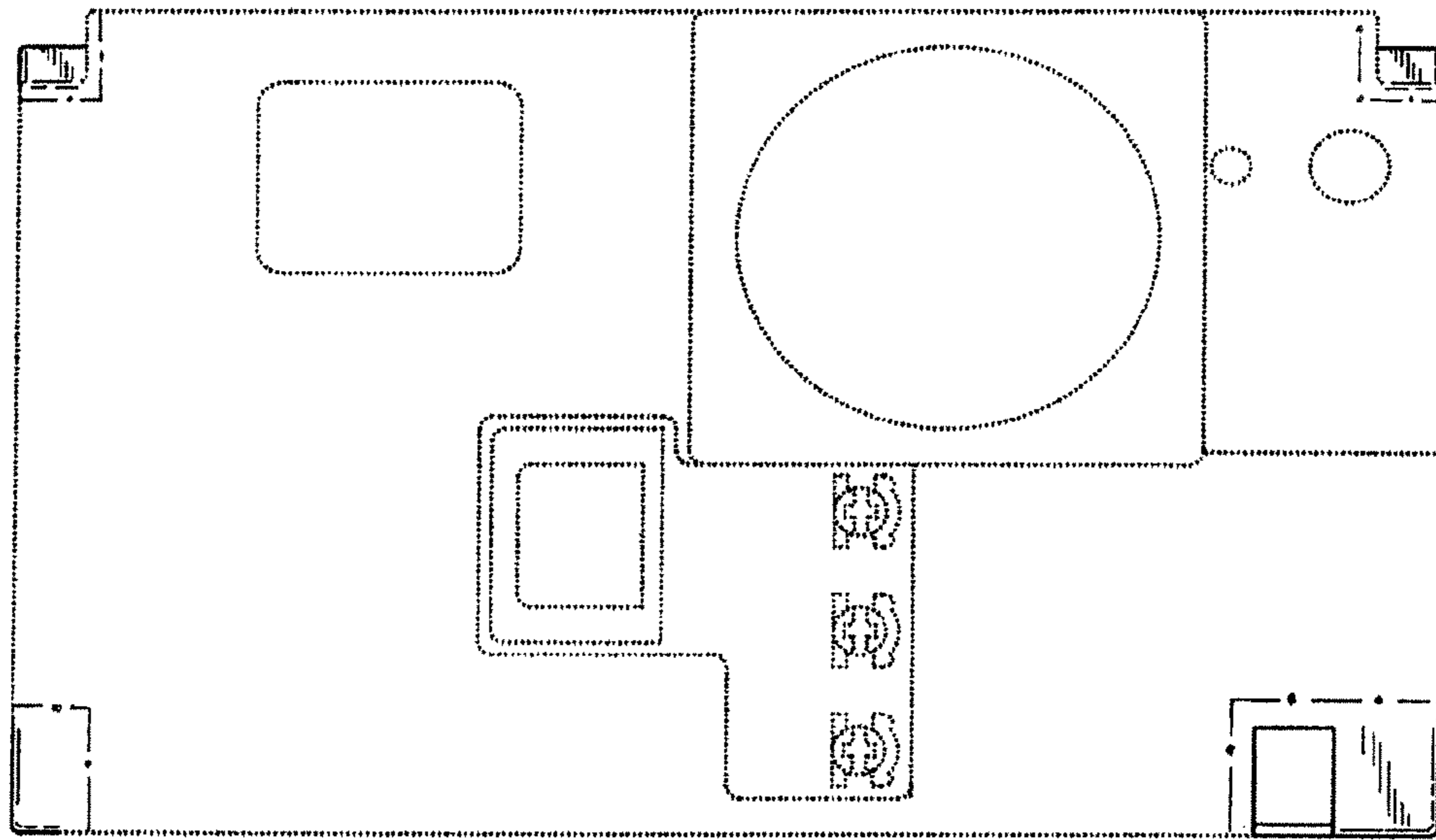


Fig. 15

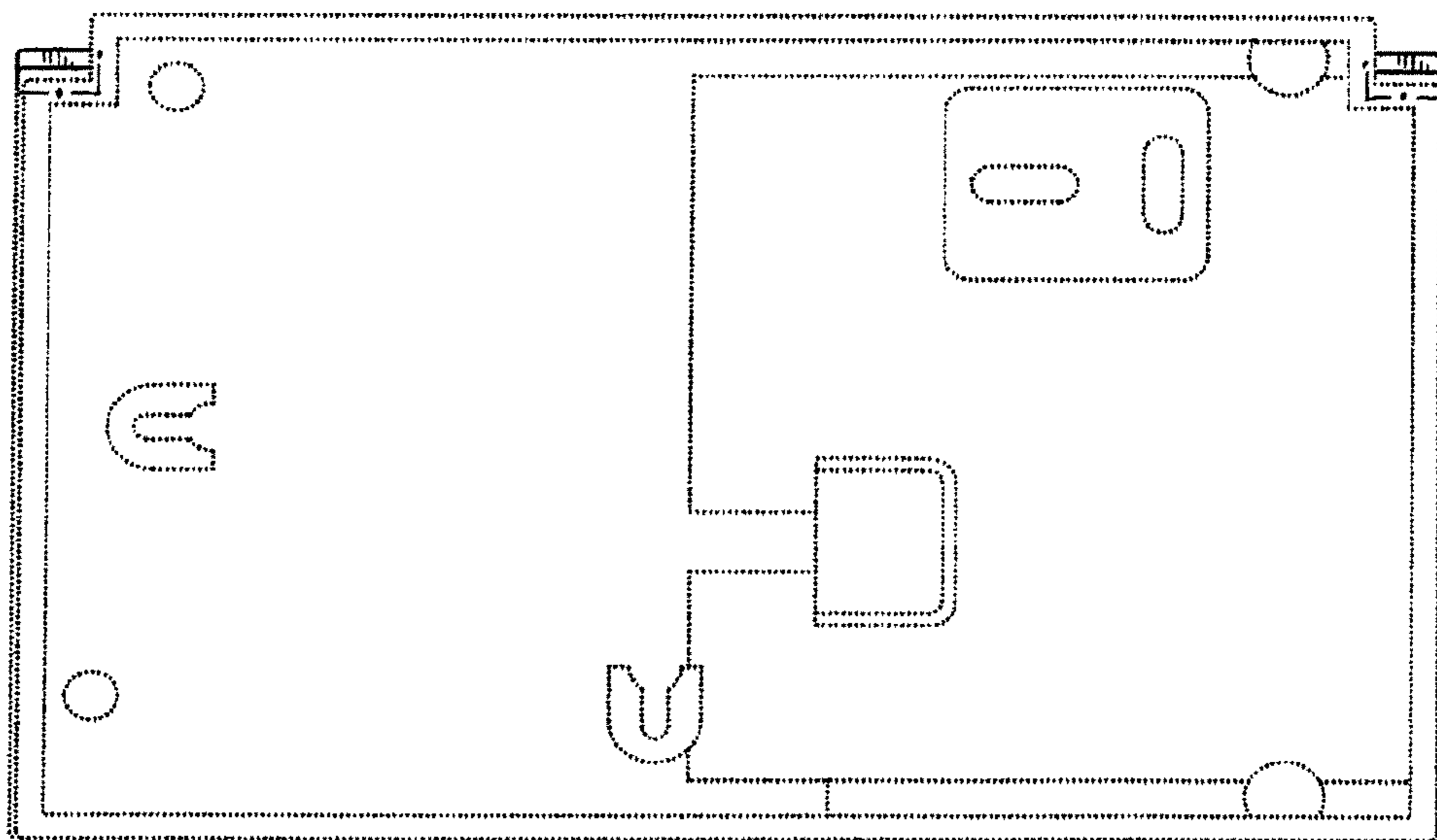


Fig. 16