



US00D676343S

(12) **United States Design Patent**
Shih et al.

(10) **Patent No.:** **US D676,343 S**
(45) **Date of Patent:** **** Feb. 19, 2013**

(54) **BANKNOTE COUNTING MACHINE**

(56) **References Cited**

(71) Applicants: **Chih-Kun Shih**, Santa Clara, CA (US);
Wan-Cheng Luo, Shenzhen (CN);
Xiao-Mao Xie, Shenzhen (CN); **Wei Xu**,
Shenzhen (CN); **Si-He Hu**, Shenzhen
(CN); **Yong-Gui Pan**, Shenzhen (CN)

U.S. PATENT DOCUMENTS

D369,984 S * 5/1996 Larsen D10/97
7,232,024 B2 * 6/2007 Mazur et al. 194/207
D582,471 S * 12/2008 Stoddart et al. D18/47
D657,815 S * 4/2012 Iwakami D18/3.3
2012/0006646 A1 * 1/2012 Morino et al. 194/206

(72) Inventors: **Chih-Kun Shih**, Santa Clara, CA (US);
Wan-Cheng Luo, Shenzhen (CN);
Xiao-Mao Xie, Shenzhen (CN); **Wei Xu**,
Shenzhen (CN); **Si-He Hu**, Shenzhen
(CN); **Yong-Gui Pan**, Shenzhen (CN)

* cited by examiner

Primary Examiner — Antoine D Davis
(74) *Attorney, Agent, or Firm* — Altis Law Group, Inc.

(73) Assignee: **Hon Hai Precision Industry Co., Ltd.**,
New Taipei (TW)

(57) **CLAIM**
The ornamental design for a banknote counting machine, as
shown and described.

(**) Term: **14 Years**

DESCRIPTION

(21) Appl. No.: **29/433,504**

(22) Filed: **Oct. 1, 2012**

(51) **LOC (9) Cl.** **10-04**

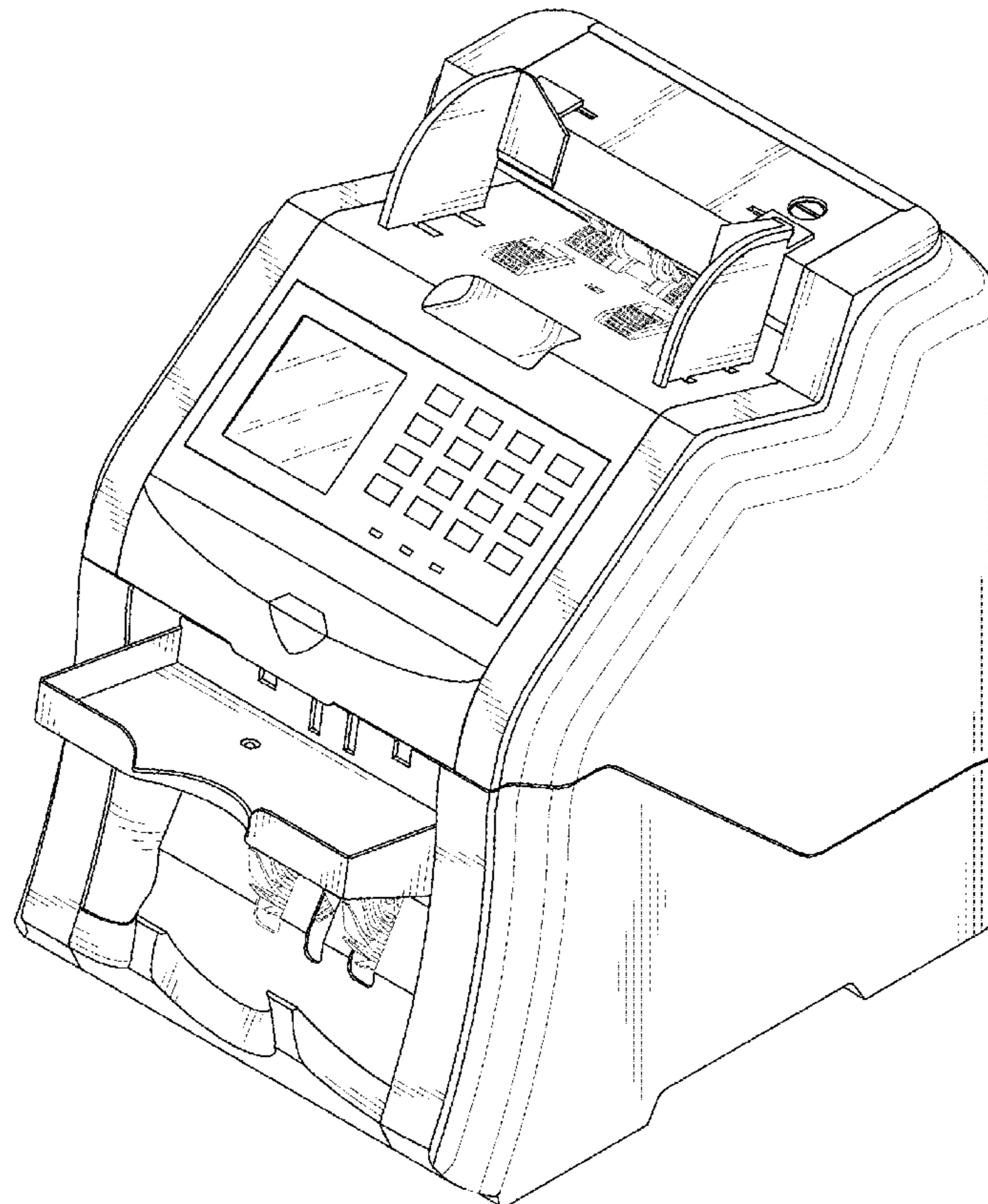
(52) **U.S. Cl.** **D10/97**

(58) **Field of Classification Search** D10/97;
D18/3.1–3.3, 46, 47; 194/206, 207; 209/534;
235/2, 3, 379, 380; 271/3.14, 314, 315; 377/8;
382/135, 137, 138, 312

FIG. 1 is a perspective view of the banknote counting
machine showing our new design;
FIG. 2 is a front elevational view thereof;
FIG. 3 is a rear elevational view thereof;
FIG. 4 is a left side elevational view thereof;
FIG. 5 is a right side elevational view thereof;
FIG. 6 is a top plan view thereof; and,
FIG. 7 is a bottom plan view thereof.
The broken lines shown in the figures form no part of the
claimed design and the shade lines in the figures show contour
and not surface ornamentation.

See application file for complete search history.

1 Claim, 7 Drawing Sheets



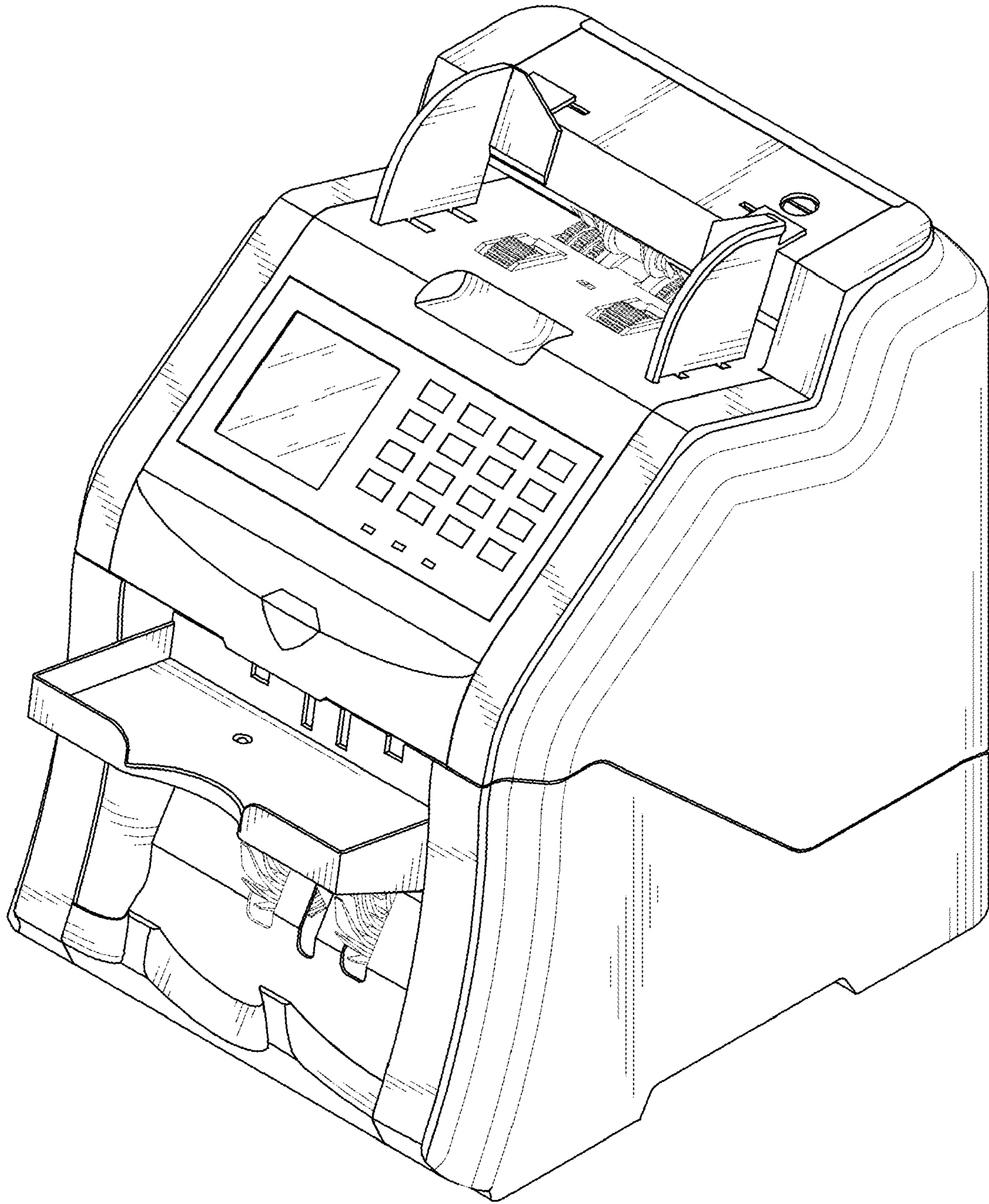


FIG. 1

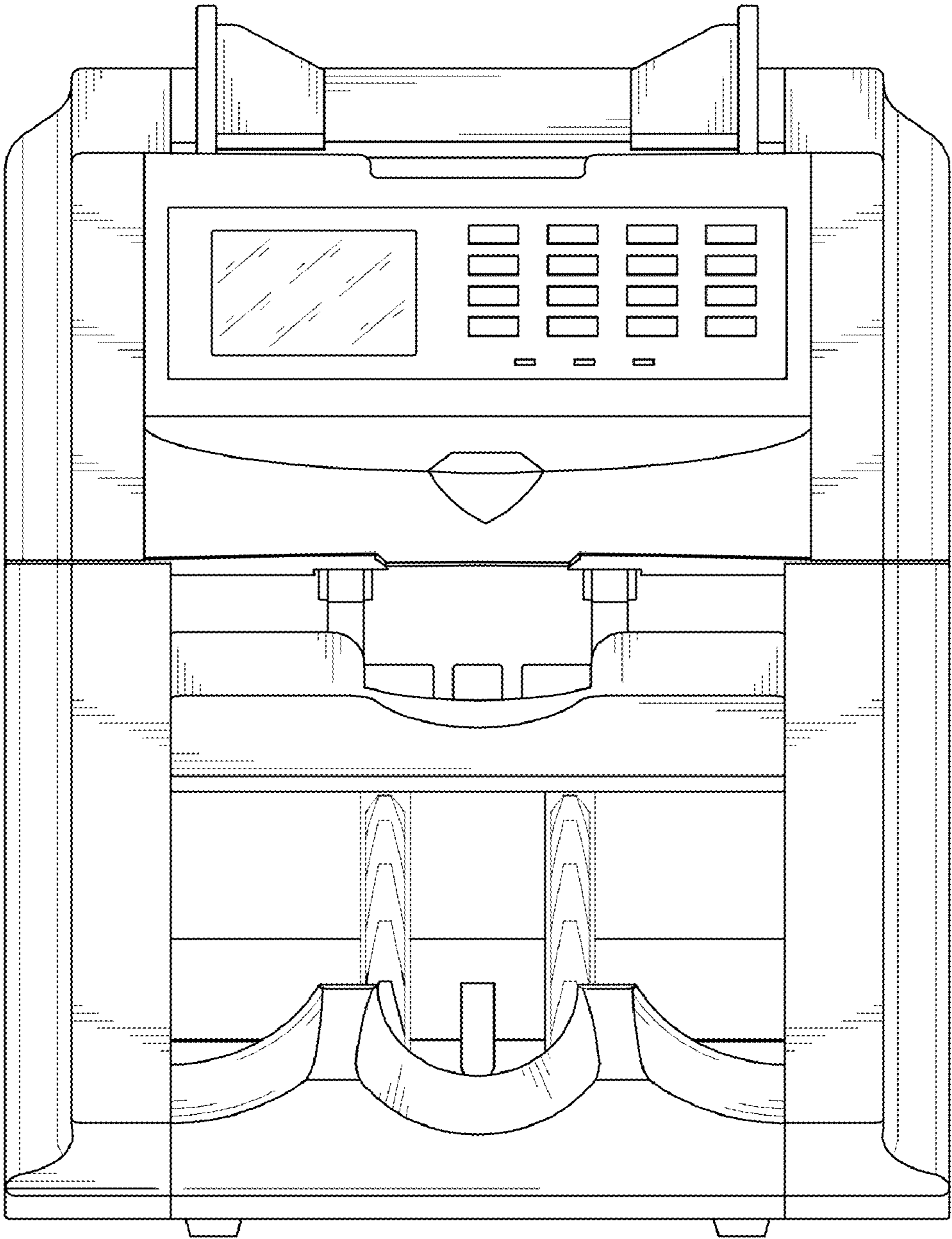


FIG. 2

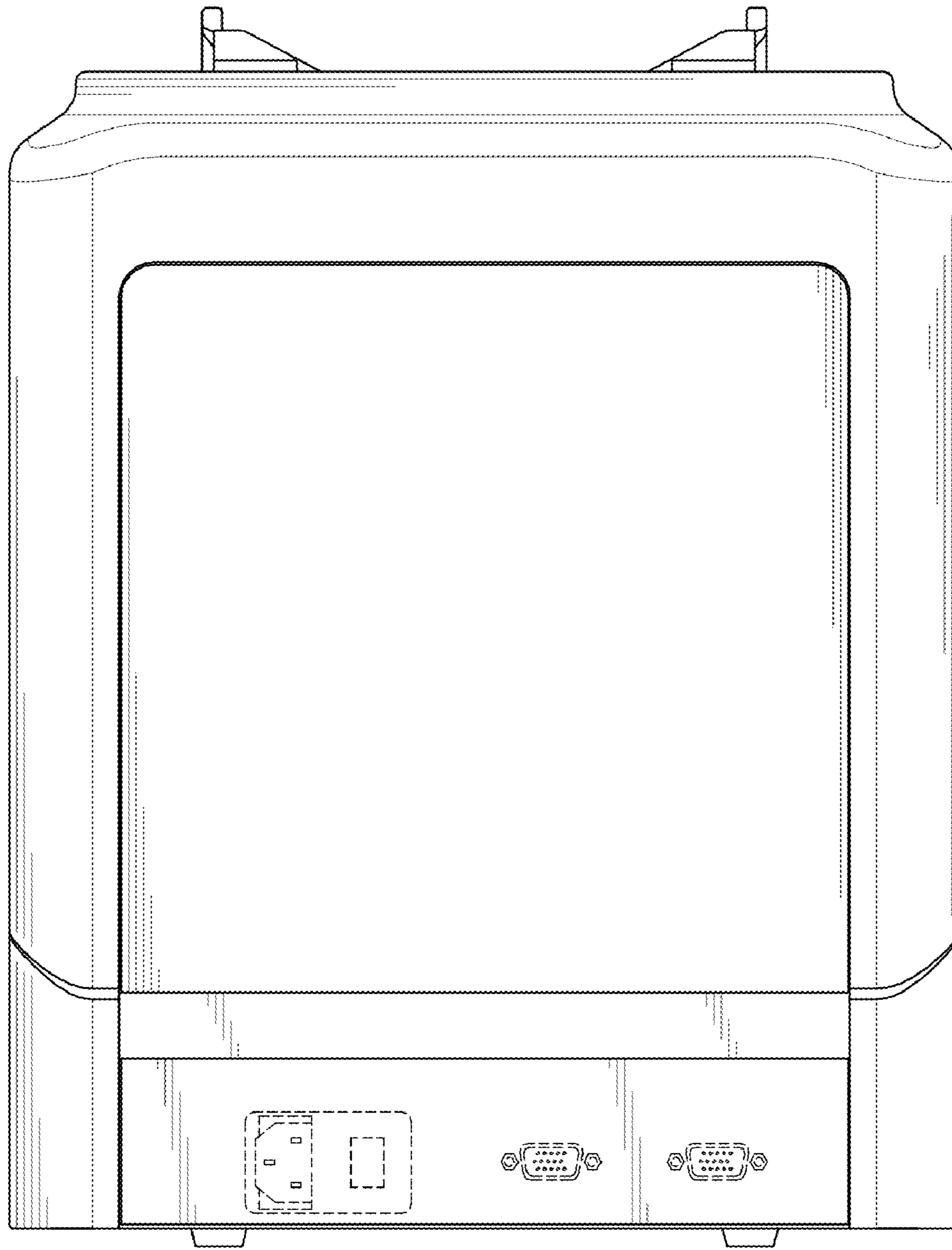


FIG. 3

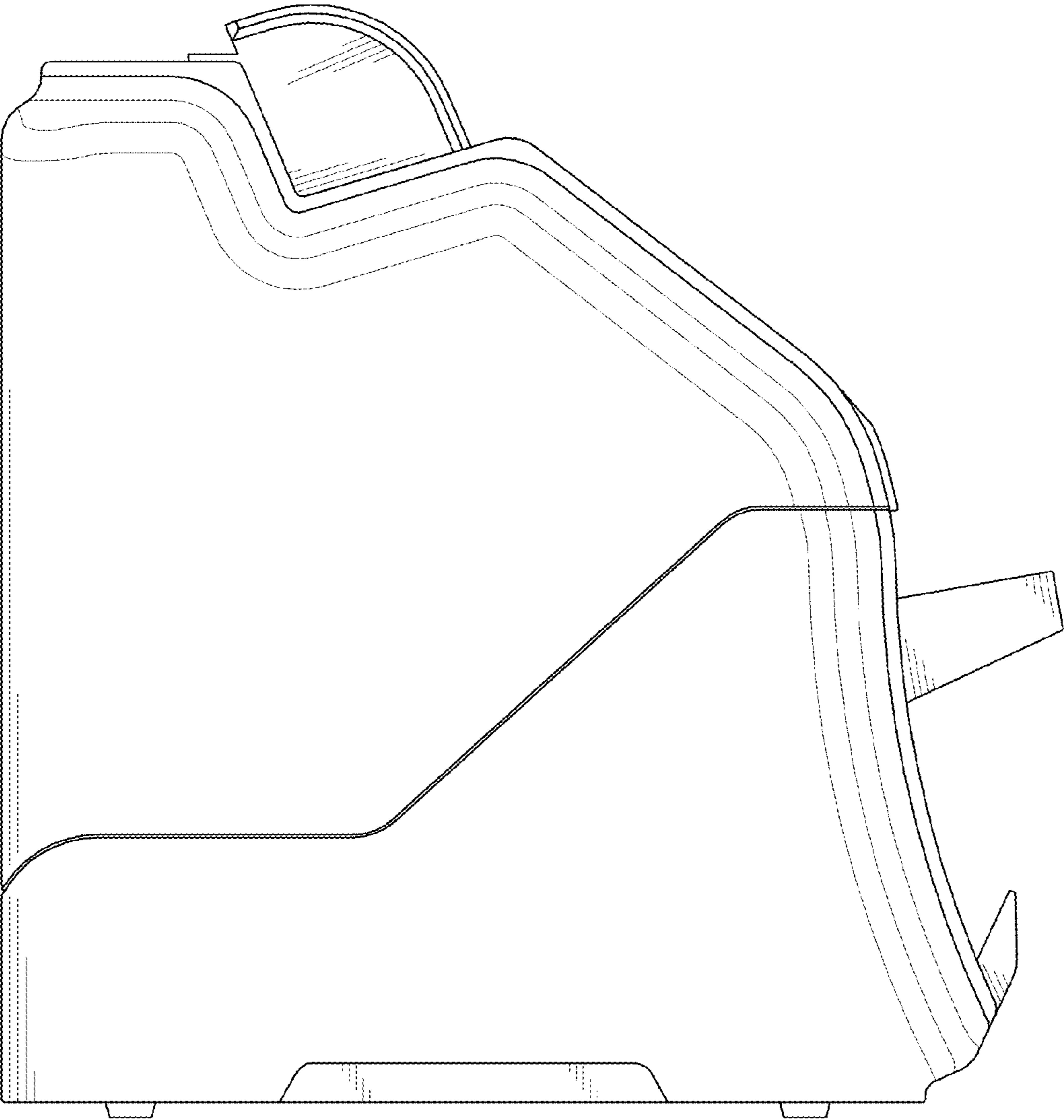


FIG. 4

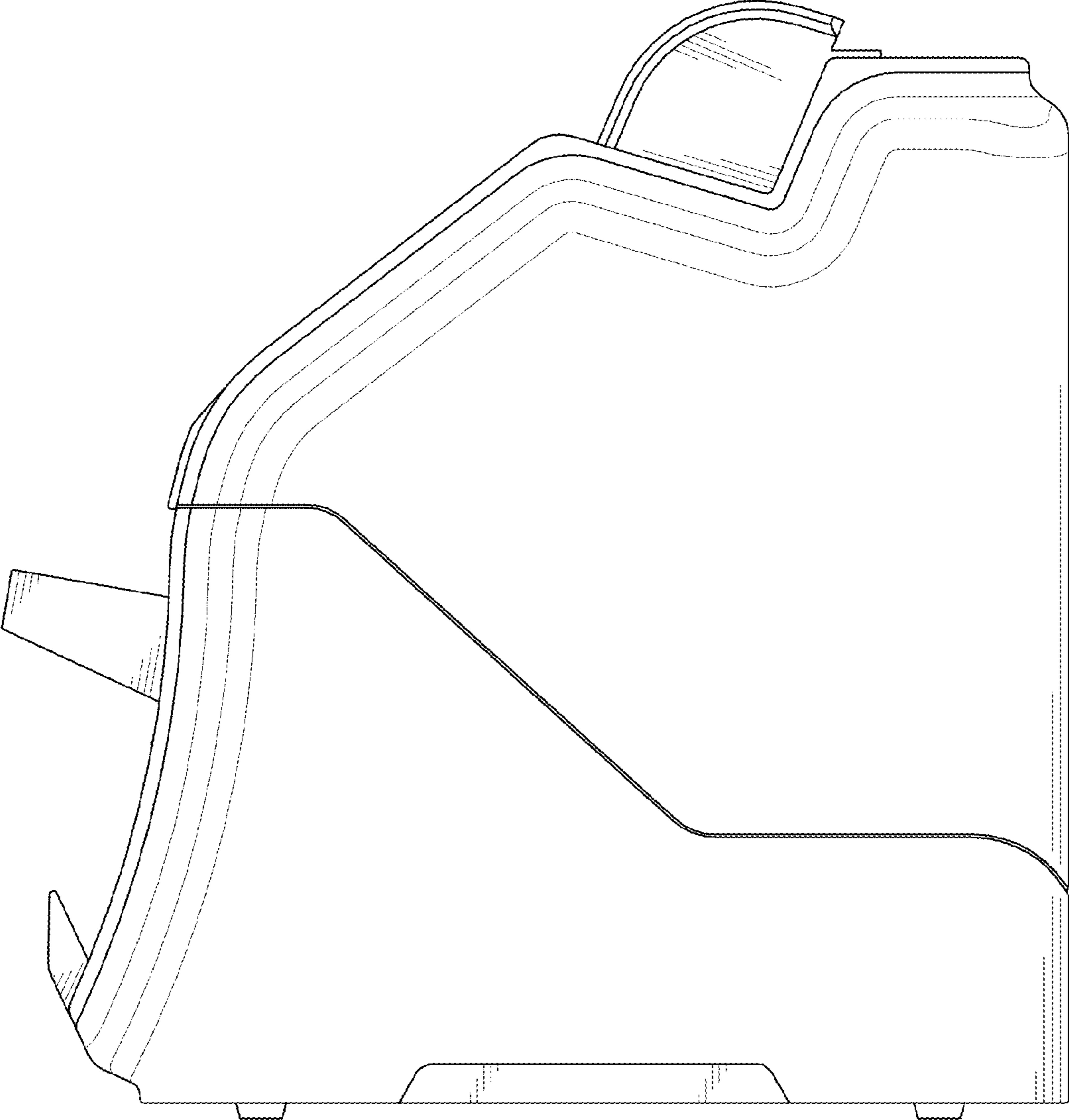


FIG. 5

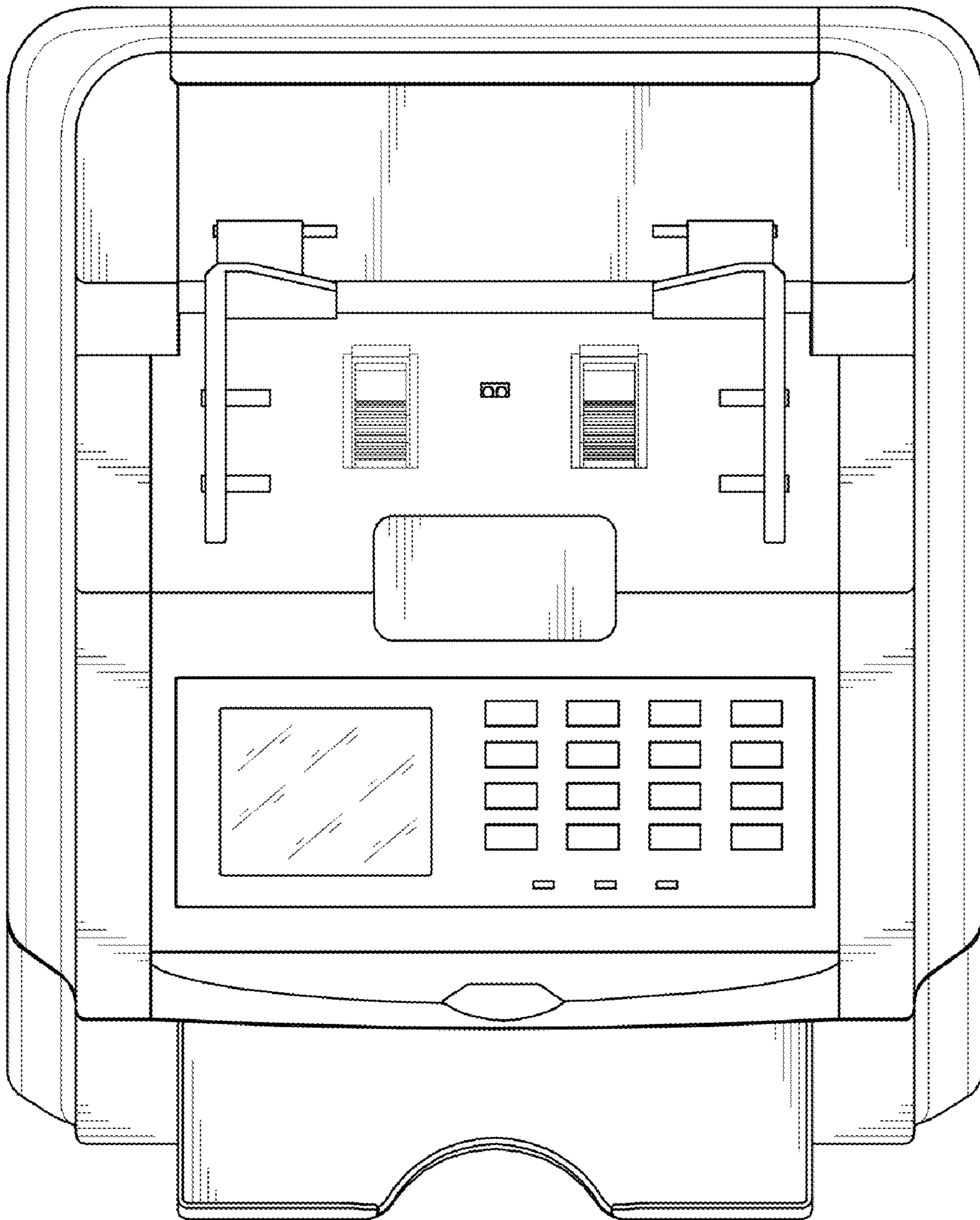


FIG. 6

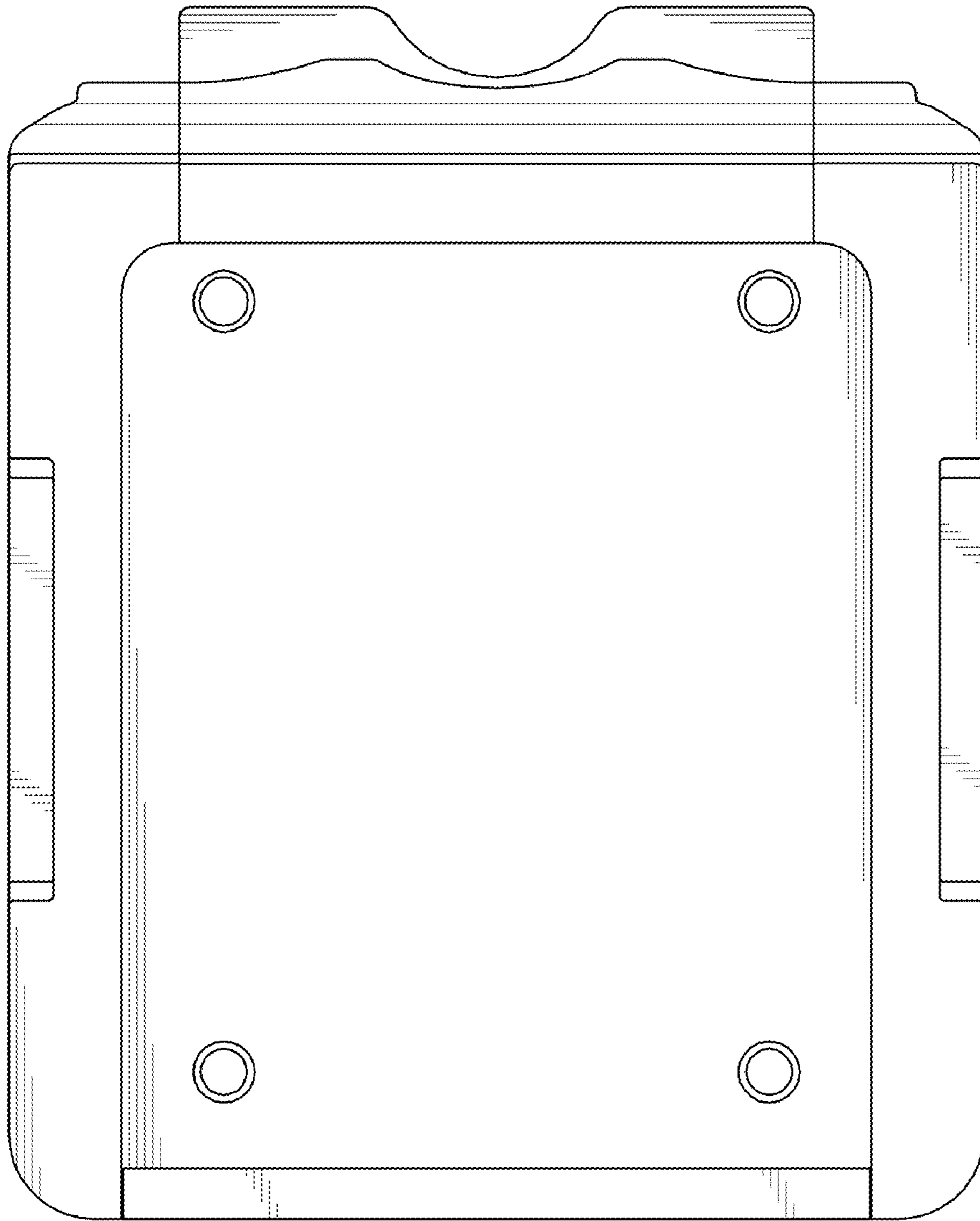


FIG. 7