



US00D676342S

(12) **United States Design Patent**  
**Koiwa**

(10) **Patent No.:** **US D676,342 S**

(45) **Date of Patent:** **\*\* Feb. 19, 2013**

(54) **GPS NAVIGATION**

(75) Inventor: **Tomotaro Koiwa**, Kawasaki (JP)

(73) Assignee: **Kabushiki Kaisha Kenwood**, Tokyo (JP)

(\*\*) Term: **14 Years**

(21) Appl. No.: **29/402,435**

(22) Filed: **Sep. 23, 2011**

(30) **Foreign Application Priority Data**

May 9, 2011 (JP) ..... 2011-010304

(51) **LOC (9) Cl.** ..... **10-04**

(52) **U.S. Cl.** ..... **D10/65; D10/70**

(58) **Field of Classification Search** ..... D10/65, D10/70, 75, 76; D14/347, 136, 167, 168, D14/496, 498, 499, 500, 125-134, 239, 371, D14/374-377, 440, 450, 448, 336, 342; 342/351, 342/419, 457, 357.06-357.16; 343/702; 345/87, 104, 133, 156, 168, 173, 901-905; 348/180, 184, 315, 739, 836, 838, 325; 364/444, 364/499; 701/23-28, 400, 408, 409, 468-491, 701/526; 312/7.2; 341/12; 720/605, 669, 720/600, 655; 369/99, 197; 455/344, 347

See application file for complete search history.

(56) **References Cited**

U.S. PATENT DOCUMENTS

D459,667	S	*	7/2002	Kataoka	.....	D10/65
D565,975	S	*	4/2008	Monaco	.....	D10/64
D582,807	S	*	12/2008	Ichikawa et al.	.....	D10/65
D597,424	S	*	8/2009	Miyawaki	.....	D10/65
D608,230	S	*	1/2010	Sugita	.....	D10/65
D627,244	S	*	11/2010	Nakane et al.	.....	D10/65
D653,132	S	*	1/2012	Shimizu	.....	D10/65
D657,699	S	*	4/2012	Shimizu	.....	D10/64
8,255,157	B2	*	8/2012	Harada	.....	701/426

\* cited by examiner

*Primary Examiner* — Antoine D Davis

(74) *Attorney, Agent, or Firm* — Osha Liang LLP

(57) **CLAIM**

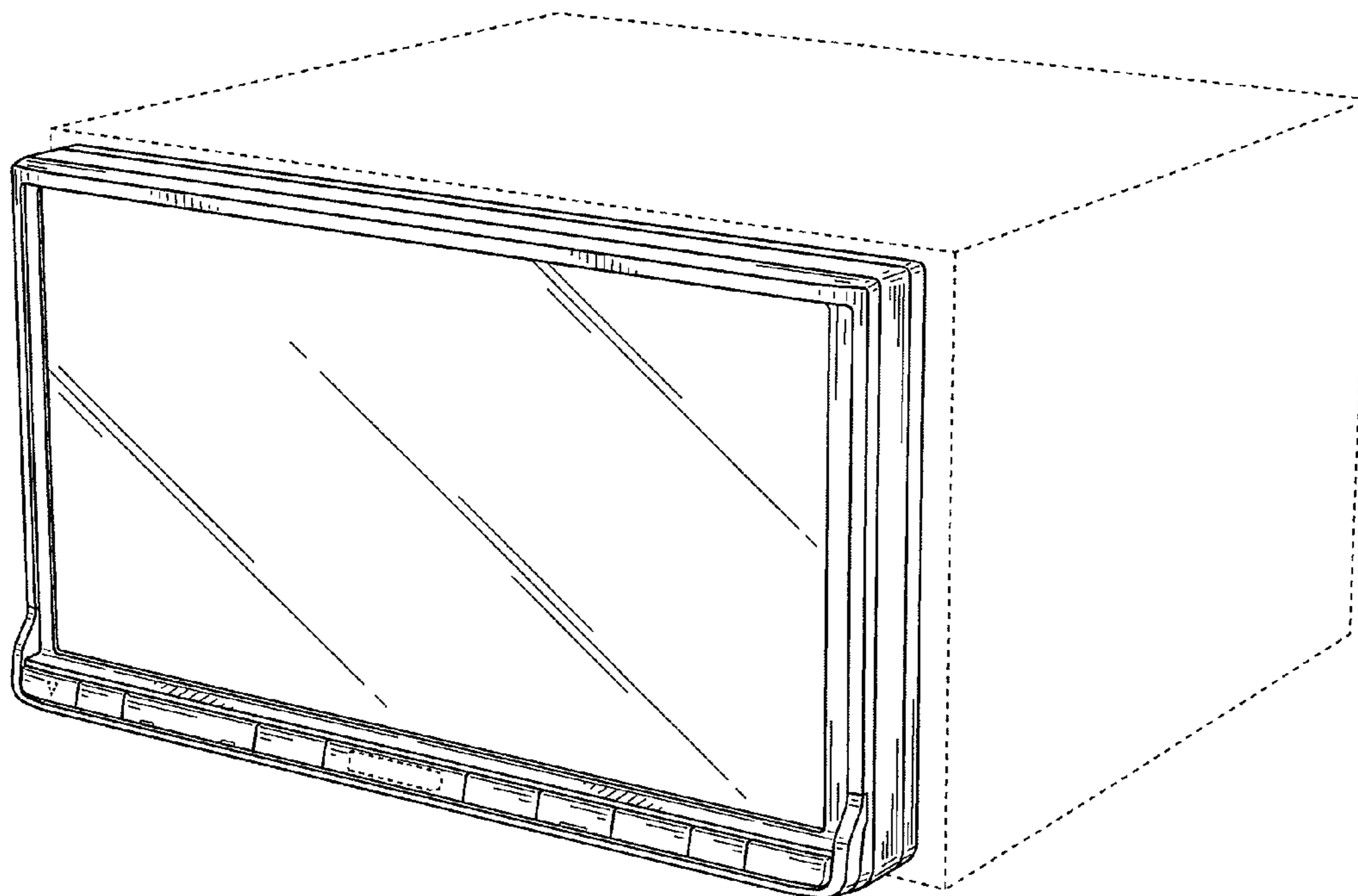
The ornamental design for GPS navigation, as shown and described.

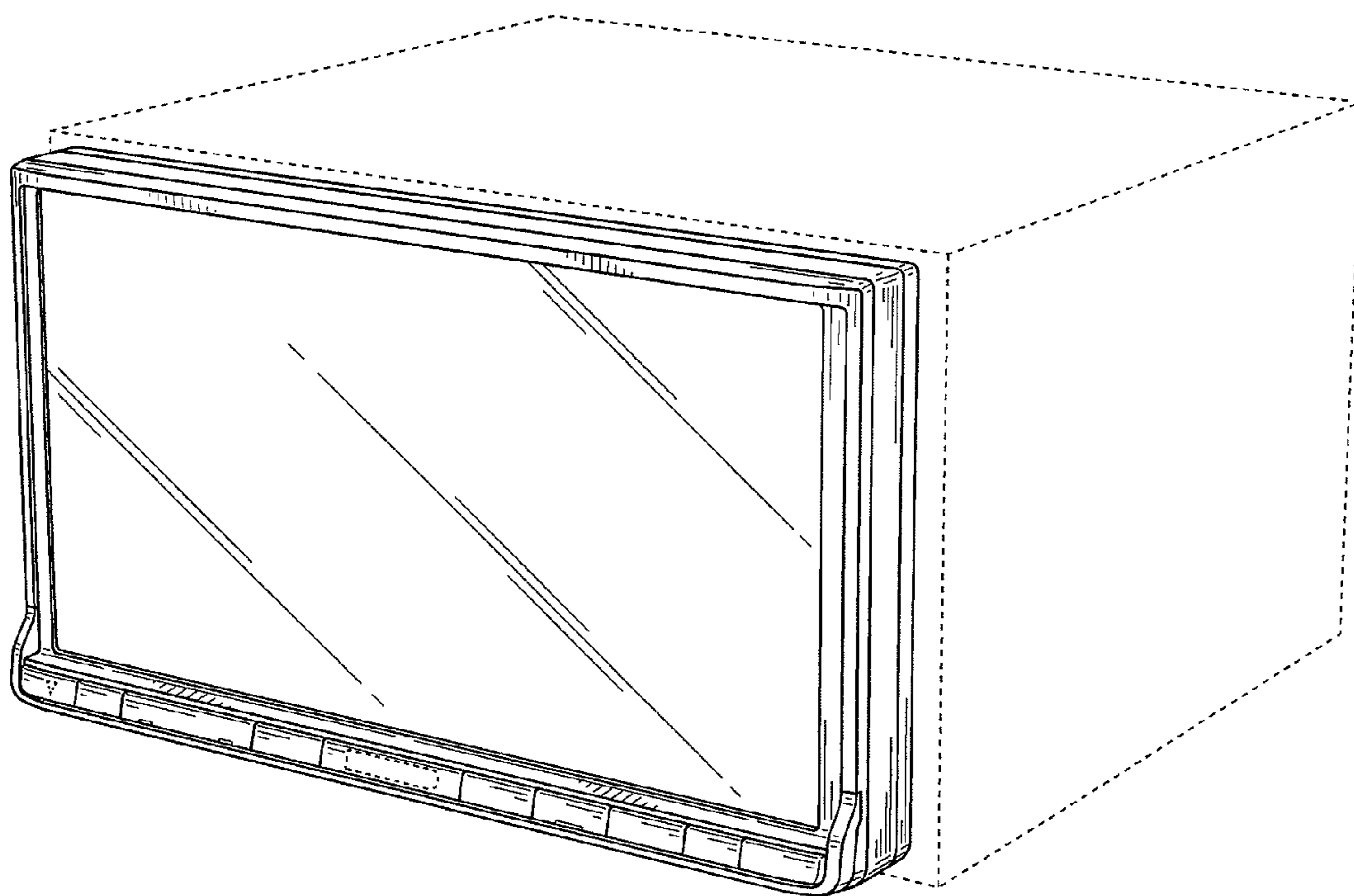
**DESCRIPTION**

FIG. 1 is a perspective view of front, right and top of a GPS navigation showing my new design; FIG. 2 is a front view thereof; FIG. 3 is a rear view thereof; FIG. 4 is a left side view thereof; FIG. 5 is a right side view thereof; FIG. 6 is a top view thereof; and, FIG. 7 is a bottom view thereof.

The broken lines showing of the GPS navigation is included for the purpose of illustrating portions of the GPS navigation and forms no part of the claimed design.

**1 Claim, 5 Drawing Sheets**





*FIG. 1*

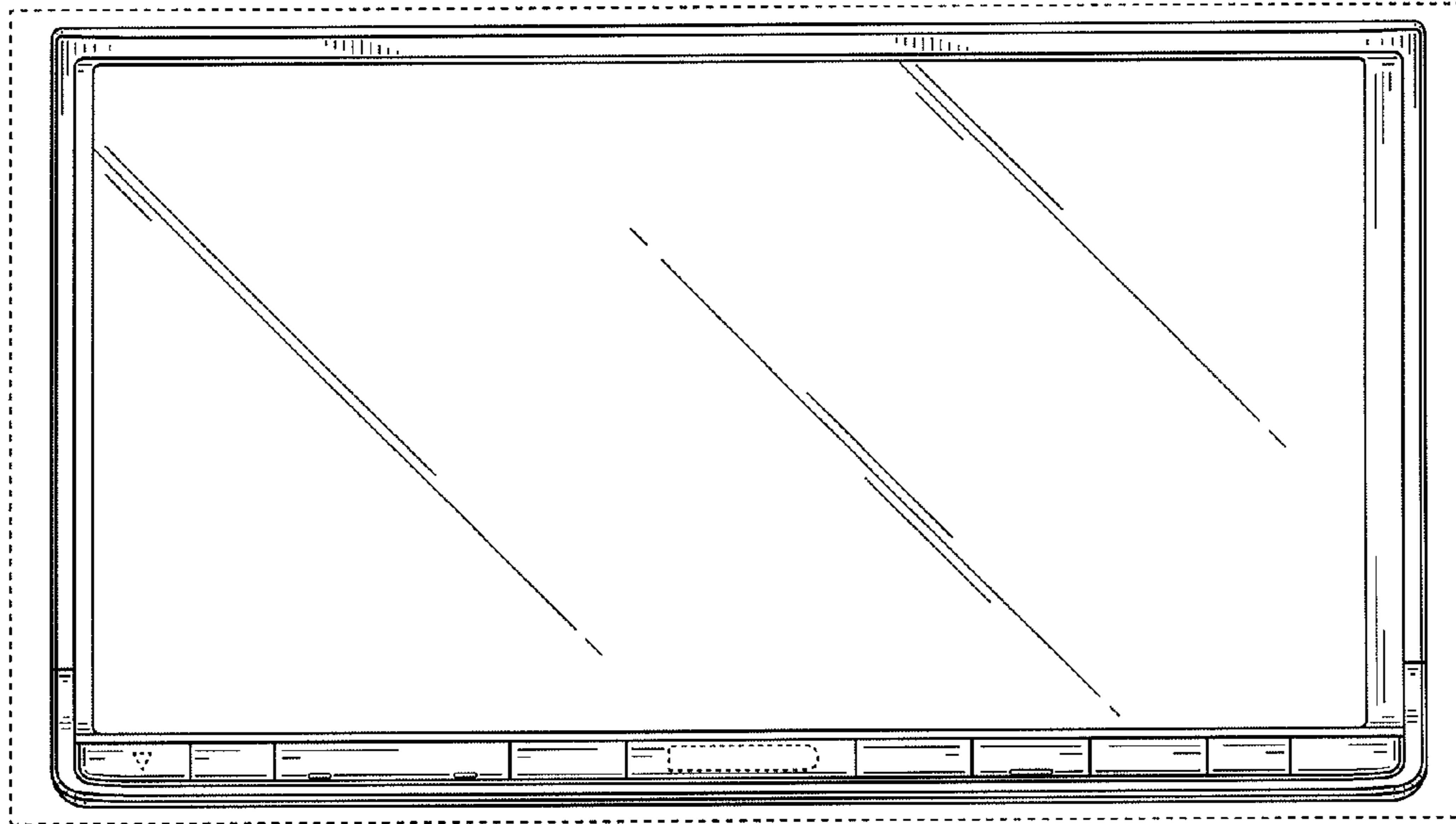


FIG. 2

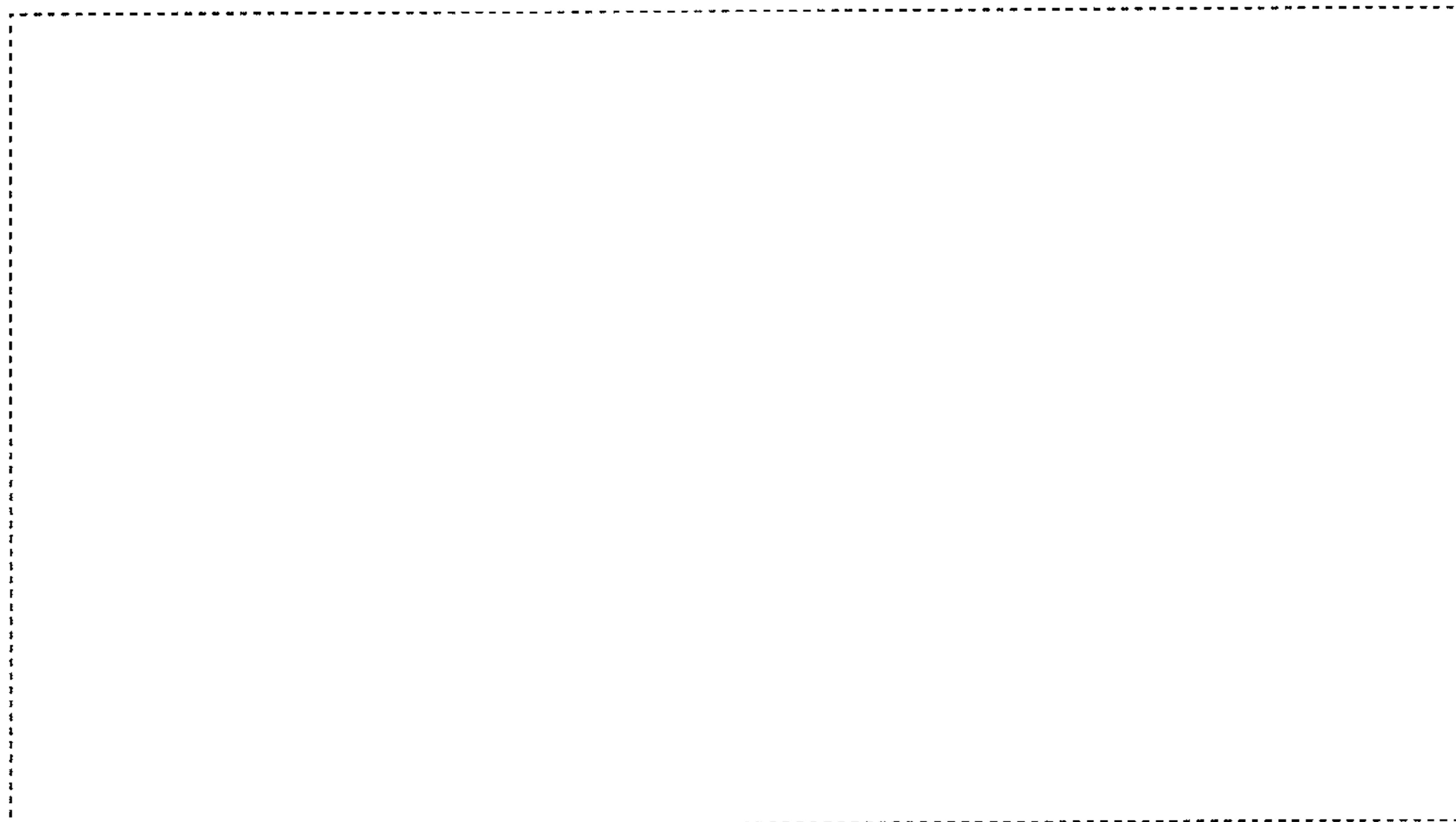
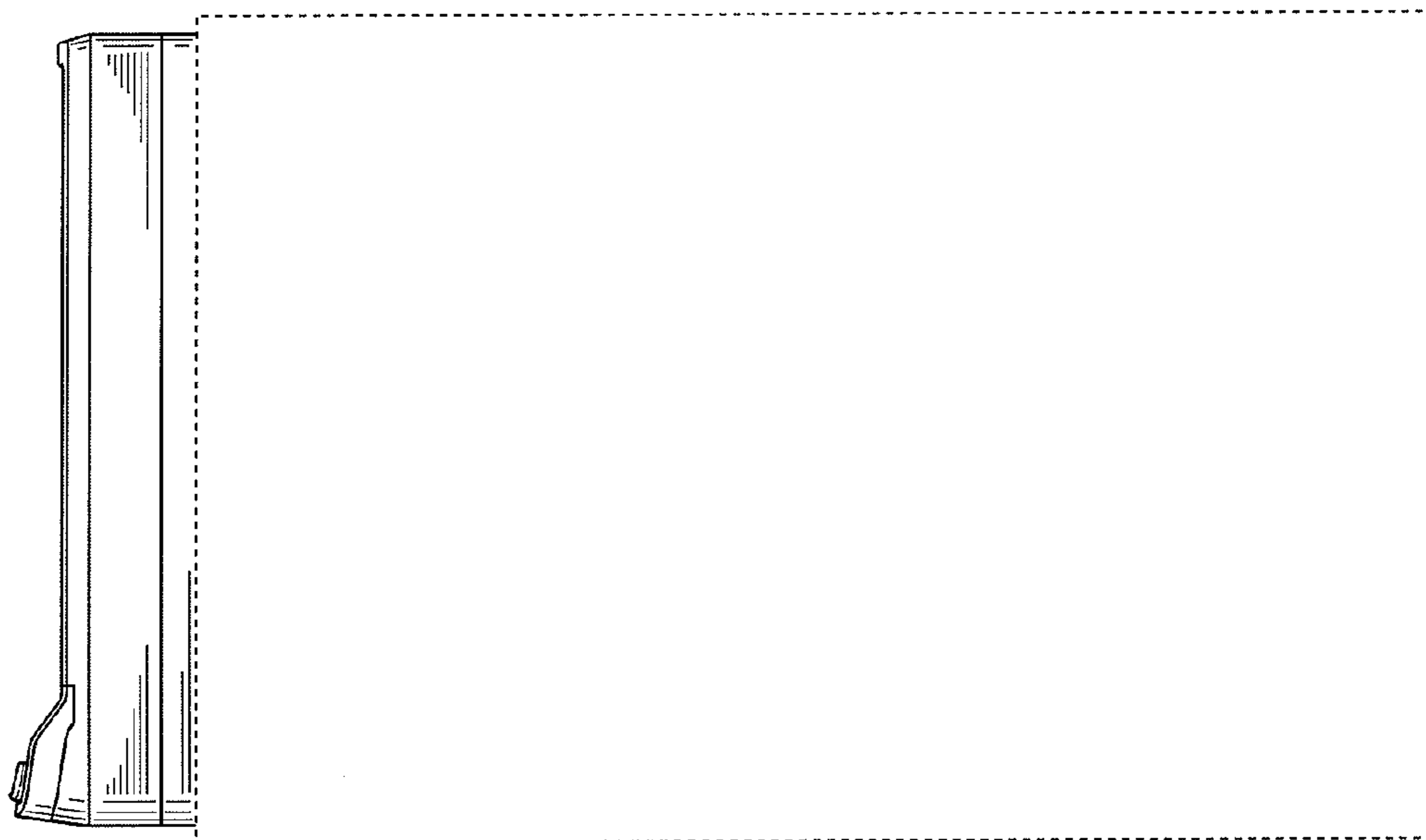


FIG. 3



*FIG. 4*



*FIG. 5*

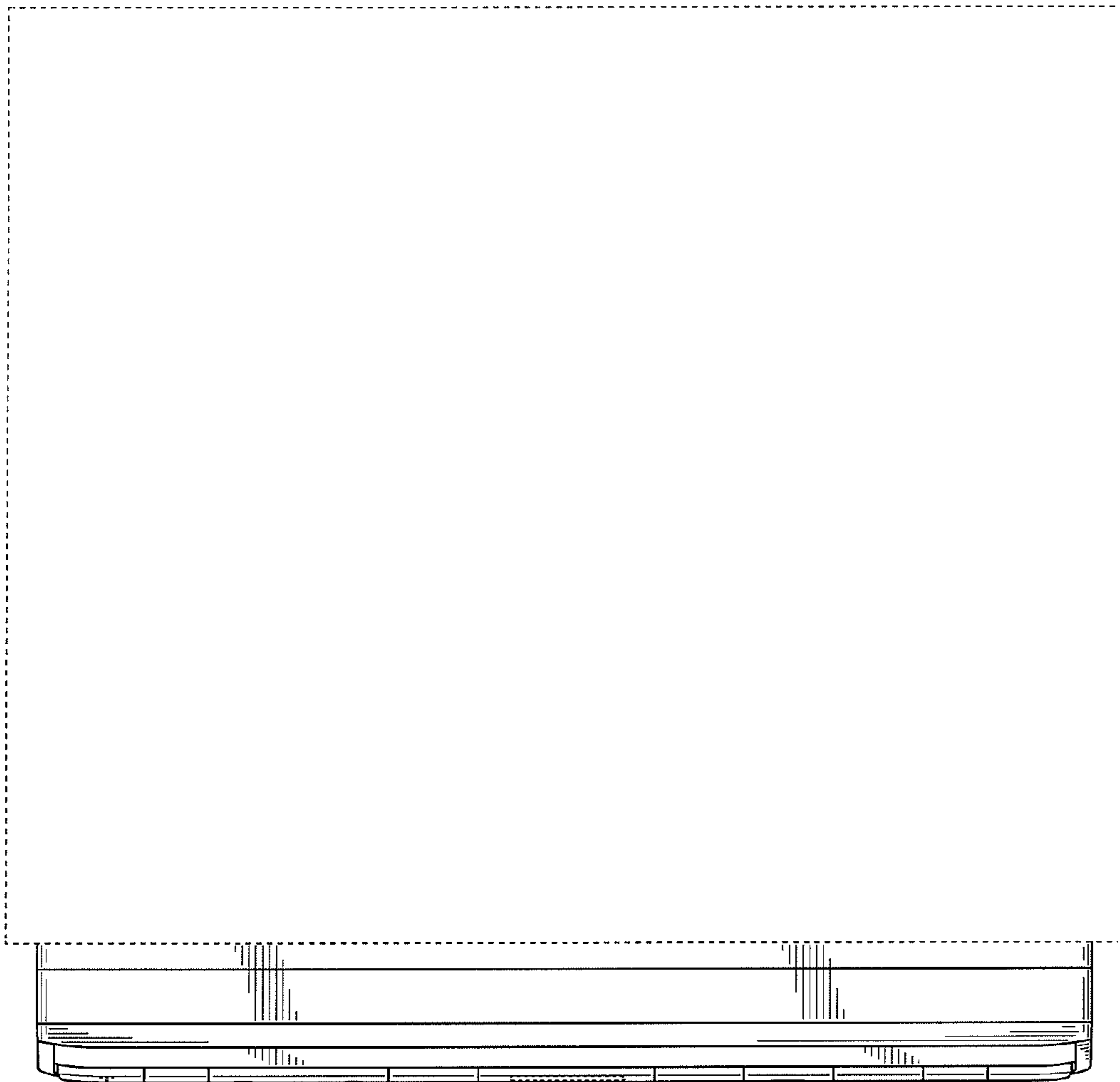
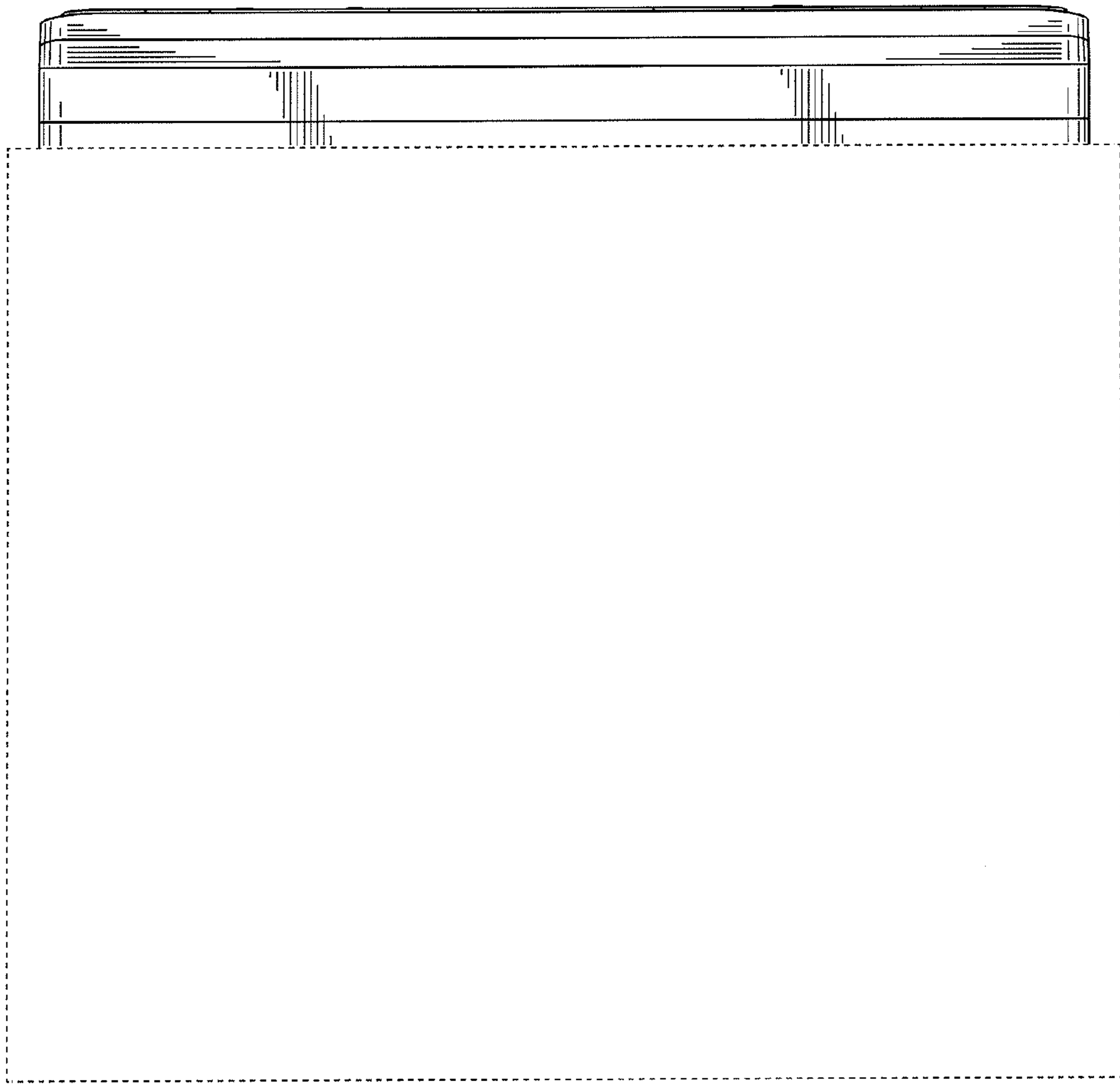


FIG. 6



*FIG. 7*