

US00D676341S

(12) **United States Design Patent**  
**Bailey et al.**

(10) **Patent No.:** **US D676,341 S**  
(45) **Date of Patent:** **\*\* Feb. 19, 2013**

- (54) **MEASUREMENT DEVICE**
- (75) Inventors: **Brent Bailey**, Winter Springs, FL (US);  
**Marc M. Barber**, Deltona, FL (US);  
**Clark H. Briggs**, DeLand, FL (US);  
**David M. Danielson**, Sorrento, FL (US);  
**Orlando Perez**, Lake Mary, FL (US)
- (73) Assignee: **Faro Technologies, Inc.**, Lake Mary, FL (US)
- (\*\*) Term: **14 Years**
- (21) Appl. No.: **29/412,903**
- (22) Filed: **Feb. 9, 2012**

**Related U.S. Application Data**

- (62) Division of application No. 29/379,170, filed on Nov. 16, 2010, now Pat. No. Des. 662,427.
  - (51) **LOC (9) Cl.** ..... **10-04**
  - (52) **U.S. Cl.** ..... **D10/63; D15/199**
  - (58) **Field of Classification Search** ..... D10/63;  
D15/199; 33/503-505, 558; 319/560; 700/245,  
700/262, 195, 80; 702/150-156, 94, 95,  
702/167-169
- See application file for complete search history.

(56) **References Cited**

**U.S. PATENT DOCUMENTS**

1,538,758	A	5/1925	Taylor	
5,768,792	A	6/1998	Raab	
5,926,782	A	7/1999	Raab	
5,956,857	A	9/1999	Raab	
5,978,748	A	11/1999	Raab	
D423,534	S	4/2000	Raab et al.	
6,131,299	A	10/2000	Raab et al.	
6,151,789	A	11/2000	Raab et al.	
D441,632	S	5/2001	Raab et al.	
6,253,458	B1	7/2001	Raab et al.	
6,366,831	B1 *	4/2002	Raab	700/262
6,497,394	B1	12/2002	Dunchock	
D472,824	S *	4/2003	Raab et al.	D10/63
D479,544	S *	9/2003	Raab et al.	D15/199
D490,831	S *	6/2004	Raab et al.	D15/199
D491,210	S	6/2004	Raab et al.	
6,931,745	B2	8/2005	Granger	
7,024,032	B2	4/2006	Kidd et al.	
7,174,651	B2	2/2007	Raab et al.	
7,246,030	B2	7/2007	Raab et al.	
7,269,910	B2	9/2007	Raab et al.	
D551,943	S	10/2007	Hodjat et al.	

7,296,364	B2	11/2007	Seitz et al.	
7,296,955	B2	11/2007	Dreier	
7,296,979	B2	11/2007	Raab et al.	
D559,657	S	1/2008	Wohlford et al.	
7,525,276	B2	4/2009	Eaton	
7,568,293	B2	8/2009	Ferrari	
D599,226	S	9/2009	Gerent et al.	
7,624,510	B2	12/2009	Ferrari	
D607,350	S *	1/2010	Cooduvalli et al.	D10/63
D610,926	S	3/2010	Gerent et al.	
7,693,325	B2	4/2010	Pulla et al.	

(Continued)

**FOREIGN PATENT DOCUMENTS**

EP	2068067	6/2009
EP	2068114	6/2009

(Continued)

*Primary Examiner* — Antoine D Davis

(74) *Attorney, Agent, or Firm* — Cantor Colburn LLP

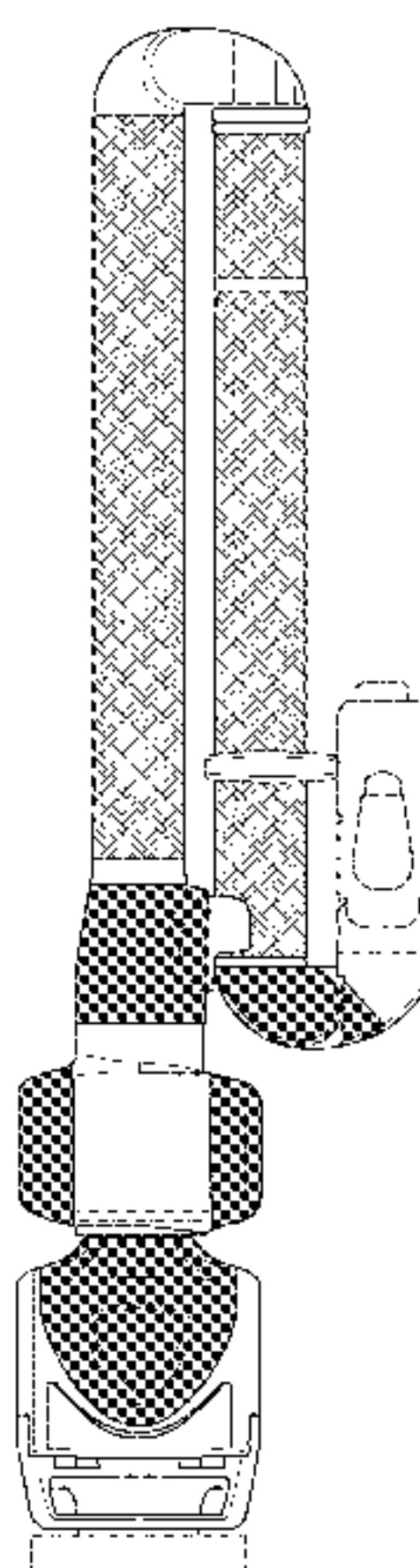
(57) **CLAIM**

We claim, the ornamental design for a measurement device, as shown and described.

**DESCRIPTION**

FIG. 1 is a front plan view of a fourth embodiment the invention;  
 FIG. 2 is a rear plan view of the embodiment of FIG. 1;  
 FIG. 3 is a first side plan view of the embodiment of FIG. 1;  
 FIG. 4 is a second side plan view of the embodiment of FIG. 1;  
 FIG. 5 is a bottom plan view of the embodiment of FIG. 1;  
 FIG. 6 is a top plan view of the embodiment of FIG. 1;  
 FIG. 7 is a first perspective view of the embodiment of FIG. 1;  
 FIG. 8 is a second perspective view of the embodiment of FIG. 1;  
 FIG. 9 is a third perspective view of the embodiment of FIG. 1; and,  
 FIG. 10 is an enlarged plan view of the repeating pattern along the arm portions of FIGS. 1-9.  
 The phantom lines shown in FIG. 1-FIG. 10 are environmental and not part of the claimed design.  
 The light gray portions shown in FIG. 1-9 have RGB values of R=198, G=198, B=198.  
 The white portions shown in FIG. 1-9 have RGB values of R=230, G=230, B=230.  
 The dark gray portions shown in FIG. 1-9 have RGB values of R=056, G=085, B=168.  
 References to “side”, “top”, “front”, “rear” and “bottom” in the figure descriptions are not meant to require certain in-use orientation; a measurement device according to the claimed design may be used in any orientation.

**1 Claim, 6 Drawing Sheets**



# US D676,341 S

Page 2

---

## U.S. PATENT DOCUMENTS

7,743,524 B2 6/2010 Eaton et al.  
7,779,548 B2 8/2010 Ferrari  
7,779,553 B2 8/2010 Jordil et al.  
D643,319 S \* 8/2011 Ferrari et al. .... D10/63  
D659,035 S \* 5/2012 Ferrari et al. .... D10/63  
D662,427 S \* 6/2012 Bailey et al. .... D10/63  
2006/0186301 A1 8/2006 Dozier et al.  
2006/0291970 A1 12/2006 Granger  
2008/0052936 A1 3/2008 Briggs et al.

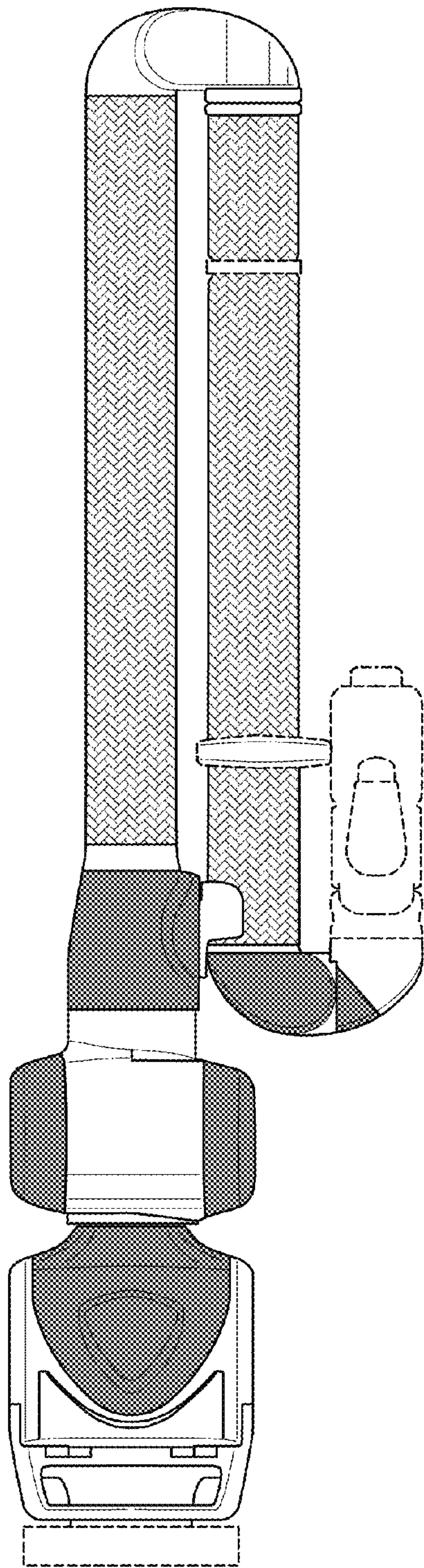
2008/0148585 A1 6/2008 Raab et al.  
2009/0083985 A1 4/2009 Ferrari  
2009/0249634 A1 10/2009 Pettersson  
2010/0095542 A1 4/2010 Ferrari  
2010/0208062 A1 8/2010 Pettersson  
2010/0325907 A1 12/2010 Tait

## FOREIGN PATENT DOCUMENTS

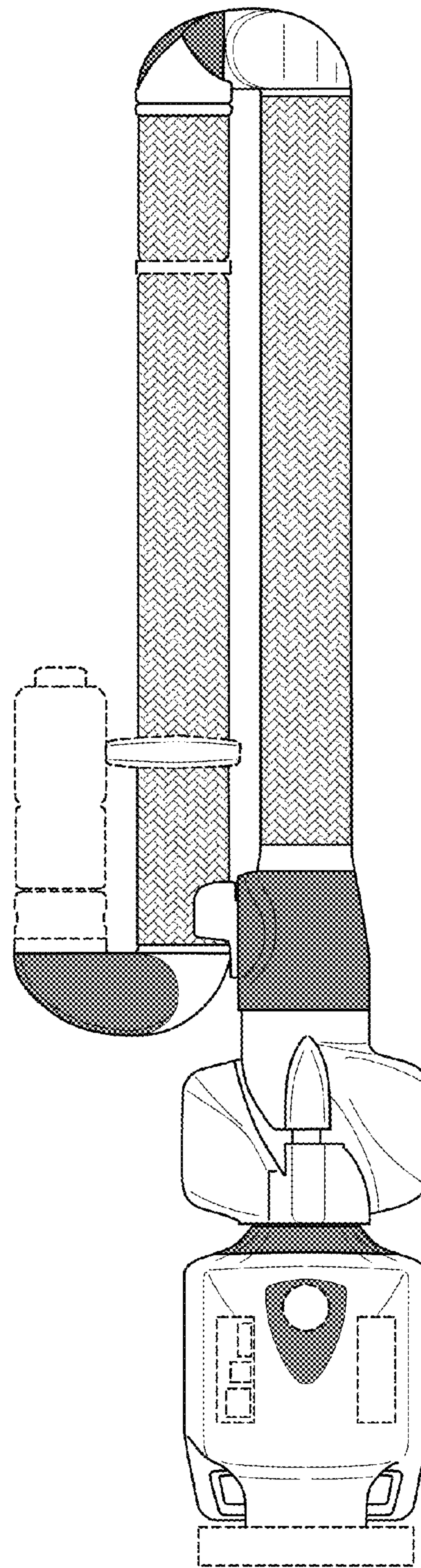
WO 2009130169 10/2009

\* cited by examiner

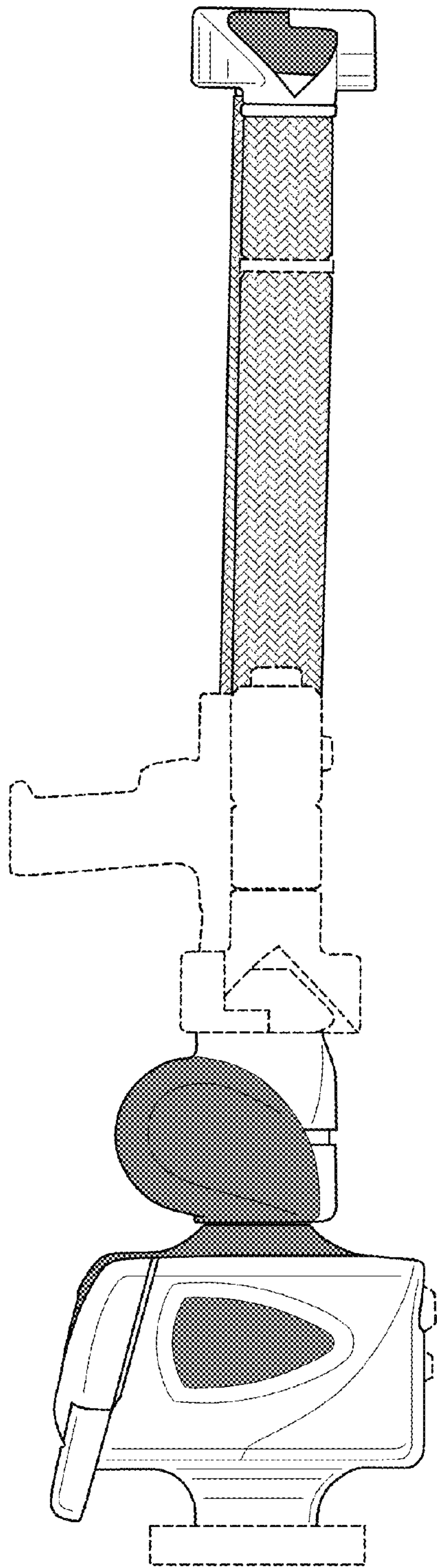




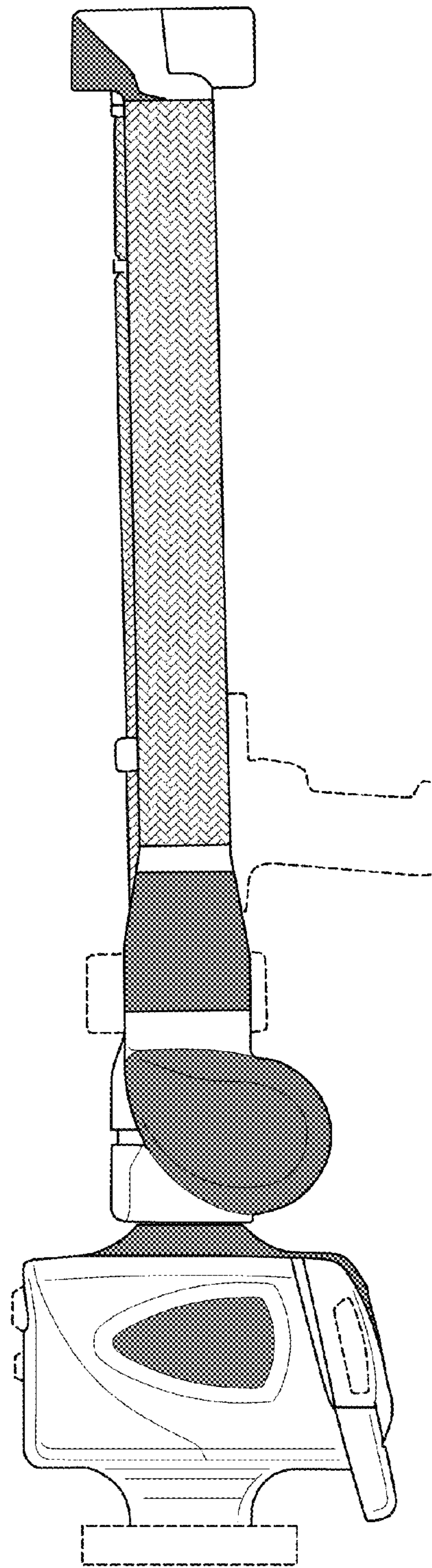
**FIG. 1**



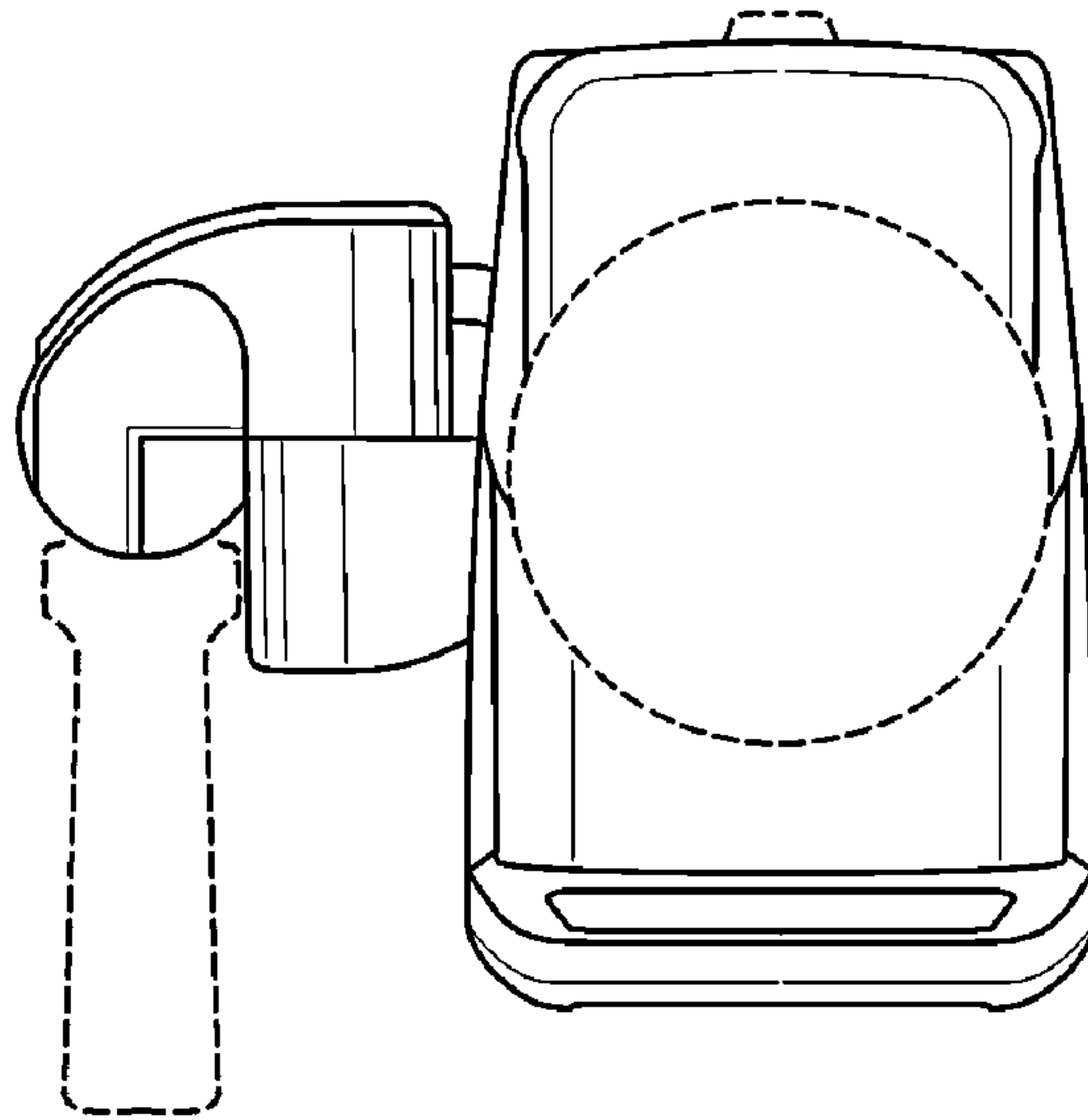
**FIG. 2**



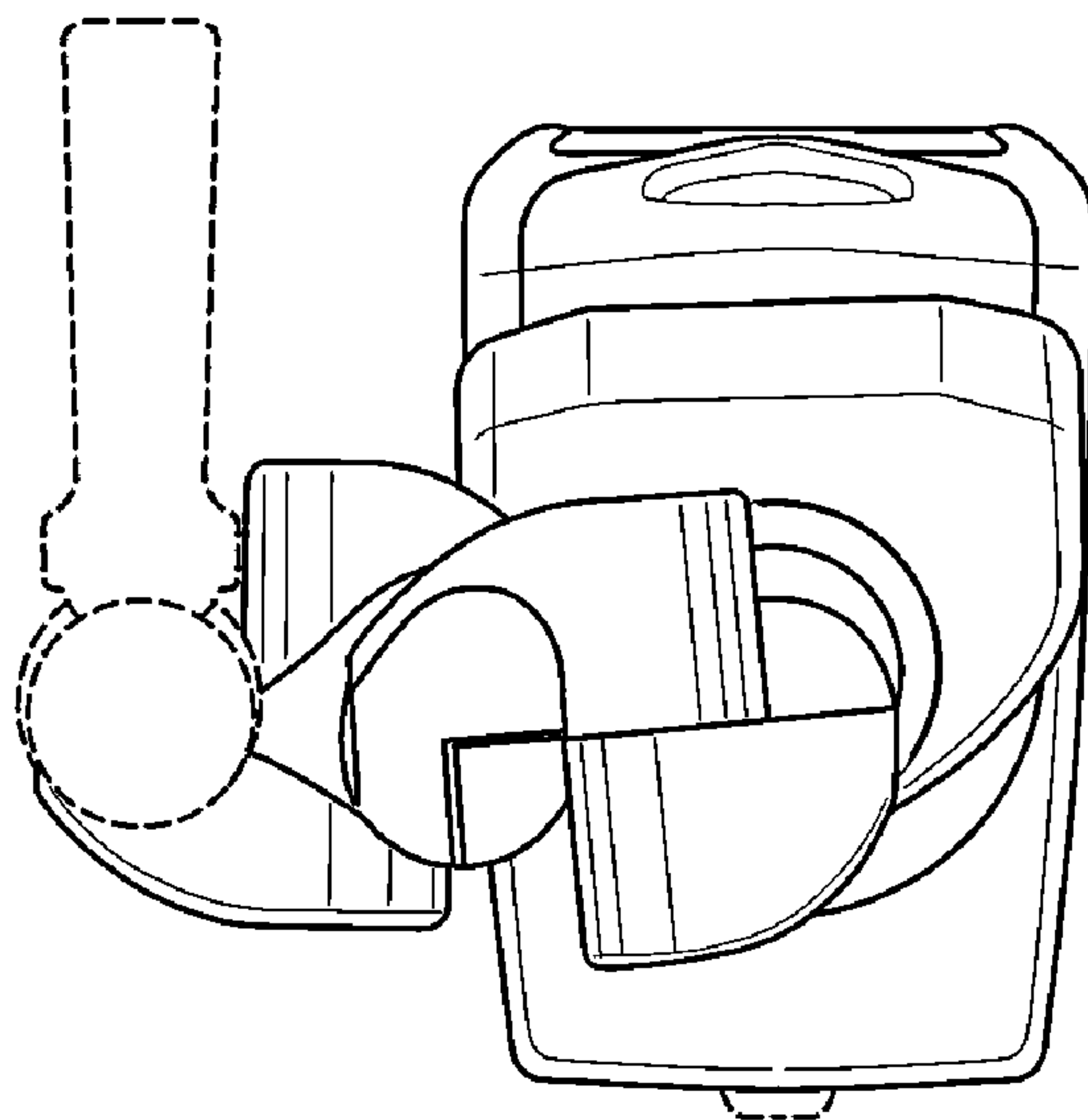
**FIG. 3**



**FIG. 4**



**FIG. 5**



**FIG. 6**



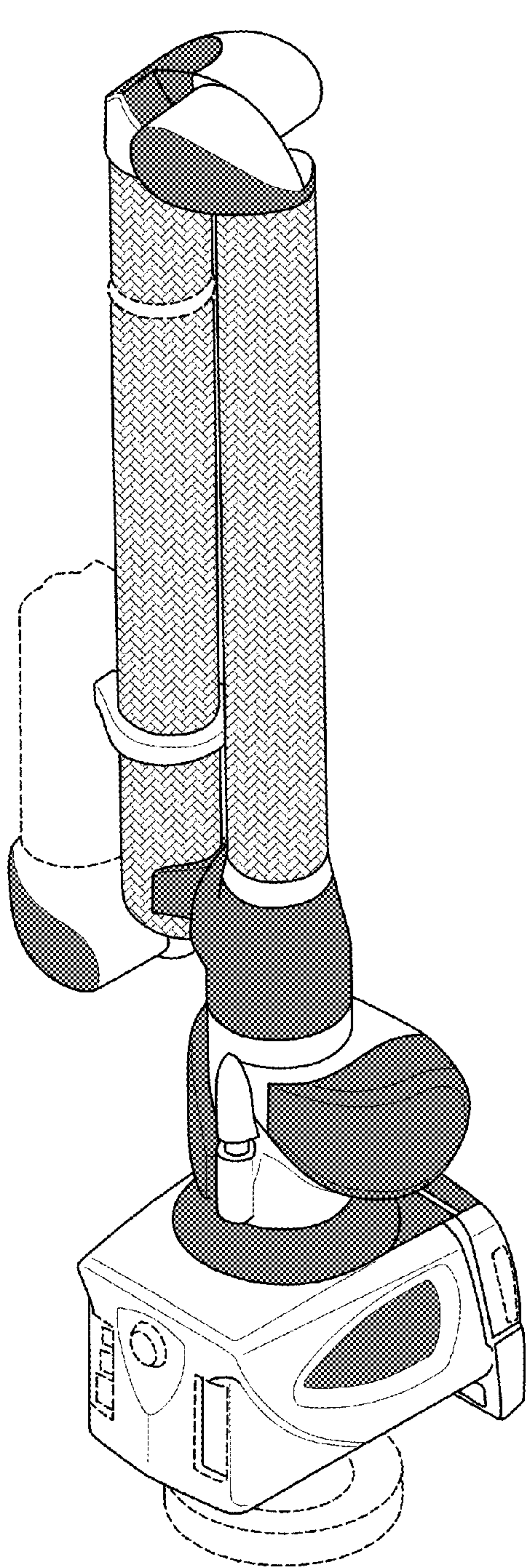


FIG. 7

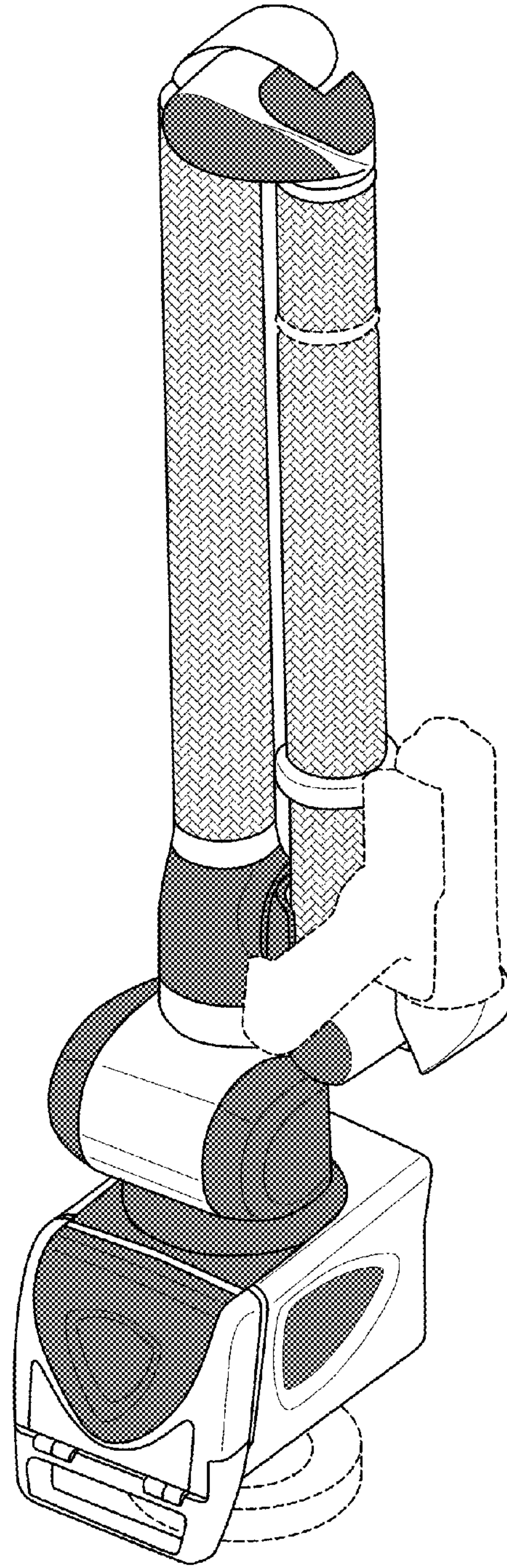
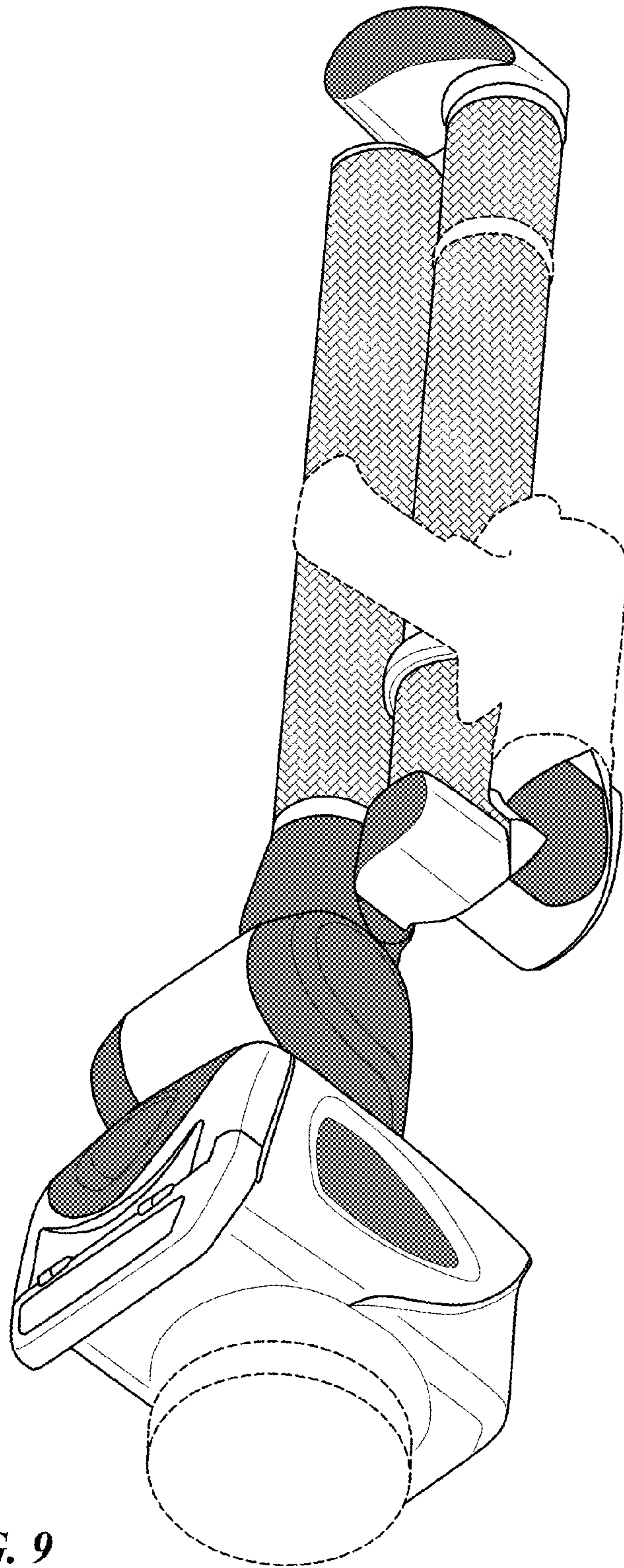
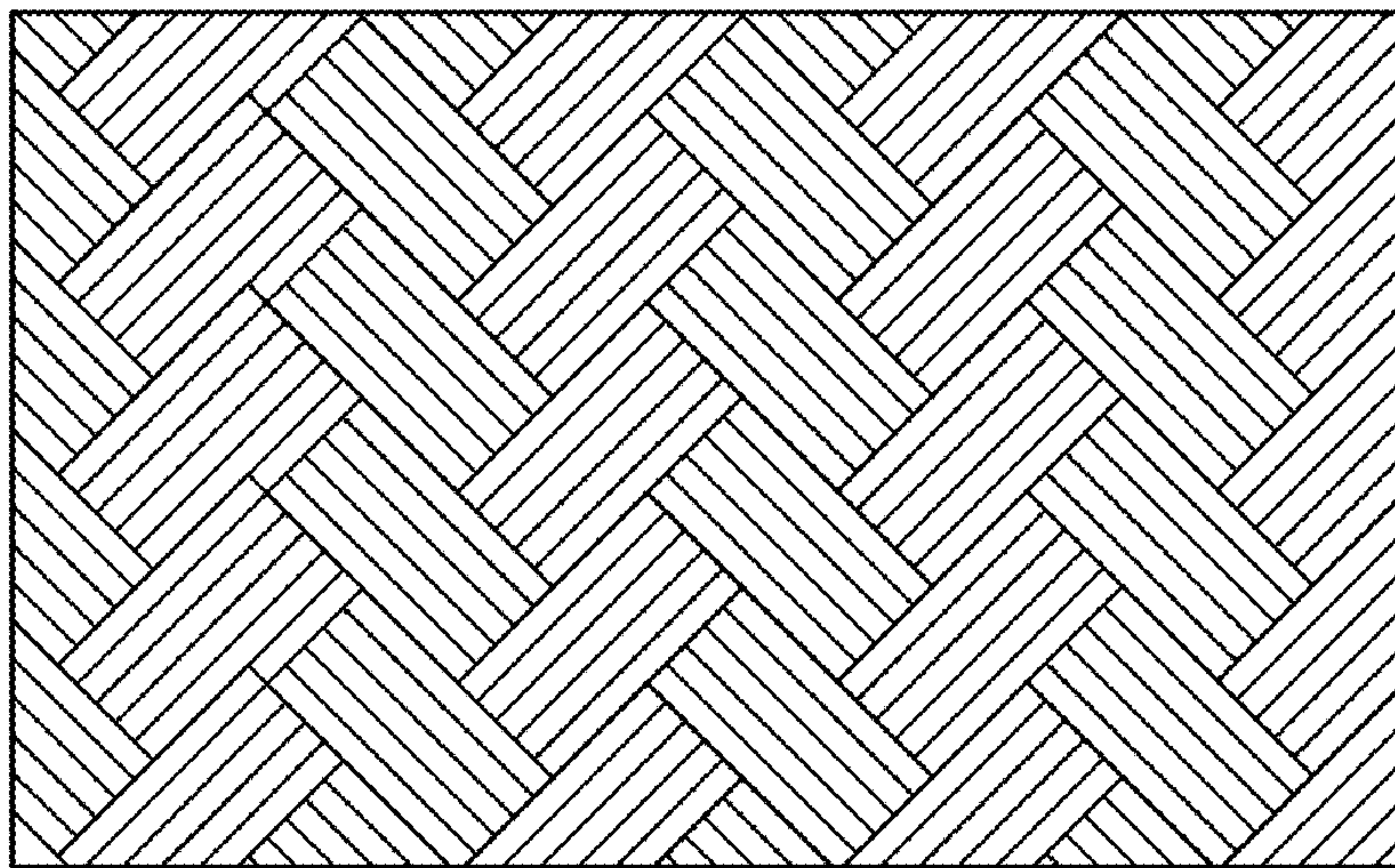


FIG. 8



**FIG. 9**





*FIG. 10*