



US00D676340S

(12) **United States Design Patent**
Reefer

(10) **Patent No.:** **US D676,340 S**

(45) **Date of Patent:** **** Feb. 19, 2013**

(54) **RETRACTABLE FOOD PORTION
MEASURING APPARATUS**

D484,000 S 12/2003 Levien
8,020,439 B2 * 9/2011 Gougian 73/426
2010/0282761 A1 11/2010 Barreca

(76) Inventor: **Marcia Reefer**, New York, NY (US)

* cited by examiner

(**) Term: **14 Years**

Primary Examiner — Terry Wallace

(74) *Attorney, Agent, or Firm* — QuickPatents, Inc.; Kevin Prince

(21) Appl. No.: **29/398,539**

(22) Filed: **Aug. 1, 2011**

(51) **LOC (9) Cl.** **10-04**

(52) **U.S. Cl.** **D10/46.3**

(58) **Field of Classification Search** D10/46.2,
D10/46.3; 73/426-429; 33/524, 755, 759,
33/555.2

See application file for complete search history.

(57) **CLAIM**

I claim the ornamental design for a retractable food portion measuring apparatus, as shown and described.

DESCRIPTION

FIG. 1 is a perspective view of a retractable food portion measuring apparatus, showing a first embodiment of my new design;

FIG. 2 is a top plan view thereof;

FIG. 3 is a bottom plan view thereof;

FIG. 4 is a front elevational view thereof;

FIG. 5 is a left-side elevational view thereof;

FIG. 6 is a rear elevational view thereof;

FIG. 7 is a right-side elevational view thereof;

FIG. 8 is a perspective view of a second embodiment thereof;

FIG. 9 is a top plan view of FIG. 8;

FIG. 10 is a bottom plan view of FIG. 8;

FIG. 11 is a front elevational view of FIG. 8;

FIG. 12 is a left-side elevational view of FIG. 8;

FIG. 13 is a rear elevational view of FIG. 8; and,

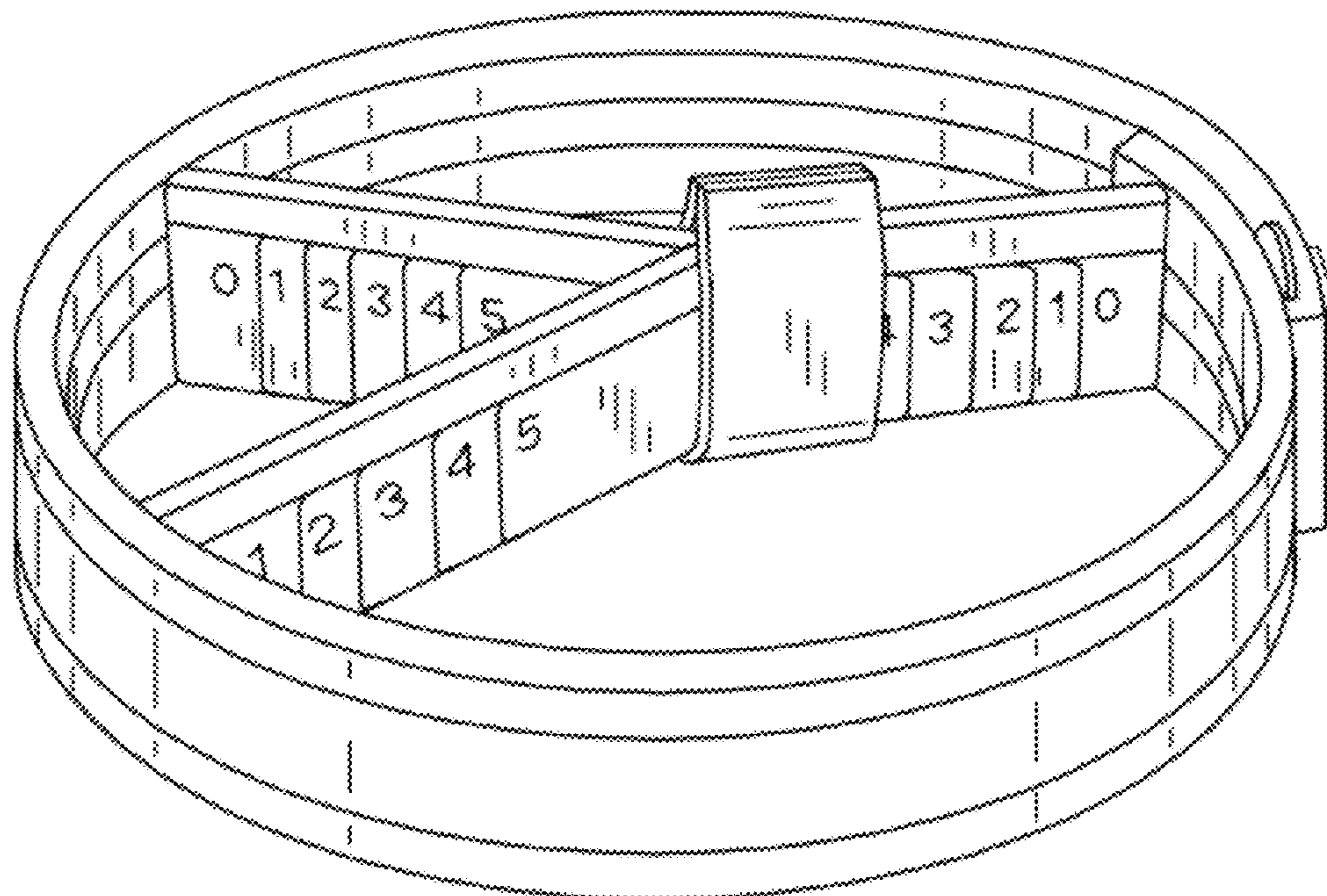
FIG. 14 is a right side elevation view of FIG. 8.

(56) **References Cited**

U.S. PATENT DOCUMENTS

890,390	A	6/1908	Zinn	
1,038,644	A	9/1912	Phin	
D118,377	S	1/1940	Loveland	
2,546,800	A	3/1951	Thiac	
D232,613	S	9/1974	Cheladze	
3,874,085	A *	4/1975	Atkins	33/524
4,214,369	A *	7/1980	Wasik et al.	33/759
4,333,241	A *	6/1982	Wasik et al.	33/524
D269,933	S	8/1983	Daenen	
D281,301	S *	11/1985	Spolar	D10/46.2
D384,861	S	10/1997	Richard	
D434,605	S	12/2000	Littlejohn	

1 Claim, 6 Drawing Sheets



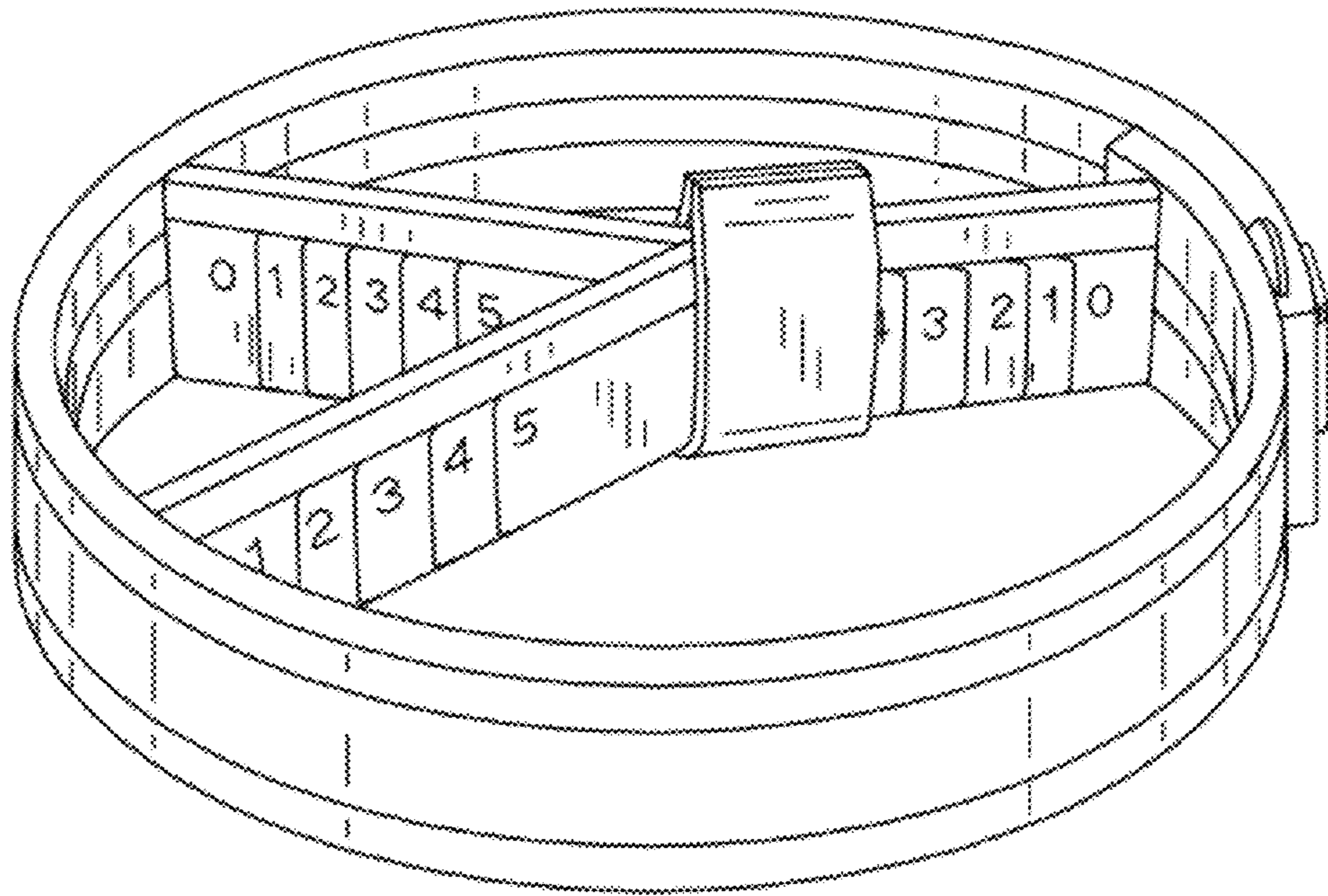


FIG. 1

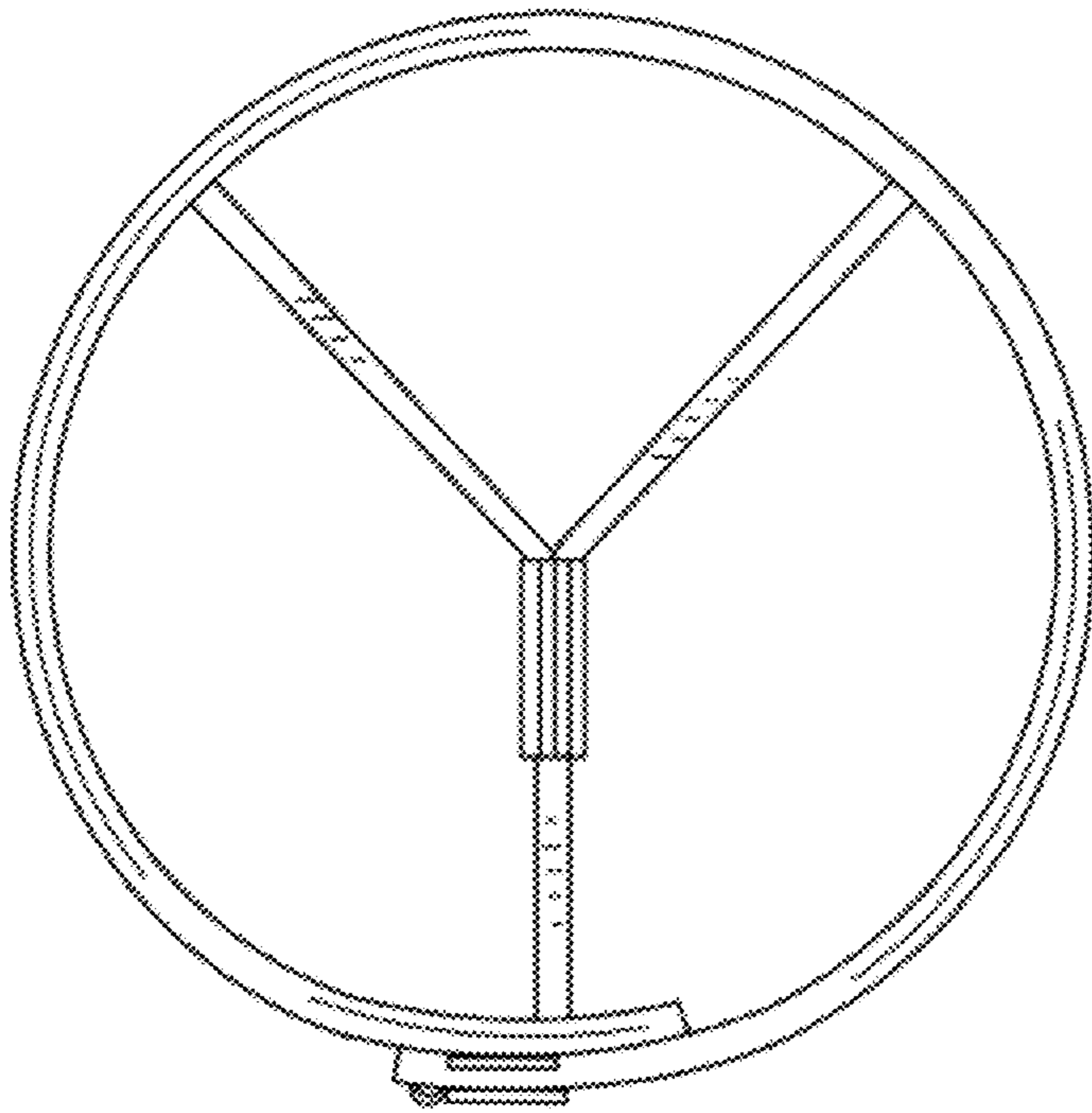


FIG. 2

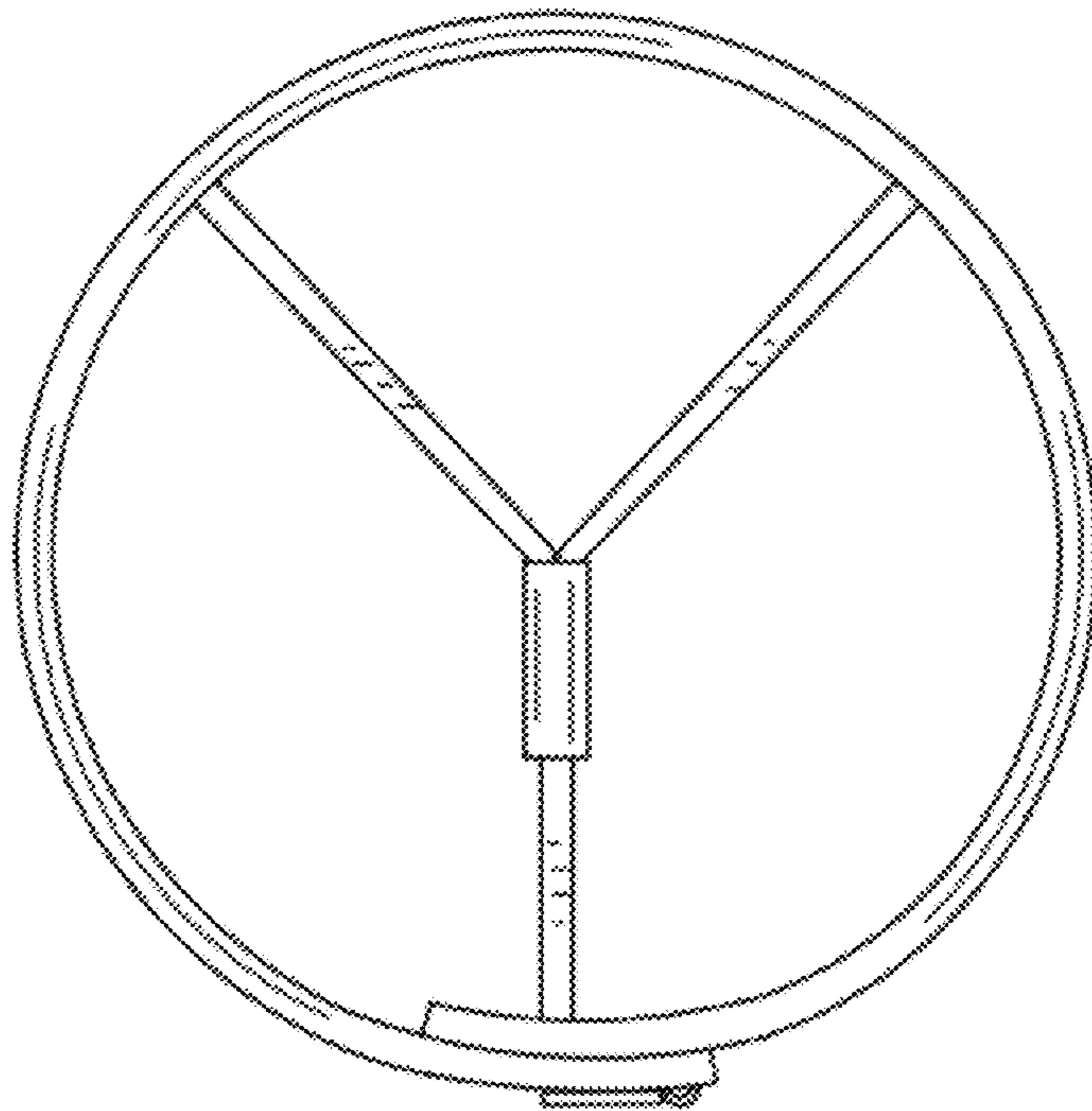


FIG. 3

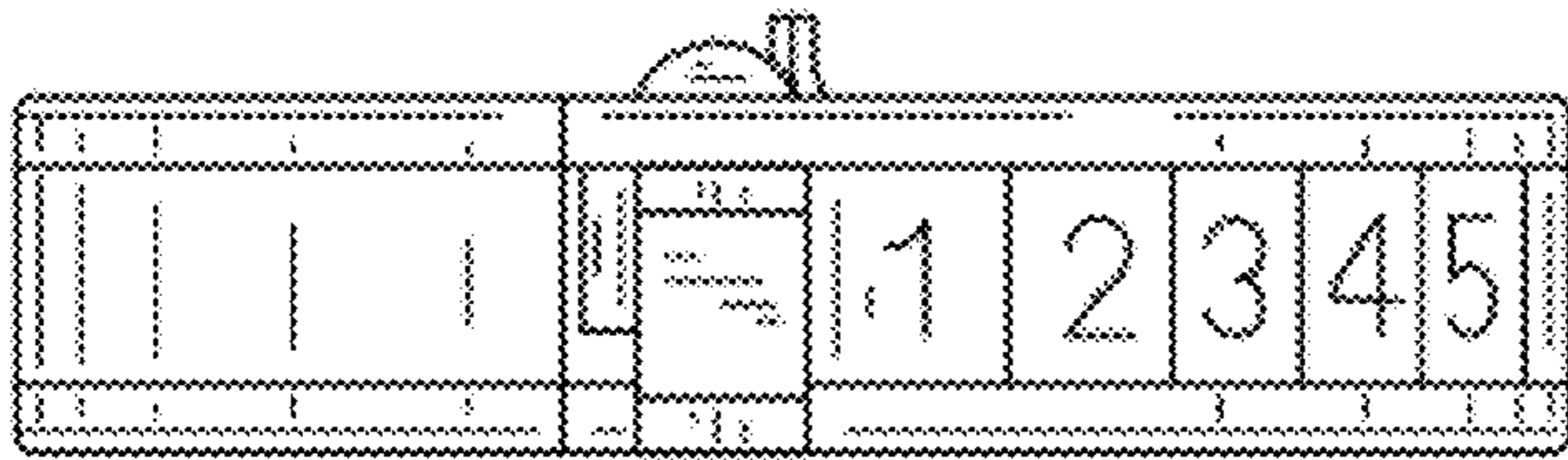


FIG. 4

FIG. 5

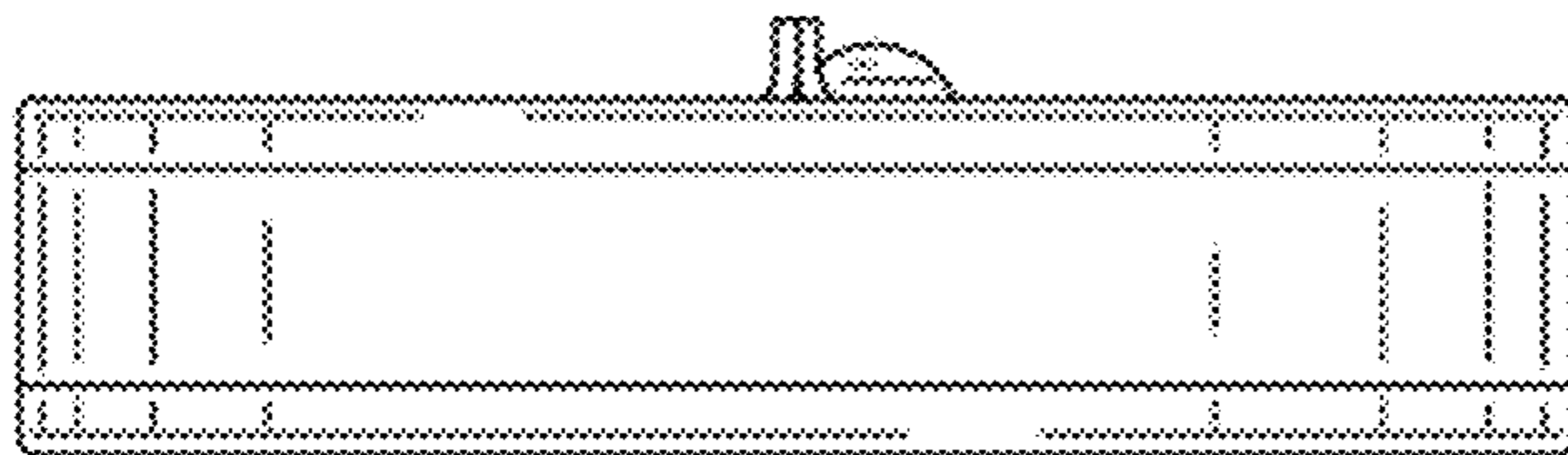
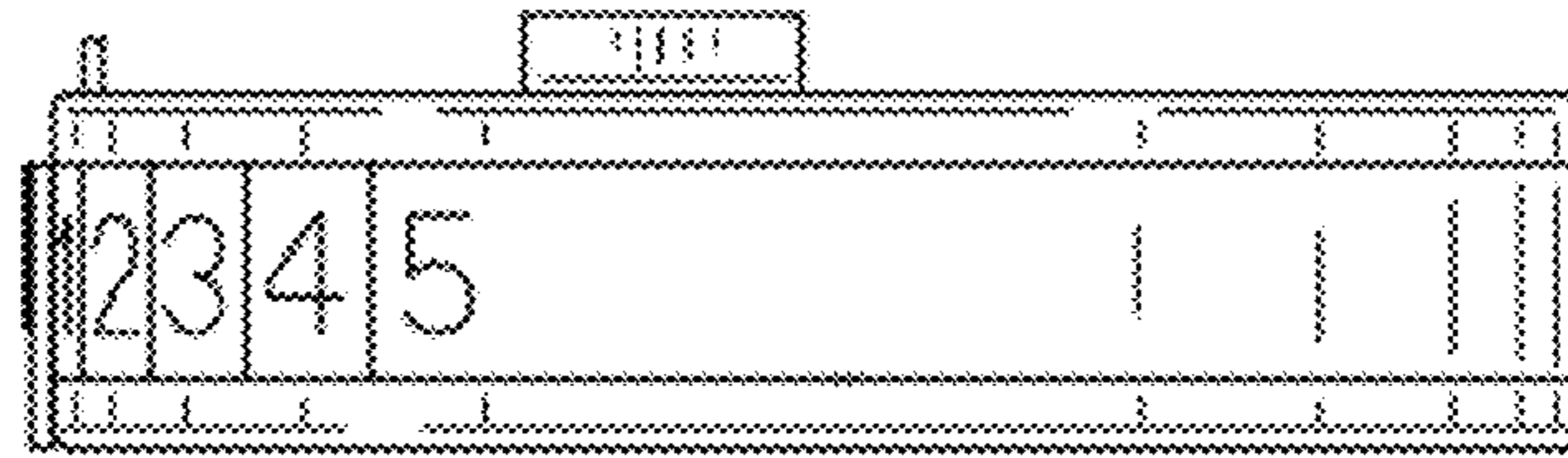
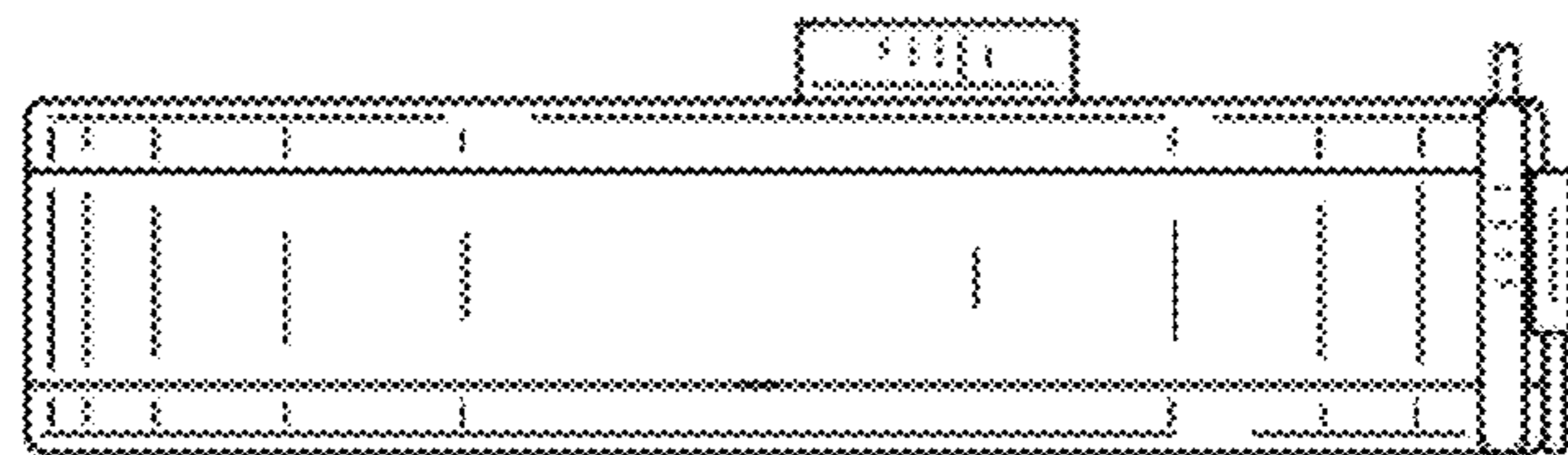


FIG. 6

FIG. 7



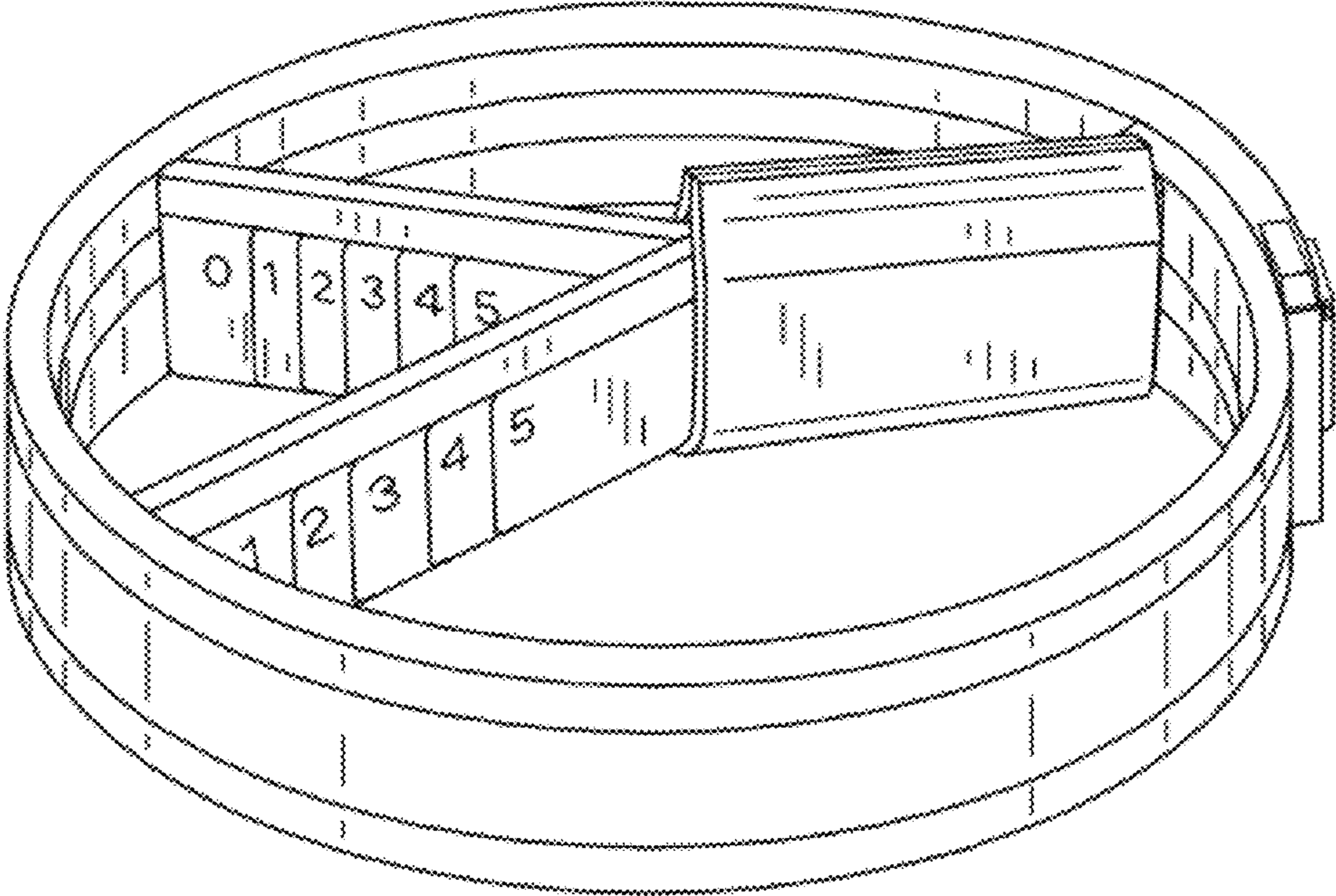


FIG. 8

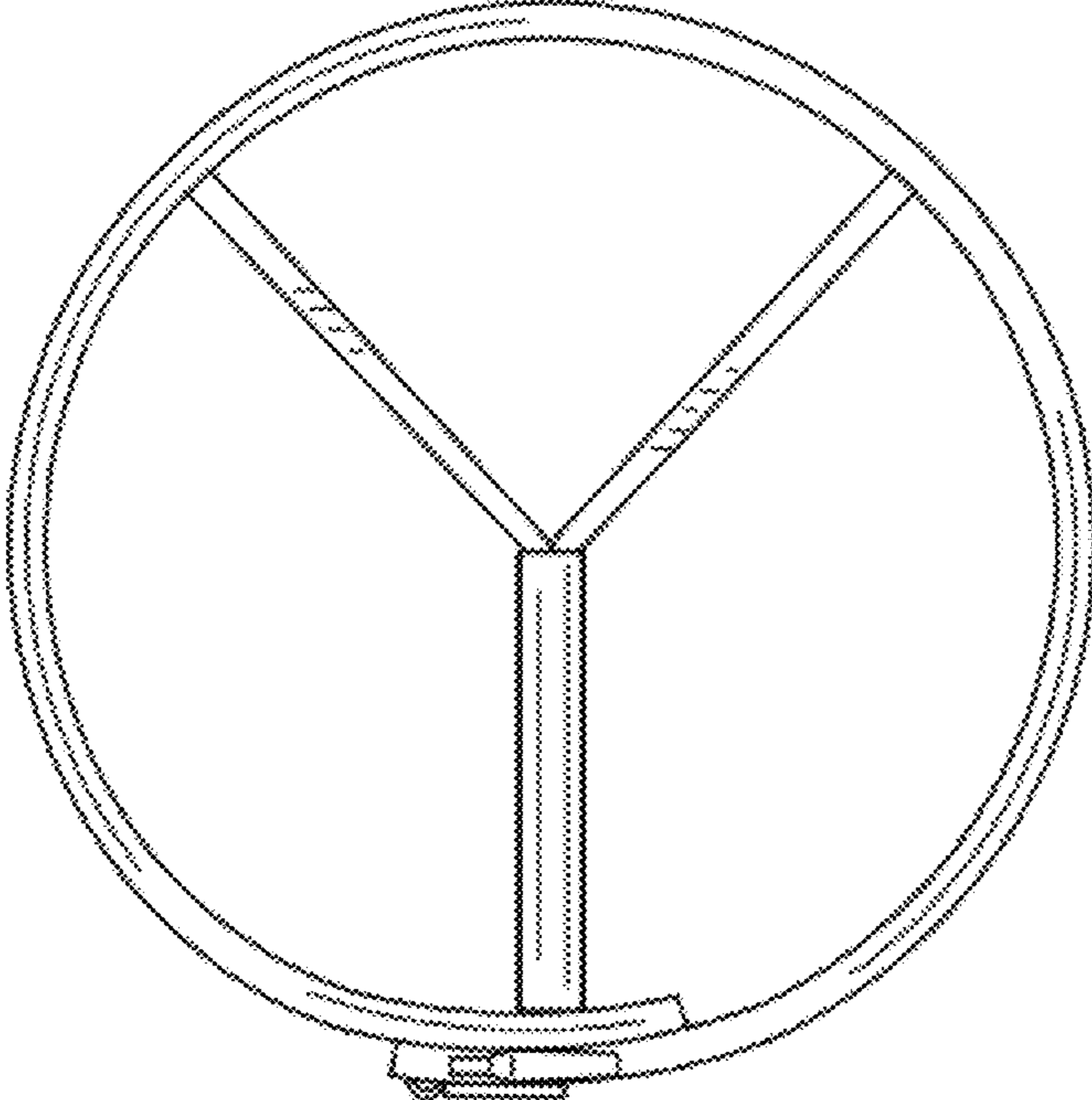


FIG. 9

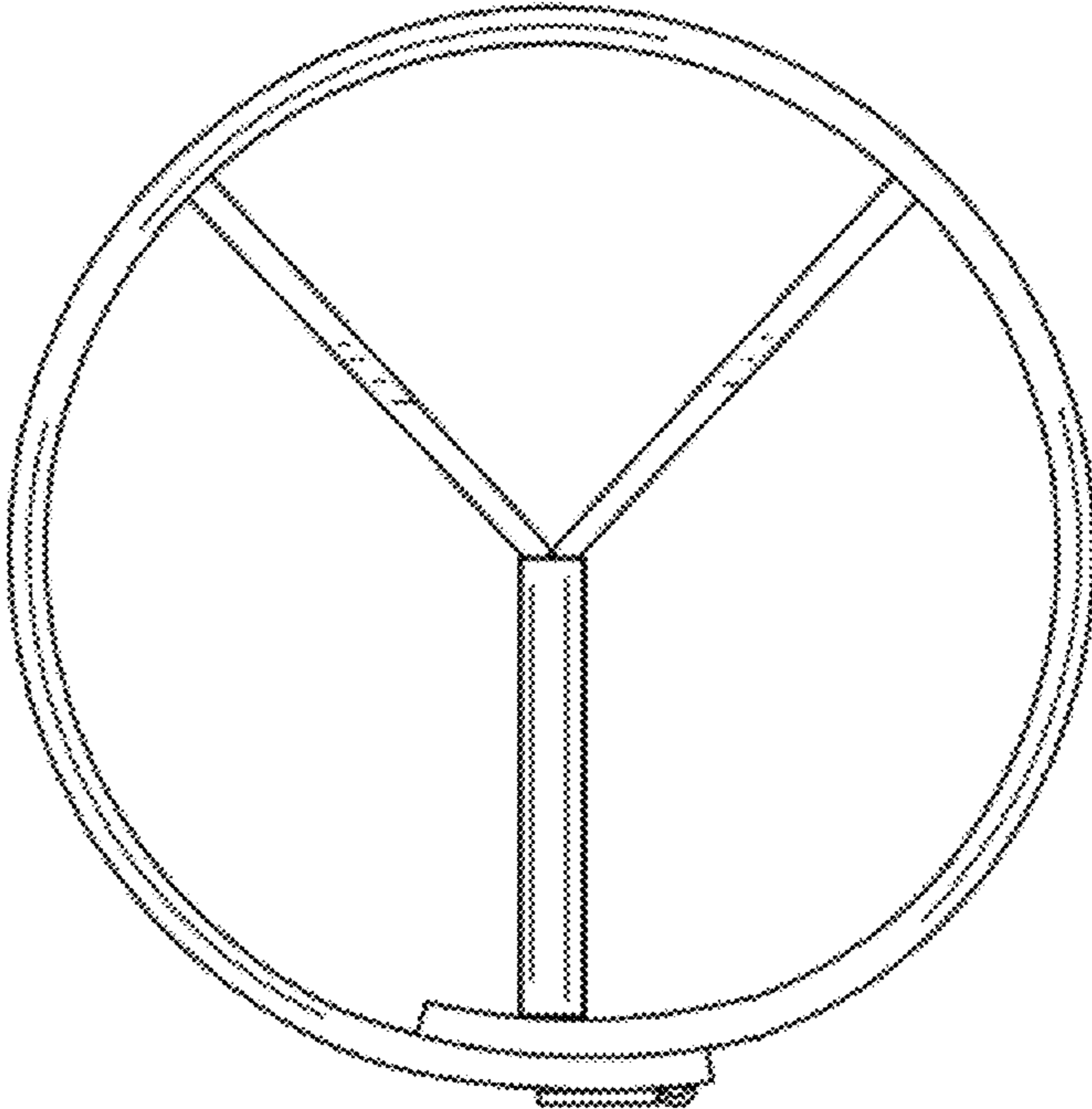


FIG. 10

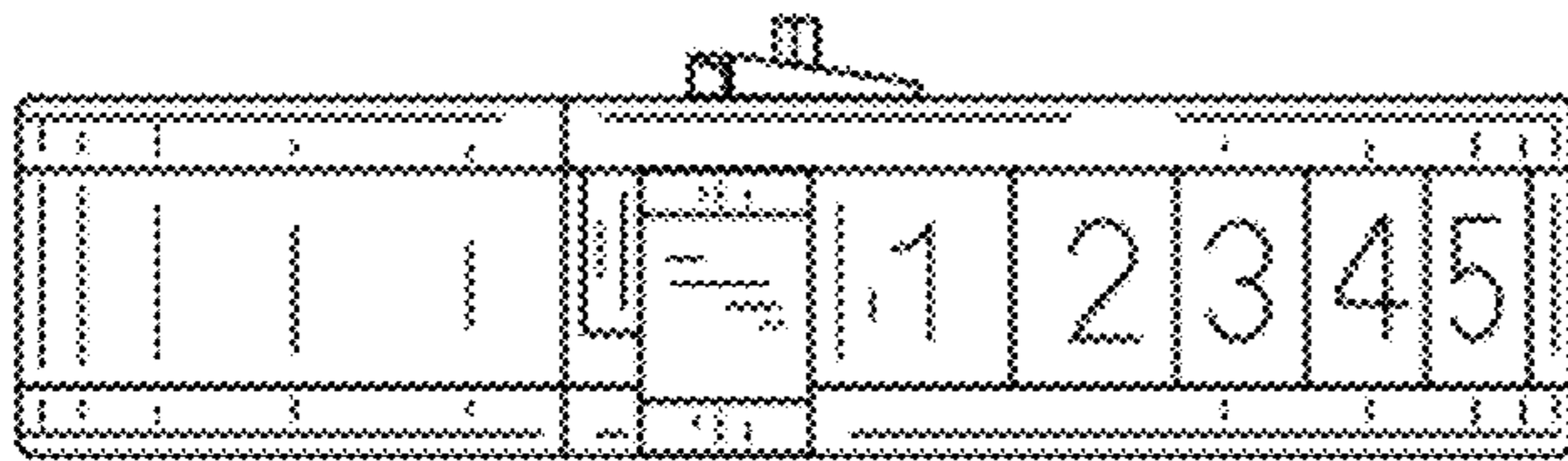


FIG. 11

FIG. 12

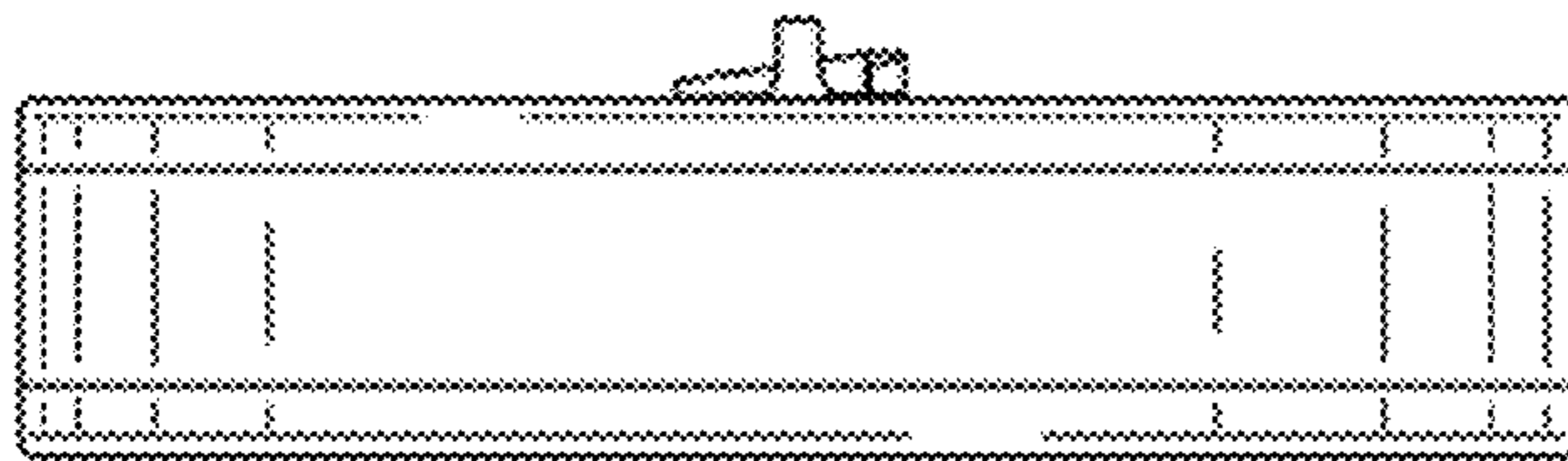
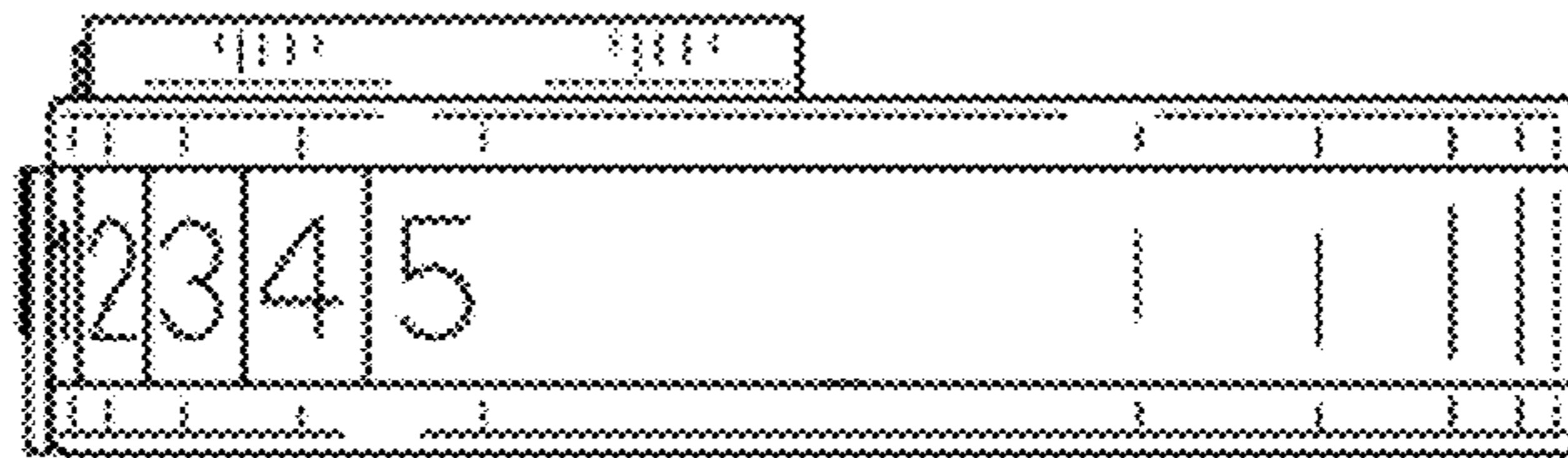


FIG. 13

FIG. 14

