



US00D676334S

(12) **United States Design Patent**  
**McDermott et al.**

(10) **Patent No.:** **US D676,334 S**  
(45) **Date of Patent:** **\*\* Feb. 19, 2013**

- (54) **CONDIMENT CONTAINER**
- (75) Inventors: **Dave McDermott**, Waddington (GB);  
**Luc Vets**, Lille (BE)
- (73) Assignee: **H.J. Heinz Company**, Pittsburgh, PA  
(US)
- (\*\*) Term: **14 Years**
- (21) Appl. No.: **29/406,265**
- (22) Filed: **Nov. 11, 2011**
- (51) **LOC (9) Cl.** ..... **09-05**
- (52) **U.S. Cl.** ..... **D9/707**
- (58) **Field of Classification Search** ..... D9/702-714,  
D9/761, 731, 414, 418, 430-432, 520-521,  
D9/438, 695-699, 416, 732; D7/590, 600.1;  
215/328; 222/92, 105, 215, 145.1, 95, 183,  
222/107; 383/9, 22, 59-60, 901, 207, 209;  
D24/118, 207, 108, 104; 128/114.1, DIG. 24  
See application file for complete search history.

- 4,872,597 A 10/1989 Hanafusa
- 4,921,137 A 5/1990 Heijenga
- 4,963,045 A 10/1990 Willcox
- 4,989,419 A 2/1991 Brando et al.
- D317,690 S 6/1991 Thomsen
- D318,795 S 8/1991 Christine
- 5,038,974 A 8/1991 DaCosta
- 5,111,932 A 5/1992 Campbell
- 5,141,136 A 8/1992 Tignor
- 5,156,329 A 10/1992 Farrell
- D336,034 S 6/1993 Rebilas
- 5,235,149 A 8/1993 Boehrer
- 5,277,920 A 1/1994 Weaver, Jr.
- D351,228 S 10/1994 Weiler et al.
- D354,906 S 1/1995 Lane, Jr. et al.
- 5,411,178 A 5/1995 Roders et al.

(Continued)

**FOREIGN PATENT DOCUMENTS**

- FR 2801570 6/2001
- WO WO9728054 8/1997

(Continued)

*Primary Examiner* — Caron D Veynar  
*Assistant Examiner* — Abraham Bahta

(74) *Attorney, Agent, or Firm* — Duane Morris LLP

(56) **References Cited**

**U.S. PATENT DOCUMENTS**

- 2,705,579 A 4/1955 Mason
- 2,898,003 A 8/1959 Wilson et al.
- 3,315,801 A 4/1967 Lowry
- 3,370,757 A 2/1968 Foster
- 3,407,969 A 10/1968 Klein et al.
- 3,453,661 A 7/1969 Repko
- 3,660,960 A 5/1972 Inman
- 3,722,754 A 3/1973 Struble
- 3,873,735 A 3/1975 Chalin et al.
- 4,090,660 A 5/1978 Schram et al.
- 4,301,926 A 11/1981 Chung
- 4,463,869 A 8/1984 Lewis
- 4,566,613 A 1/1986 Anscorb
- 4,648,506 A 3/1987 Campbell
- 4,673,085 A 6/1987 Badouard et al.
- 4,717,046 A 1/1988 Brogli
- 4,762,124 A 8/1988 Kerch et al.
- 4,765,463 A 8/1988 Chanel
- 4,863,036 A 9/1989 Heijenga
- 4,871,091 A 10/1989 Preziosi

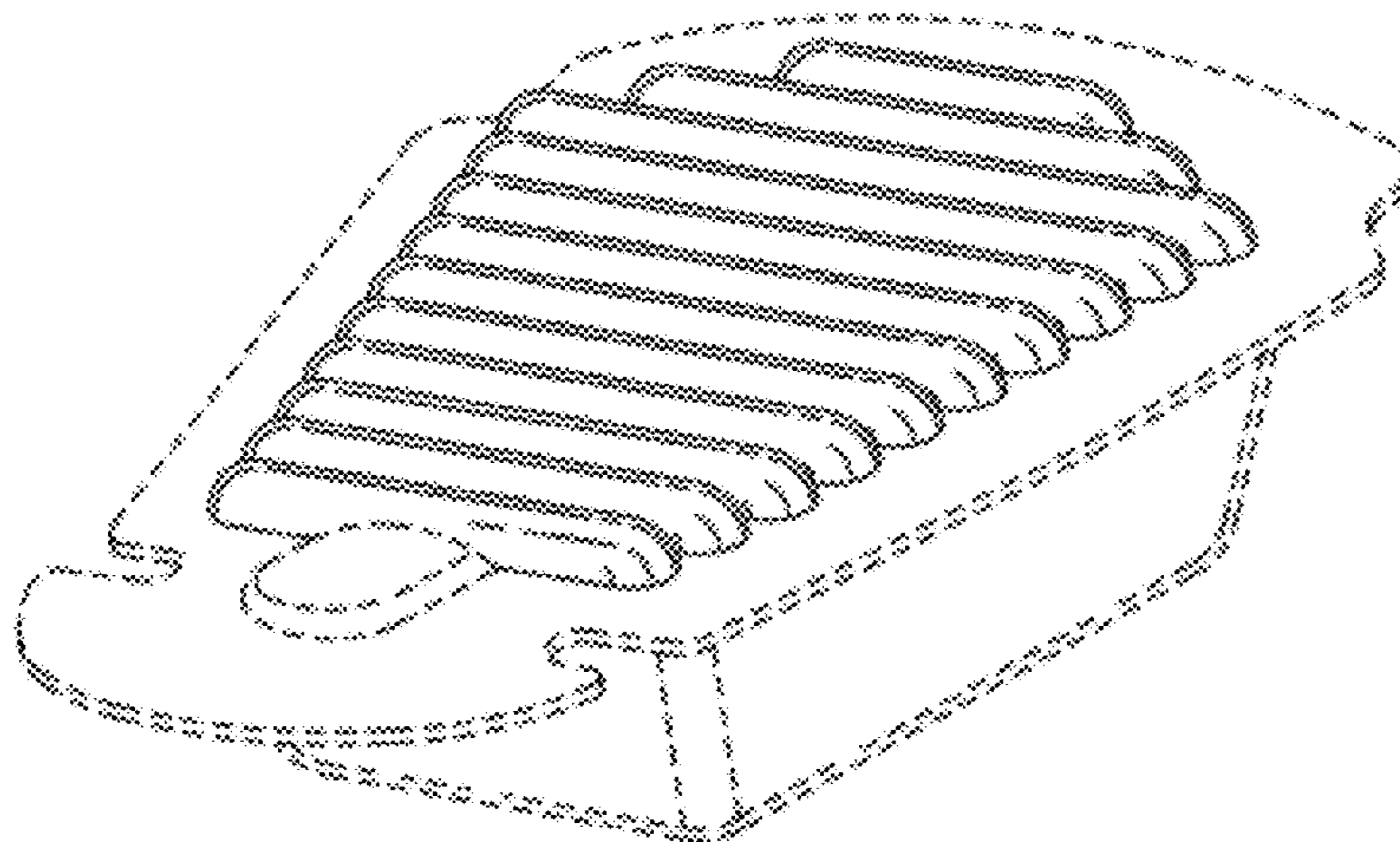
(57) **CLAIM**

The ornamental design for a condiment container, as shown and described.

**DESCRIPTION**

FIG. 1 is a perspective view of the condiment container;  
FIG. 2 is a top view of the condiment container;  
FIG. 3 a bottom view of the condiment container;  
FIG. 4 is a front view of the condiment container, the left-side view being a mirror image thereof;  
FIG. 5 is a rear view of the condiment container; and  
FIG. 6 is a right-side view of the condiment container; and,  
FIG. 7 is a left-side view of the condiment container.  
The broken line showing of structure is for illustrative purposes only, and forms no part of the claimed design.

**1 Claim, 3 Drawing Sheets**



# US D676,334 S

Page 2

## U.S. PATENT DOCUMENTS

D362,595 S 9/1995 Schneider  
5,482,172 A 1/1996 Braddock  
5,529,224 A 6/1996 Chan et al.  
5,546,728 A 8/1996 Dekeyser  
5,613,517 A 3/1997 Handler  
5,662,245 A 9/1997 Grant  
5,706,961 A 1/1998 Morano  
5,799,838 A 9/1998 Miller  
5,806,726 A 9/1998 Ho  
5,839,609 A 11/1998 Zakensberg  
D416,477 S 11/1999 Flint  
5,996,845 A 12/1999 Chan  
6,007,264 A 12/1999 Koptis  
6,051,263 A 4/2000 Gorlich et al.  
6,062,413 A 5/2000 Redmond  
6,085,942 A 7/2000 Redmond  
6,089,375 A 7/2000 Johnson et al.  
D435,440 S 12/2000 Croft et al.  
6,220,311 B1 4/2001 Litto  
D442,078 S 5/2001 Fuquen  
D448,661 S 10/2001 Kerr et al.  
6,357,631 B1 3/2002 Zaksenberg  
6,419,118 B1 7/2002 Rees et al.  
6,435,374 B1 8/2002 Tabaroni  
6,460,781 B1 10/2002 Garcia et al.  
6,557,731 B1 5/2003 Lyon et al.  
6,601,737 B1 8/2003 Sandler  
6,648,140 B2 11/2003 Petricca  
6,663,019 B2 12/2003 Garcia et al.  
D484,972 S 1/2004 Steele, IV et al.  
6,702,462 B2 3/2004 Richardson  
6,811,057 B2 11/2004 Duquet et al.  
6,854,888 B1 2/2005 Brown et al.  
6,863,178 B2 3/2005 Sokolsky et al.  
D505,861 S 6/2005 Risgalla

6,955,028 B1 10/2005 Dunaway  
D512,648 S 12/2005 Smith et al.  
7,004,322 B1 2/2006 Bartoli  
D523,758 S 6/2006 Risgalla  
D537,341 S 2/2007 Liebe et al.  
RE39,520 E 3/2007 Hess, III et al.  
D553,007 S 10/2007 Goodwin et al.  
D555,011 S 11/2007 Spanjaard  
D580,782 S 11/2008 Murray  
7,506,762 B2 3/2009 Nelson et al.  
D598,299 S 8/2009 Isogai et al.  
D604,637 S 11/2009 Ueda  
D621,719 S \* 8/2010 Caldwell et al. .... D9/707  
D628,903 S \* 12/2010 Caldwell et al. .... D9/711  
D632,565 S \* 2/2011 Caldwell et al. .... D9/435  
D632,566 S \* 2/2011 Caldwell et al. .... D9/435  
D632,567 S \* 2/2011 Caldwell et al. .... D9/435  
D632,570 S \* 2/2011 Caldwell et al. .... D9/435  
D634,643 S \* 3/2011 Caldwell et al. .... D9/707  
D641,642 S \* 7/2011 Caldwell et al. .... D9/707  
2001/0045374 A1 11/2001 Selker  
2002/0100760 A1 8/2002 Rinks  
2002/0148855 A1 10/2002 Sokolsky et al.  
2003/0015605 A1 1/2003 Garcia et al.  
2003/0183637 A1 10/2003 Zappa et al.  
2006/0278562 A1 12/2006 Van Puijenbroek  
2007/0034647 A1 2/2007 Patrick  
2007/0164045 A1 7/2007 Wydler et al.  
2007/0228073 A1 10/2007 Mazzarino  
2010/0008602 A1 1/2010 Risgalla

## FOREIGN PATENT DOCUMENTS

WO WO02070352 9/2002  
WO WO2004063048 7/2004  
WO WO2007126817 11/2007

\* cited by examiner

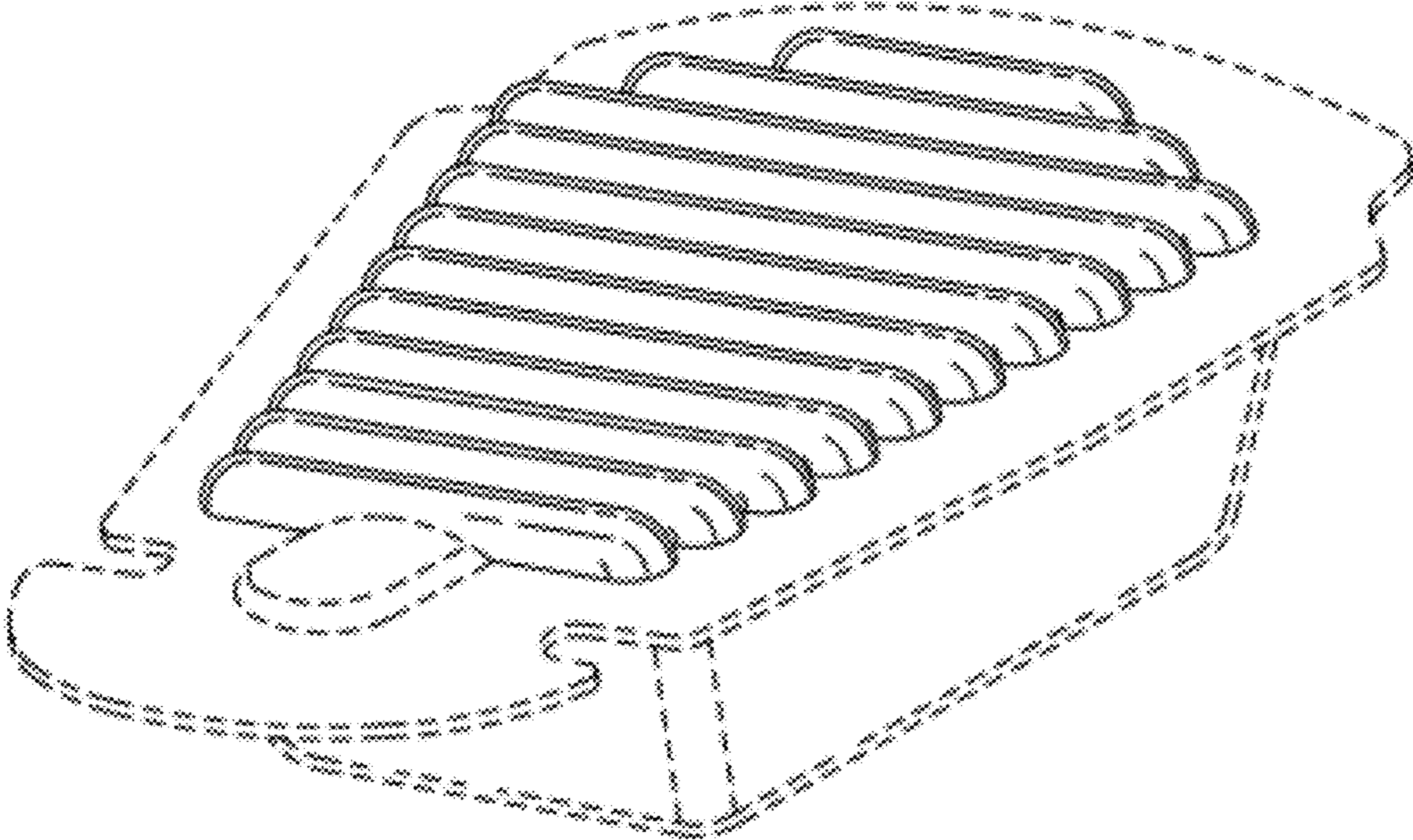


FIG. 1



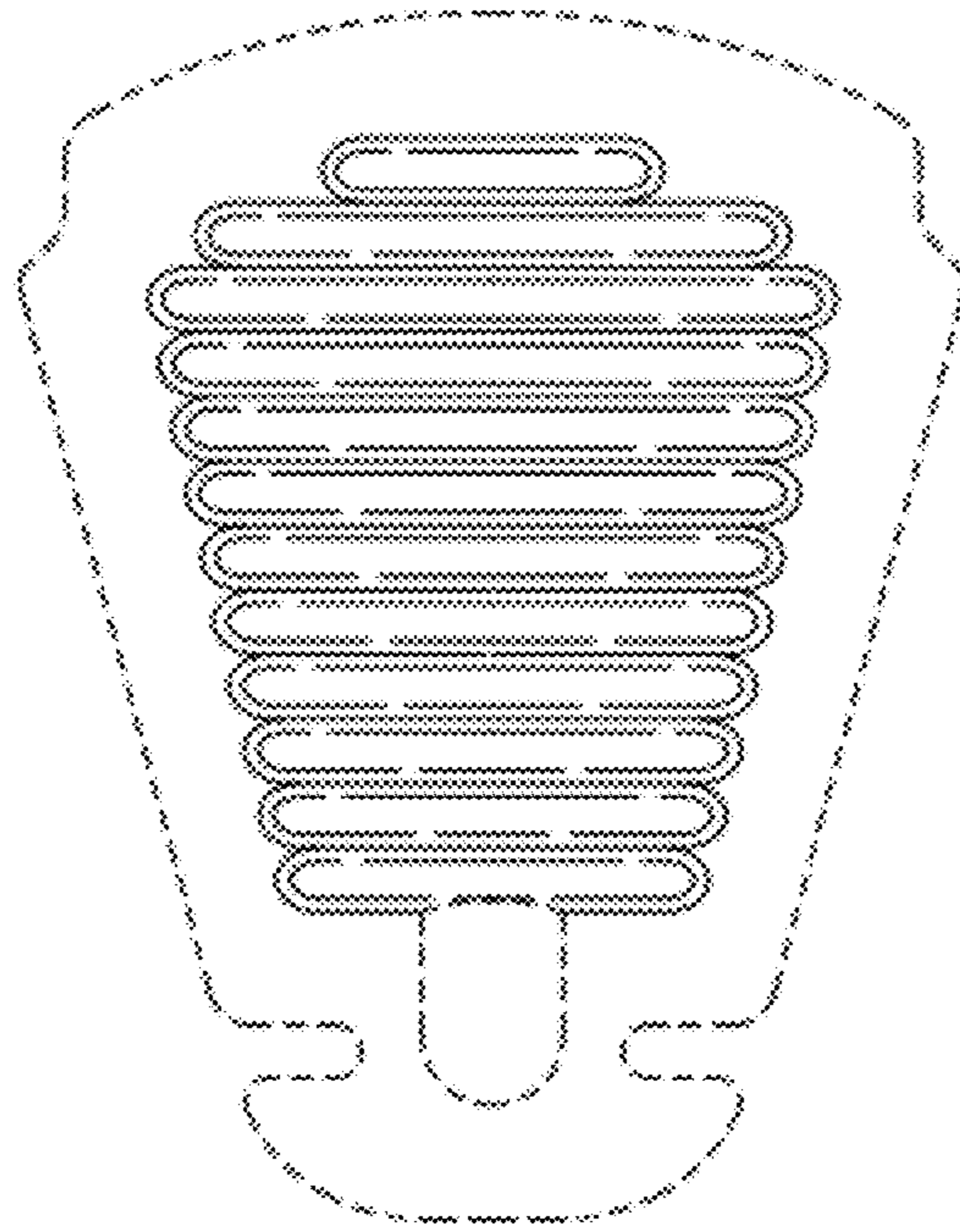


FIG. 2

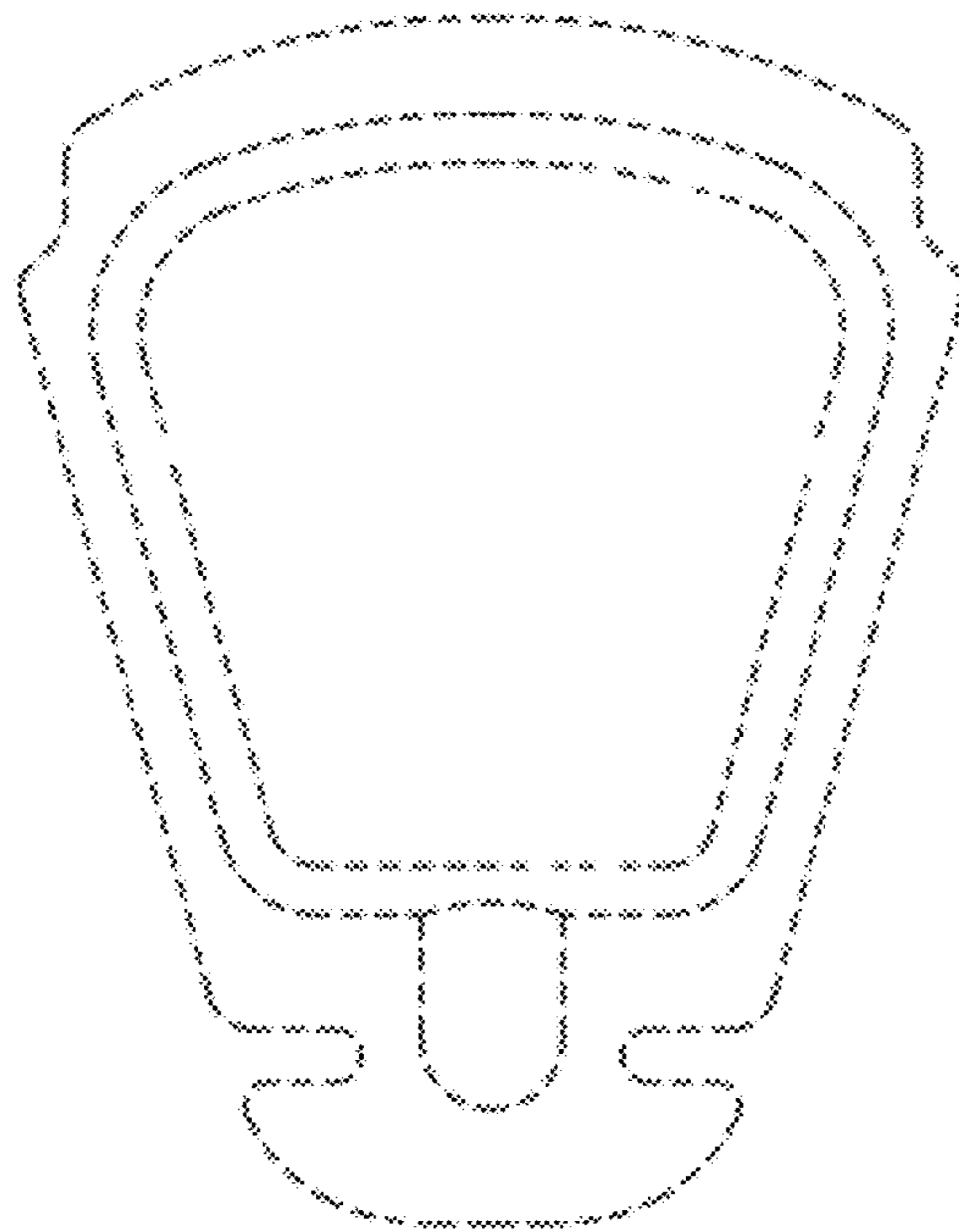


FIG. 3

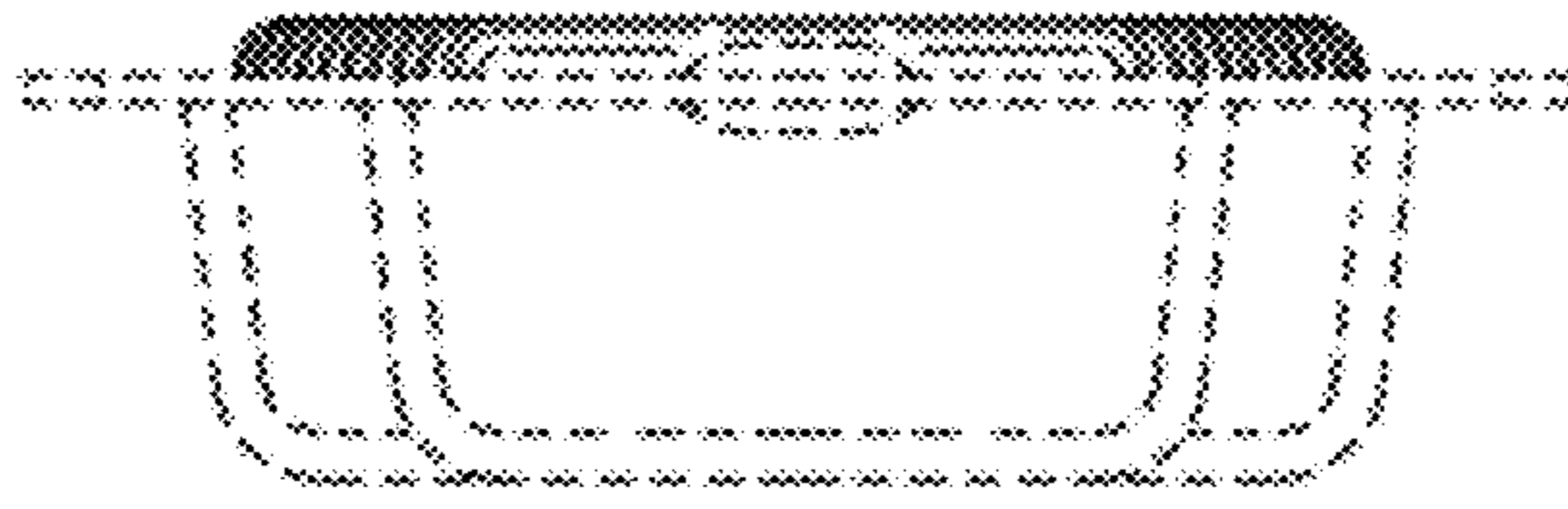


FIG. 4

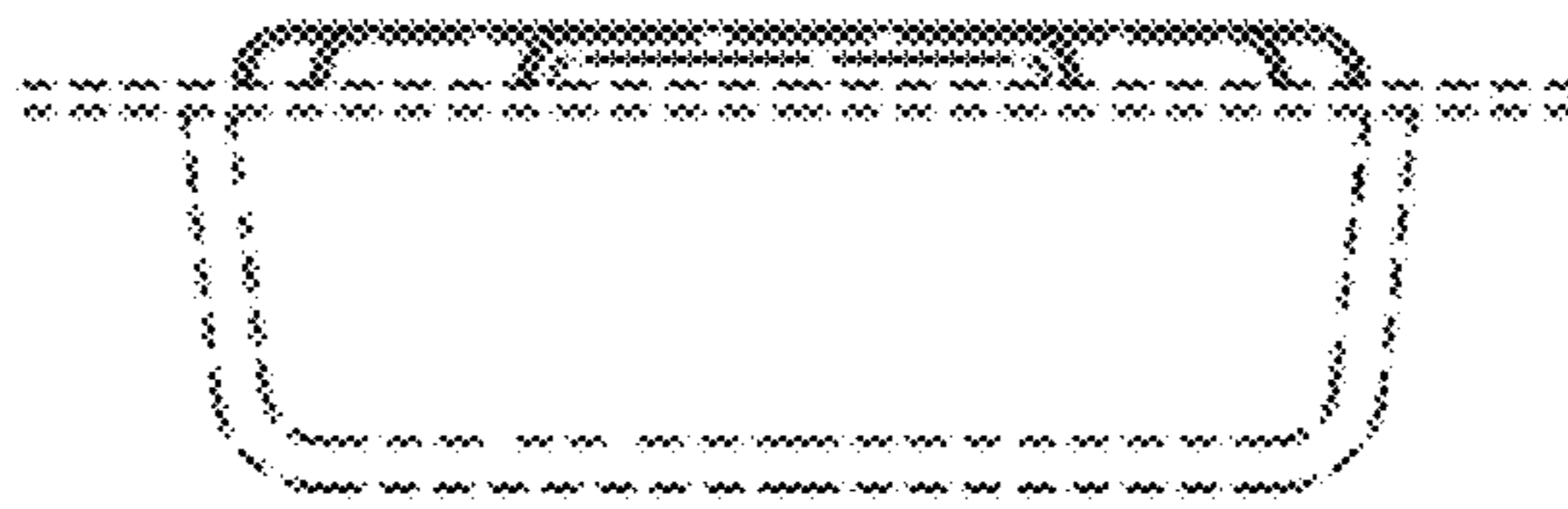


FIG. 5

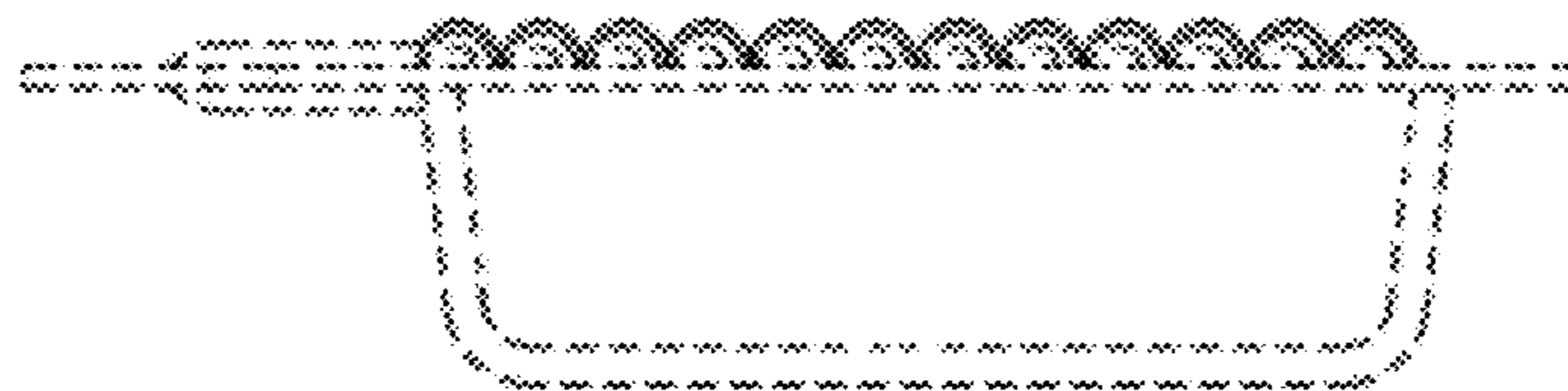


FIG. 6

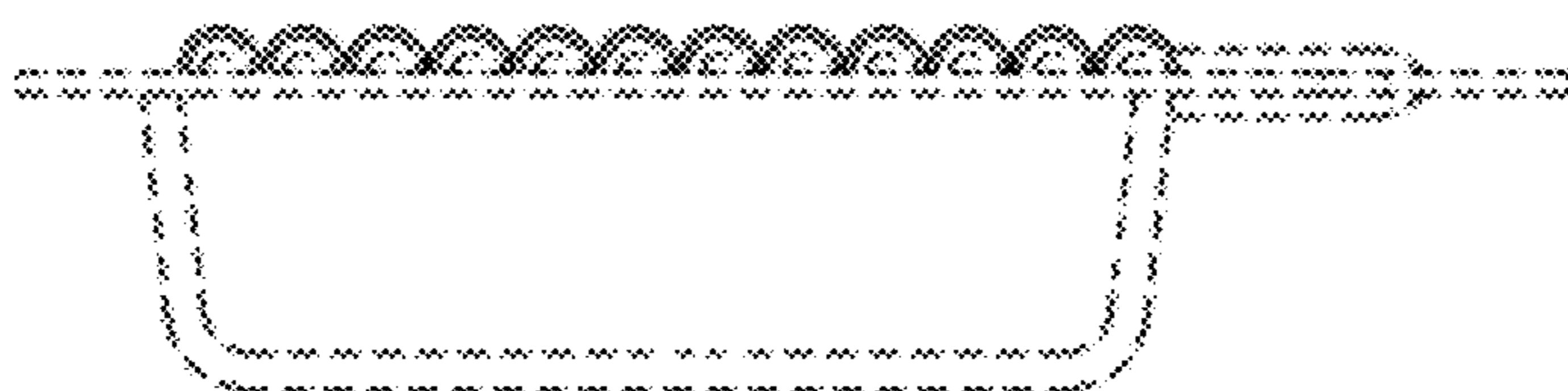


FIG. 7