



US00D676328S

(12) **United States Design Patent**
Yourist

(10) **Patent No.:** **US D676,328 S**

(45) **Date of Patent:** **** Feb. 19, 2013**

(54) **PLASTIC CONTAINER**

(75) Inventor: **Sheldon E. Yourist**, York, PA (US)

(73) Assignee: **Graham Packaging Company, L.P.**,
York, PA (US)

(**) Term: **14 Years**

(21) Appl. No.: **29/403,801**

(22) Filed: **Oct. 11, 2011**

(51) **LOC (9) Cl.** **09-01**

(52) **U.S. Cl.** **D9/531; D9/540; D9/551; D9/556**

(58) **Field of Classification Search** D9/434,
D9/502, 516, 530, 531, 537, 538, 540, 543,
D9/551, 556, 571, 575; 215/381-385; 220/660,
220/662, 675

See application file for complete search history.

(56) **References Cited**

U.S. PATENT DOCUMENTS

D254,596	S	*	4/1980	Spigelman	D9/522
D273,278	S	*	4/1984	Hayes	D9/434
D273,367	S	*	4/1984	Hayes	D9/434
D273,368	S	*	4/1984	Hayes	D9/434
D315,869	S	*	4/1991	Collette	D9/551
D397,614	S	*	9/1998	Krishnakumar et al.	D9/520
D419,882	S	*	2/2000	Bretz et al.	D9/520
D420,592	S	*	2/2000	Bretz et al.	D9/520
D445,693	S	*	7/2001	Rashid	D9/538
D466,819	S	*	12/2002	Darr et al.	D9/559
D470,773	S	*	2/2003	Darr et al.	D9/538
D476,236	S	*	6/2003	Ungrady et al.	D9/538
D485,765	S	*	1/2004	Thierjung et al.	D9/538
6,913,159	B1		7/2005	Goldberg		

D525,530	S	*	7/2006	Livingston et al.	D9/538
D531,042	S	*	10/2006	Venkataraman et al.	D9/551
7,228,982	B2	*	6/2007	Nielson	215/396
D548,106	S	*	8/2007	Martinez et al.	D9/607
D591,609	S	*	5/2009	Shmagin	D9/667
7,661,548	B2	*	2/2010	Shmagin	215/381
D623,529	S	*	9/2010	Yourist et al.	D9/538
D626,848	S	*	11/2010	Chewning et al.	D9/538
2006/0124579	A1		6/2006	Nielson		
2009/0261059	A1	*	10/2009	Pritchett, Jr.	215/381
2011/0073556	A1	*	3/2011	Yourist et al.	215/11.1

* cited by examiner

Primary Examiner — Keli L Hill

(74) *Attorney, Agent, or Firm* — The Patentwise Group, LLC

(57) **CLAIM**

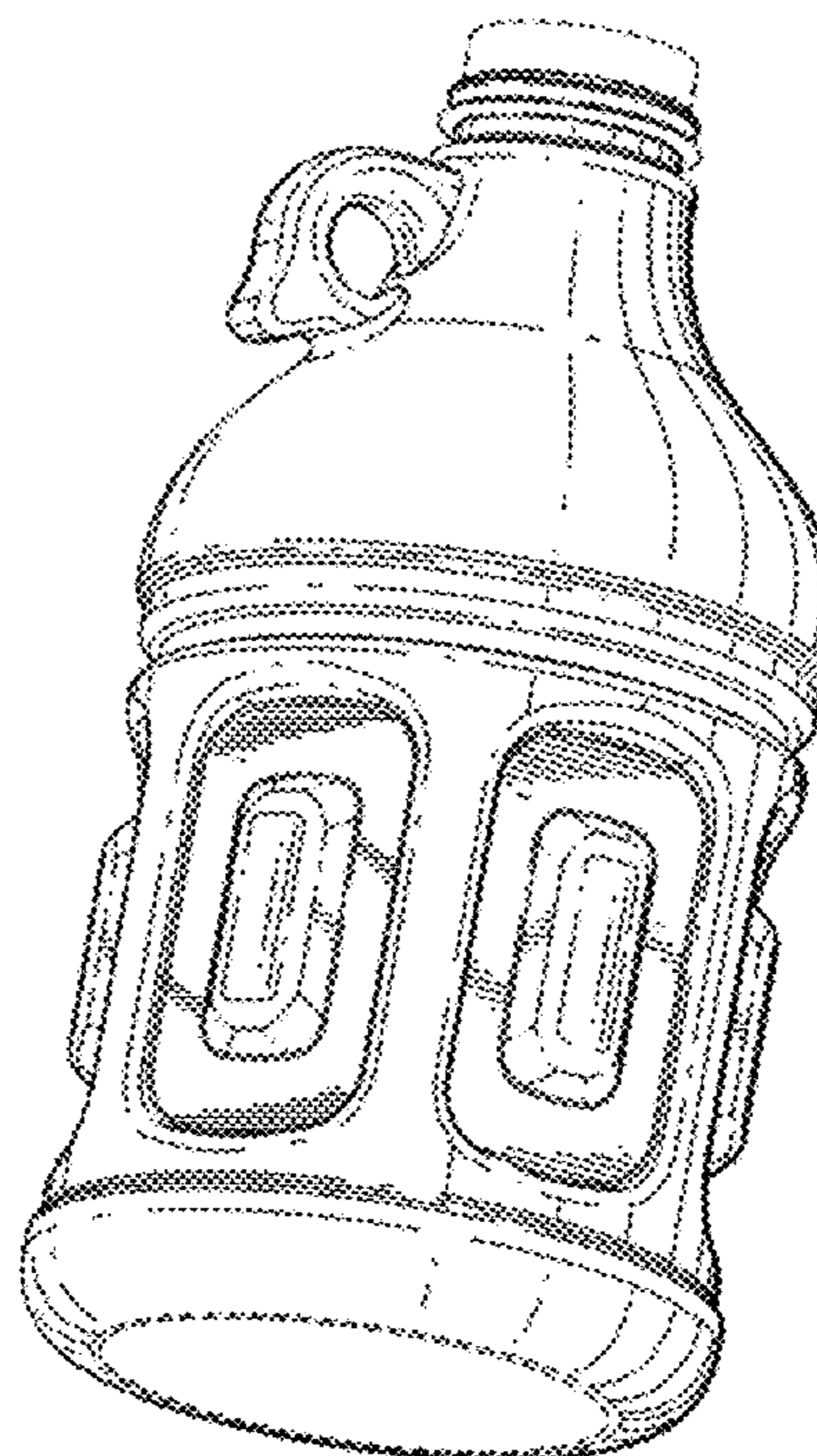
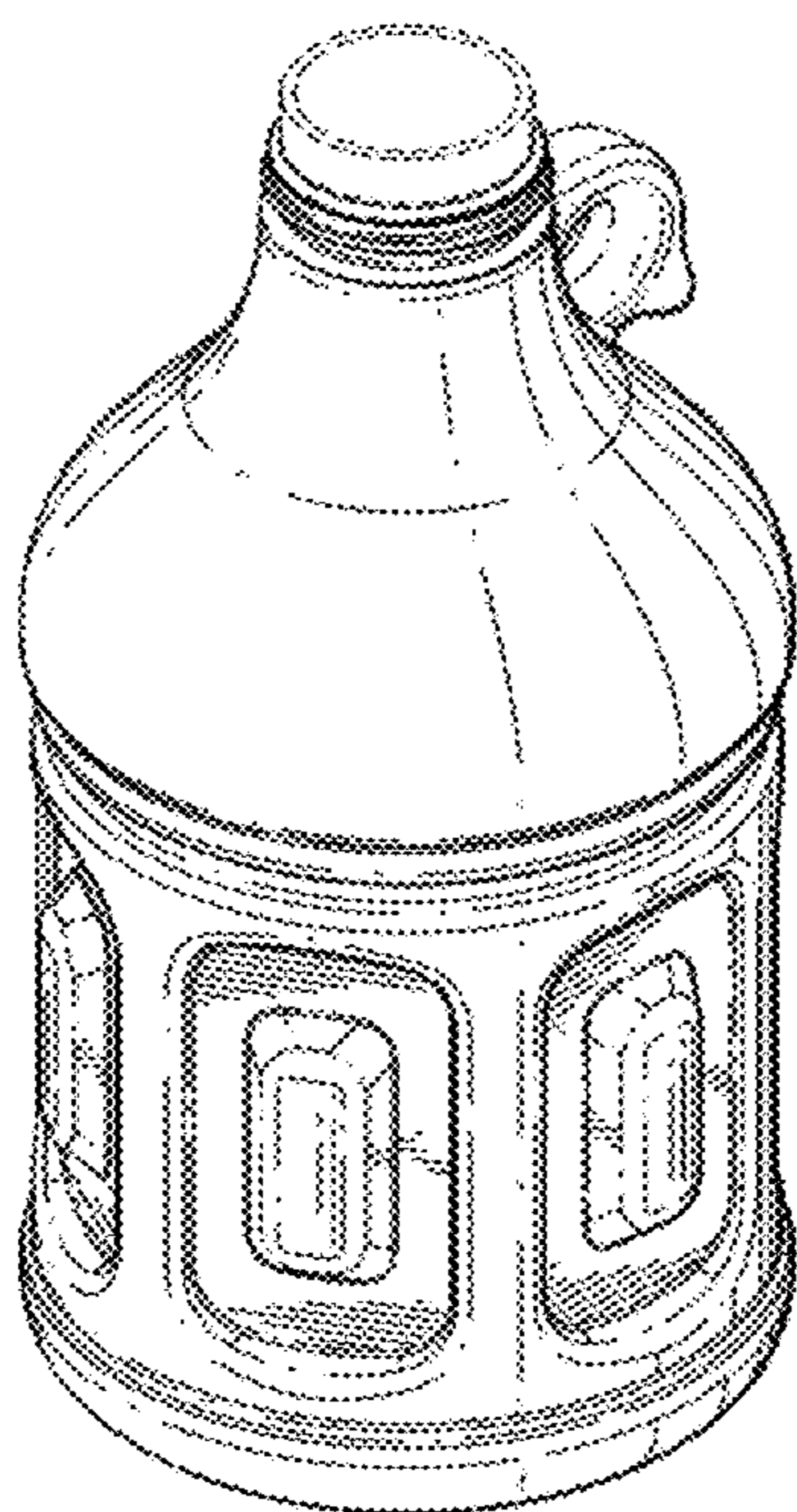
The ornamental design for a plastic container, as shown and described.

DESCRIPTION

FIG. 1 is a first perspective view showing my new design; FIG. 2 is a second perspective view; FIG. 3 is a front elevational view; FIG. 4 is a rear elevational view; FIG. 5 is a first side elevational view; FIG. 6 is second side elevational view; FIG. 7 is a top plan view; and, FIG. 8 is a bottom plan view.

The broken lines in the drawings depict probable environment only and form no part of the claimed design.

1 Claim, 7 Drawing Sheets



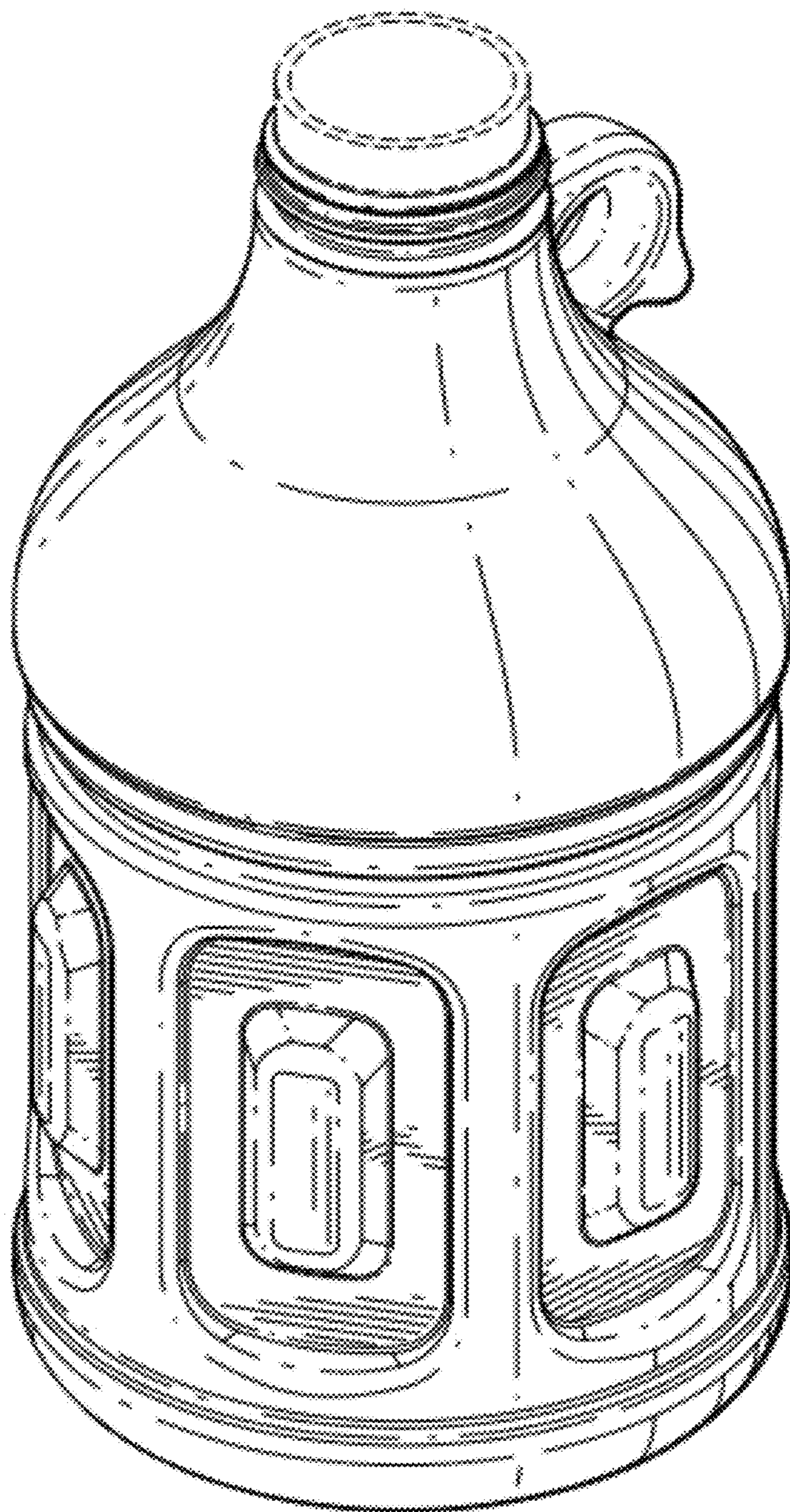


FIG. 1



FIG. 2

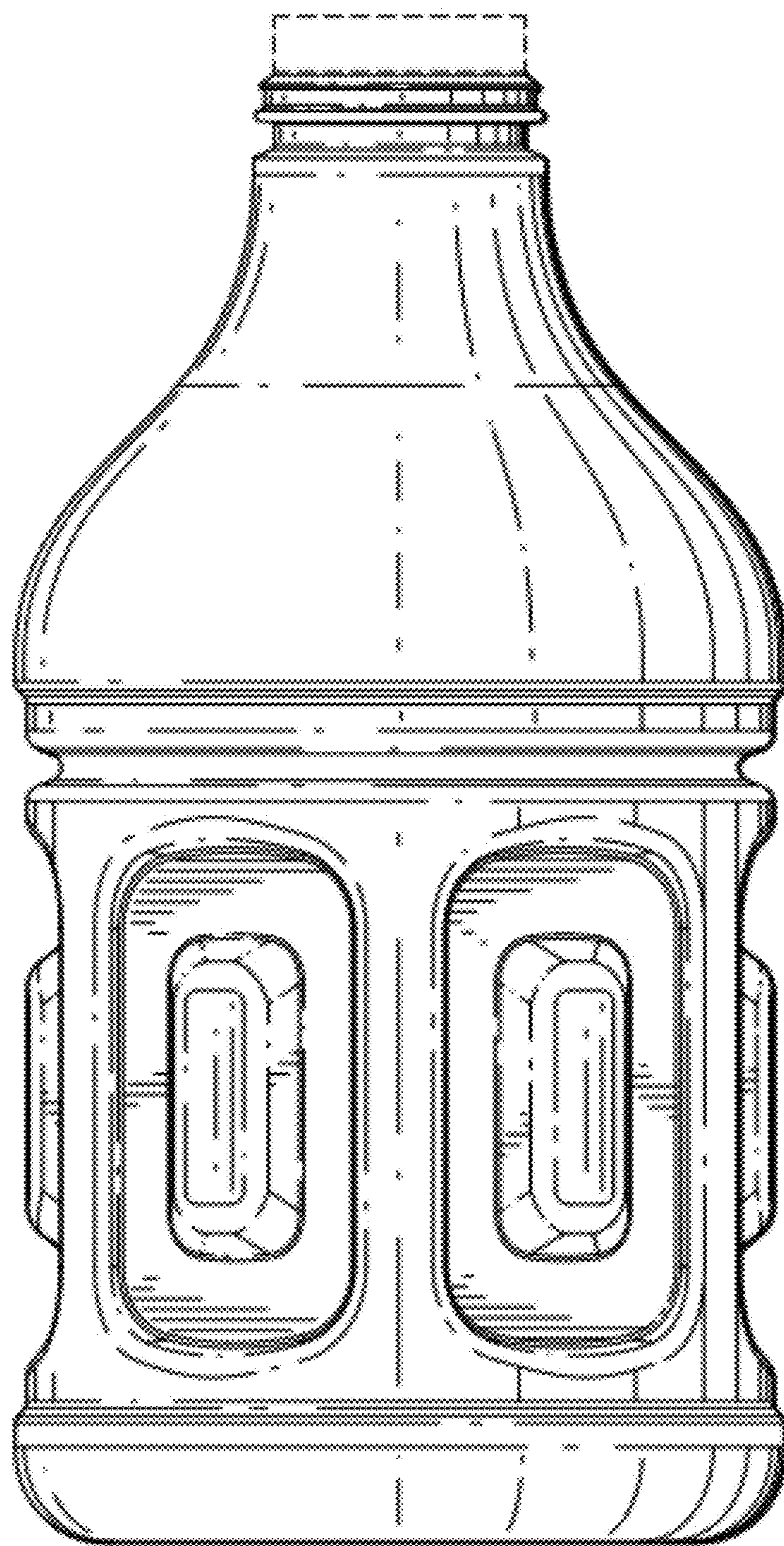


FIG. 3

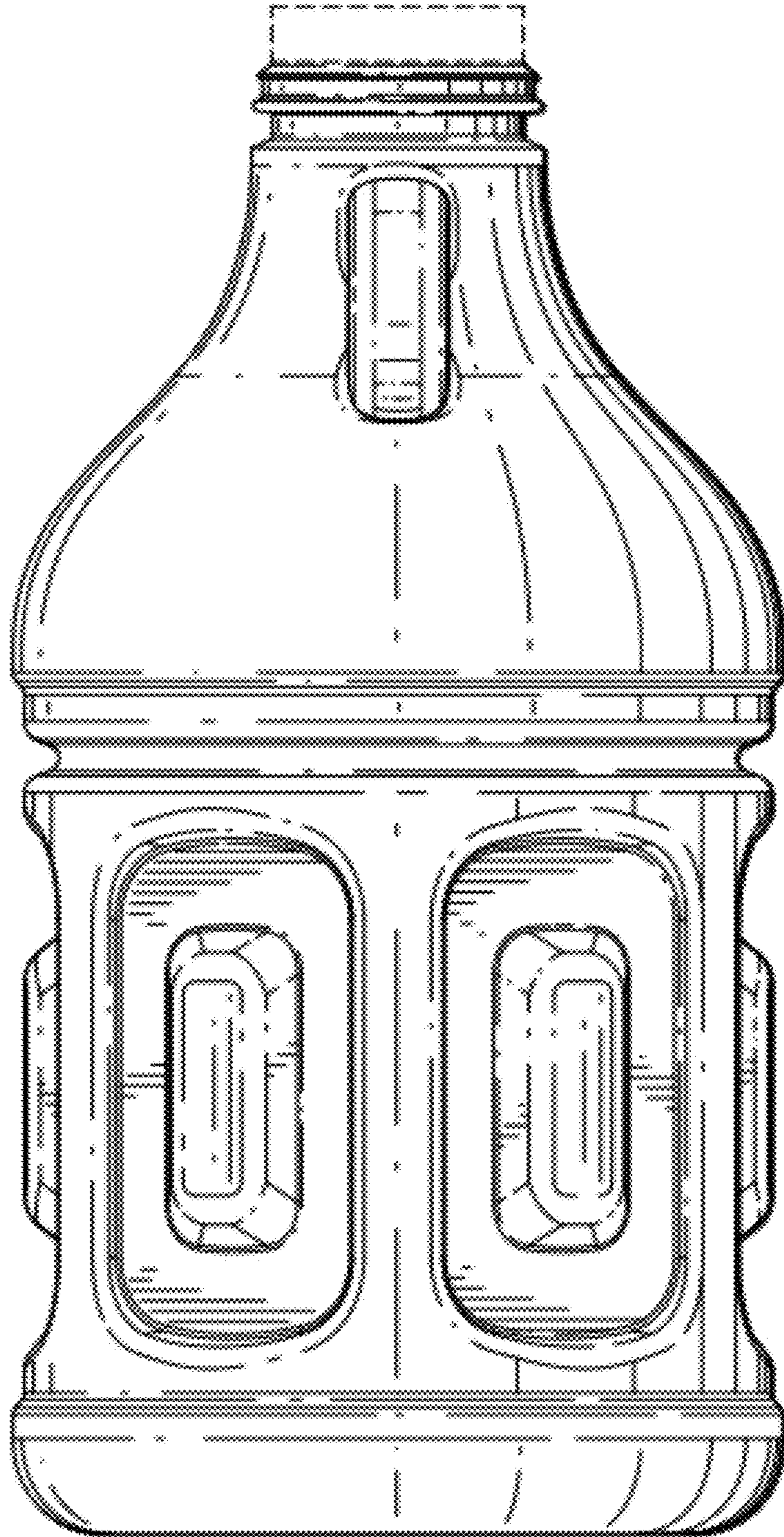


FIG. 4

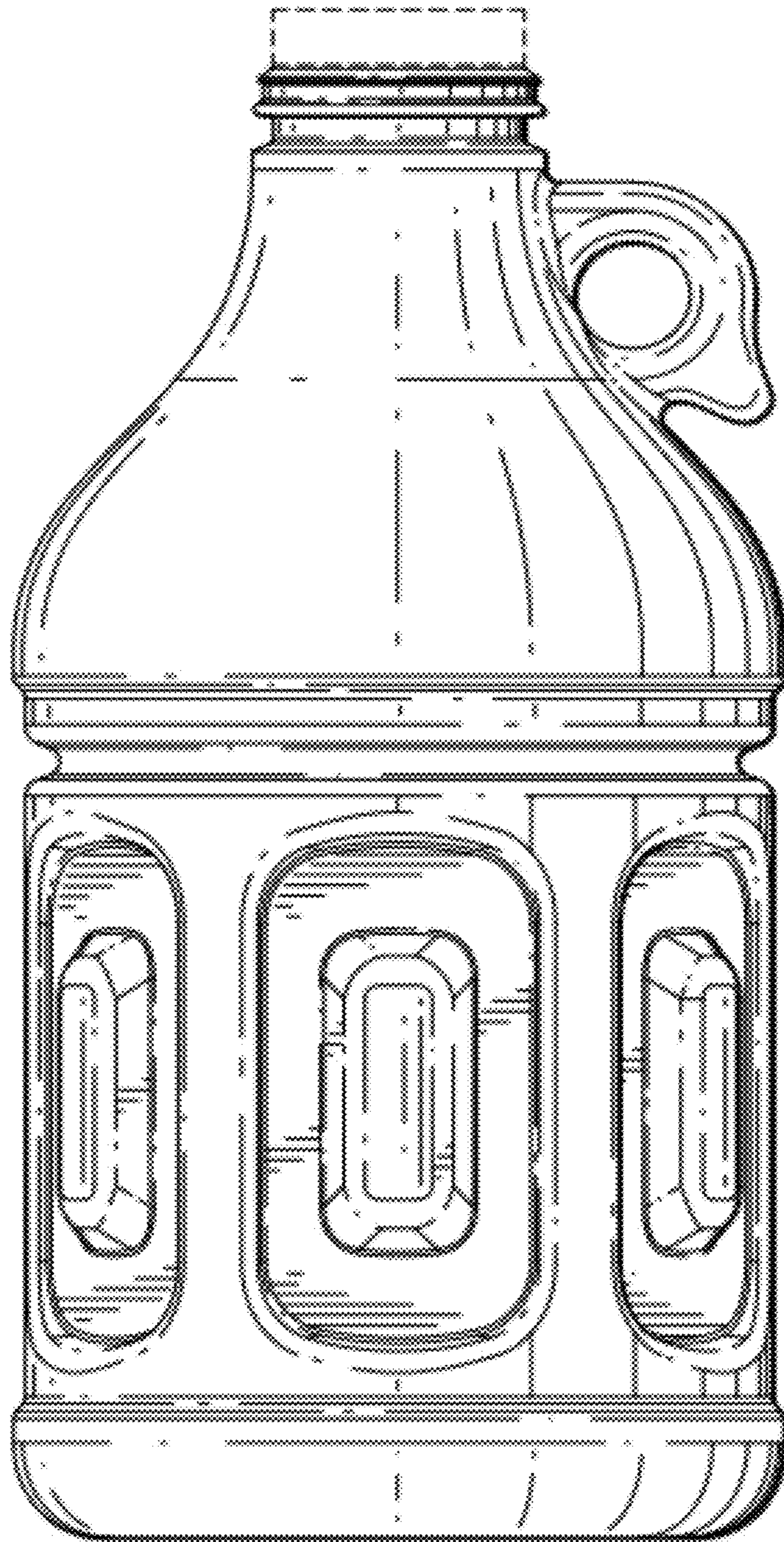


FIG. 5

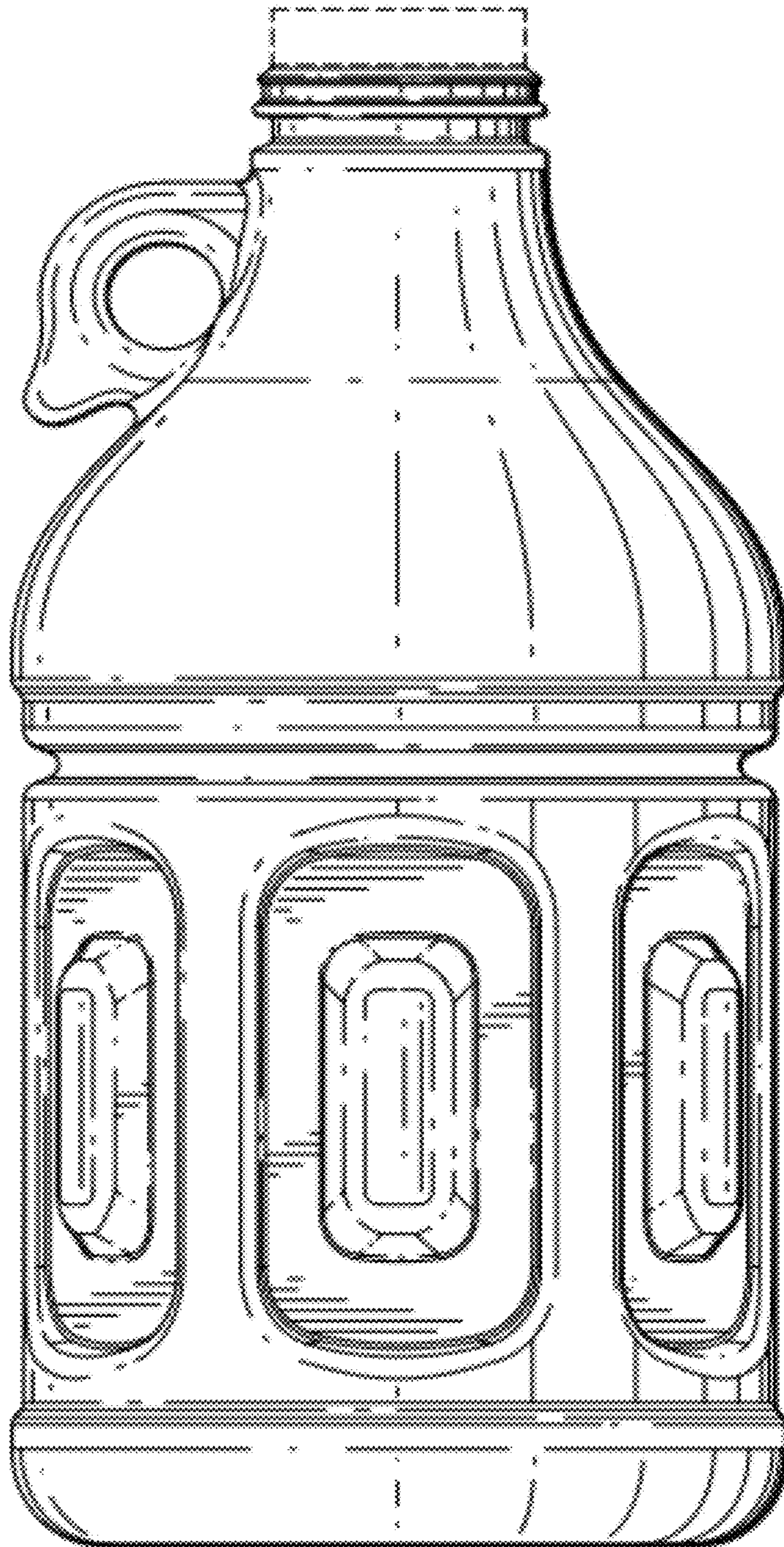


FIG. 6

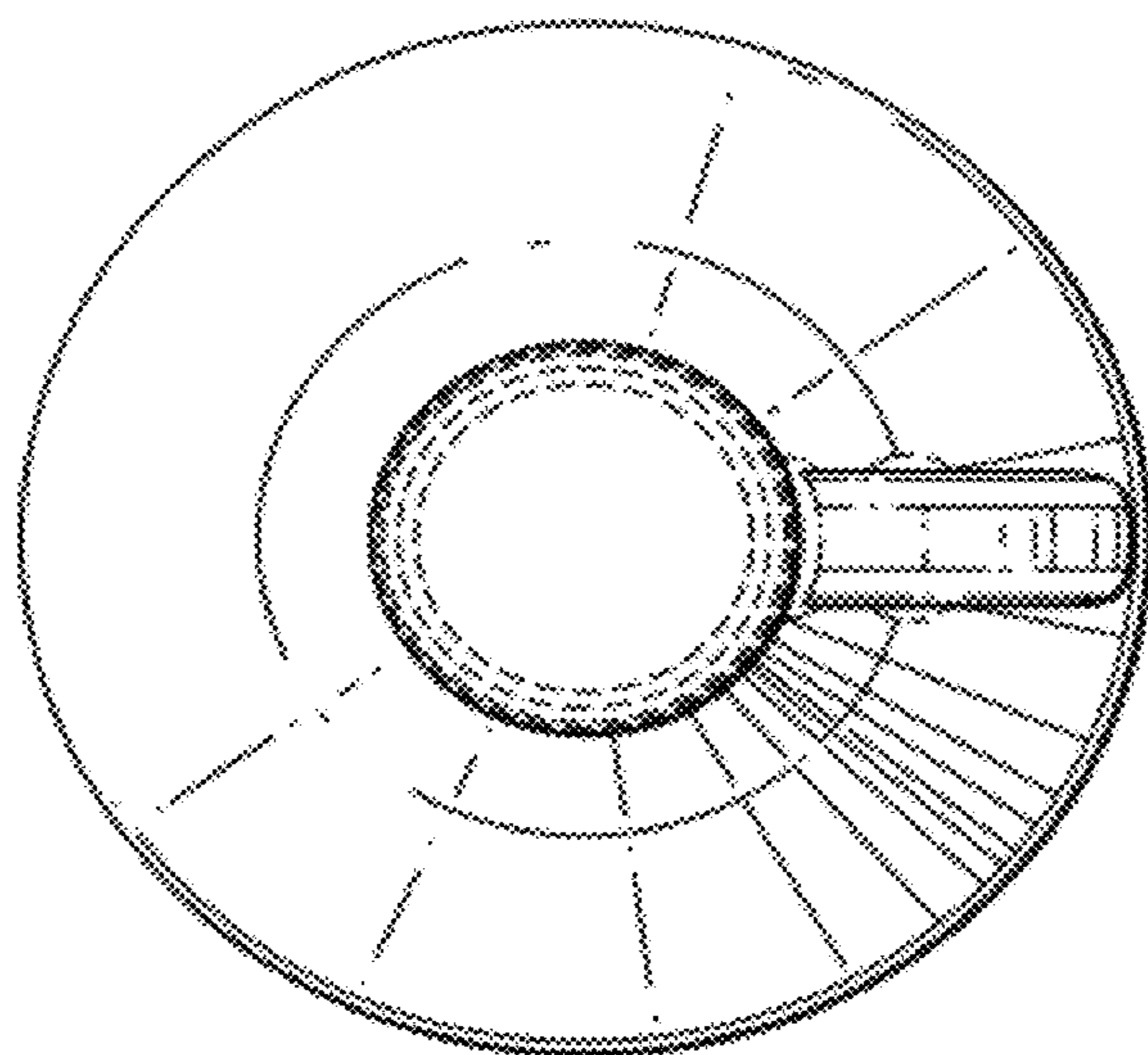


FIG. 7

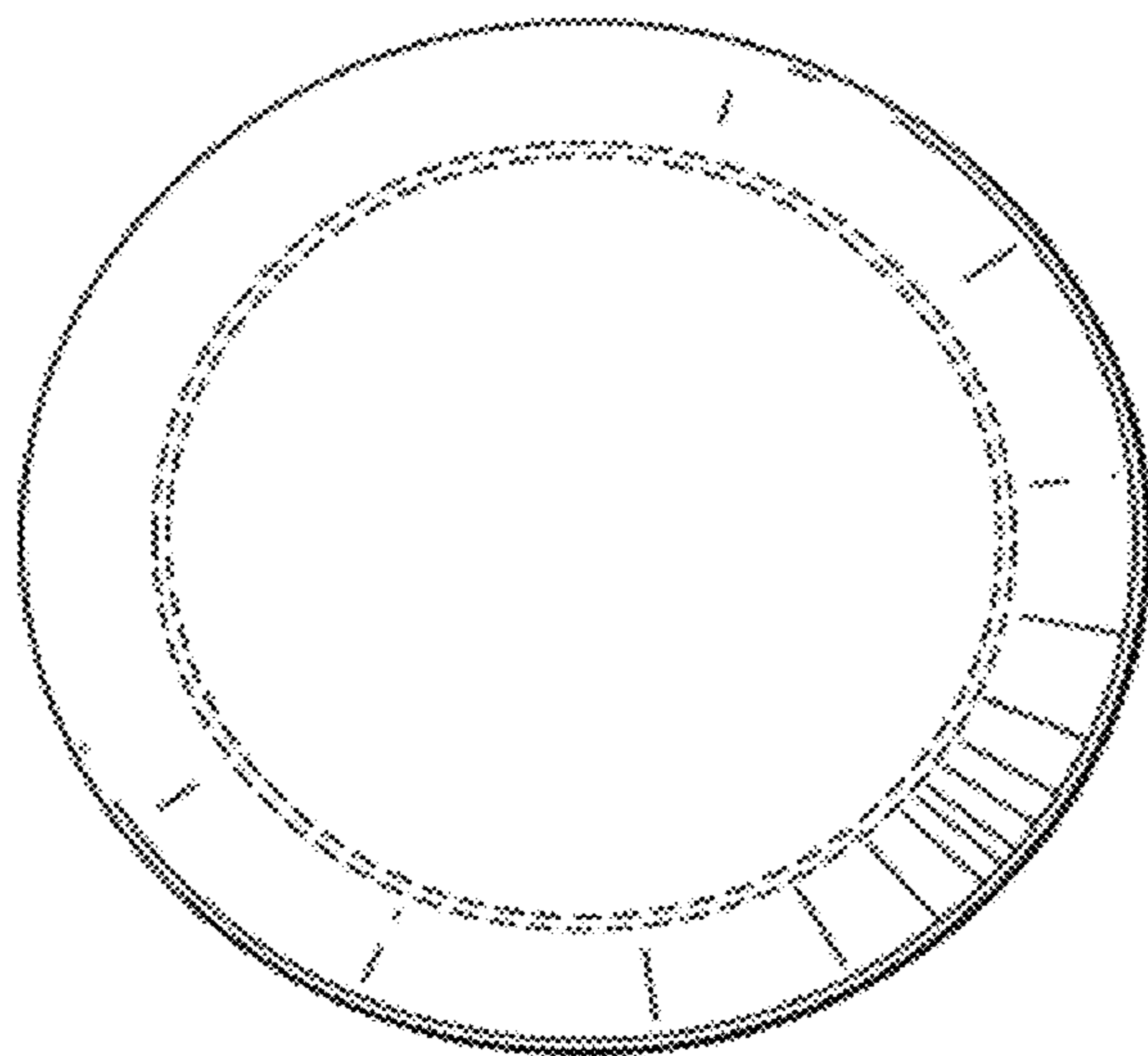


FIG. 8