



US00D676323S

(12) **United States Design Patent**
Sugden et al.

(10) **Patent No.:** **US D676,323 S**

(45) **Date of Patent:** **** Feb. 19, 2013**

(54) **PACKAGING INSERT**

(75) Inventors: **Kevin Roy Sugden**, Toronto (CA);
Hitesh Chandraprakash Bagai,
Mississauga (CA); **Todd Andrew Wood**,
Toronto (CA); **Ralph Leonard**
Oesterreich, Ancaster (CA)

(73) Assignee: **Research In Motion Limited**, Waterloo,
Ontario (CA)

(**) Term: **14 Years**

(21) Appl. No.: **29/405,019**

(22) Filed: **Oct. 27, 2011**

(51) **LOC (9) Cl.** **09-07**

(52) **U.S. Cl.** **D9/456**

(58) **Field of Classification Search** D9/307,
D9/308, 309, 310, 311, 318, 371, 415, 434,
D9/341, 414, 420, 423, 432, 456, 607, 721;
206/45.3, 45.28, 45.29, 485, 523, 588; D11/155,
D11/164; D19/84, 85; D7/513, 616

See application file for complete search history.

(56) **References Cited**

U.S. PATENT DOCUMENTS

D270,812 S *	10/1983	Fontlladosa	D9/607
D377,901 S *	2/1997	Payne et al.	D9/456
D652,321 S *	1/2012	Melnick	D9/721
D656,014 S *	3/2012	Norman et al.	D9/434
D658,497 S *	5/2012	Paschke et al.	D9/456
D666,100 S *	8/2012	Fallon	D9/456

* cited by examiner

Primary Examiner — Susan Bennett Hattan

Assistant Examiner — Barbara B Lohr

(57) **CLAIM**

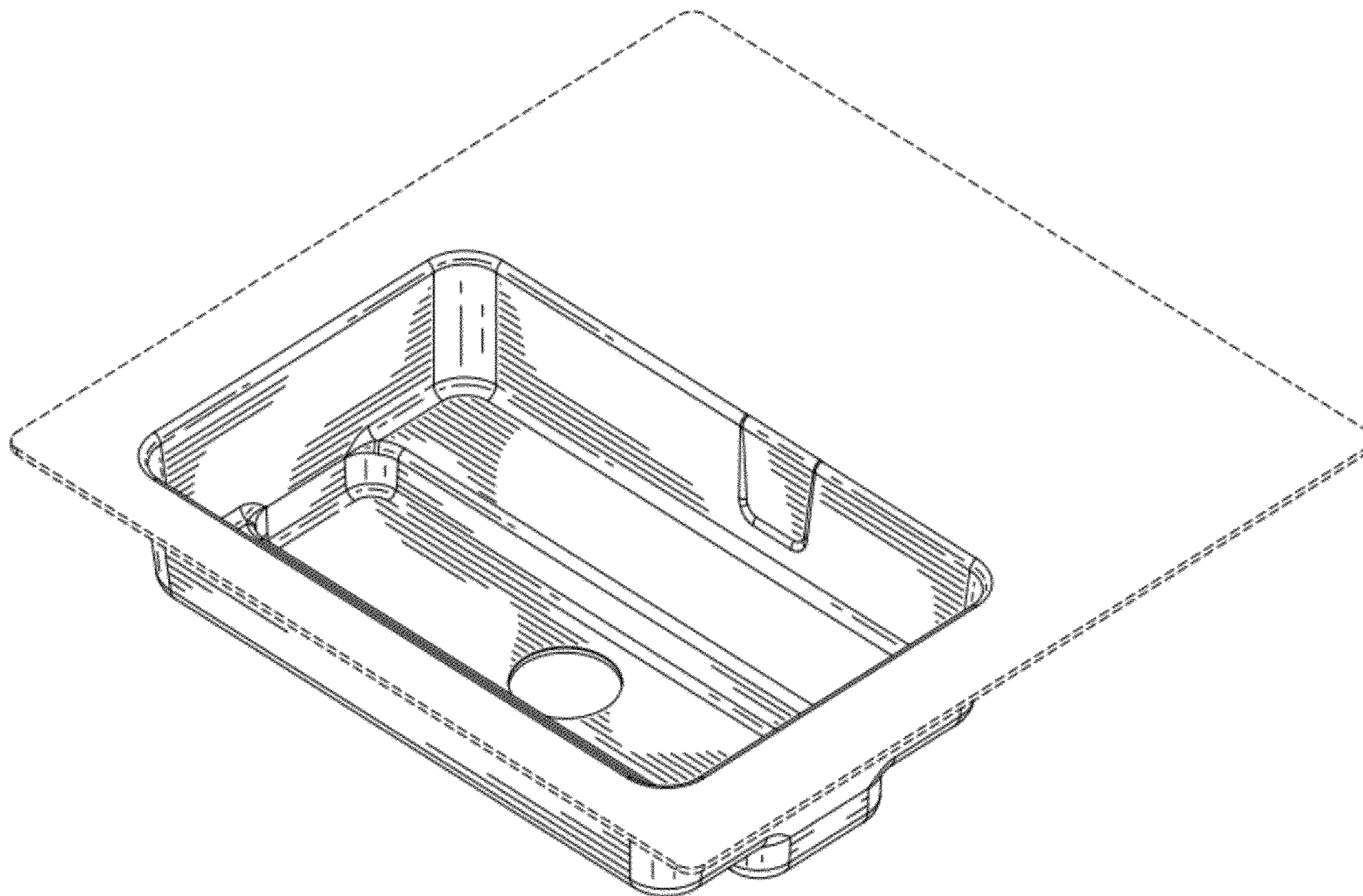
We claim the ornamental design for a packaging insert, as shown and described.

DESCRIPTION

FIG. 1 is a front perspective view of a packaging insert;
FIG. 2 is a front elevational view of the packaging insert;
FIG. 3 is a back elevational view thereof;
FIG. 4 is a left elevational view thereof;
FIG. 5 is a right elevational view thereof;
FIG. 6 is a top plan view thereof; and,
FIG. 7 is a bottom plan view thereof.

The broken lines in the drawing depict environmental subject matter only and form no part of the claimed design.

1 Claim, 4 Drawing Sheets



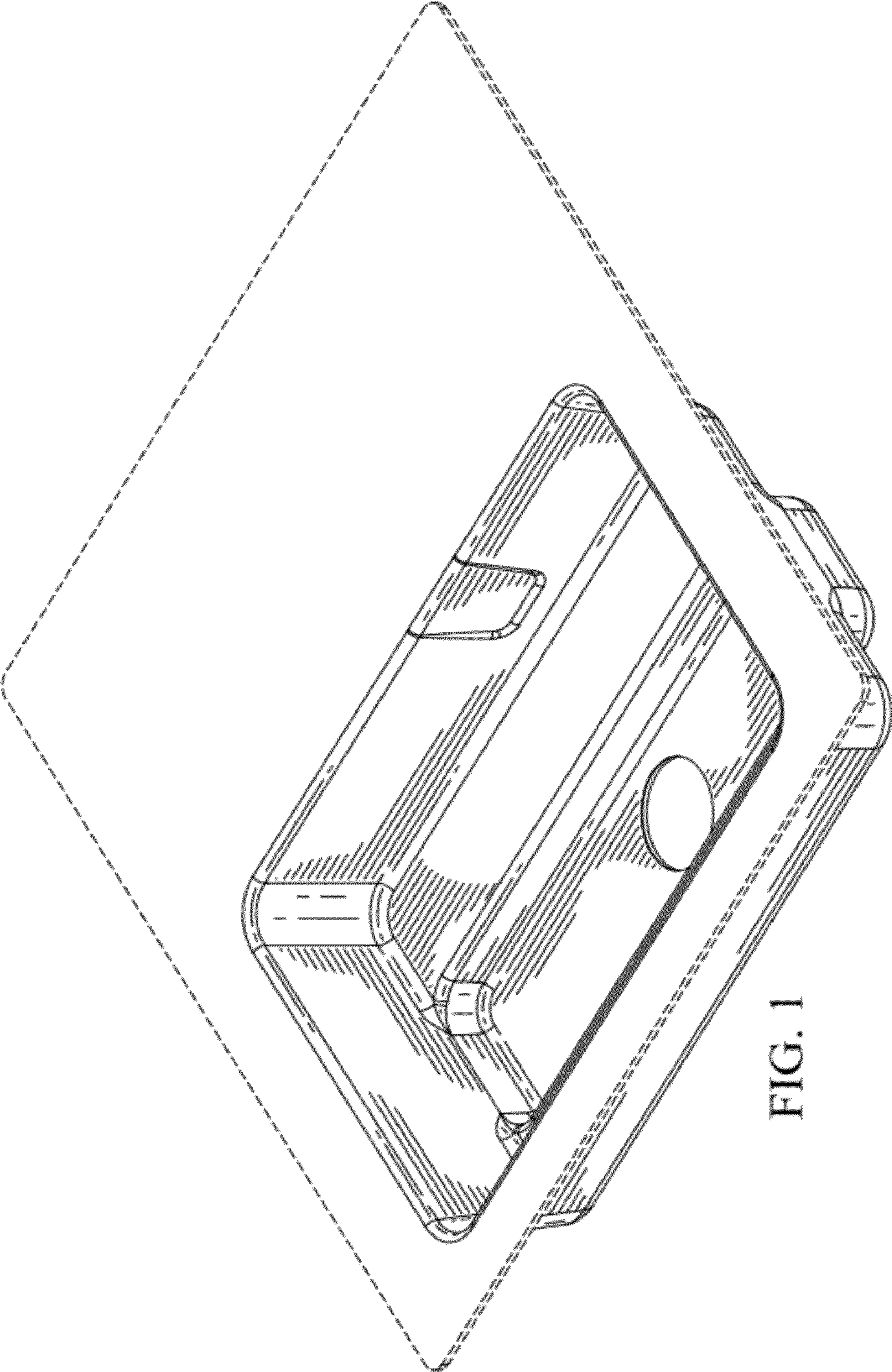


FIG. 1

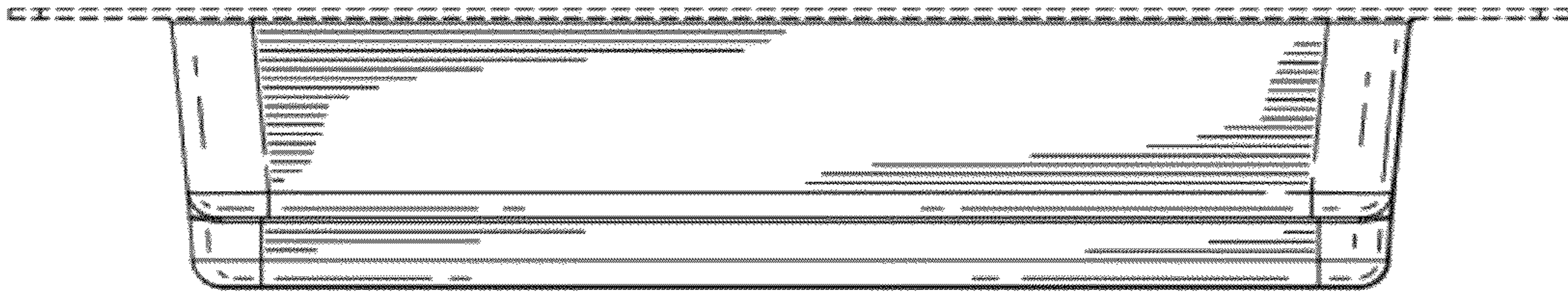


FIG. 2

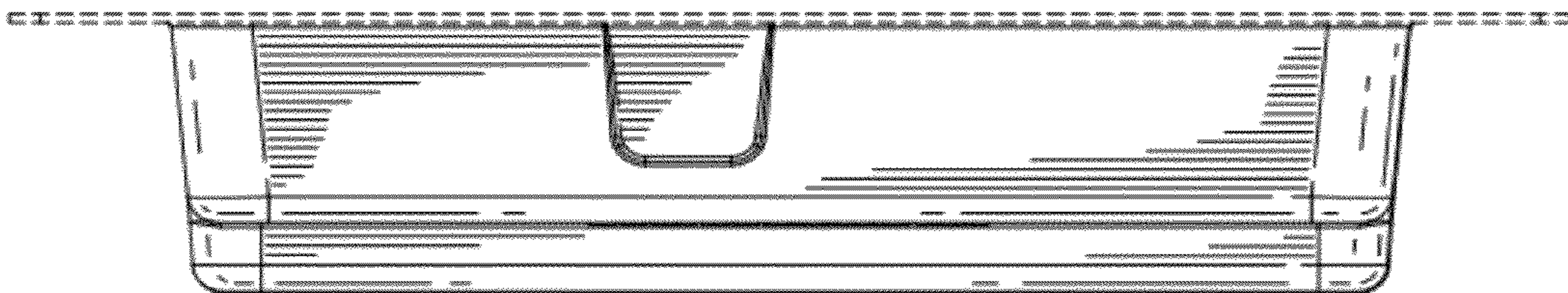


FIG. 3

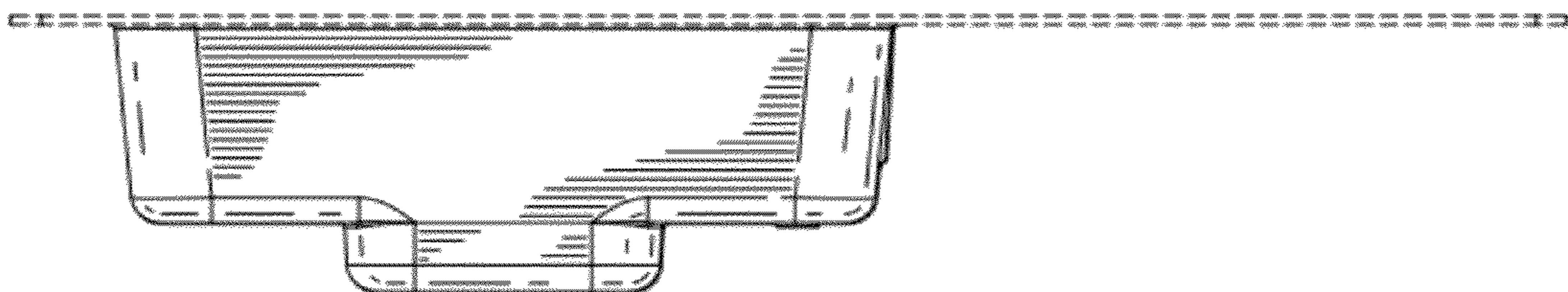


FIG. 4

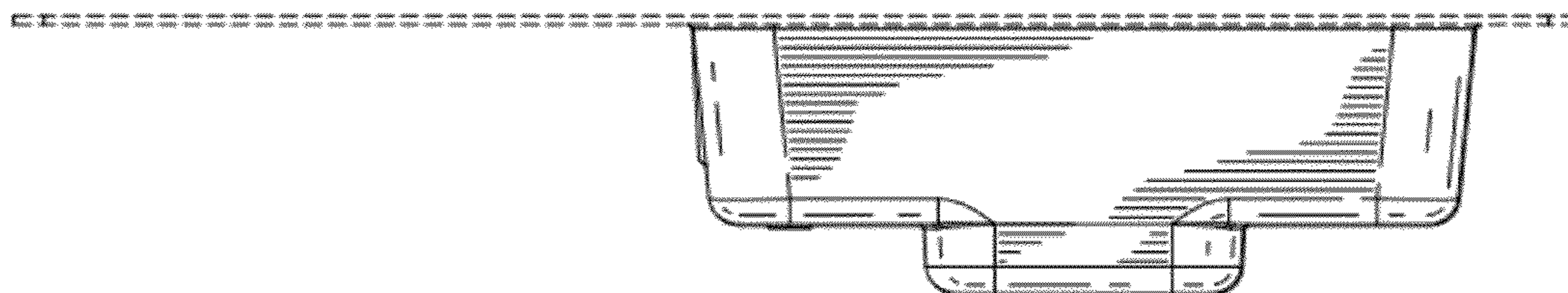


FIG. 5

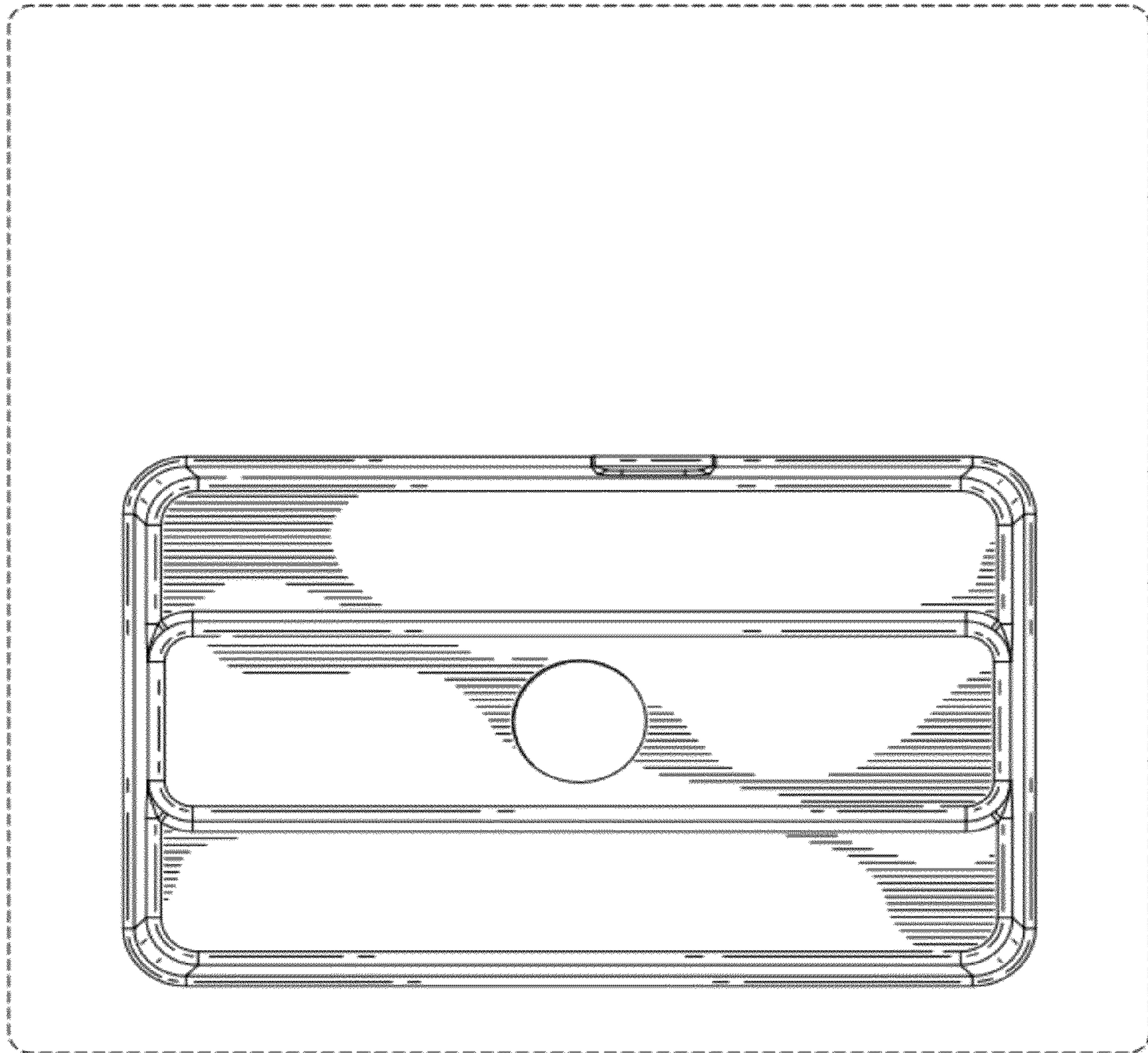


FIG. 6

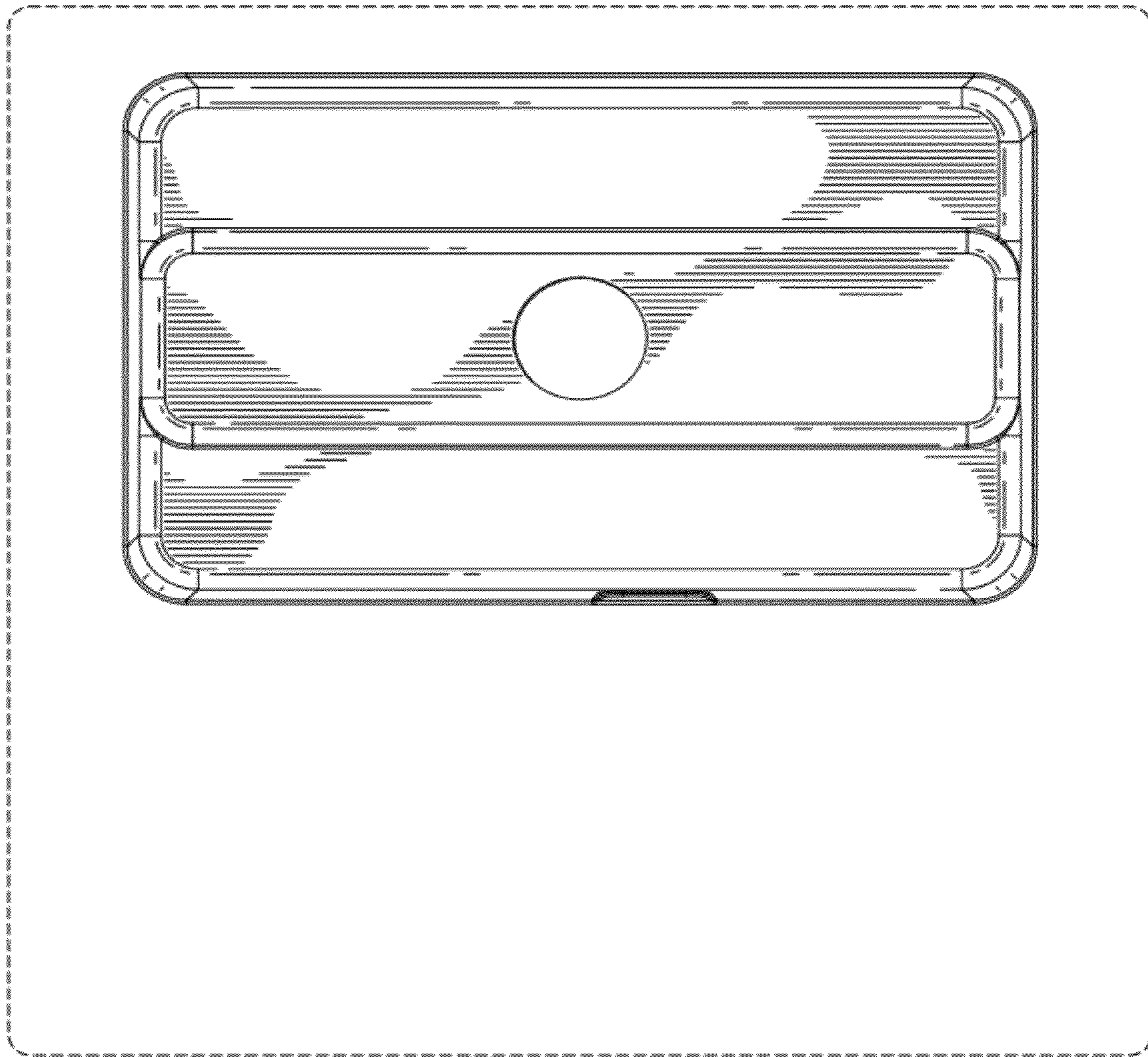


FIG. 7