



US00D676321S

(12) **United States Design Patent**
Jones et al.

(10) **Patent No.:** **US D676,321 S**
(45) **Date of Patent:** **** Feb. 19, 2013**

(54) **TRAY ASSEMBLY FOR A DISPENSING CONTAINER**

(75) Inventors: **Wesley Steven Jones**, Lexington, NC (US); **Jerry Wayne Pipes**, Clemmons, NC (US)

(73) Assignee: **R.J. Reynolds Tobacco Company**, Winston-Salem, NC (US)

(**) Term: **14 Years**

(21) Appl. No.: **29/388,223**

(22) Filed: **Mar. 25, 2011**

(51) **LOC (9) Cl.** **09-07**

(52) **U.S. Cl.** **D9/456**

(58) **Field of Classification Search** D9/434, D9/455, 456, 702, 708, 709, 756, 759, 761; D3/201, 203.1, 203.3, 295, 304; 53/412; 220/4.23; 219/439

See application file for complete search history.

(56) **References Cited**

U.S. PATENT DOCUMENTS

194,197 A	8/1877	Villaret
536,923 A	4/1895	Dion
2,090,530 A	8/1937	Guffy et al.
D134,249 S	9/1942	Button
3,696,917 A	10/1972	Levi
3,782,584 A	1/1974	Swenson et al.
3,895,737 A	7/1975	Phillips
4,057,145 A	11/1977	Wray et al.
4,154,365 A	5/1979	Lorca
4,284,204 A	8/1981	Cary, Jr.
4,437,579 A	3/1984	Obland
4,561,544 A	12/1985	Reeve
4,572,376 A	2/1986	Wrennall
4,611,727 A	9/1986	Graff
4,705,165 A	11/1987	Thieke
D307,555 S	5/1990	Haenni et al.
5,108,006 A	4/1992	Tieke et al.
5,174,471 A	12/1992	Kozlowski et al.
5,275,291 A	1/1994	Sledge
5,657,901 A	8/1997	Farside
5,729,955 A	3/1998	Yamada

D393,591 S	4/1998	Baryshyan
5,782,359 A	7/1998	McAllister et al.
5,816,441 A	10/1998	Farside
5,897,025 A	4/1999	Flewitt et al.
5,909,822 A	6/1999	George et al.
5,915,560 A	6/1999	George et al.
6,131,765 A	10/2000	Barry et al.
6,155,454 A	12/2000	George et al.
D444,058 S	6/2001	Hampshire et al.
6,267,265 B1	7/2001	Issa
6,460,693 B1	10/2002	Harrold
6,527,138 B2	3/2003	Pawlo et al.
6,758,338 B2	7/2004	Lien
D495,545 S	9/2004	Niehues
6,863,175 B2	3/2005	Gelardi
6,913,149 B2	7/2005	Gelardi et al.

(Continued)

FOREIGN PATENT DOCUMENTS

GB	686 870	2/1953
GB	2 042 476	9/1980

(Continued)

Primary Examiner — Susan Bennett Hattan

Assistant Examiner — Barbara B Lohr

(74) *Attorney, Agent, or Firm* — Womble Carlyle Sandridge & Rice, LLP

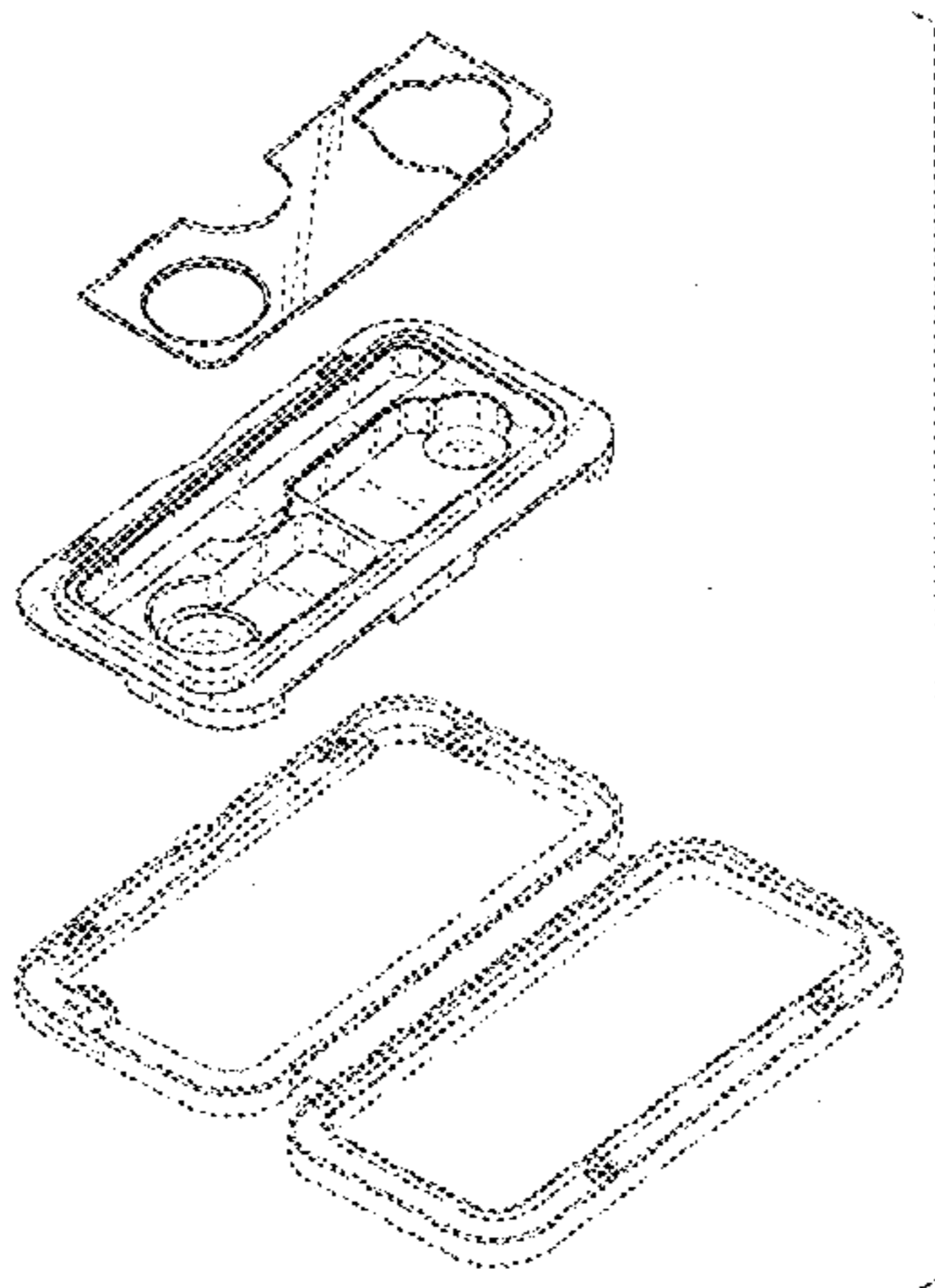
(57) **CLAIM**

The ornamental design for a tray assembly for a dispensing container, as shown and described.

DESCRIPTION

FIG. 1 is a top, front perspective view of a tray assembly for a dispensing container according to the present design, the tray assembly having a transparent cover with multiple cut-out portions formed therein; FIG. 2 is a top, rear perspective view thereof; FIG. 3 is a top plan view thereof; FIG. 4 is an exploded front view thereof; and, FIG. 5 is an exploded rear view thereof. The broken lines shown herein depict environmental subject matter only and form no part of the claimed design.

1 Claim, 5 Drawing Sheets



US D676,321 S

Page 2

U.S. PATENT DOCUMENTS

6,976,576 B2 12/2005 Intini
D531,499 S 11/2006 Zaidman
7,159,720 B2 1/2007 Pearson
7,216,776 B2 5/2007 Gelardi
7,288,745 B2 10/2007 Colonna
7,353,969 B2 4/2008 McHutchinson
D572,588 S 7/2008 Osborn et al.
D589,798 S 4/2009 Liipola
7,565,969 B2 7/2009 He
7,588,149 B2 9/2009 Gelardi
D608,593 S 1/2010 Follansbee et al.
7,712,630 B2 5/2010 He
D631,353 S * 1/2011 Gelardi et al. D9/456
D631,354 S * 1/2011 Gelardi et al. D9/456
D631,747 S * 2/2011 Gelardi et al. D9/456
D638,297 S * 5/2011 Gelardi et al. D9/456
D639,162 S * 6/2011 Gelardi et al. D9/456
D639,163 S * 6/2011 Gelardi et al. D9/456
D661,189 S * 6/2012 Fahy D9/456
2002/0096517 A1 7/2002 Gelardi
2002/0175195 A1 11/2002 Cole
2004/0217024 A1 11/2004 Arnarp et al.
2005/0173272 A1 8/2005 Lemmons, IV
2006/0060480 A1 3/2006 Budd
2006/0118589 A1 6/2006 Arnarp et al.
2006/0124658 A1 6/2006 Coe et al.

2006/0243611 A1 11/2006 Wu
2007/0068960 A1 3/2007 Valentine et al.
2007/0163911 A1 7/2007 Gelardi
2007/0277299 A1 12/2007 Kroon
2008/0029110 A1 2/2008 Dube et al.
2008/0029116 A1 2/2008 Robinson et al.
2008/0035643 A1 2/2008 Hoffman
2009/0223989 A1 9/2009 Gelardi
2009/0266837 A1 10/2009 Gelardi et al.
2010/0018882 A1 1/2010 St. Charles
2010/0018883 A1 1/2010 Patel
2010/0084424 A1 4/2010 Gelardi
2010/0133140 A1 6/2010 Bailey et al.
2010/0264157 A1 10/2010 Bailey et al.

FOREIGN PATENT DOCUMENTS

WO WO 99/48391 A 9/1999
WO WO 2004/035404 A1 4/2004
WO WO 2005/016036 A1 2/2005
WO WO 2005/030606 A1 4/2005
WO WO 2005/035390 A1 4/2005
WO WO 2007/017761 A2 2/2007
WO WO 2007/067953 A2 6/2007
WO WO 2007/070867 A2 6/2007
WO WO 2008/070032 A2 6/2008

* cited by examiner

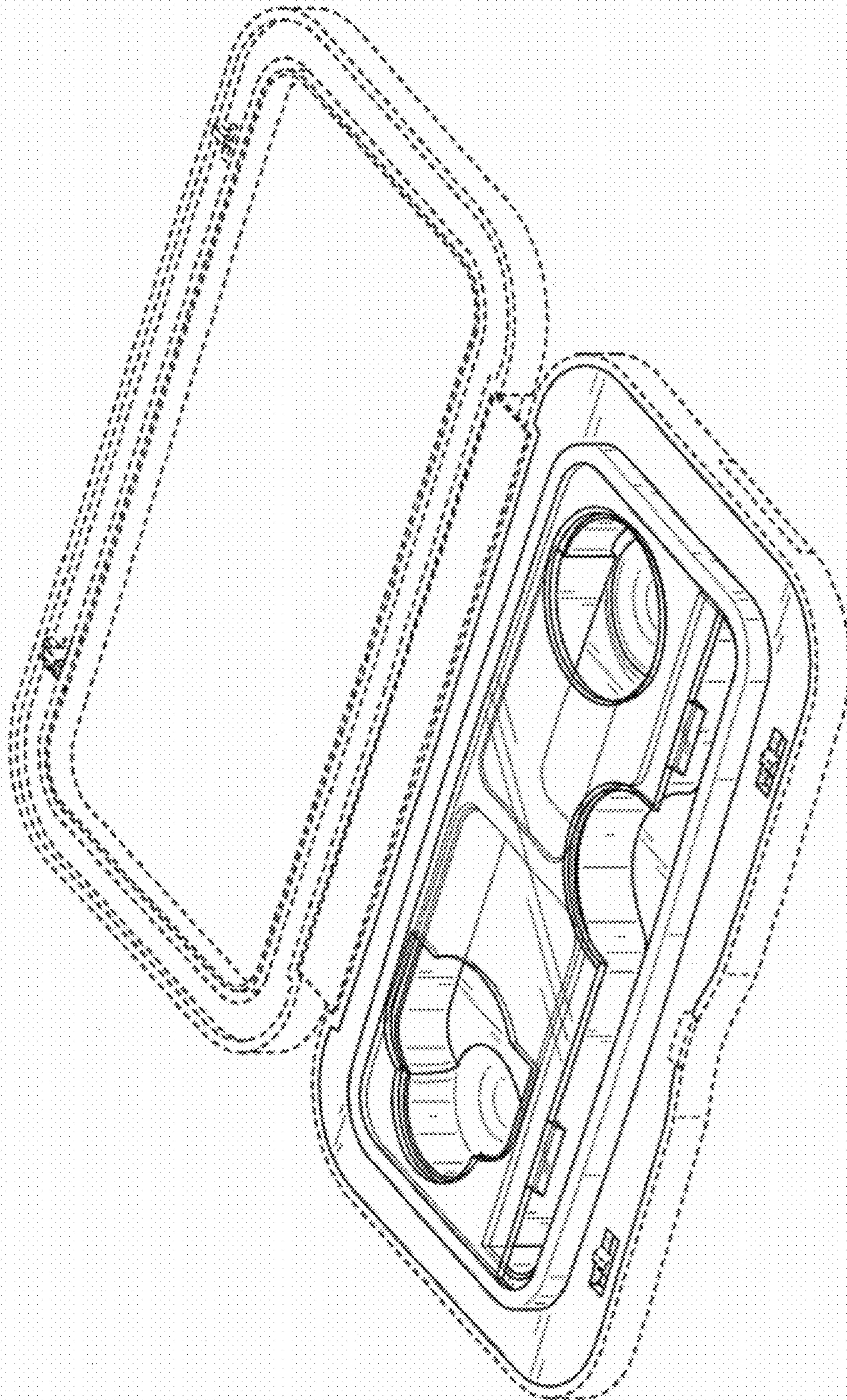


FIG. 1

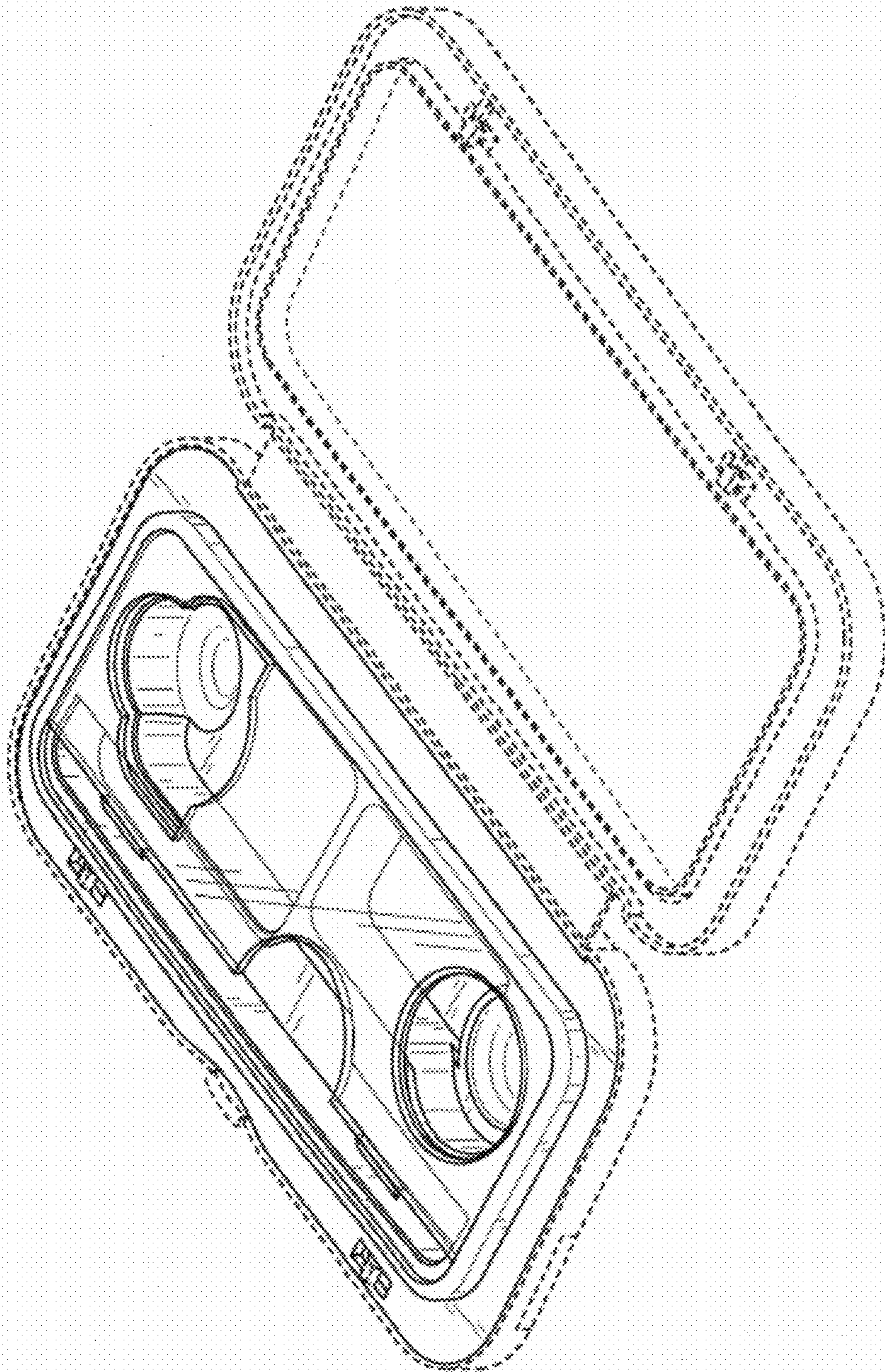


FIG. 2

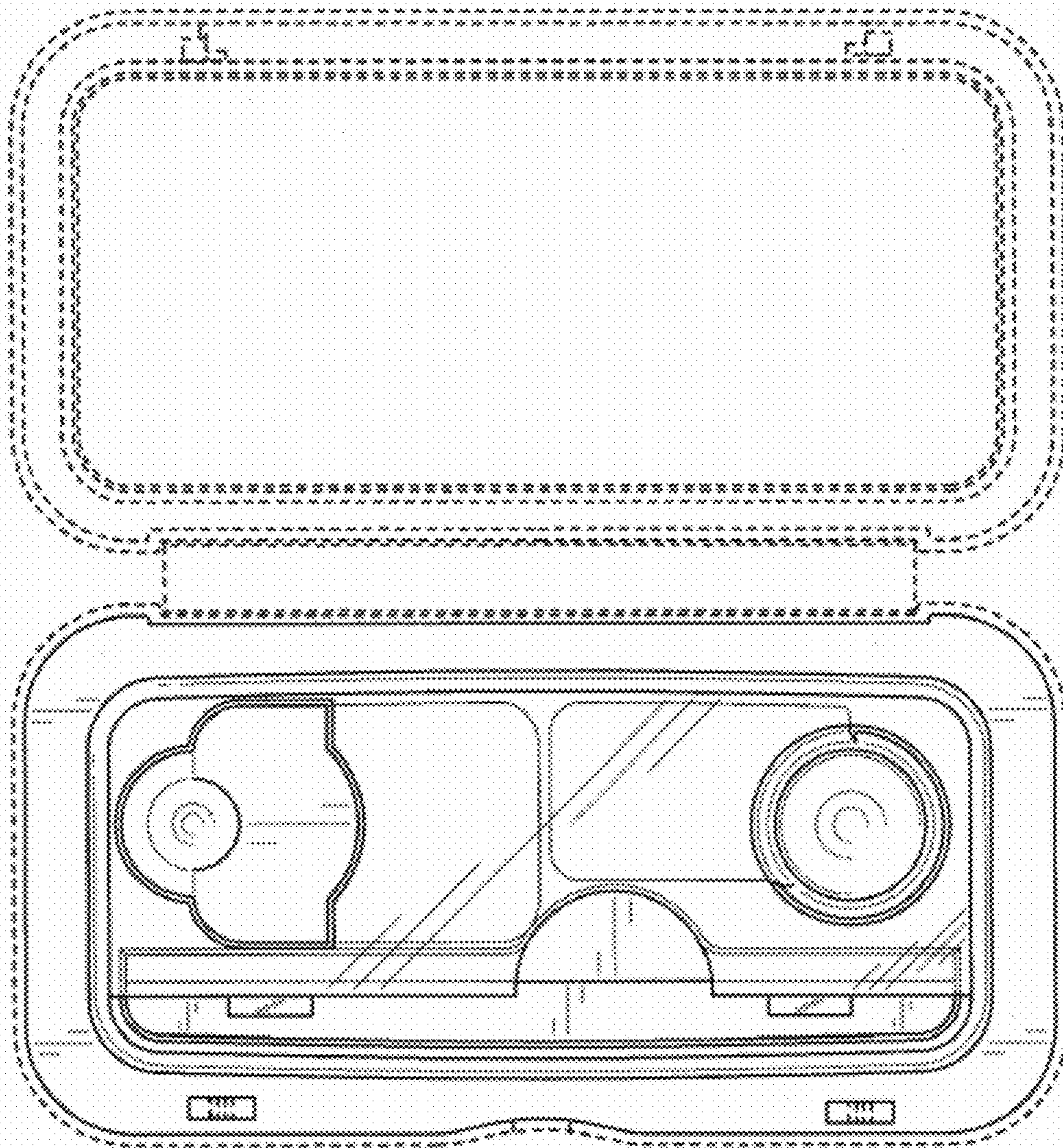


FIG. 3

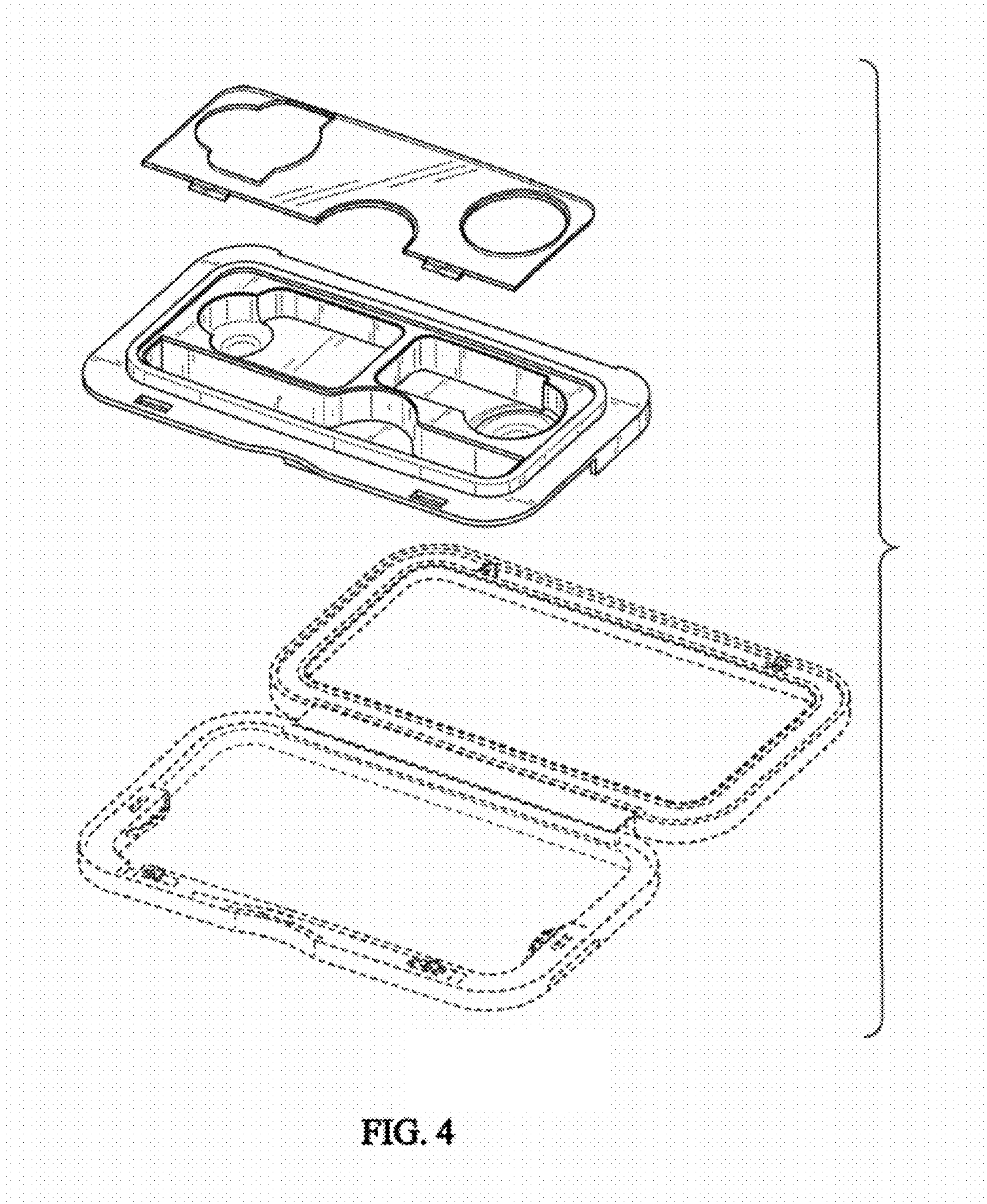


FIG. 4

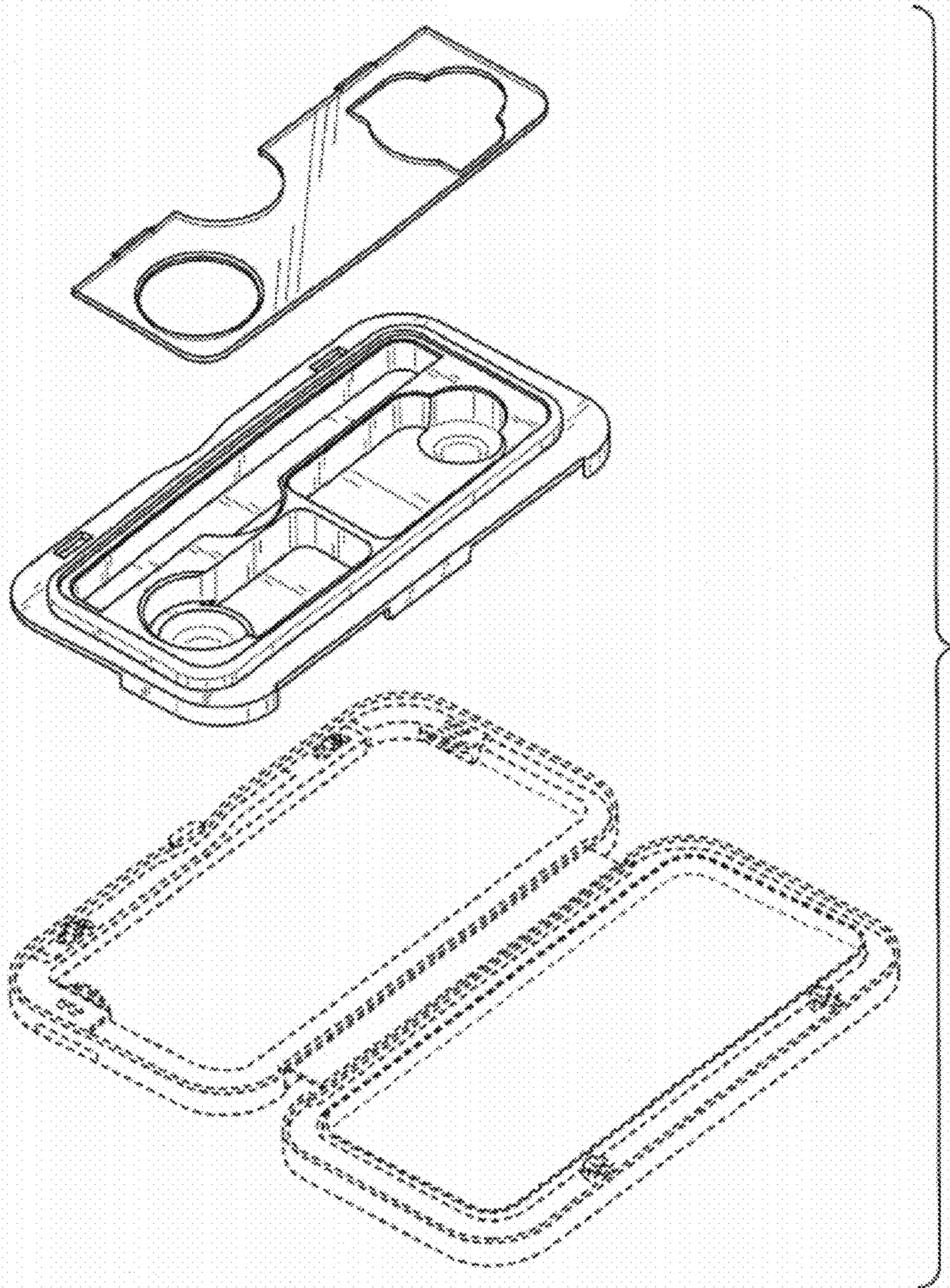


FIG. 5

UNITED STATES PATENT AND TRADEMARK OFFICE
CERTIFICATE OF CORRECTION

PATENT NO. : D676,321 S
APPLICATION NO. : 29/388223
DATED : February 19, 2013
INVENTOR(S) : Jones et al.

Page 1 of 1

It is certified that error appears in the above-identified patent and that said Letters Patent is hereby corrected as shown below:

On the title page, under the Description heading, for the last figure description listed, the numeral 5 was omitted after the word FIG. The description for FIG. 5 should read as follows:

FIG. 5 is an exploded rear view thereof.

Signed and Sealed this
Third Day of September, 2013



Teresa Stanek Rea
Acting Director of the United States Patent and Trademark Office