



US00D676320S

(12) **United States Design Patent**
Richards et al.

(10) **Patent No.:** **US D676,320 S**

(45) **Date of Patent:** **** Feb. 19, 2013**

(54) **FLUID DISPENSER**

(75) Inventors: **James L. Richards**, Dassel, MN (US);
Loren L. Brelje, Glencoe, MN (US);
Michael Maher, Hutchinson, MN (US)

(73) Assignee: **David S. Smith America, Inc.**, Lester
Prairie, MN (US)

(**) Term: **14 Years**

(21) Appl. No.: **29/404,767**

(22) Filed: **Oct. 25, 2011**

(51) **LOC (9) Cl.** **09-07**

(52) **U.S. Cl.** **D9/449**

(58) **Field of Classification Search** D9/454,
D9/453, 449, 447, 446, 443, 440, 439, 417;
D7/396.2, 392.1; 222/556, 484; 220/837,
220/715, 259.2, 254.2-254.5; 215/306, 235,
215/236

See application file for complete search history.

(56) **References Cited**

U.S. PATENT DOCUMENTS

2,197,352	A	4/1940	Terkel	
2,842,291	A	7/1958	Duval et al.	
3,642,179	A	2/1972	Micallef	
3,913,611	A	10/1975	St. John	
3,972,443	A	8/1976	Albert	
4,133,446	A	1/1979	Albert	
4,487,342	A	12/1984	Shy	
4,893,651	A	1/1990	Hermann et al.	
4,930,689	A	6/1990	Stumpf	
4,942,976	A	7/1990	Spencer	
D356,499	S *	3/1995	Cautereels et al.	D9/449
5,485,938	A	1/1996	Boersma	
6,364,178	B1	4/2002	Paczonay	
6,401,752	B1	6/2002	Blackbourn et al.	
6,446,845	B1	9/2002	Steiger	
6,763,964	B1	7/2004	Hurlbut et al.	
7,195,137	B2	3/2007	Belcastro	
7,513,395	B2	4/2009	Labinski et al.	
D628,483	S *	12/2010	McKinney et al.	D9/449
D630,511	S *	1/2011	Stull et al.	D9/448

D640,555	S *	6/2011	Williams et al.	D9/449
D661,582	S *	6/2012	Gatrost et al.	D9/449
2009/0090745	A1	4/2009	Forbis	
2012/0018459	A1 *	1/2012	Richards et al.	222/484

FOREIGN PATENT DOCUMENTS

EP	1566122	A1	8/2005
NL	1003708		5/1998

OTHER PUBLICATIONS

U.S. Appl. No. 12/839,860, filed Jul. 20, 2010, Dispenser Assembly.
U.S. Appl. No. 13/280,985, filed Oct. 25, 2011, Fluid Dispensing
Assembly.
Thermoplastic Copolyester Elastomer data sheet, document created
date Jul. 16, 2010.

* cited by examiner

Primary Examiner — Susan Bennett Hattan

(74) *Attorney, Agent, or Firm* — Vidas, Arrett & Steinkraus,
P.A.

(57) **CLAIM**

The ornamental design for a fluid dispenser, as shown and
described.

DESCRIPTION

This Design Application is being filed concurrently with US
Utility Application titled “Fluid Dispensing Assembly”;
application Ser. No. 13/280,985; and inventors James Rich-
ards, Loren Brelje, and Michael Maher; the contents of which
are hereby incorporated by reference.

FIG. 1 is a three-dimensional view of the fluid dispenser.

FIG. 2 is a front view of the fluid dispenser.

FIG. 3 is a back view of the fluid dispenser.

FIG. 4 is a side view of the fluid dispenser.

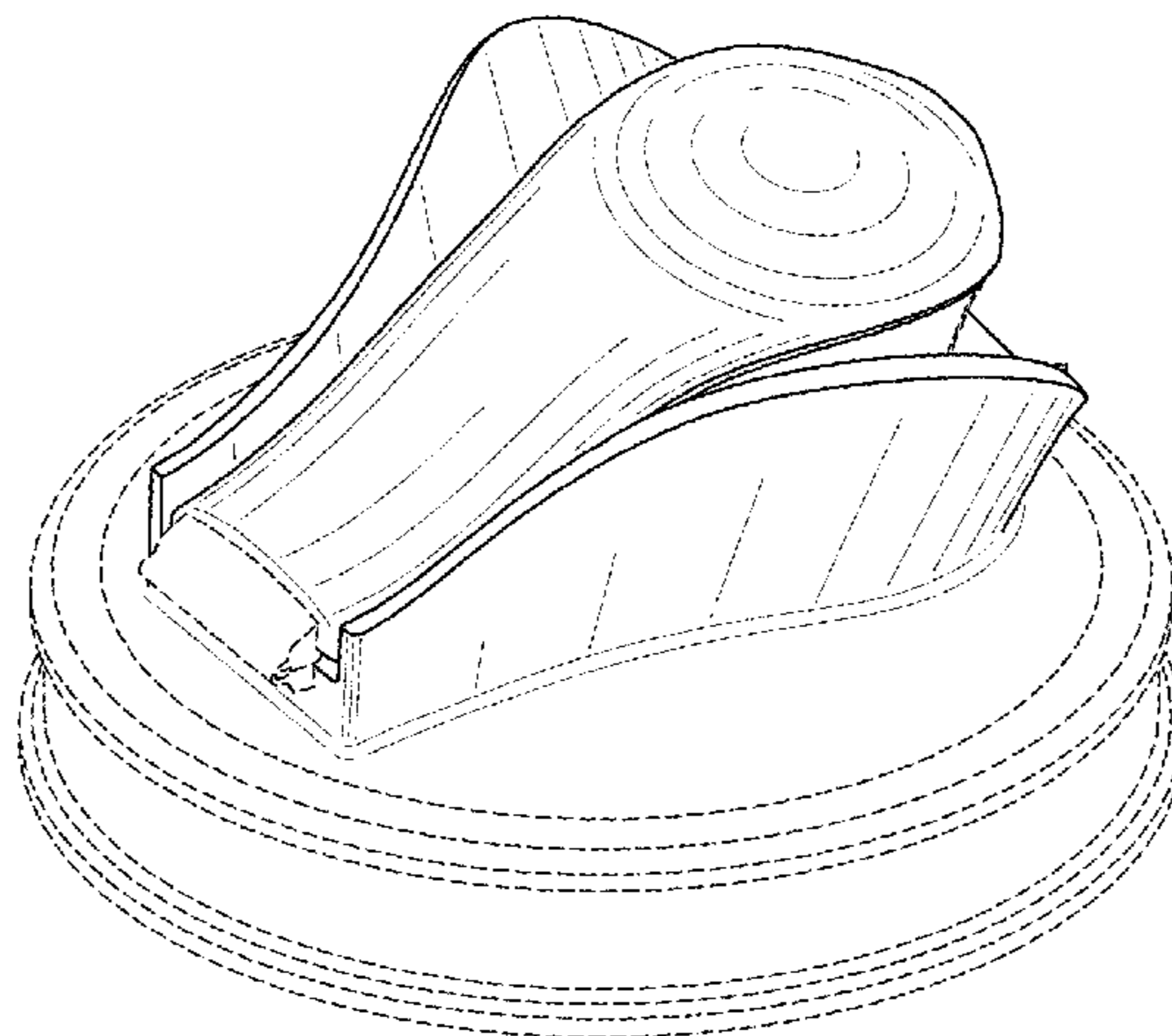
FIG. 5 is a side view of the fluid dispenser.

FIG. 6 is a top view of the fluid dispenser; and,

FIG. 7 is a bottom view of the fluid dispenser.

The broken lines in the drawings depict environmental sub-
ject matter and do not form a part of the claimed design.

1 Claim, 4 Drawing Sheets



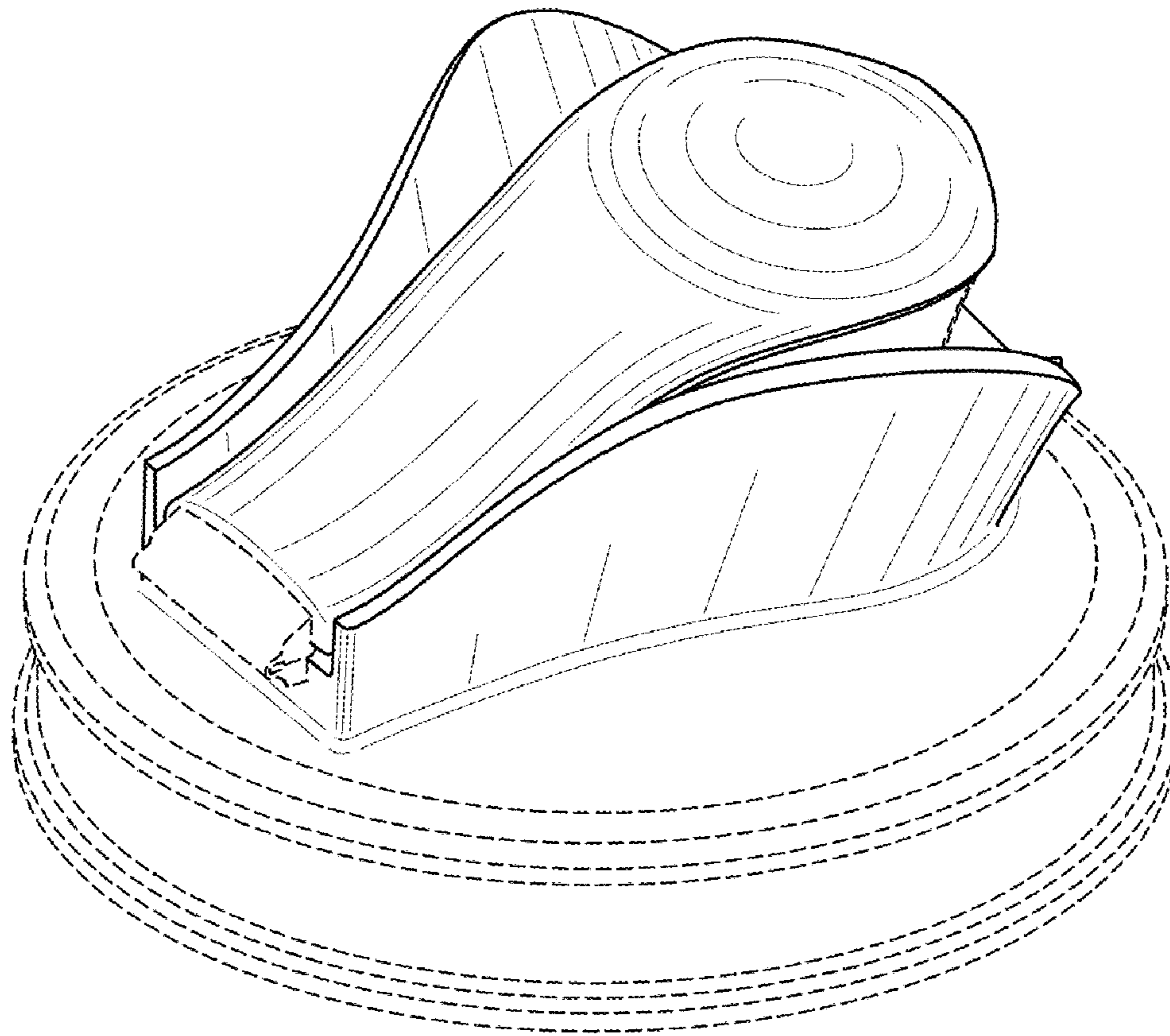


FIG. 1

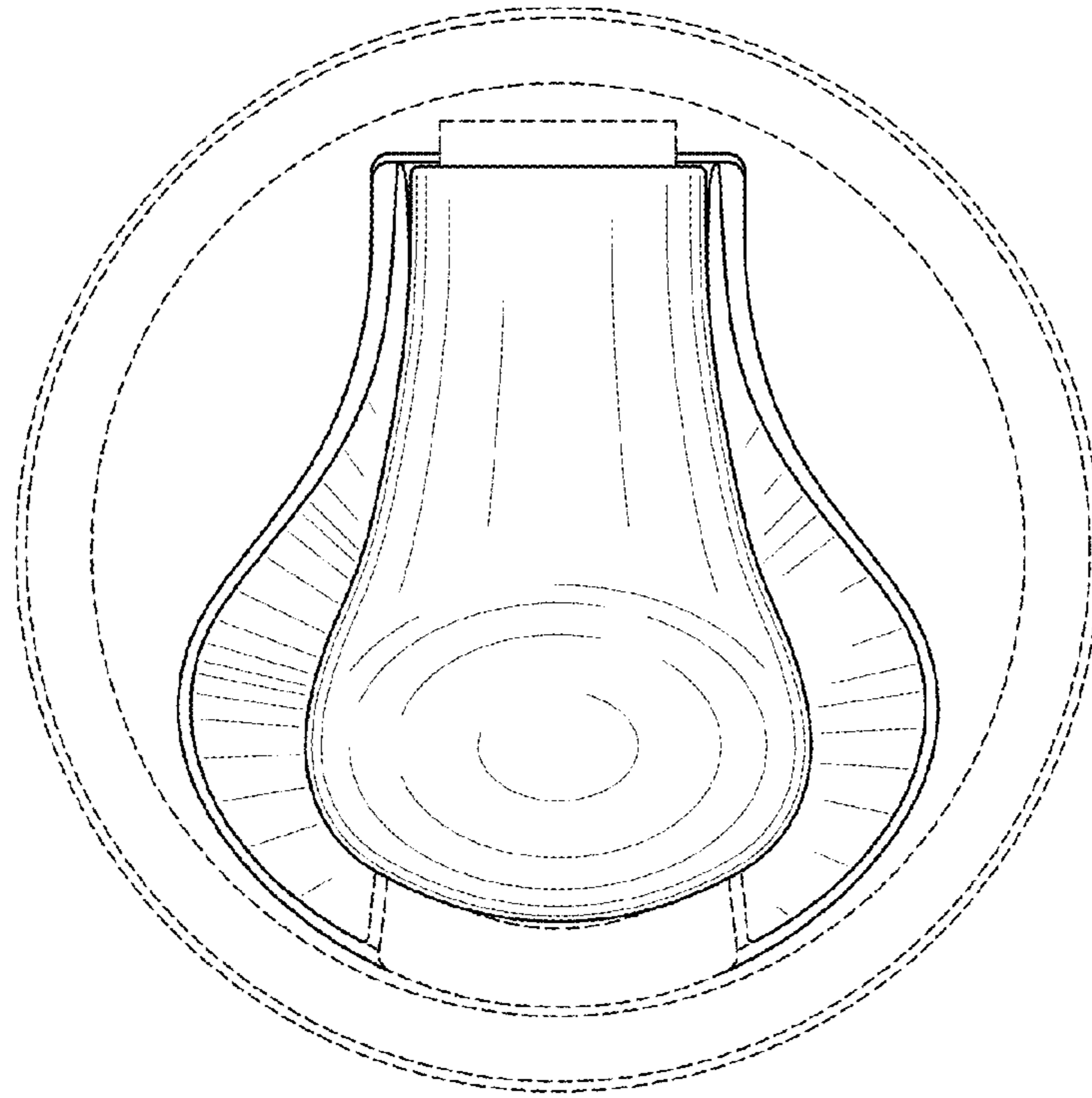


FIG. 2

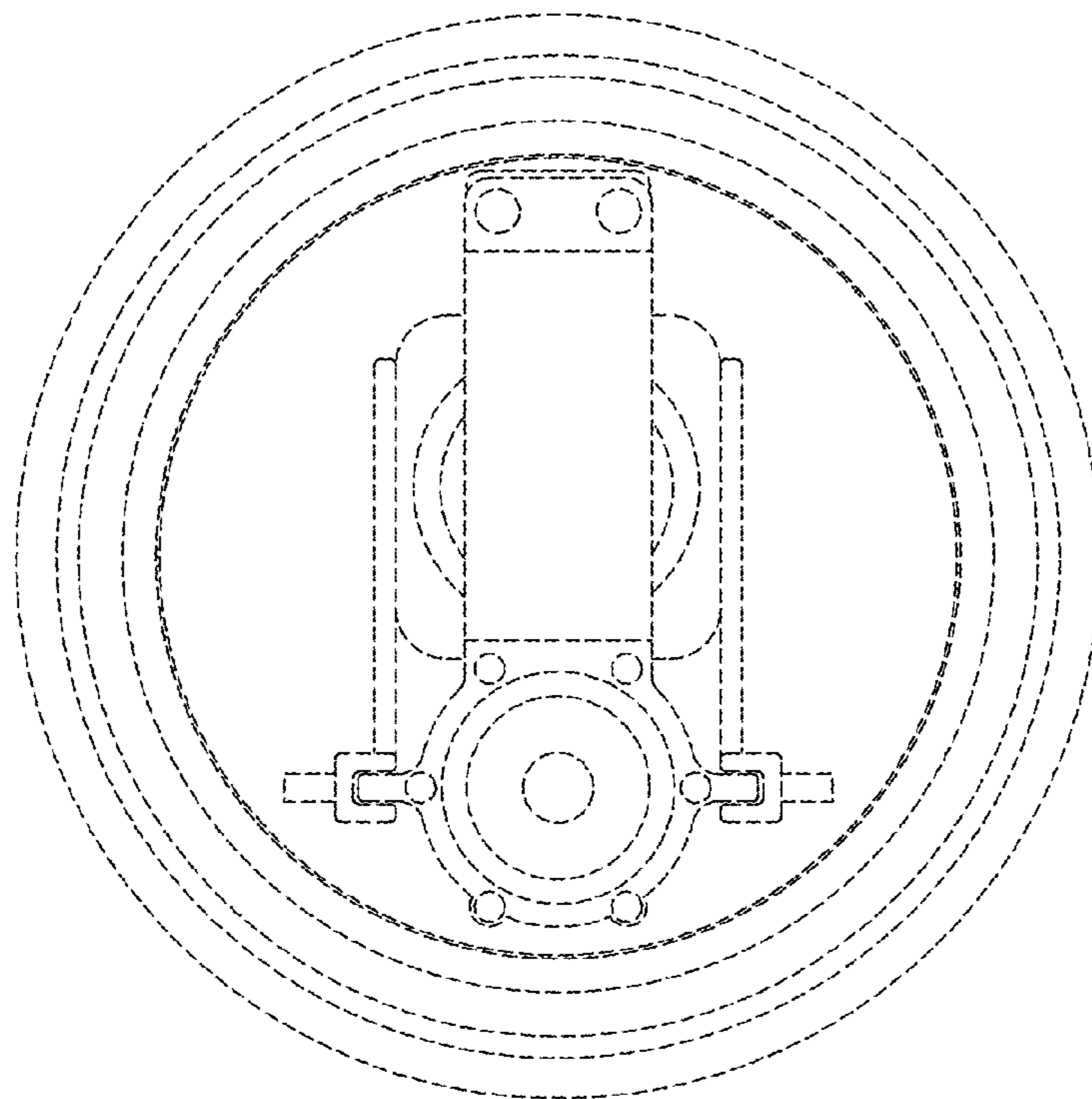


FIG. 3

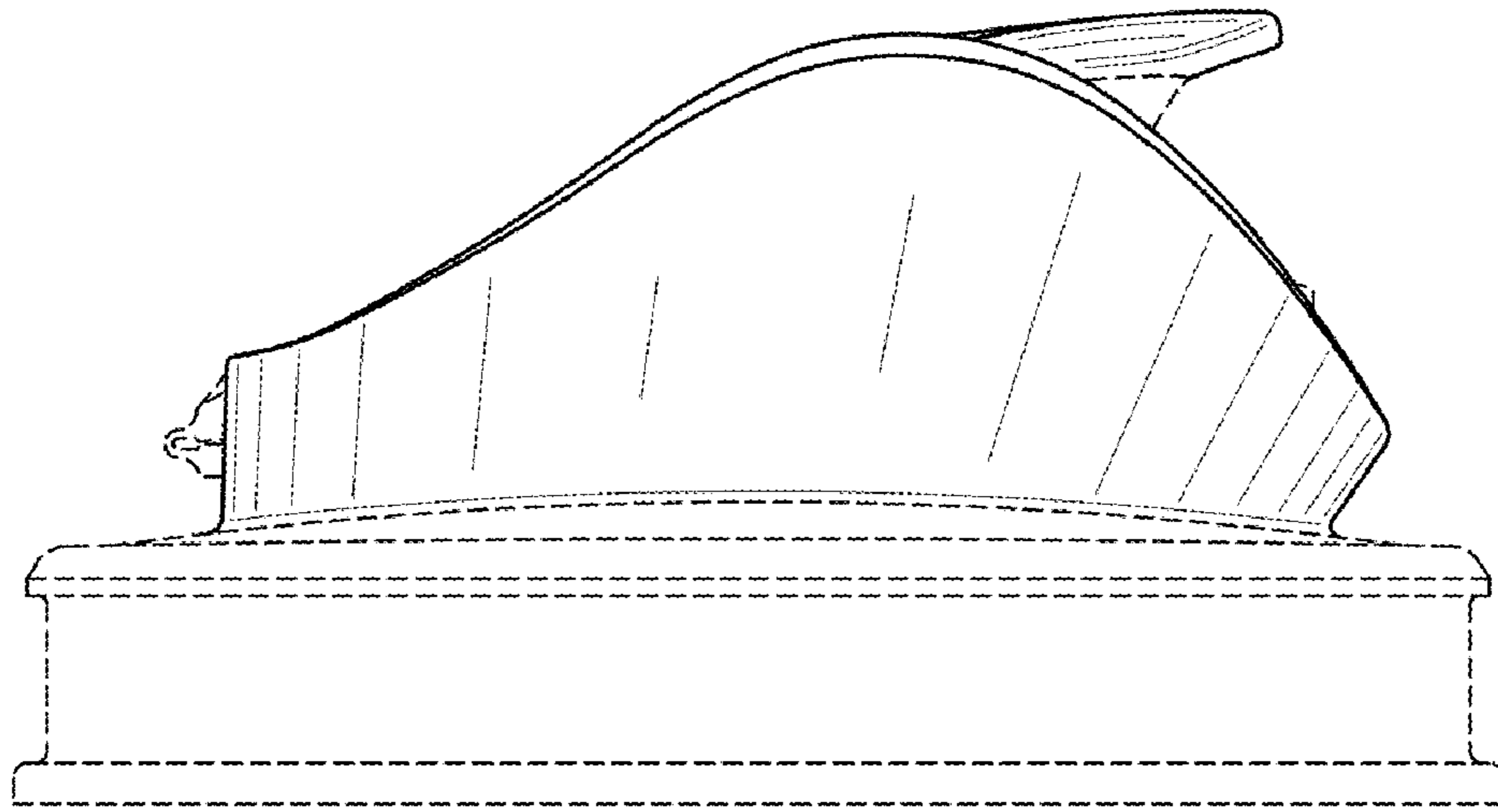


FIG. 4

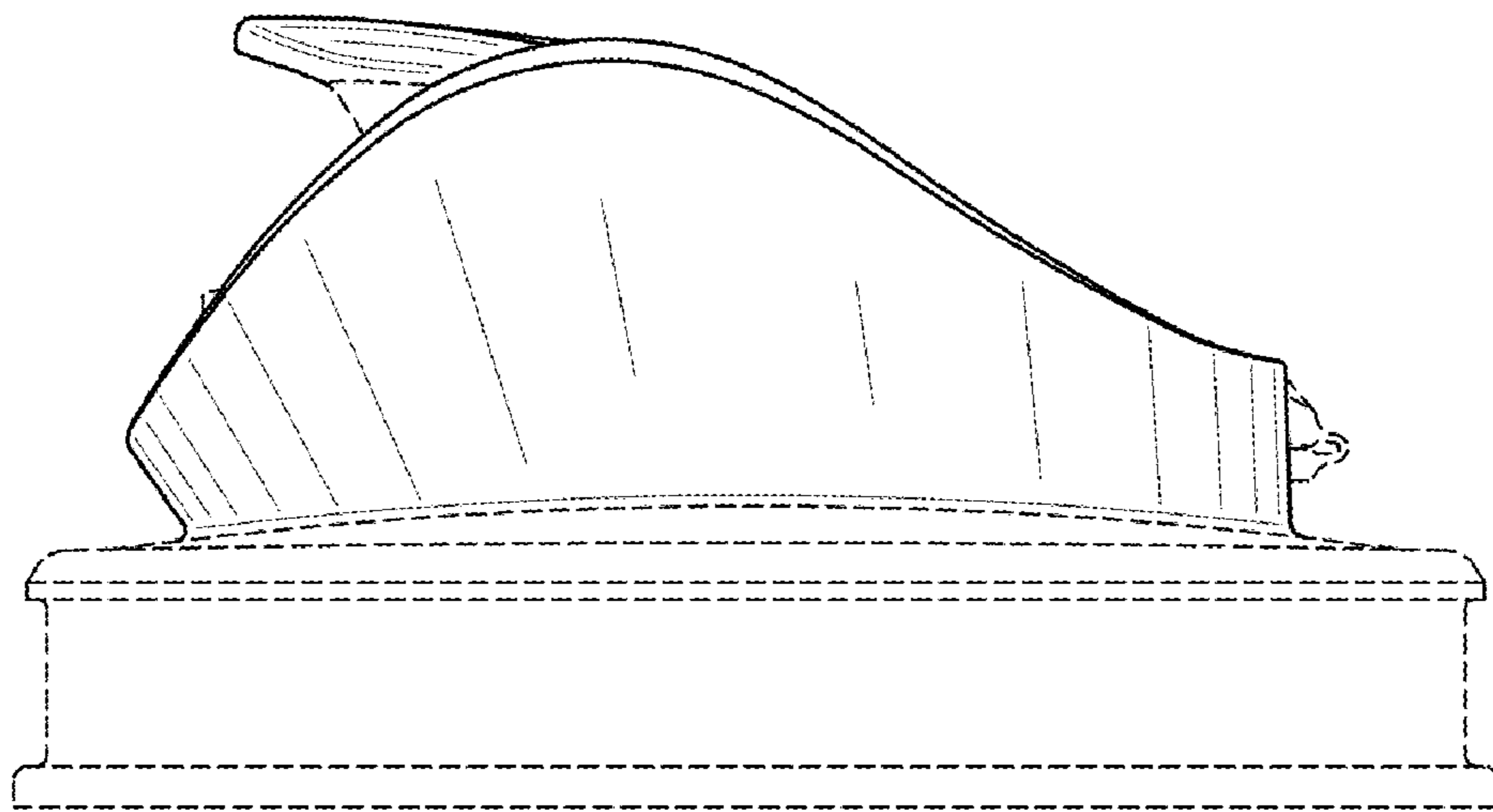


FIG. 5

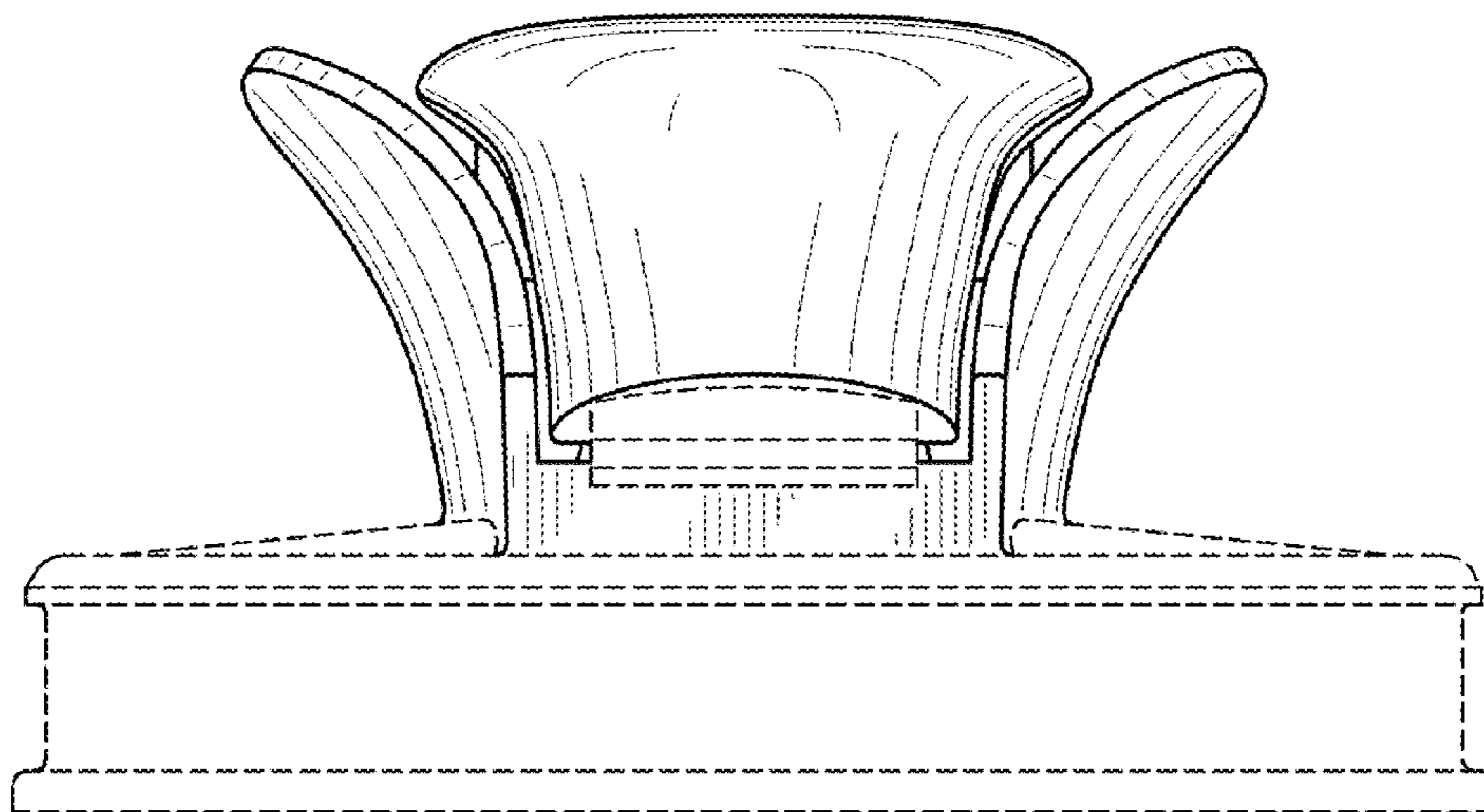


FIG. 6

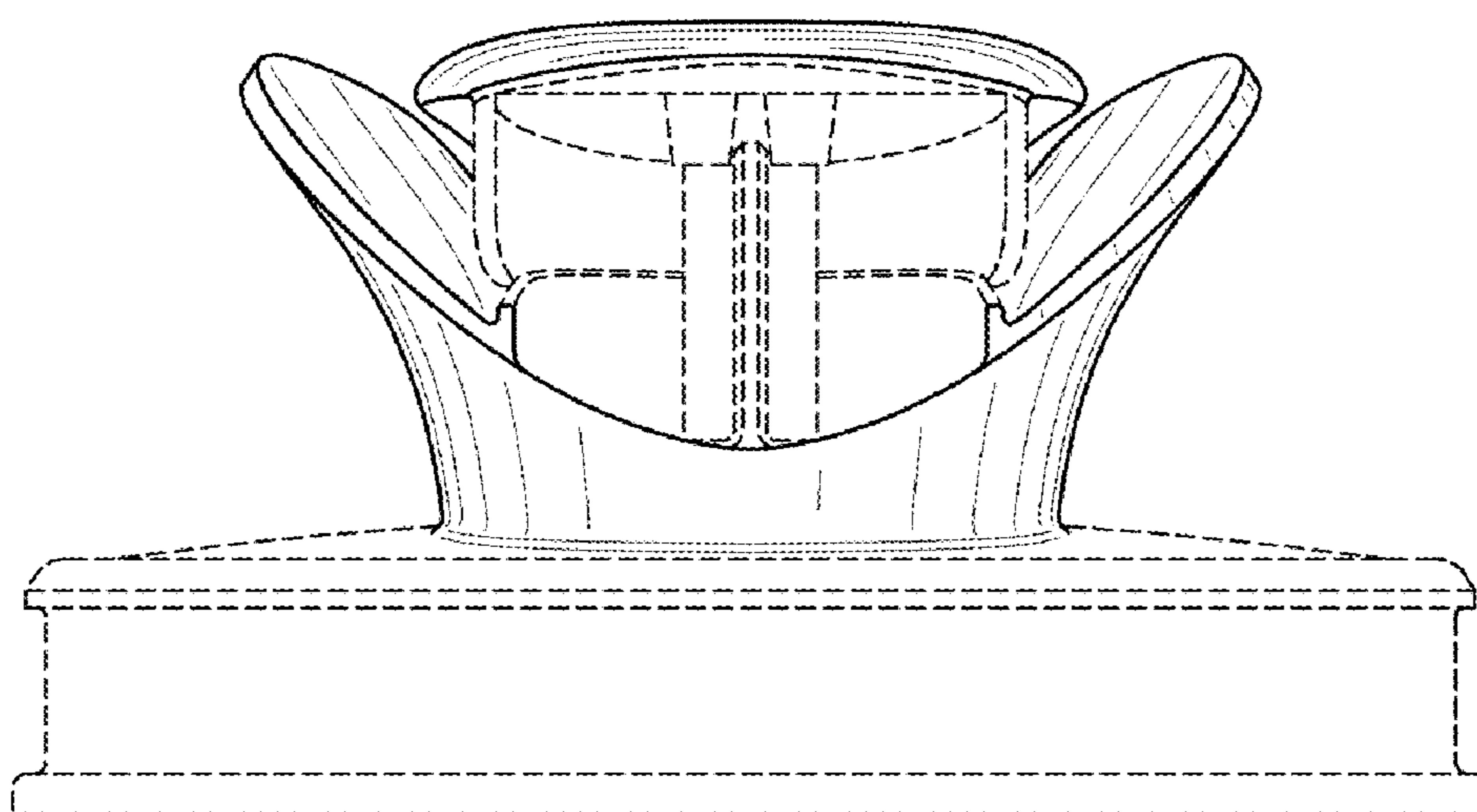


FIG. 7